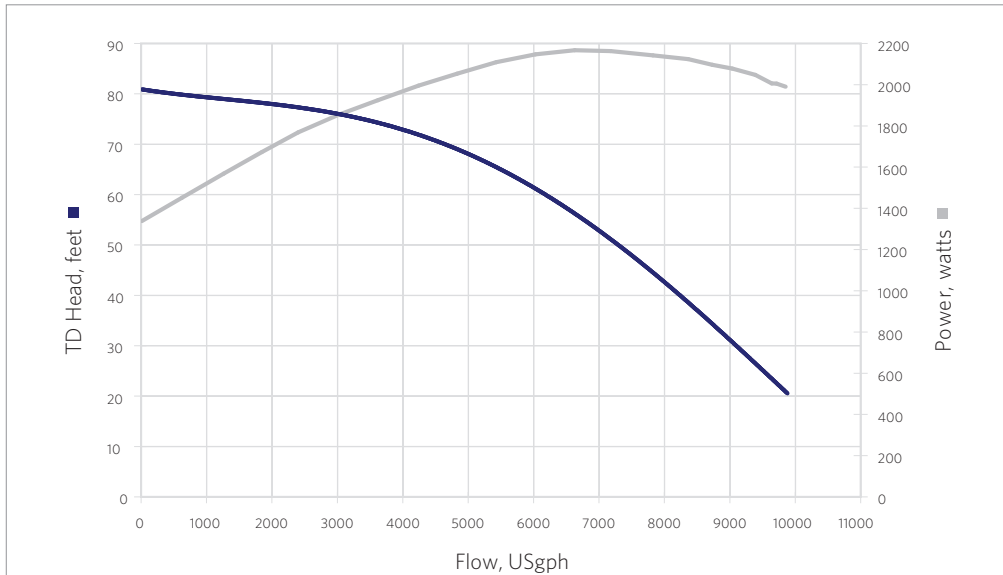


*Dimensions and illustrations are approximate and for reference only.

Sequence® Power 4000 Series - Model 11200PWR81

To support recirculation applications requiring flow rates above 8000 GPH at high head pressures. Achieving over 13,000 GPH and a max of 80 feet of head, the 4000 broadens the performance range in the Sequence Power series.



Flow At Total Dynamic Head	40'	50'	60'	70'	75'
GPM	138	122	102	75	53
GPH	8280	7320	6120	4500	3180



5 YEAR LIMITED WARRANTY

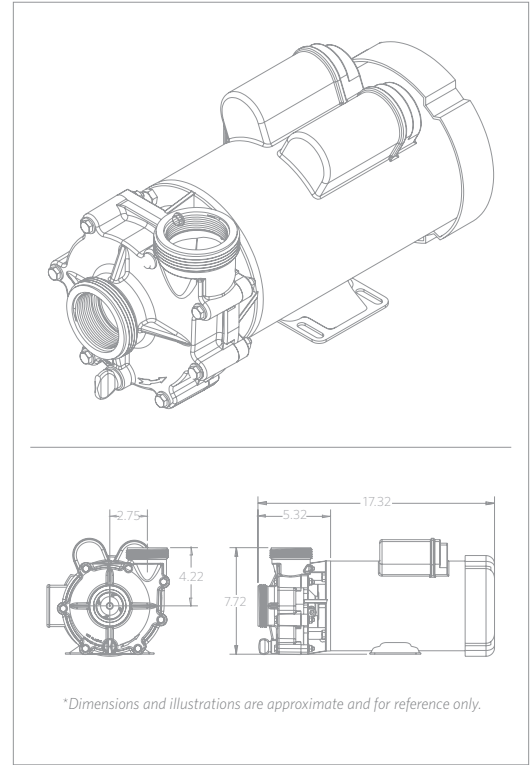


8 FOOT CORD SET



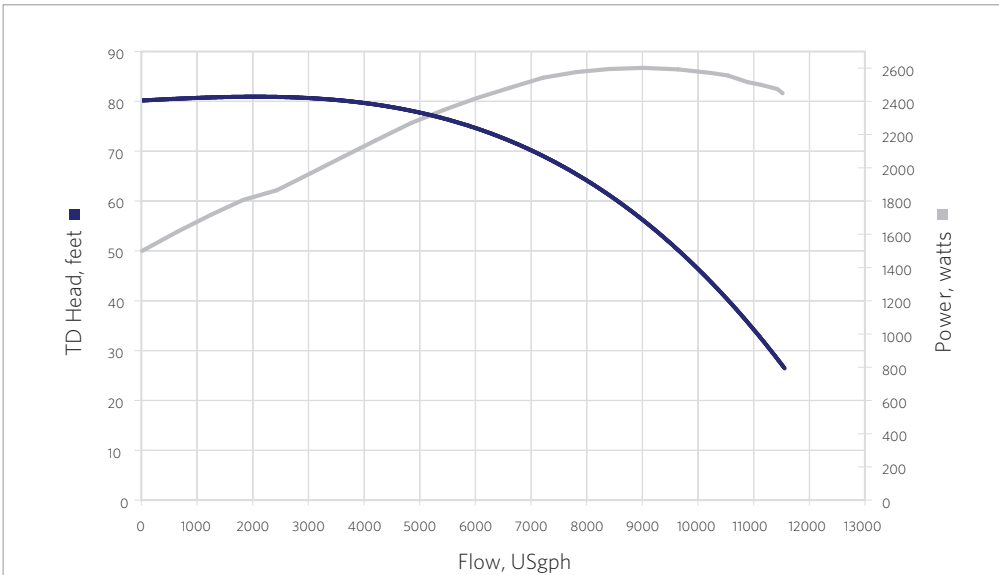
TEFC FAN COOLED MOTOR

MODEL	11200PWR81
INLET	2"
DISCHARGE	2"
MAX FLOW (gph)	11160
MAX HEAD (feet)	80.8'
MAX POWER (watts)	2162
MAX CURRENT (amps)	9.6
@ (volts)	230
MOTOR HP	3
MOTOR TYPE	56J
MOTOR ENCLOSURE	TEFC
IMPELLER	6



Sequence® Power 4000 Series - Model 13200PWR81

To support recirculation applications requiring flow rates above 8000 GPH at high head pressures. Achieving over 13,000 GPH and a max of 80 feet of head, the 4000 broadens the performance range in the Sequence Power series.



Flow At Total Dynamic Head	40'	50'	60'	70'	75'
GPM	175	160	141	117	60
GPH	10500	9600	8600	5500	3600

MODEL	13200PWR81
INLET	2"
DISCHARGE	2"
MAX FLOW (gph)	13200
MAX HEAD (feet)	81.7'
MAX POWER (watts)	2595
MAX CURRENT (amps)	11.5
@ (volts)	230
MOTOR HP	3
MOTOR TYPE	56J
MOTOR ENCLOSURE	TEFC
IMPELLER	7