



PROECO
PRODUCTS

Pressure Filter Instruction Manual

For Models CPF-1600, CPF-2000 and CPF-4000



ProEco Products
www.proecoproducts.com
info@proecoproducts.com

Canada (250) 275-4830
United States (503) 922-2254

450 Conn Road
Lumby, BC Canada V0E 2G4

IMPORTANT SAFETY INSTRUCTIONS

Read all instructions before using this product. When using an electrical appliance, basic precautions should be observed, including the following:

⚠ WARNING:

- Unplug from outlet when not in use and before cleaning or maintenance.
- Do not operate with a damaged power cord.
- Do not pull or carry the product by the power cord.
- If the power cord is damaged it must be repaired by a qualified repair station.
- Use the product only for its intended use.
- Close attention is necessary when used by or near children.
- Store product in a dry place when not in use

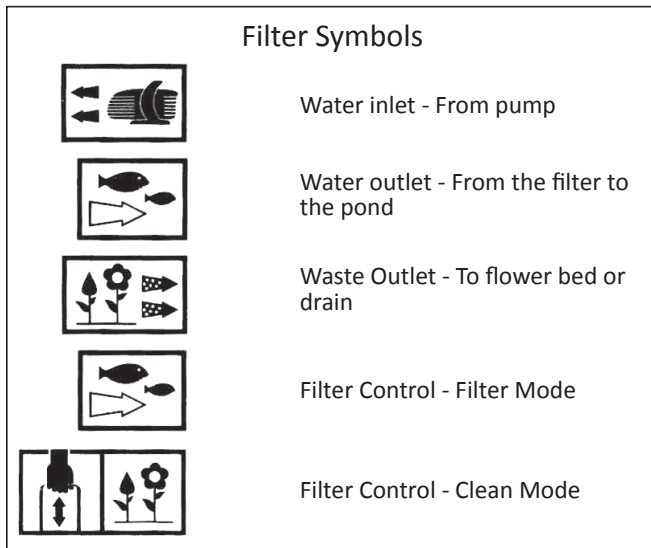
- Only connect unit to a properly grounded outlet (See Grounding Instructions).
- Use only manufacturer's attachments and spare parts.
- Do not operate the UVC lamp outside of the filter housing. The Ultraviolet light from the UVC lamp can be harmful to your eyes and skin.
- Do not operate the pressure filter if it is damaged or defective.
- Always make sure that water is flowing through the filter prior to operating the UVC lamp.

Grounding Instructions

This product must be connected to a grounded wiring system. If it should breakdown or malfunction, grounding provides a safe path of least resistance for electrical current, reducing the risk of electrical shock. The cord for this unit has an equipment-grounding conductor and a grounding plug. It must be plugged into an outlet that is properly installed and grounded in accordance with all local codes and ordinances. Improper connection of the equipment-grounding conductor can result in electrical shock. Check with a qualified electrician if you are unsure if the outlet is properly grounded. Do not modify the plug provided with the product or use any type of plug adapter.

PARTS INCLUDED

- CPF Filter - 1
- Female Hose Tail Adapter - 2
- Male Hose Tail Adapter -1
- Clear Female Hose Tail Adapter -1
- Female Schedule 40 Adapters - 3
- Cap - 1
- Gasket - 4



INSTALLATION GUIDELINES

To insure that your CPF filter functions properly and is not damaged due to excessive head pressure please use the following installation guidelines (Fig. 1).

1. Use a pump with a maximum pressure of no more than 18 feet of head (7.25 psi)
2. Install the unit with a maximum of 6.5 feet of head (2.9 psi) from the filter housing to the highest water outlet height.

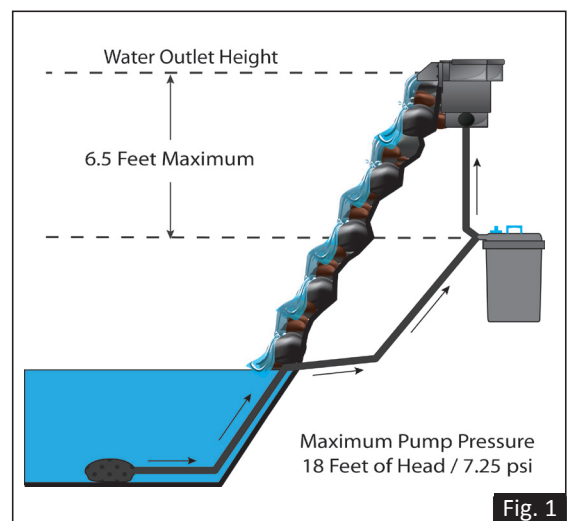


Fig. 1

INSTALLATION

1. Select a location that will allow for easy access for cleaning and maintenance. The filter can be buried in the ground up to Bury Line on the lower filter housing. Make sure the filter is installed on a firm and level base.
2. **Spiral Hose Installation** - When using spiral flex hose use the Hose Tail Adapter Guide to cut off the hose tails to fit the size of hose that is being used. To insure maximum performance it is recommended that the largest diameter hose be used.
3. **Schedule 40 Installation** - When using Schedule 40 rigid pipe or Flex PVC use the included Female Schedule 40 Adapters to connect the hose or pipe to the filter.
4. Connect the supply hose from the pump in the pond to the Water Inlet using a Female Hose Tail Adapter and a gasket.
5. Connect the hose that will return the filtered water back to the pond to the water outlet with a Female Hose Tail Adapter and a gasket (either the Black or Clear adapter can be used). This hose can be used to supply a waterfall or steam but do not exceed the Installation Guidelines in Fig. 1.

OPERATION

1. Check that all hose fittings are secure and that the Waste Outlet is capped prior to operating the filter.

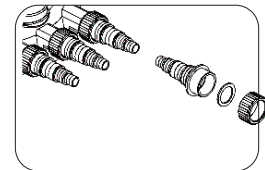
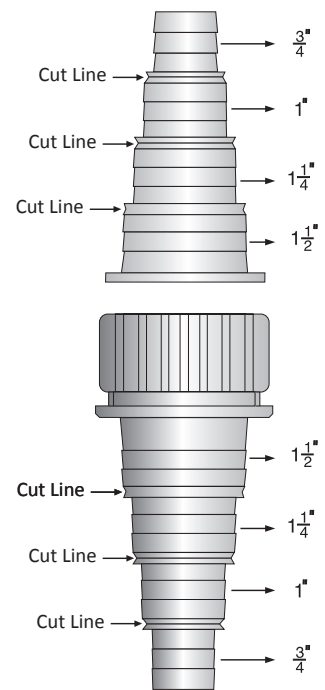
NOTE: During filter operation it is normal that some water will flow from the waste outlet if the waste outlet is not capped. The cap should only be removed during cleaning.

2. Check to make sure that the Filter Control switch is in the Filter Mode.
3. Turn on the pump.
4. Once water is flowing through the filter the UVC can be plugged in. A blue indicator light located in the center of the filter lid under the Cleaning Handle will come on showing that the UVC is working.
5. Check that there are no leaks and the return water is flowing properly.

CLEANING AND MAINTENANCE

1. When the Cleaning Indicator shows that it is time to clean the filter or if the flow of the return hose is significantly reduced it's time to clean the filter.
2. Leave the pump running.
3. Remove the Waste Outlet Cap.
4. Turn the Filter Control switch to Clean Mode. Water will start running out of the Waste Outlet. This water can be directed into a flower bed or into a drain, do not let it run back into the pond.
5. Pull up on the Cleaning Handle and hold it. Dirty water will start to come out of the Waste Outlet, continue to hold up on the handle until the waste water starts to run clean and then let the Cleaning Handle go back down. This is squeezing the foam pads inside the filter and flushing out the waste from the pads. Repeat this 4 or 5 times. The filter should be cleaned. Do not pump the handle up and down, hold up on it each time until the water runs clean.
6. Return the Filter Control switch to Filter Mode and replace the Waste Outlet cap and make sure no water is flowing from the Waste Outlet.

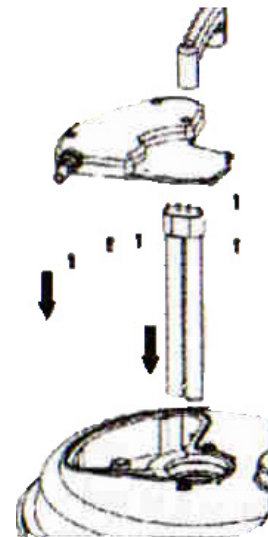
Hose Tail Adapter Cut Guide



CLEANING AND MAINTENANCE - Replacing the UVC bulb.

UVC Bulbs should be replaced annually, they are rated for 9,000 hours of use (there are 8,760 hours in a year)

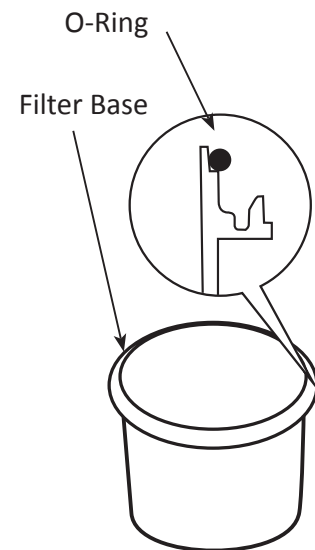
1. Turn off the pump and UVC.
2. Remove the screws on the handle and the UVC cover plate,
3. Remove the UVC bulb and replace it with a new one, being careful not to damage the bulb assembly.
4. Reinstall the UVC assembly into the filter and reinstall the UVC cover plate and handle.
5. Turn on the pump and once water is running through the filter turn on the UVC. Check all fittings for leaks.



CLEANING AND MAINTENANCE - Replacing the foam filter pads.

The foam pads used in the CPF filter are very durable and under normal circumstances shouldn't need to be replaced for many years. Prior to replacing the foam pads make sure that the regular cleaning process won't resolve the problem.

1. Turn off the pump and UVC. Remove all of the hose fittings from the filter.
2. Undo the Lid Clamp and remove the filter lid from the filter base, making sure not to misplace or damage the sealing O-Ring.
3. Remove the screws at the bottom of the foam pad assembly and remove the old foam pads, noting the order and color of the pads.
4. Install the new foam pads in the same order and color as the old pads.
5. Reassemble the foam pad assembly.
6. Clean and place the O-Ring onto the first ledge of the filter base as shown in the diagram to the right. Wetting or lubricating the O-Ring will make reassembling the filter much easier. A small amount of soapy water rubbed on the O-Ring will work well.
7. Carefully position the filter lid back on the base making sure to push it down evenly on the O-Ring.
8. While pressing down on the lid reinstall the lid clamp by starting at the hinge and working around to the clamping mechanism. Once the clamping mechanism is closed push in the clamp lock.
9. Reinstall the hose fittings and turn on the pump and once water is running through the filter turn on the UVC. Check all fittings for leaks.



Limited Warranty

This PROECO product is covered by a 3-year limited warranty by PROECO PRODUCTS. The limited warranty period begins from the date of purchase and covers material and manufacturing defects or failure of the product to operate as specified by PROECO PRODUCTS during the duration of the limited warranty period.

This limited warranty does not cover failure or problems related to:

– Improper installation, see this manual for proper installation procedures.

– Modification of the product in any way including attempts to repair the product by someone other than a PROECO PRODUCTS trained and authorized repair technician.

– Failure to follow proper safety, care and maintenance guidelines as outlined in this manual.

It also does not cover those parts of the product that are subject to normal wear and tear during usage of the product, such as:

– Impellers on pumps

– Filter pads and filter medium in filters

– Lamps in lights and UV clarifiers

PROECO PRODUCTS's sole liability shall be to replace or repair the product covered by this limited warranty. PROECO PRODUCTS shall not be liable for any consequential damage to any other part of the water garden, pond, water feature, landscape, structure, or the contents of any structure where the product is located or used including no liability for damage or harm to fish, animals, or plants in or around the water garden, pond or water feature.

THE EXPRESS WARRANTIES SET FORTH HEREIN ARE THE ONLY WARRANTIES WITH RESPECT TO THE PRODUCTS, AND THE REMEDIES SET FORTH HEREIN ARE THE EXCLUSIVE REMEDIES IN THE EVENT OF A BREACH OF SUCH WARRANTIES. PROECO PRODUCTS EXPRESSLY DISCLAIMS ANY IMPLIED WARRANTY OF MERCHANTABILITY OR FITNESS FOR A PARTICULAR PURPOSE. PROECO PRODUCTS SHALL NOT BE LIABLE UNDER ANY CIRCUMSTANCES FOR INCIDENTAL OR CONSEQUENTIAL DAMAGES OF ANY NATURE, FOR ANY BREACH OF SUCH WARRANTIES OR OTHERWISE. Some states do not allow the exclusion or limitation of incidental or consequential damages, to the above limitation may not apply to you.

Should your PROECO PRODUCTS product be defective or fail under the terms of this limited warranty, you should return the product to your PROECO PRODUCTS dealer, along with your original receipt of purchase and any other limited warranty documentation you have, for replacement or repair. Should you have any question about this limited warranty, please contact PROECO PRODUCTS at info@proecoproducts.com