



PORTABLE POWER STATION

PIONEER200 / PIONEER330 / PIONEER500

USER MANUAL

Empower Your Life, Empower Your World

■ CONTENT

SAFETY INSTRUCTIONS	1
OPERATION GUIDE	2
GENERAL SPECIFICATIONS	7
MAINTENANCE	10
TROUBLESHOOTING	11
WARNINGS	12
WARRANTY	13

■ SAFETY INSTRUCTIONS

IMPORTANT SAFETY INFORMATION

To ensure safe operation and service of the meter, read and understand all instructions. Failure to follow all instructions may result in severe injury or property damage. The loss caused by wrong use of PIONEER is not covered by our Warranty.

CHARGE NOW

Please FULLY charge PIONEER as soon as possible when delivered. Due to the longtime of transportation and storage, Batteries of PIONEER may go to sleep mode. Plug your PIONEER into the wall over 10 minutes will active the batteries again. If charging doesn't work, please ask our customer service support@togopower.com for help.

Notice:

Noted that when turning on the AC Button but not use the outlets, there may be some watts of AC outputs shown in the LCD. That' s a normal display caused by the no-load discharge. It is recommended that turning off the output button(s) when not in use.

■ OPERATION GUIDE

FUNCTION BUTTONS



Power ON/OFF Button



DC Outputs Power ON/OFF Button



USB Outputs Power ON/OFF Button



AC Outlet Power ON/OFF Button



LED Lighting & Flashlight ON/OFF Button

A: POWER ON/OFF

POWER ON/OFF BUTTON is the master switch. Press POWER ON/OFF BUTTON to activate the DC/USB/AC BUTTONS.

B: DC OUTLET POWER ON/OFF

The DC output ports will NOT function until the DC OUTPUTS POWER ON/OFF BUTTON is pressed to activate.

C: USB OUTPUTS POWER ON/OFF

The USB-A output port and USB-C output port will NOT function until the USB OUTPUTS POWER ON/OFF BUTTON is pressed to activate.

D: AC OUTLET POWER ON/OFF

The AC Outlet will NOT function until the AC OUTLET POWER ON/OFF BUTTON is pressed to activate.

E: LED LIGHTING & FLASHLIGHT

Press LED LIGHTING & FLASHLIGHT BUTTON once to turn on the flashlight, press it again to turn on the LED LIGHTING.

Press LED LIGHTING & FLASHLIGHT BUTTON over 3 seconds to turn on the SOS mode.

WIRELESS CHARGER (Not applicable for P200)

Press ON/OFF Button A before charging. Press NO/OFF Button to shut down the output.

■ OPERATION GUIDE

POWERING / CHARGING DEVICES

Select the type of outputs required by pressing the DC/USB/AC OUTPUT ON/OFF BUTTON. The output ports will NOT function until the appropriate button(s) is pressed to activate the ports. When output port(s) is activated, the indicator on the button will illuminate green, indicating that the output(s) are active, and the LCD display will turn on and provide details on the charging output.

Press the ON/OFF BUTTON(s) to shut down the output(s) when not in use.

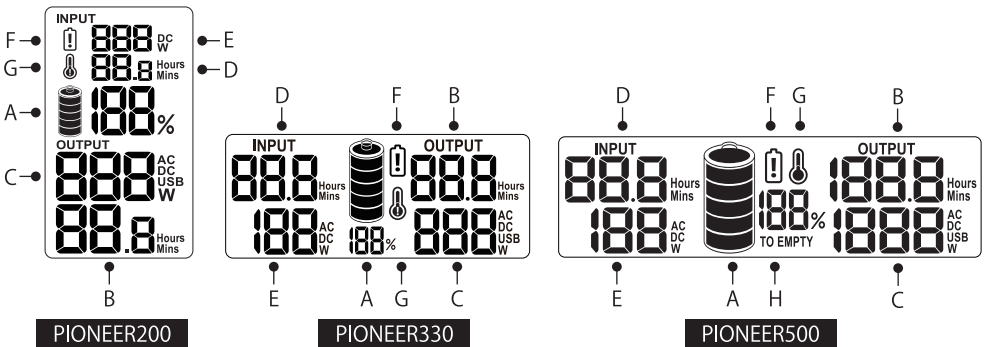
PASS-THROUGH CHARGING

The advanced battery management system of the PIONEER allows it to charge a connected device via DC outputs & USB outputs & AC output while charging the PIONEER .

OVERLOAD CONDITION

If an overload condition occurs on the OUTPUT ports, PIONEER will:
Automatically turn off Outlet power.

LCD FEATURES



A: Battery Level

D: Remaining Charging Time

G: Temperature Warning

B: Remaining Usage Time

E: Input Power

H: Low Battery Alarm

C: Output Power

F: Low Voltage Warning

■ OPERATION GUIDE

DETAILS DISPLAYED ON LCD

Battery Level: The battery level is provided by the percentage of battery charge corresponding to the number of bars and percentage displayed.

PLEASE BE AWARE that this value can adjust multiple times as the energy draw changes from the connected devices. This is evident during the initial activation of ports with a connected device.

RECOMMENDED back to charge the PIONEER when battery indicates less than 20%.

Note that when you first plug in a power source, whether it's a solar panel or a wall charger, the PIONEER may take a minute to detect and adjust its charge circuitry before it starts drawing power from the source.

Remaining Charging Time: The PIONEER can provide remaining charging time in hours and minutes.

Input Status: The PIONEER can provide input energy in watts.

Remaining Usage Time: The PIONEER can provide remaining usage time in hours and minutes.

Output Status: The display will provide the total output watts of the Cigarette Lighter Port, USB-A, USB-C and AC Outlet(s).

Low Voltage Warning: If the Low Voltage Warning indicator is on, please recharge the power station.

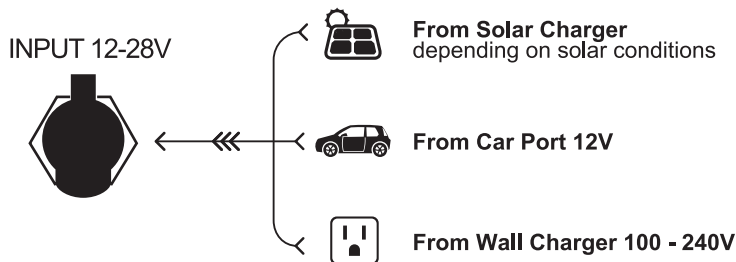
Temperature Indicator: The Temperature Indicator lights on means the battery temperature of PIONEER is too low/high. All function of input and output will be stopped until the battery temperature returns to the working range.

Low Battery Alarm: The "TO EMPTY" Light on means the battery is lower than 20% and you should recharge it as soon as possible to make the battery lifetime service longer.

NOTICES: When no outputs are activated, the LCD Screen Light will automatically turn off after 2mins and the LCD Screen will automatically shut down after 3 hours.

■ OPERATION GUIDE

HOW TO CHARGE



RECOMMEND TO DISCONNECT THE PIONEER WHEN FULLY CHARGED.

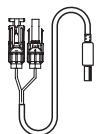
OPERATING INSTRUCTIONS

CHARGING PIONEER

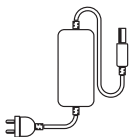
Connect the provided AC Wall Power Adapter to Input Port, and allow PIONEER to fully charge prior to use. When charging, the LCD Screen will be illuminated, and the LCD display will show battery level, PIONEER is fully charged when it shows 100%.

It is recommended to FULLY charge PIONEER every 3 months to maintain the health of the battery pack.

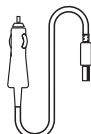
ACCESSORIES



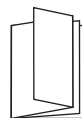
• 18V with MC4 Connector Cable



• AC Wall Plug Power Adapter



• 12V Car Charger Cable



• User Manual

NOTICES:

Check the input charge cable. The ports will be efficient when the input charge cable meets the specification outlined in the GENERAL SPECIFICATIONS section.

- Only charge PIONEER with provided AC wall power adapter.

■ OPERATION GUIDE

WHAT IT POWERS



Laptops
(41.4Wh)



32" TV
(60W)



CPAP without heated
humidifier (15W)



Mini Fridge
(40W)



DJ Drone
(89.2Wh)



Smartphone
(10Wh)



GoPro
(5.9Wh)



Floodlight
(4W)



Switch
(16Wh)

CANNOT POWER



Hair Dryer
(600W)



Tea Kettle
(800W)



Electric Oven
(750W)



Heater
(800W)



Electric Cooker
(700W)

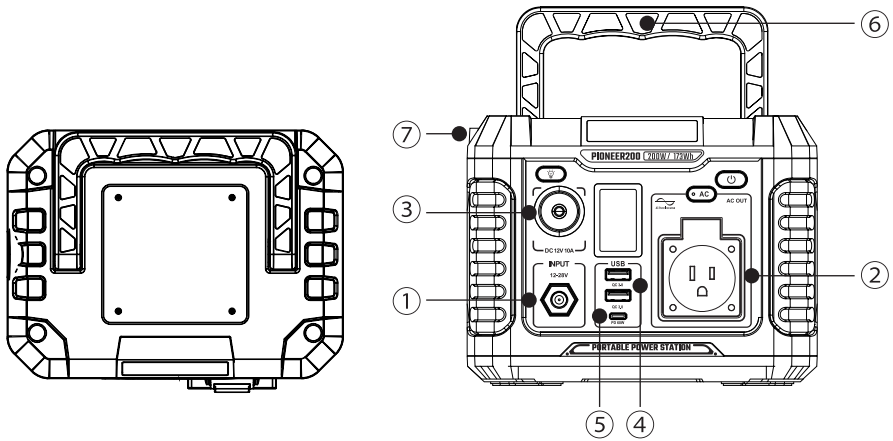


Induction cooker
(1300W)



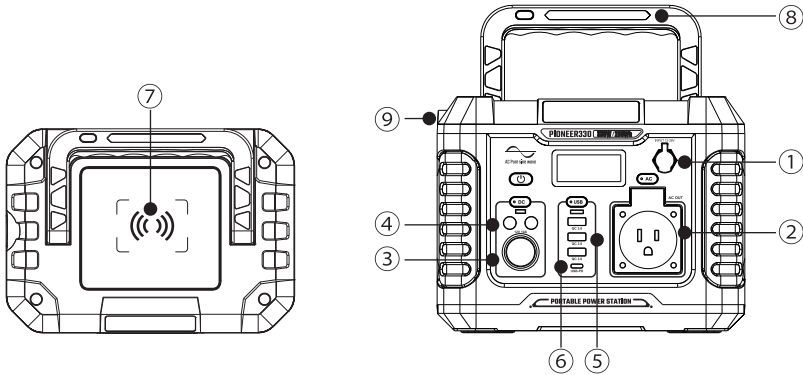
Please power/charge the electric devices within the rated power of power station;
The Watts/ Watt Hours of electric devices just for your reference.
Please check the device's user manual for the actual power Watts.

■ GENERAL SPECIFICATIONS



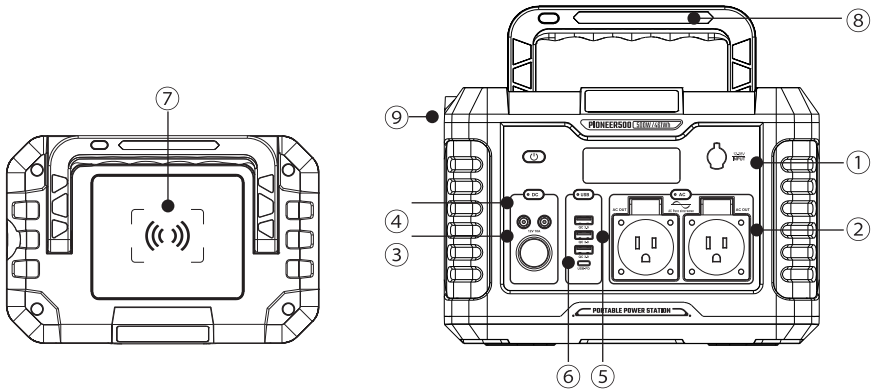
Name	Specification
Model	PIONEER 200
Battery	18650 Lithium Battery
Capacity	173Wh (22.2V 7.8Ah)
Dimensions	L192 x W142 x H148 mm
Weight	5.5lbs (2.5kg)
Charging Temperature	32 to 104°F (0 to 40°C)
DC Input ①	12-28V, 60W Max
AC Outlet ②	1x 120V, 60Hz 200W, 400W surge
Cigarette Lighter Port ③	1x 12V/10A
USB-A Ports ④	2x 5V/9V/12V, up to 3A, total 36W Max
USB-C Port ⑤	1x 5V/9V/12V/15V/20V, 3A, 60W Max
LED Lighting ⑥	1x 0.5W
Flashlight (SOS Mode) ⑦	1x 1W

■ GENERAL SPECIFICATIONS



Name	Specification
Model	PIONEER 330
Battery	18650 Lithium Battery
Capacity	288Wh (22.2V 13Ah)
Dimensions	L230 x W168 x H178 mm
Weight	8.58lbs (3.9kg)
Charging Temperature	32 to 104°F (0 to 40°C)
DC Input ①	12-28V, 60W Max
AC Outlet ②	1x 120V, 60Hz 330W, 660W surge
Cigarette Lighter Port ③	1x 12V/10A
DC Ports ④	2x 12V/10A
USB-A Ports ⑤	3x 5V/9V/12V, up to 3A, total 54W Max
USB-C Port ⑥	1x 5V/9V/12V/15V/20V, 3A, 60W Max
Wireless Charger ⑦	1x 10W
LED Lighting ⑧	1x 0.5W
Flashlight (SOS Mode) ⑨	1x 1W

■ GENERAL SPECIFICATIONS



Name	Specification
Model	PIONEER 500
Battery	18650 Lithium Battery
Capacity	461Wh (22.2V 20.8Ah)
Dimensions	L290 x W201 x H200 mm
Weight	13.42lbs (6.1kg)
Charging Temperature	32 to 104°F (0 to 40°C)
DC Input ①	12-28V, 100W Max
AC Outlet ②	2x 120V, 60Hz 500W, 1000W surge
Cigarette Lighter Port ③	1x 12V/10A
DC Ports ④	2x 12V/10A
USB-A Ports ⑤	3x 5V/9V/12V, up to 3A, total 54W Max
USB-C Port ⑥	1x 5V/9V/12V/15V/20V, 3A, 60W Max
Wireless Charger ⑦	1x 10W
LED Lighting ⑧	1x 0.5W
Flashlight (SOS Mode) ⑨	1x 1W

■ MAINTENANCE

MAINTENANCE

Recharge as needed. There are no pre-designated intervals at which to recharge as long as the PIONEER is being used regularly. Avoid discharging completed on a regular basis, as this can impact overall life. Periodically inspect all ports and wall chargers for any debris, dirt, damage, and corrosion. DO NOT attempt to fix it. DO NOT cover the PIONEER with towels, clothing, or other items. Regularly observe if the side vents are collecting dirt or dust, and clean following cleaning procedures noted in manual.

CLEANING

Be sure that PIONEER is disconnected from all input power sources and output devices. Use a clean, dry, soft-lint-free cloth to wipe it down. Remove any debris, dirt, or other blockages on both side vents. When cleaning debris from the side vents, do not allow the debris, dirt, or other blockages to enter the body of PIONEER.

DO NOT use abrasive cleaners or solvents.

DO NOT use compressed air to clean side cooling vents, as this will force foreign particles into the internal circuitry.

To avoid the risk of electrical shock, DO NOT use metal objects to clean ports.

STORAGE

If storing for more than 1 month, charge completely before storage and recharge approximately every 3 months to avoid full discharge and possible damage. Storing indoor, in cold temperatures, mild humidity, and away from direct sunlight (See GENERAL SPECIFICATIONS section).

Leaving in a vehicle or other confined spaces in extremely hot temperatures can lead to decreased service life, overheating, and fire. Extreme cold conditions below specific storage range can also harm PIONEER performance and service life. Keep away from corrosion chemicals and gases. After taking out of storage, visually inspect to make sure PIONEER and all accessories look satisfactory. This increase reviews the intake and exhaust side vents to ensure they are clear of debris. Allow PIONEER to return to ambient conditions before recharging or charging other devices.

DISPOSAL/RECYCLE

Do not place equipment and its accessories in the trash. Items must be appropriately disposed of in accordance with local regulations. See local government laws for additional information.

■ TROUBLESHOOTING

PIONEER WILL NOT CHARGE OR OPERATE CONNECTED DEVICES:

Ensure that the DC/USB/AC output ports are activated by pressing the DC/USB/AC OUTPUT ON/OFF BUTTON(S) for the port(s) in use.

- Confirm the connected device is suitable for the PIONEER by reviewing the outputs specifications provided in the GENERAL SPECIFICATIONS section.
- Confirm PIONEER is charged by reviewing the Battery Level.
- Verify the watt data displayed on the LCD Screen for an overload condition.

PIONEER WILL NOT BE CHARGED:

Confirm that the wall plug power adapter's cord is inserted fully into the DC Input .

- Confirm that the AC wall plug power adapter is the charger provided with PIONEER.
- If the input does not comply with the requirements located in the GENERAL SPECIFICATIONS section, the Low Watt range 0 to 10 may be displayed on INPUT STATUS of LCD screen.
- *Please charge PIONEER when you get it. Long time storage PIONEER will cause failure to start. Try charging for more than ten minutes to restart it. If none of these attempts work, you can contact customer service for help.

CAUTIONS

Transportation: PIONEER complies with all legal requirements for the transport of dangerous goods. The capacity of the lithium battery pack exceeds 100Wh. Based on international standards, if PIONEER is transported by airplane, it must be transported by IATA standard packaging. IATA instructions and labeling requirements and the relevant declarations must be completed.



Not permitted on aircrafts.



Avoid dropping.



To preserve the battery lifespans, please use and recharge at least once every three months.



Do not disassemble.



Use original or certified charger and cables.



It's not waterproof, do not expose to liquids.



Avoid extreme temperature.



Please dispose of batteries and electronic goods by local regulations.

■ WARNINGS

The warnings in this manual cannot cover all possible conditions or situations that could occur.

Using the PIONEER with common sense and caution. Always be aware of the environment and ensure that the PIONEER is used in a safe and responsible manner.

- **DO NOT** use the PIONEER over its output rating. Overload outputs above rating may result in a risk of fire or injury to persons, even though we have built-in overload protection.
- **DO NOT** use the PIONEER or AC Wall plug power adapter if it is damaged or has been modified. Damaged or modified batteries may exhibit unpredictable behavior resulting in fire, explosion, or risk of injury.
- **DO NOT** subject to vibration, impacts, or drops. Secure the PIONEER during transport. The housing may not show signs of damage, but internal components may have been compromised. It is advisable to replace it if any such severe events occur.
- **DO NOT** expose the PIONEER to moisture, rain, or snow.
- **DO NOT** charge, use or store the PIONEER in a bathroom or an area exposed to rain or moisture.
- **DO NOT** leave children or the persons, who with reduced physical/sensory or mental capabilities/or lack of experience and knowledge, along with the PIONEER unless they have been given supervision or instruction concerning use of it by a person responsible for their safety.
- **DO NOT** attempt to repair the PIONEER or AC Wall plug power adapter.
There are no user-serviceable components inside.
- **DO NOT** handle the PIONEER with wet hands.
- **DO NOT** place the PIONEER on its side or upside down while in use or storage.
If rust, odor, overheating, or other abnormal circumstances are observed, stop using and contact customer service.
- Children should be supervised to ensure that they DO NOT play with the PIONEER alone.
- The PIONEER is only used for the emergency power station. It cannot replace the standard AC or DC power of household appliances or digital the PIONEER.
- Keep away from high voltage electrical fields.
- Risk of fire and burns. DO NOT open, crush, heat above 104°F (40°C) or incinerate.
- Use of a power supply, charger, or cable not recommended or sold by portable battery manufacturers may result in a risk of fire or injury to persons.
- Should fluid from the inside of the PIONEER come in contact with your skin or clothing, wash the affected areas with tap water.
- The accessories included in the box should only be used with the PIONEER.
- **KEEP PIONEER AWAY FROM PETS.**

■ WARRANTY

BALDR provides a limited warranty for the original consumer purchaser, which covers the BALDR the products from defects in workmanship and material under consumer for 12 months from the date of purchase. In order to establish the start date of the warranty period, the sales receipt from the first consumer purchase, or other reasonable documentary proof is required BALDR's warranty does not apply to (i) any the product that is misused, abused, modified,damaged by accident, or used for anything other than normal consumer use as authorized in BALDR's current the product literature, or (ii) any the product purchased through an online auction house.

To know more and obtain warranty service, contact our customer service team at support@togopower.com .

STATEMENT

© Copyright BALDR. All rights reserved. All trademarks cited herein are the property of their respective owners.

The information contained herein is subject to change without notice. The only warranties for BALDR the products and services are outlined in the warranty statements accompanying such the products and services. BALDR shall not be liable for technical or editorial errors or omissions contained herein.





CONTACT US



322 Paseo Tesoro, Walnut, CA 91789



support@togopower.com



1-855-801-0798



www.togopower.com