



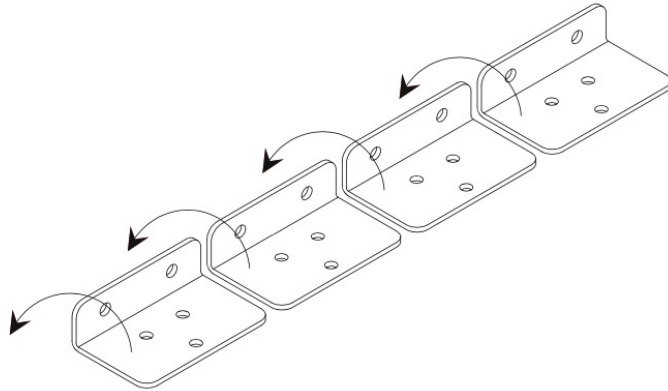
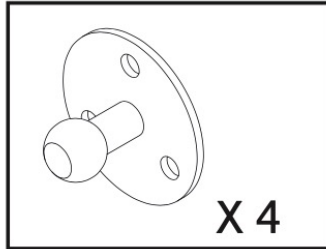
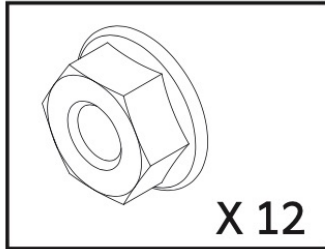
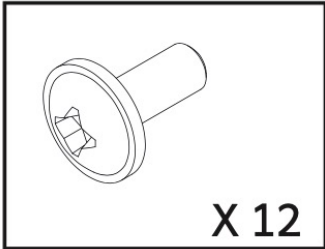
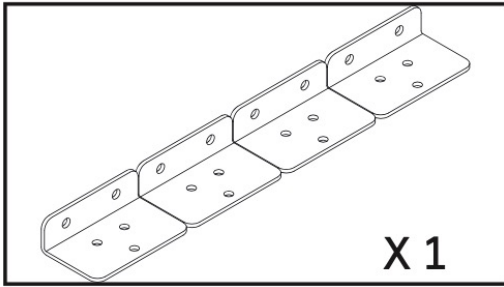
# INSTRUCTION MANUAL

## GF-CART SERIES

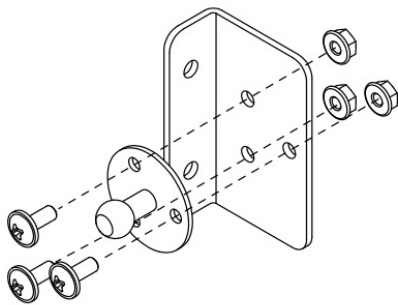
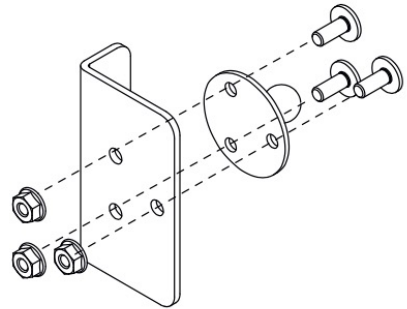
GF-CART 40 (1 door)

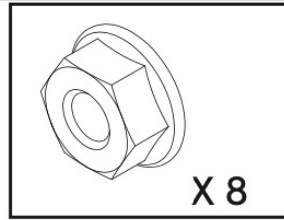
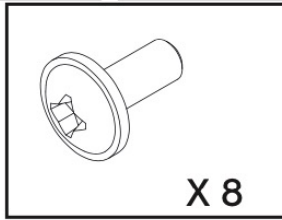
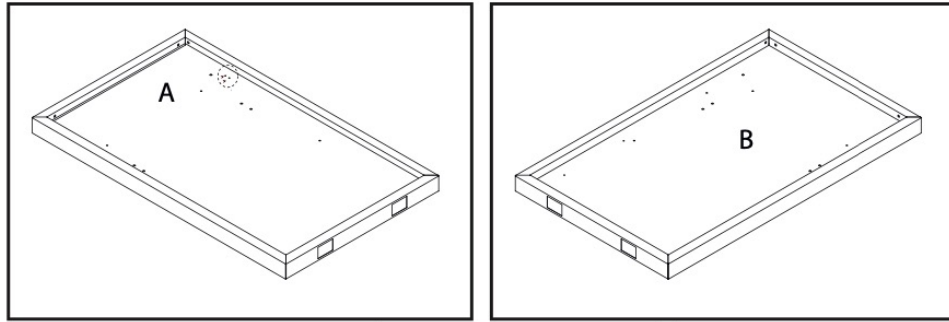
GF-CART 75 (2 doors)

GF-CART 105 (2 doors)

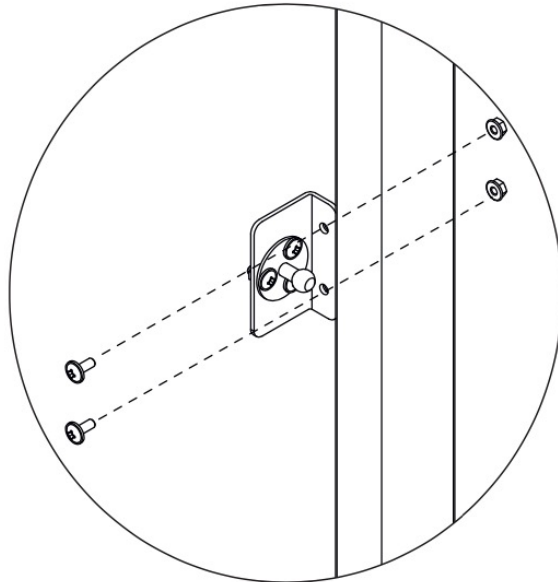
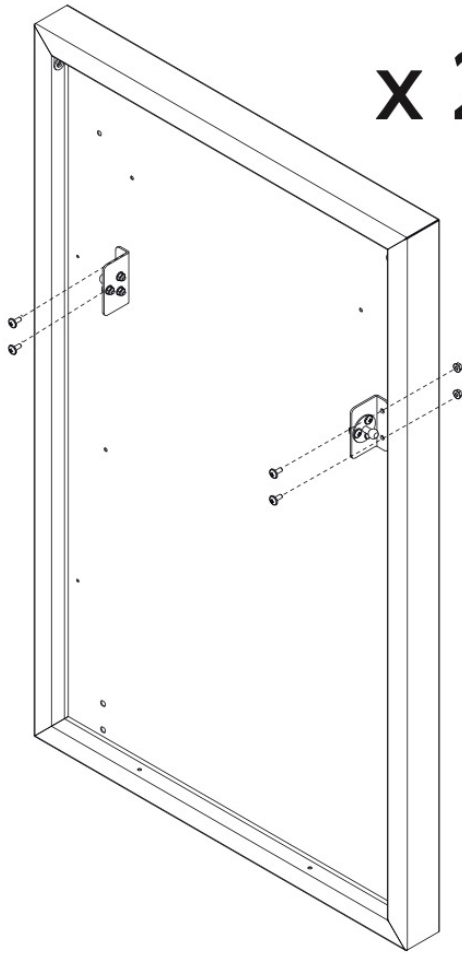


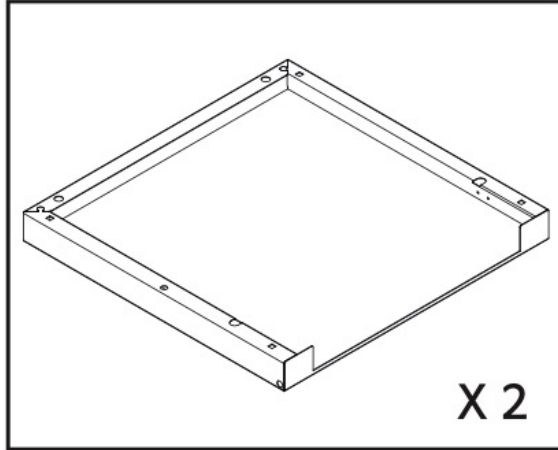
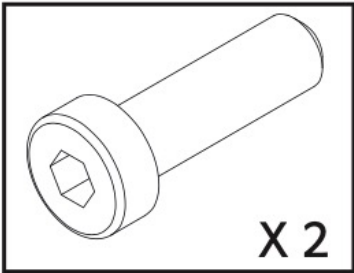
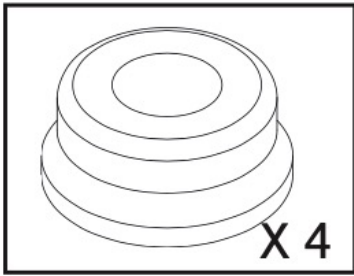
**x 2**



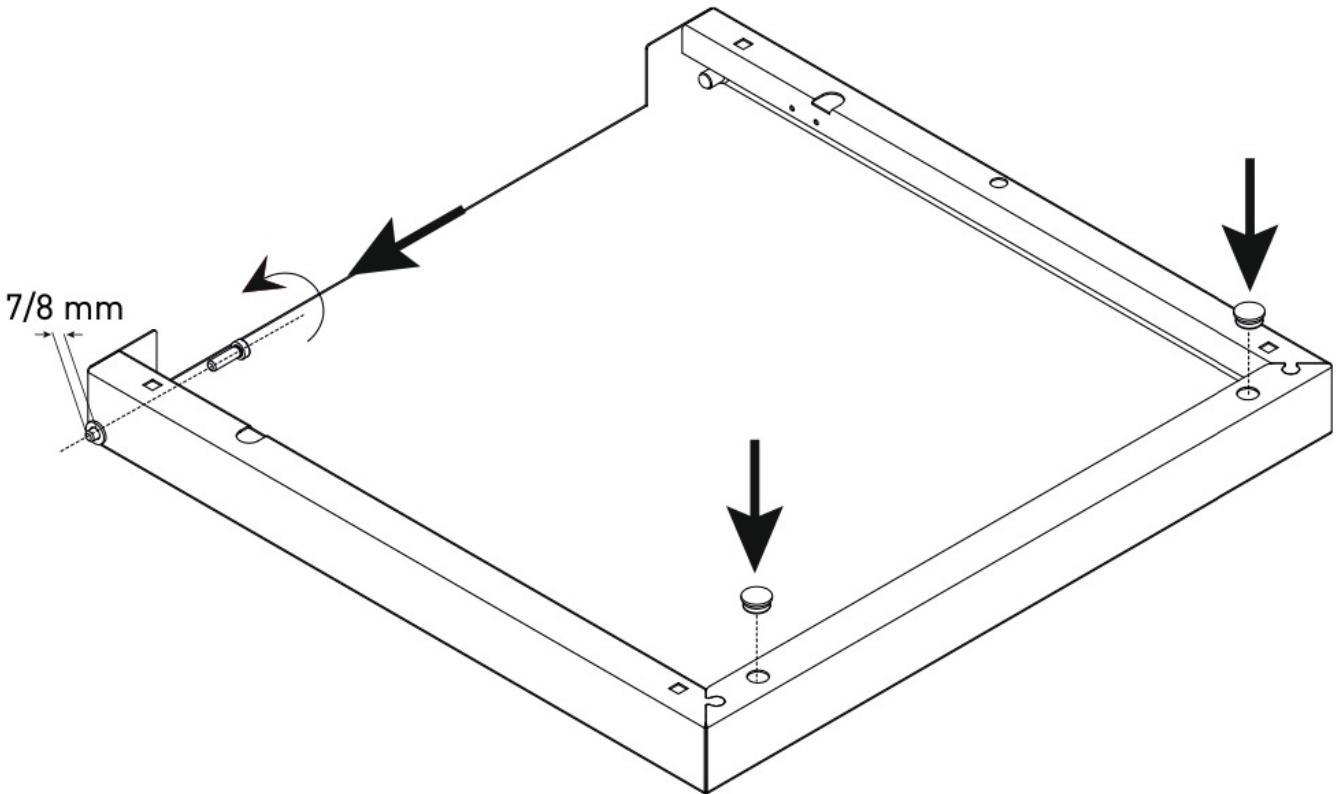


x 2

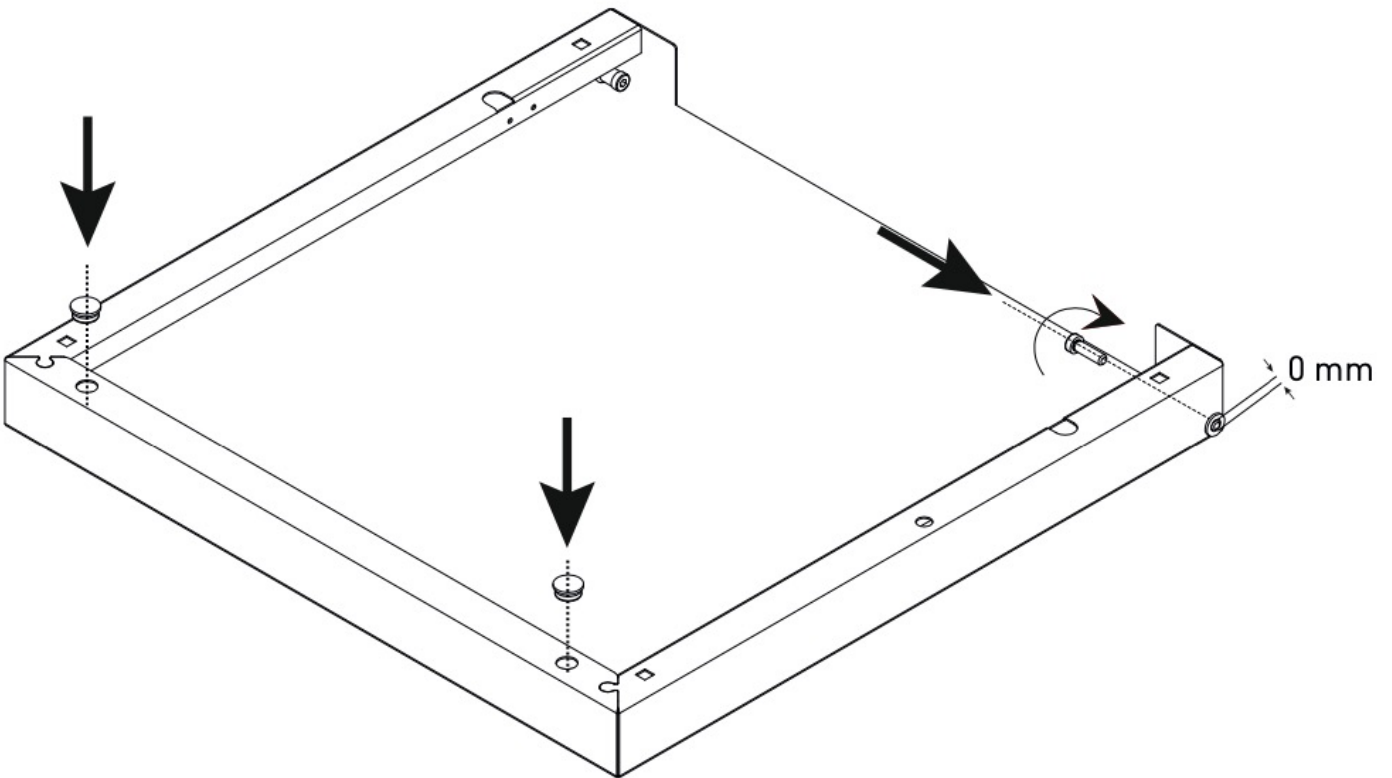


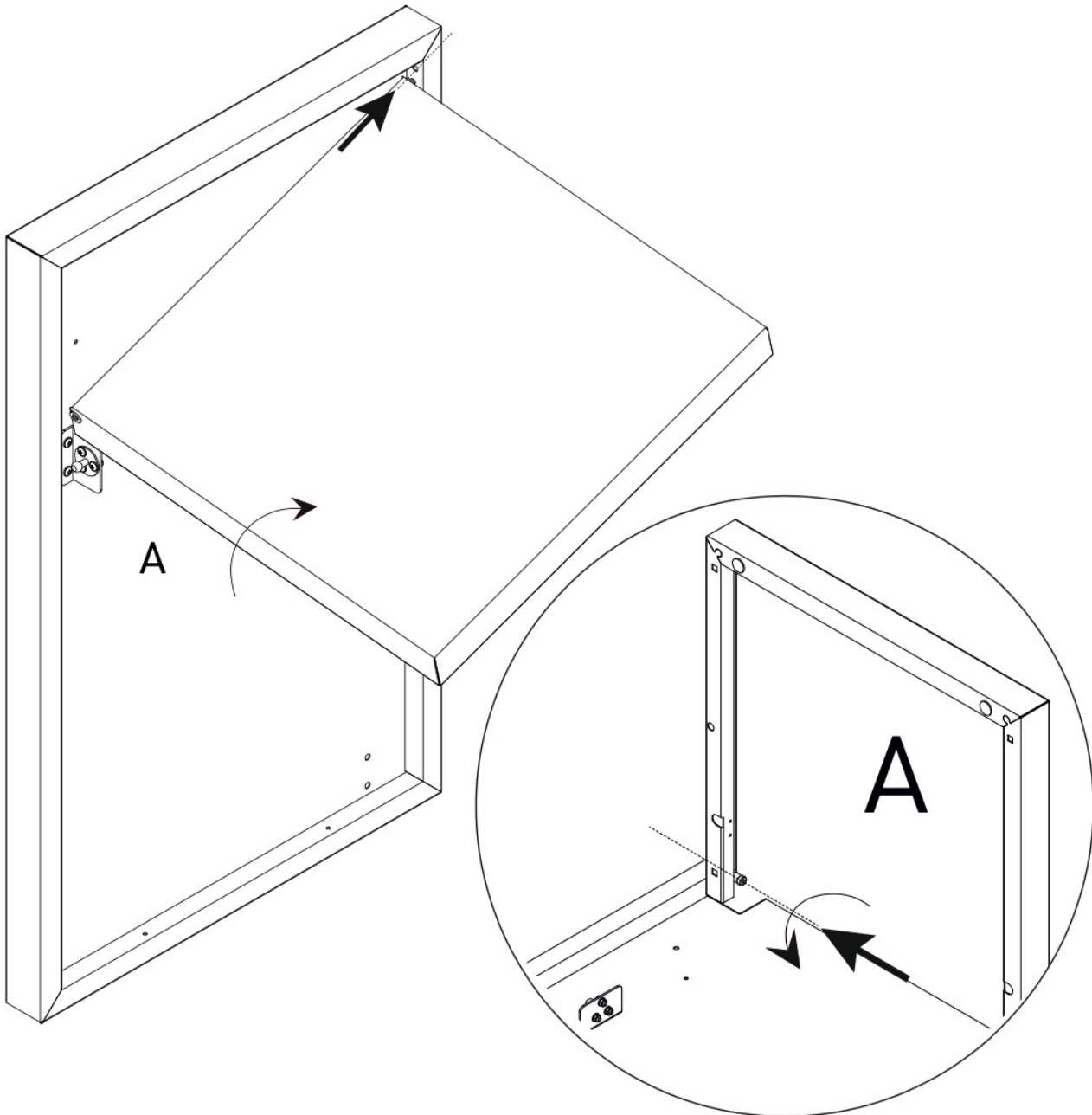
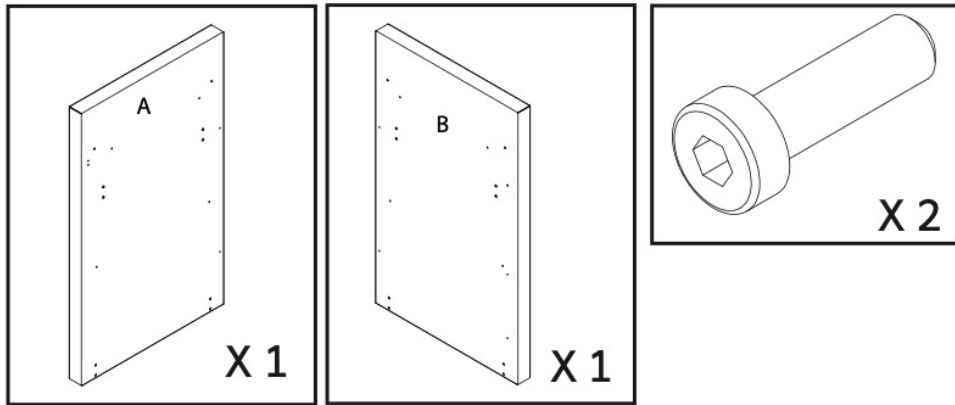


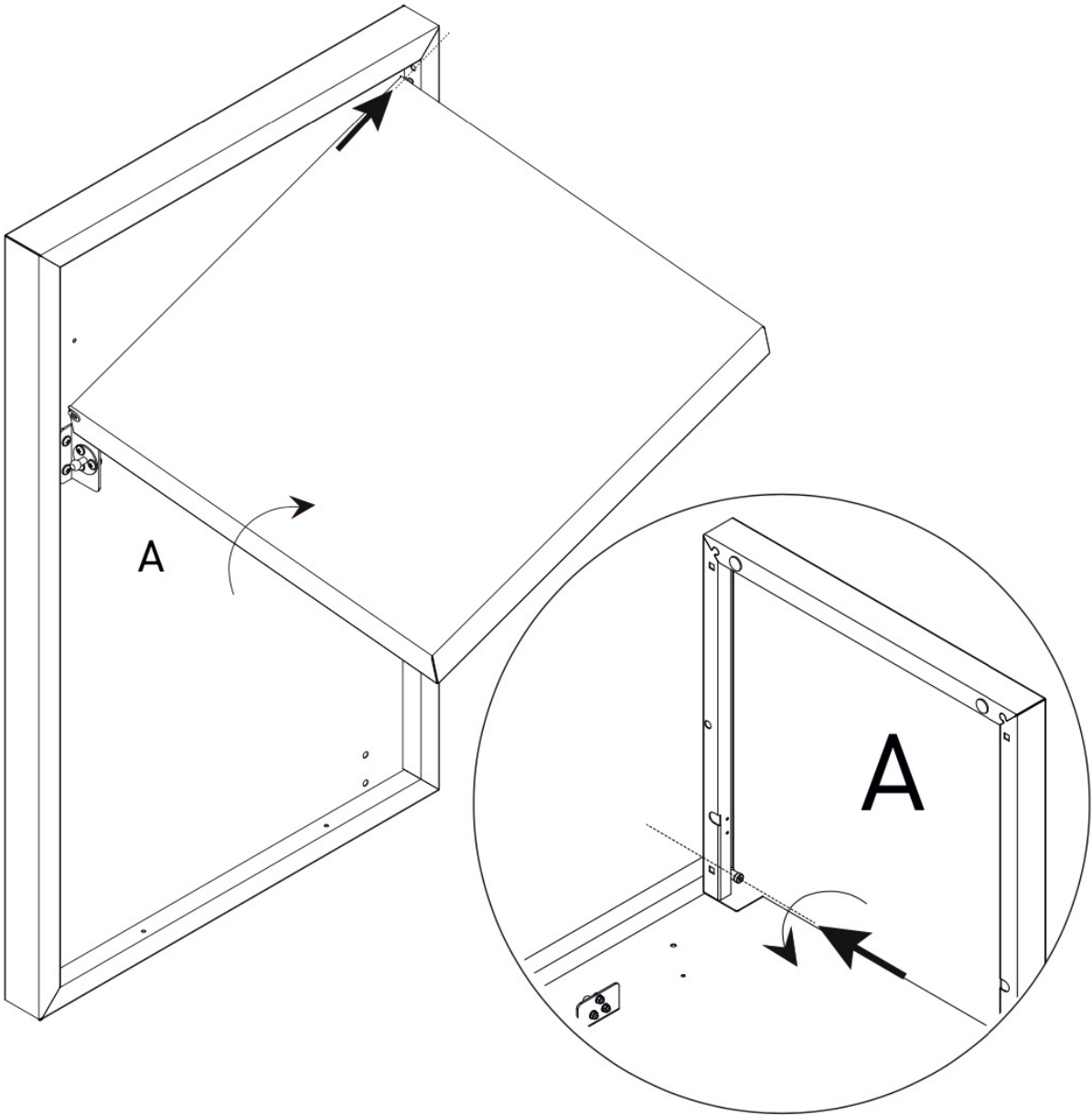
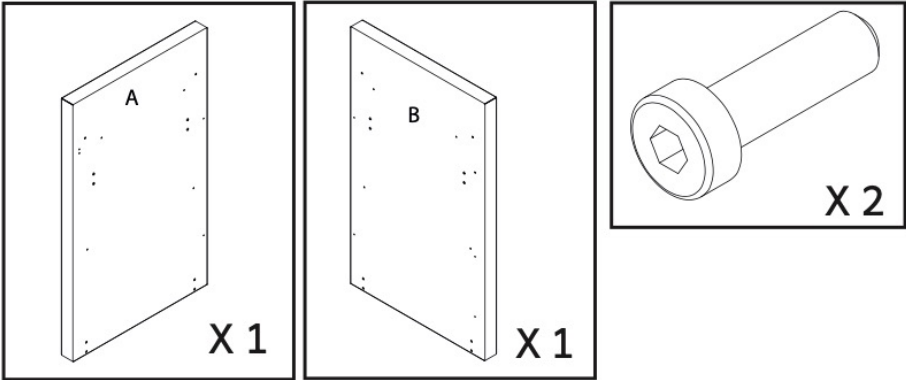
x 2

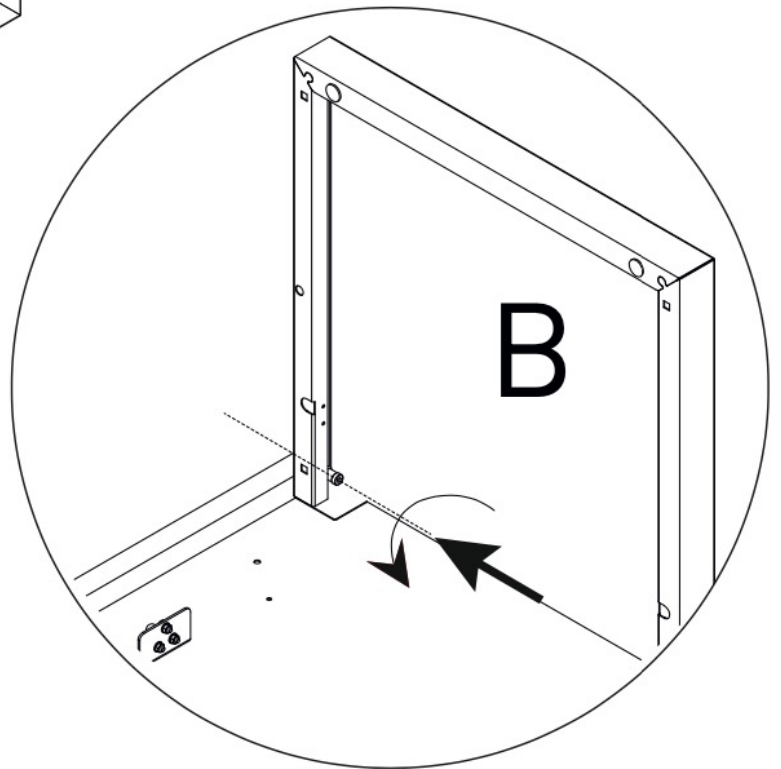
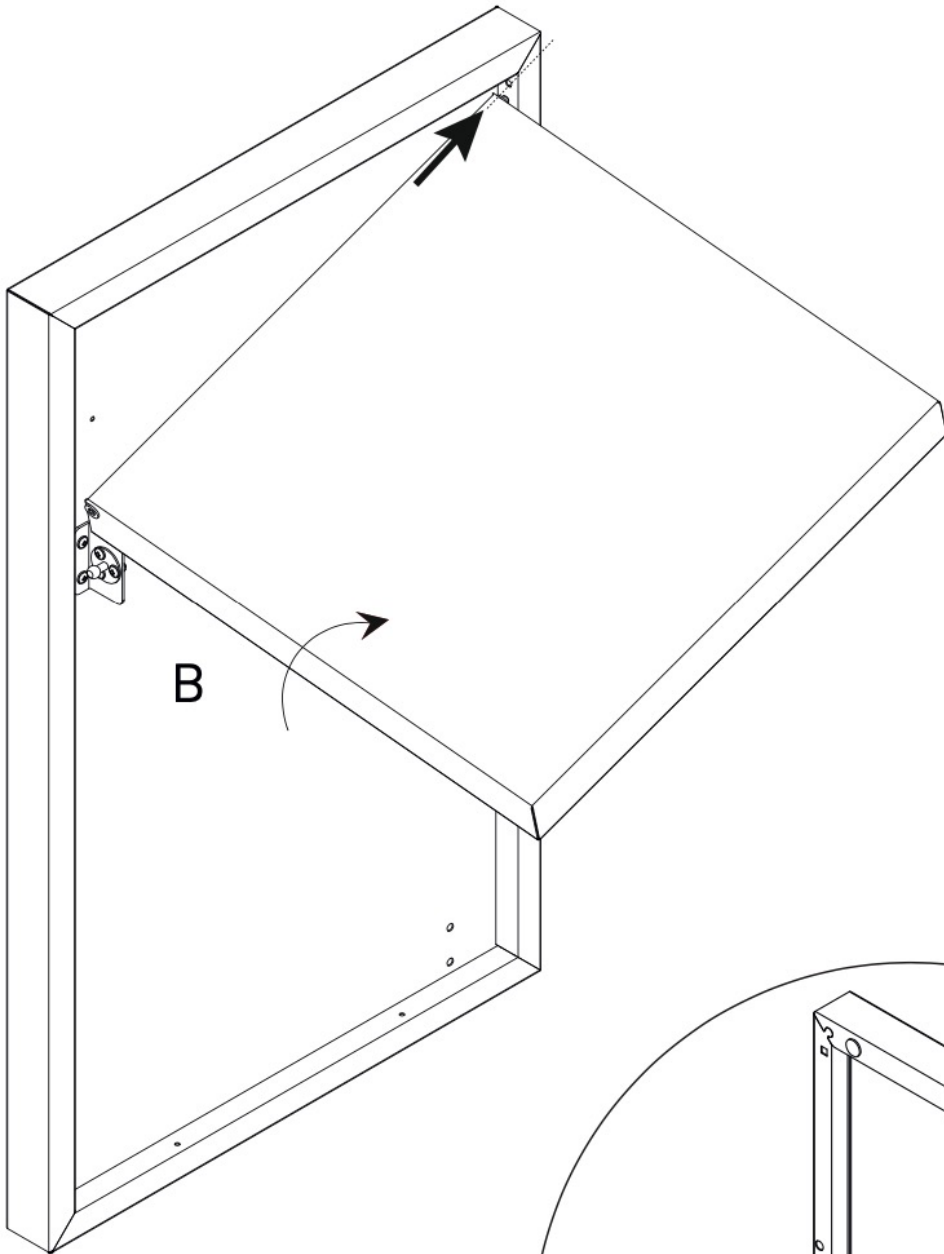


x 2

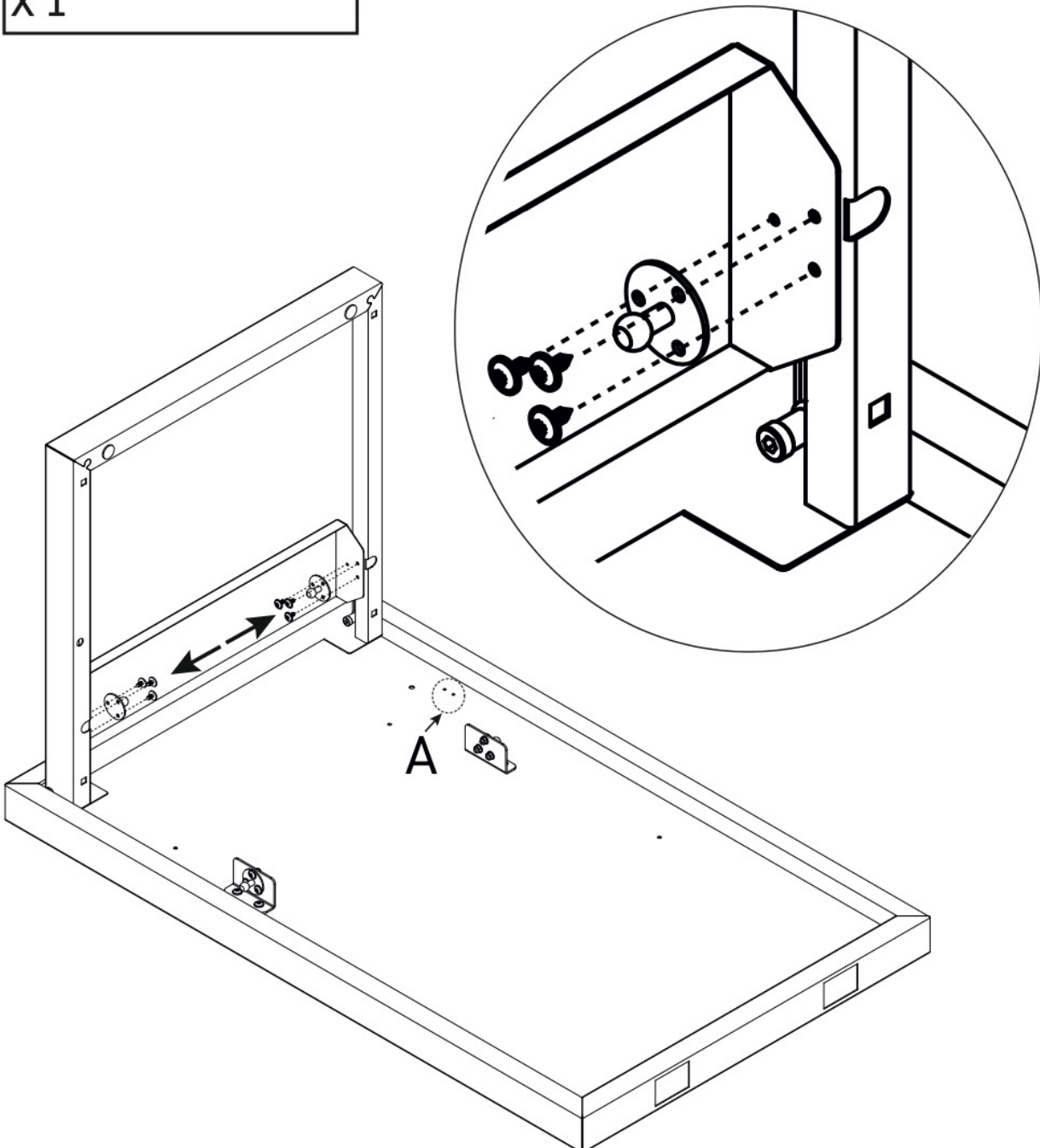
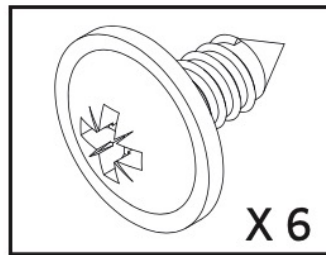
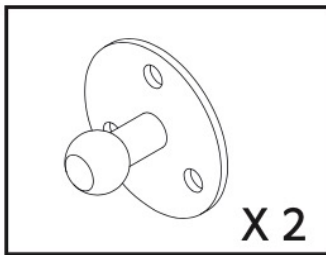
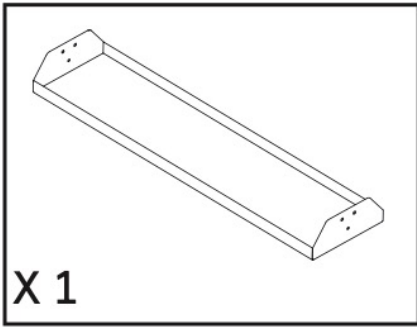


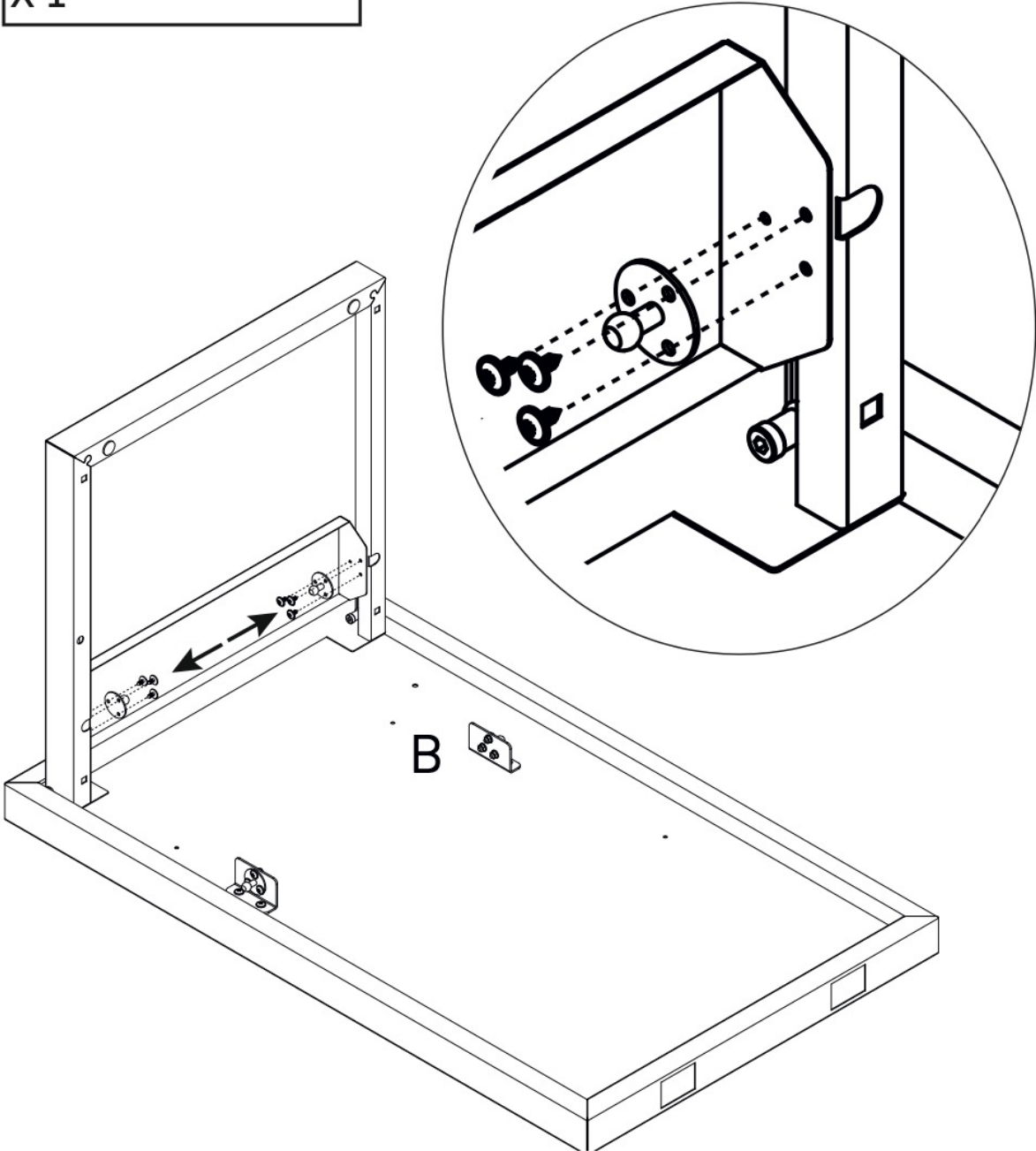
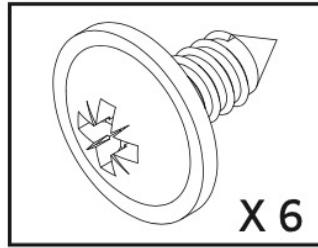
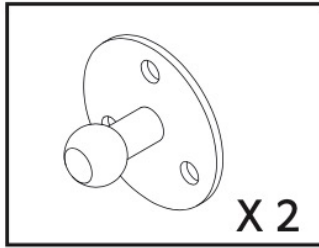
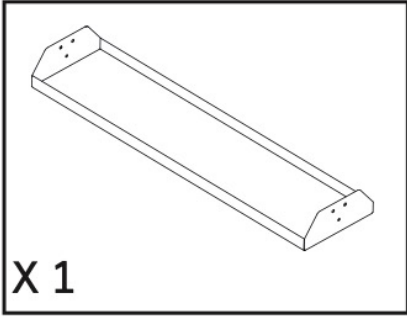


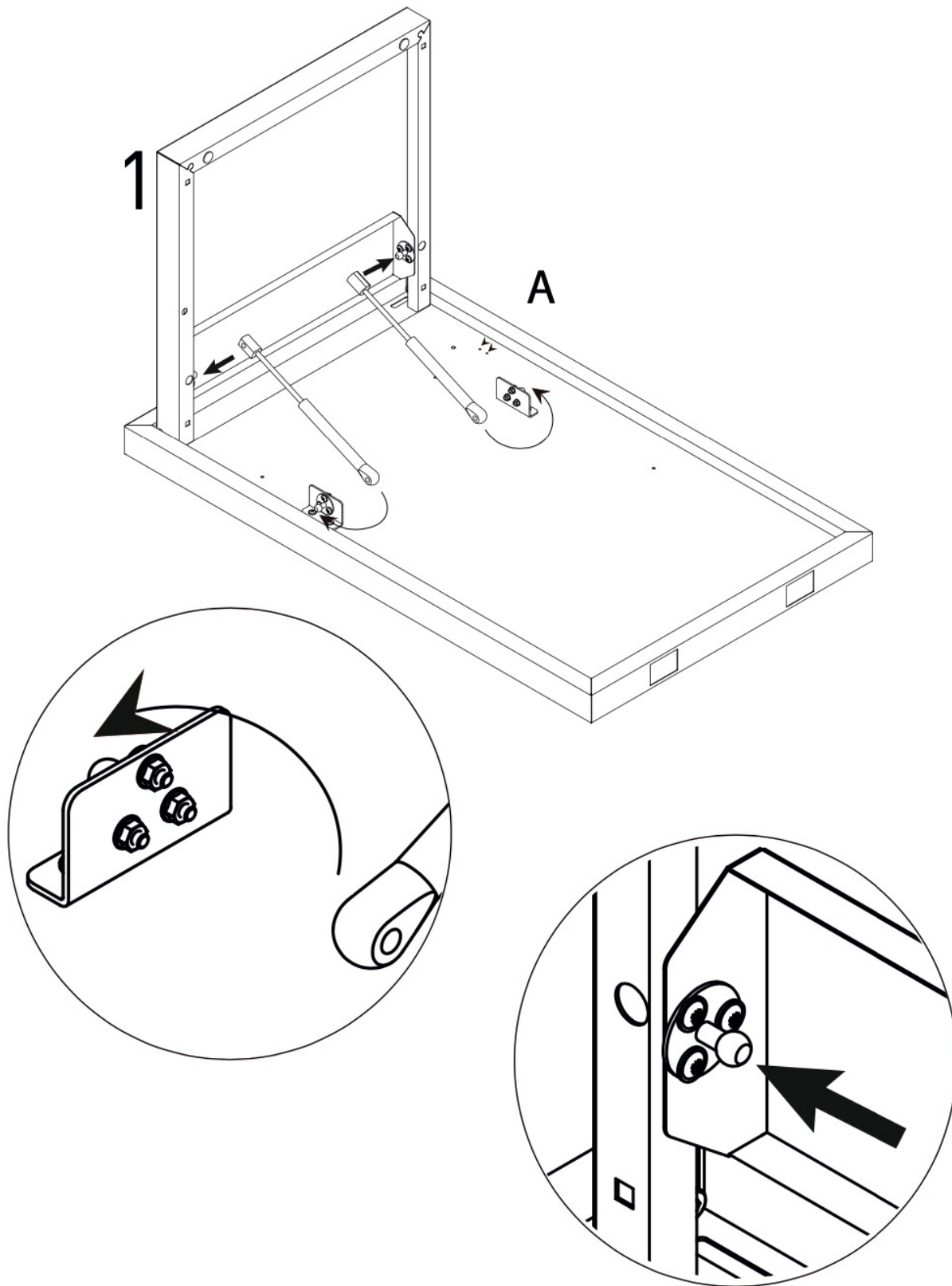


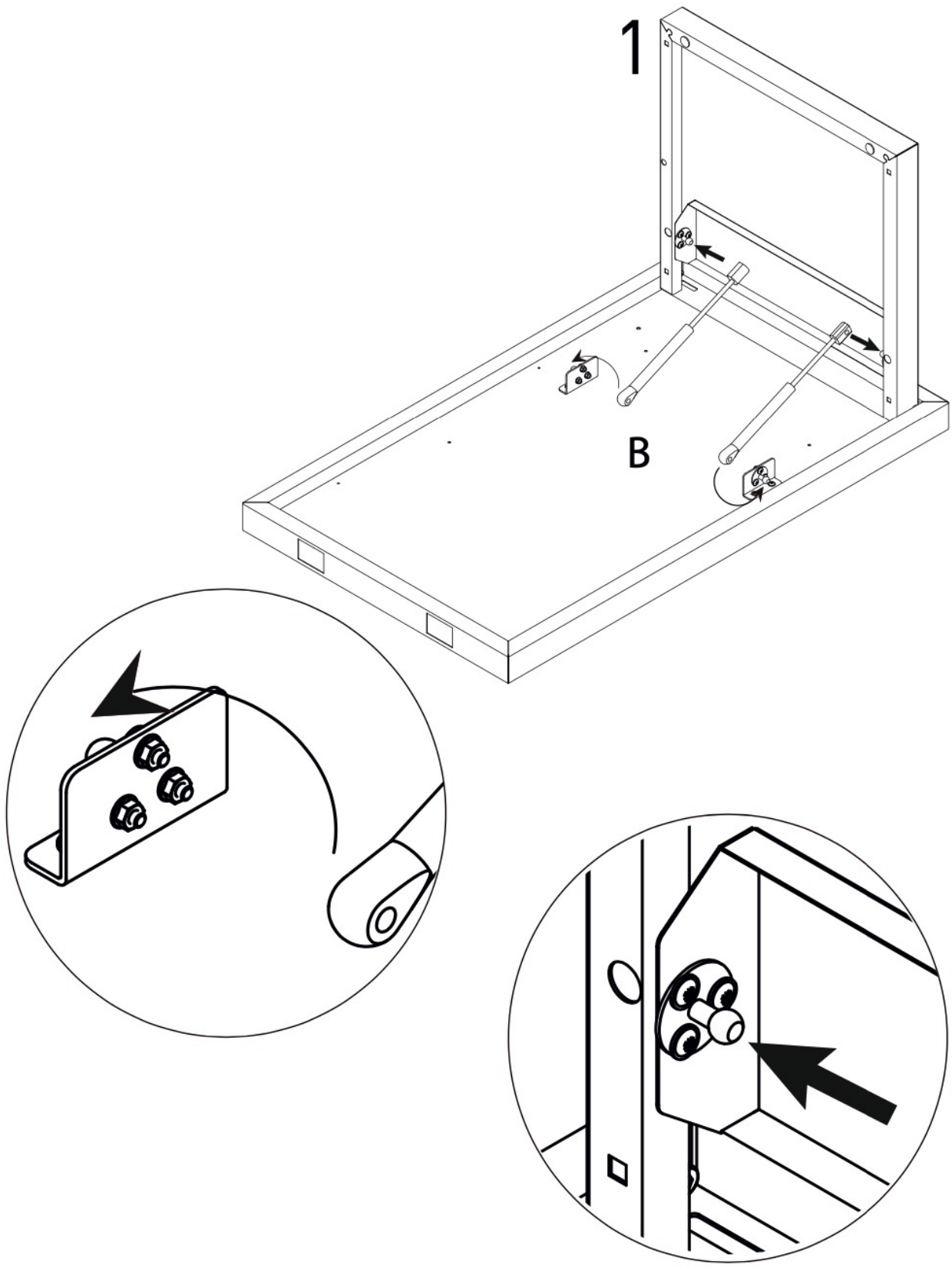


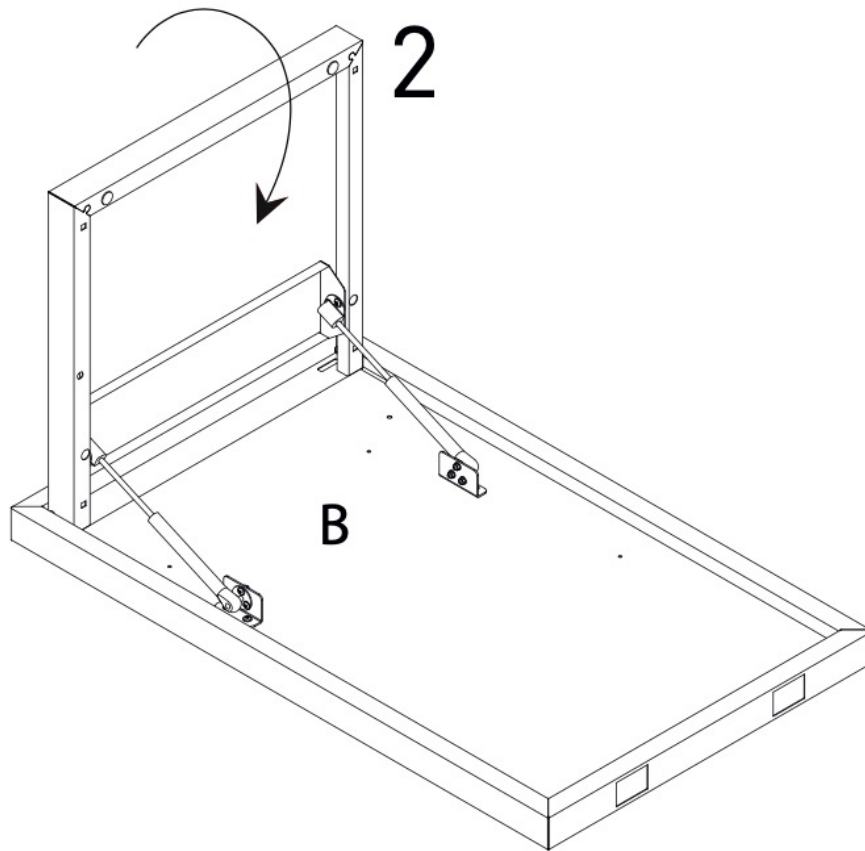
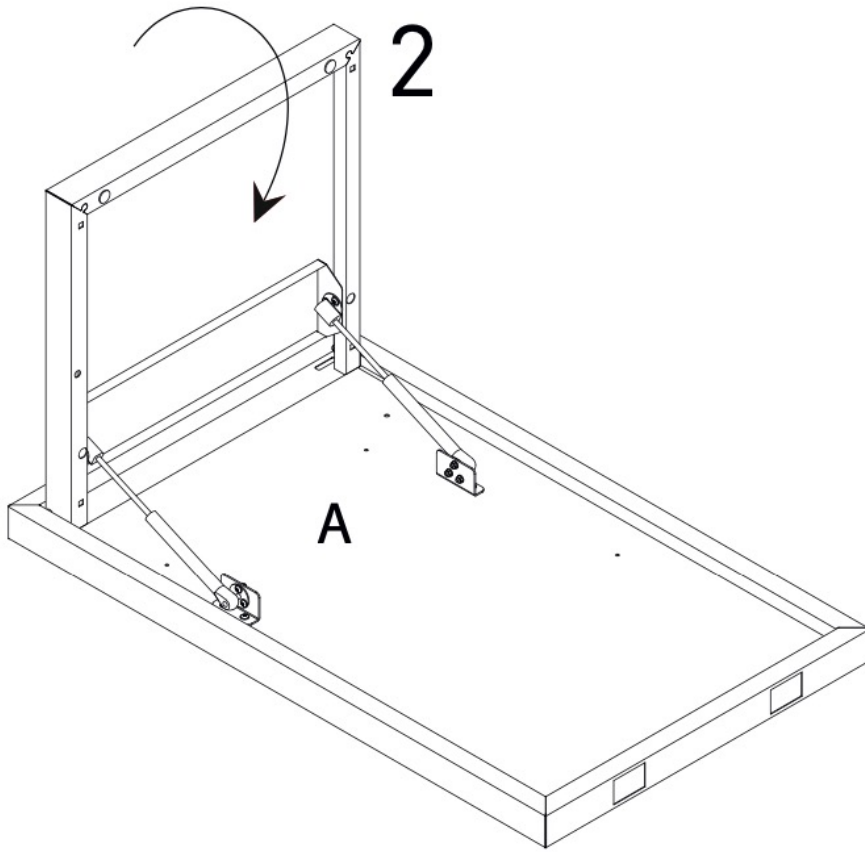


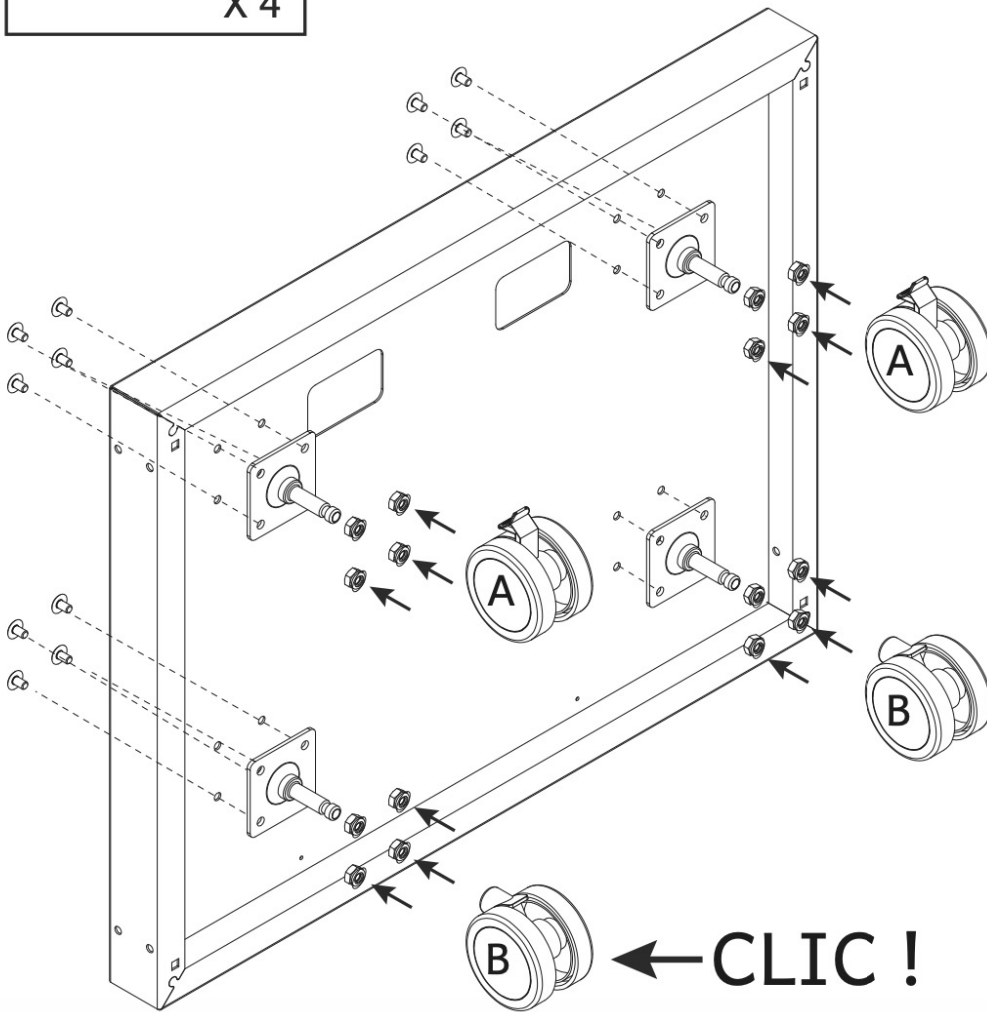
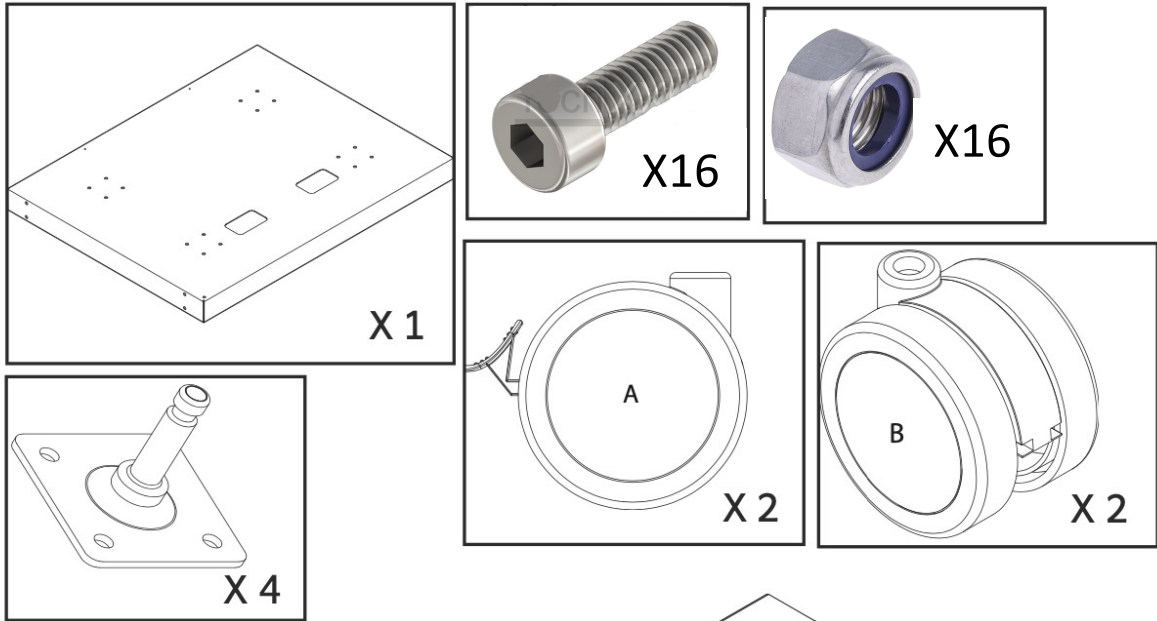


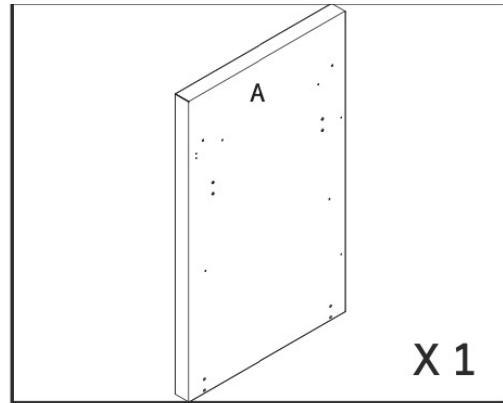
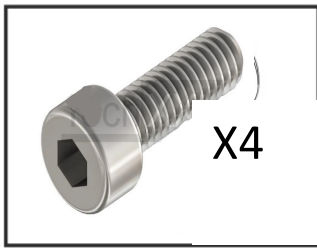




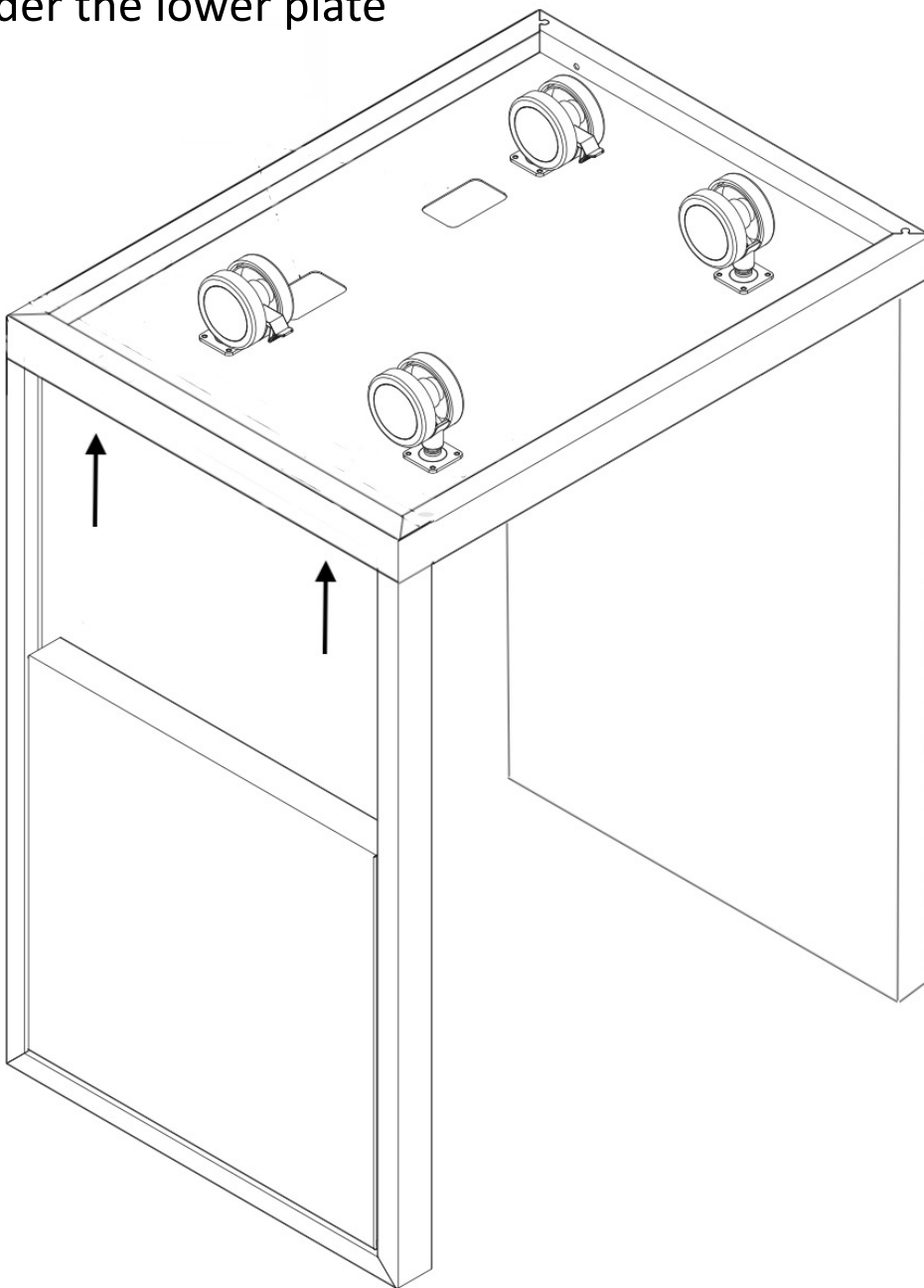


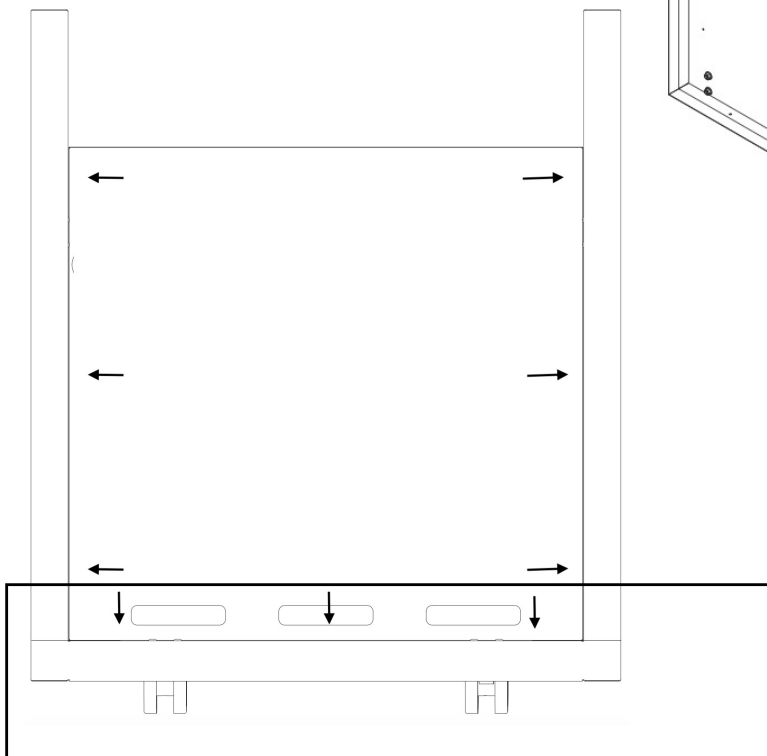
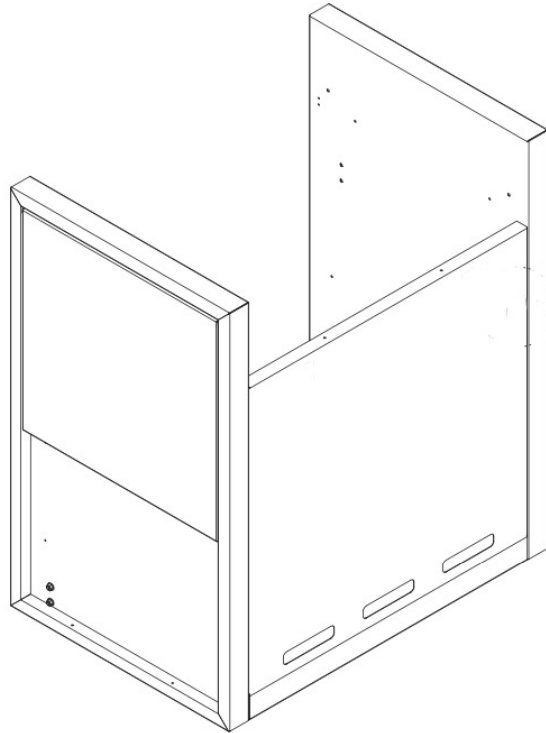
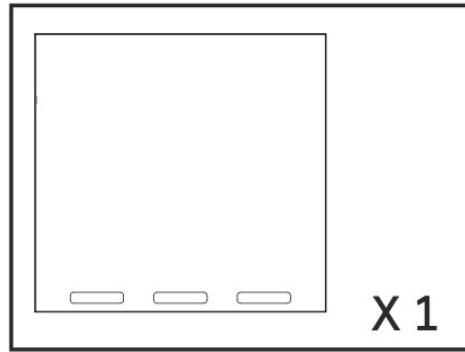
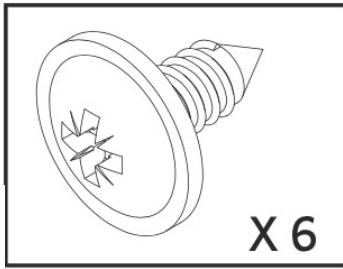






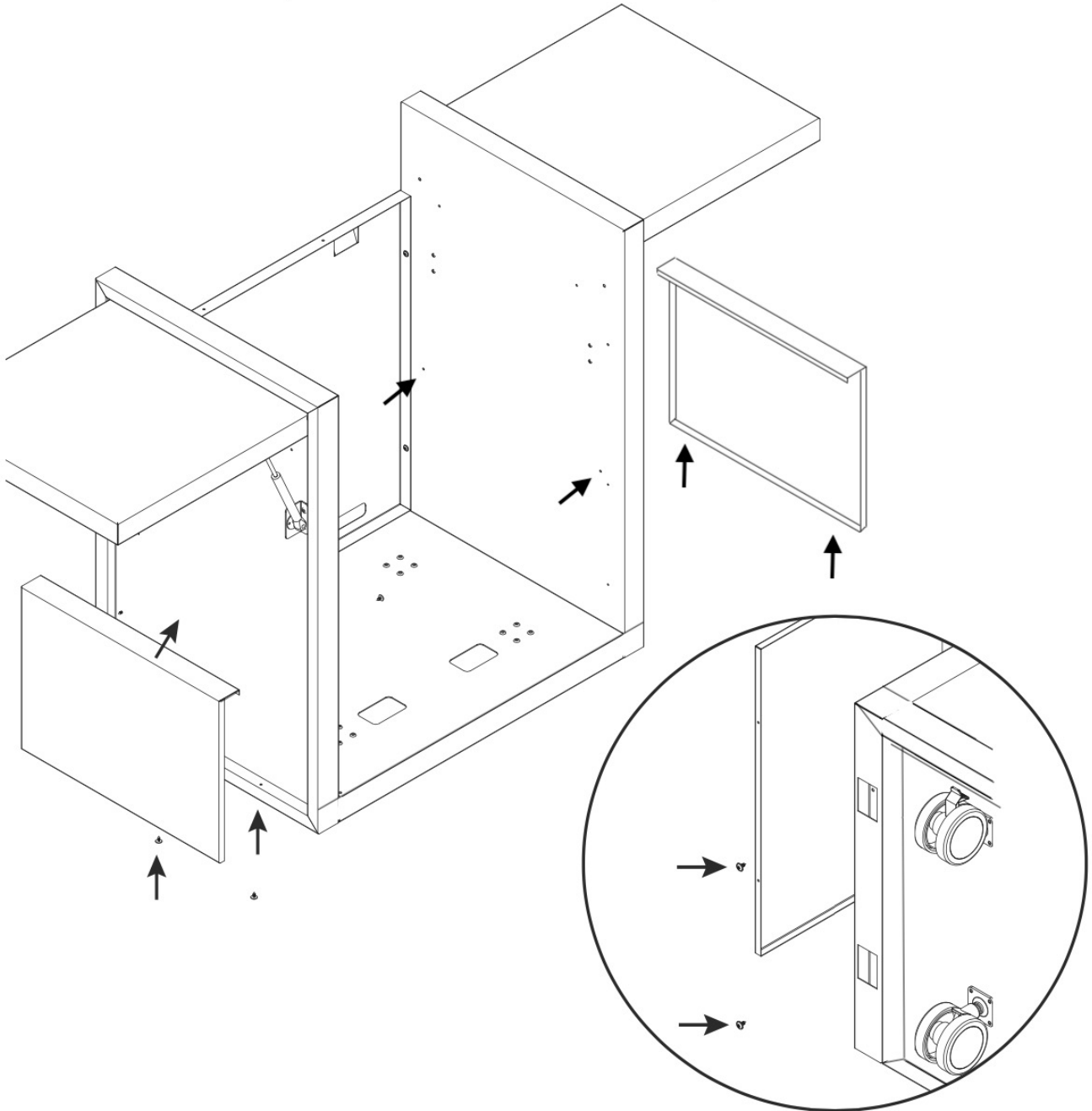
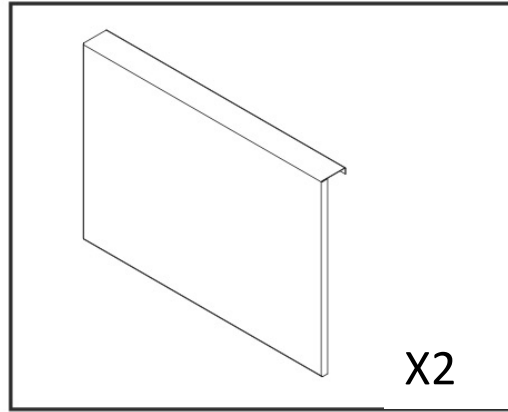
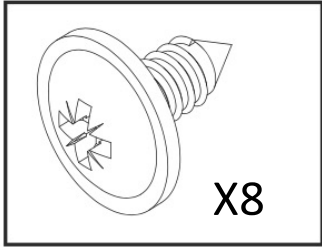
The nut are at the  
under the lower plate

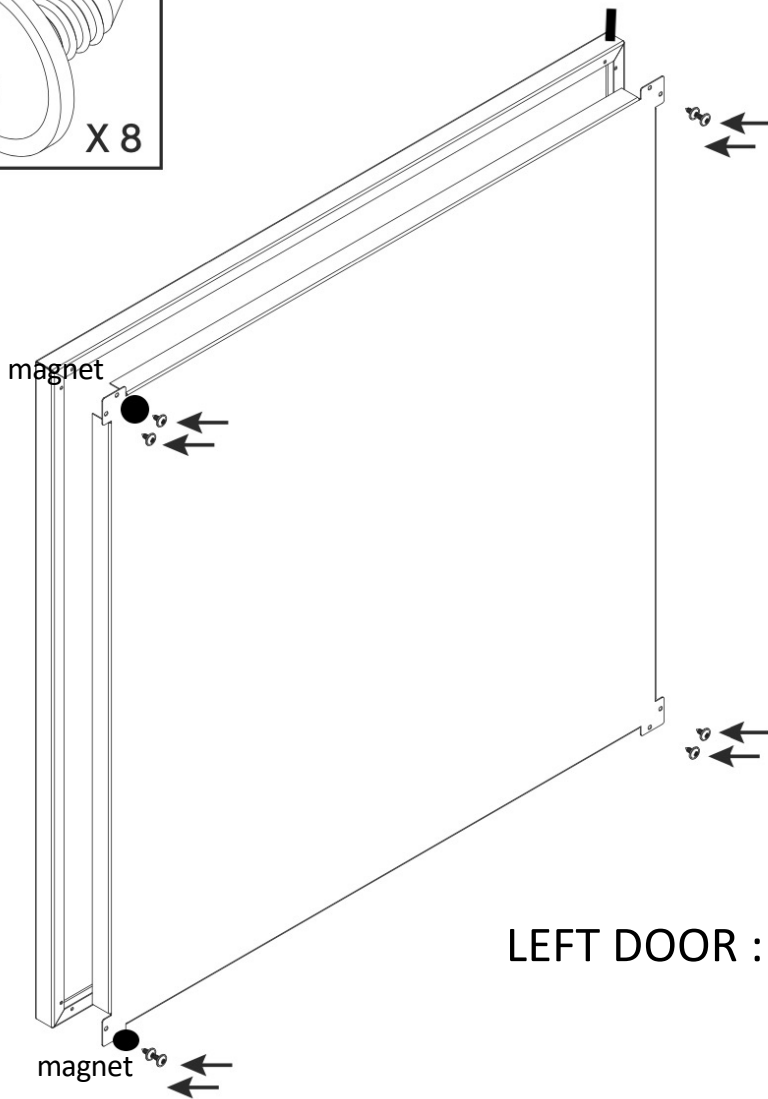
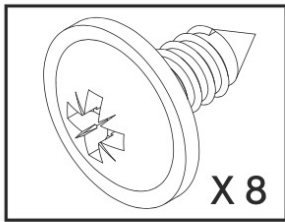
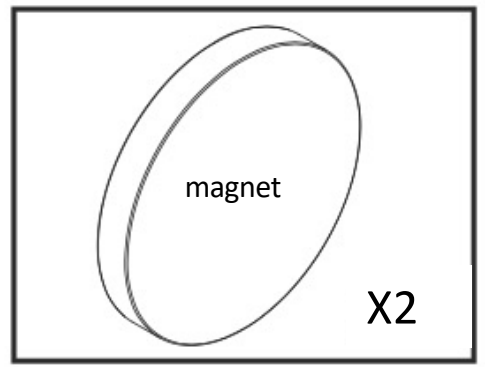
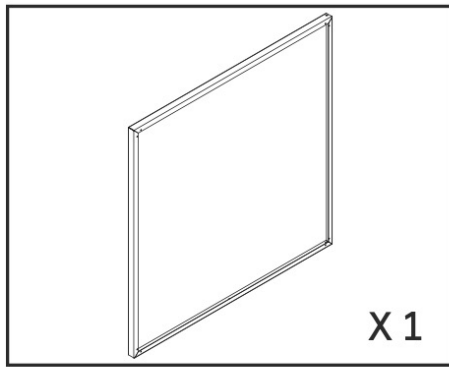
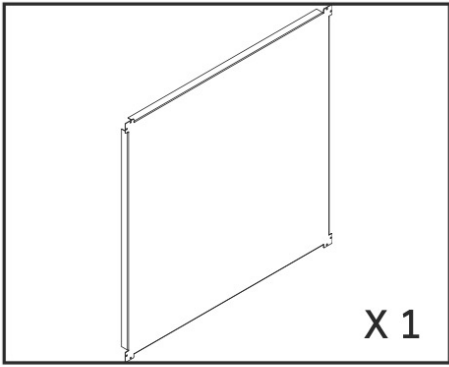


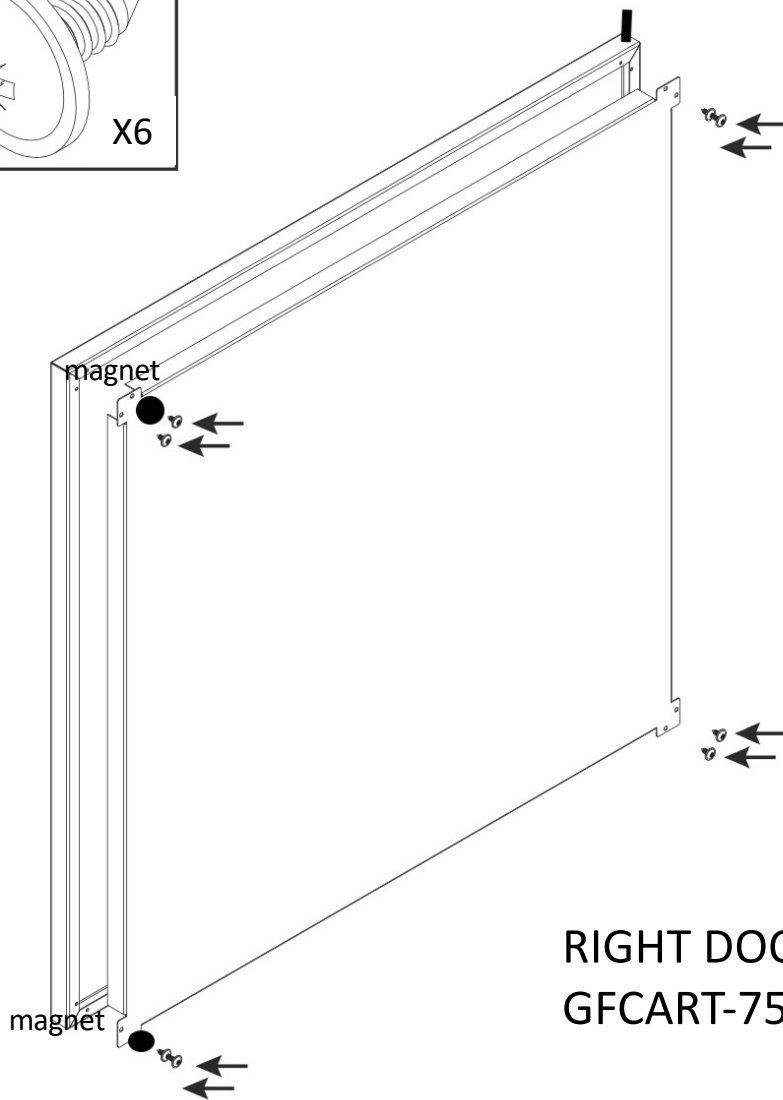
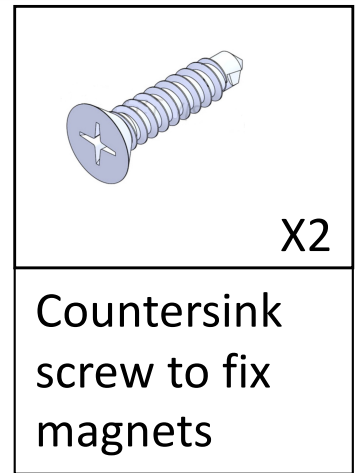
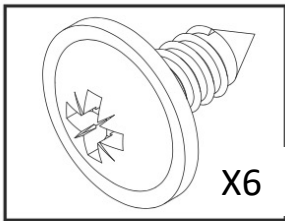
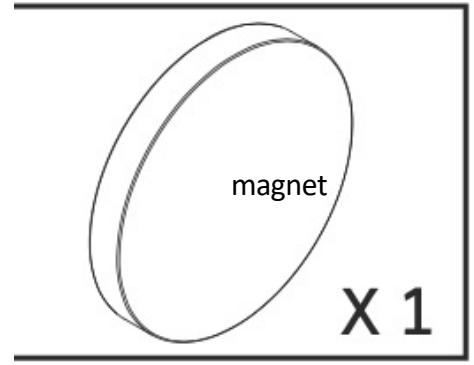
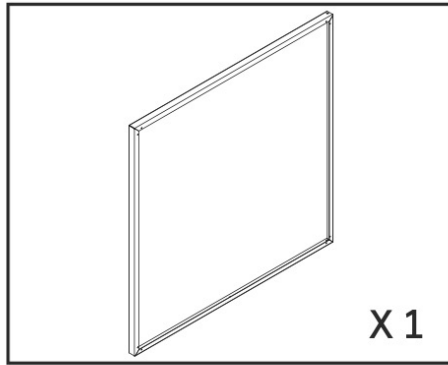
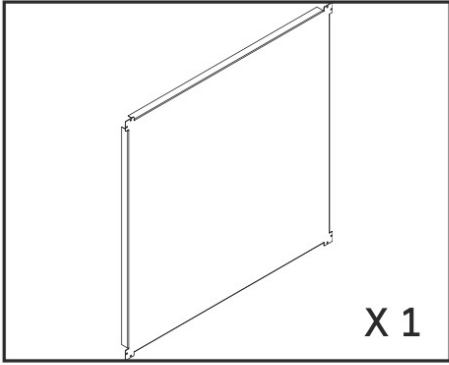


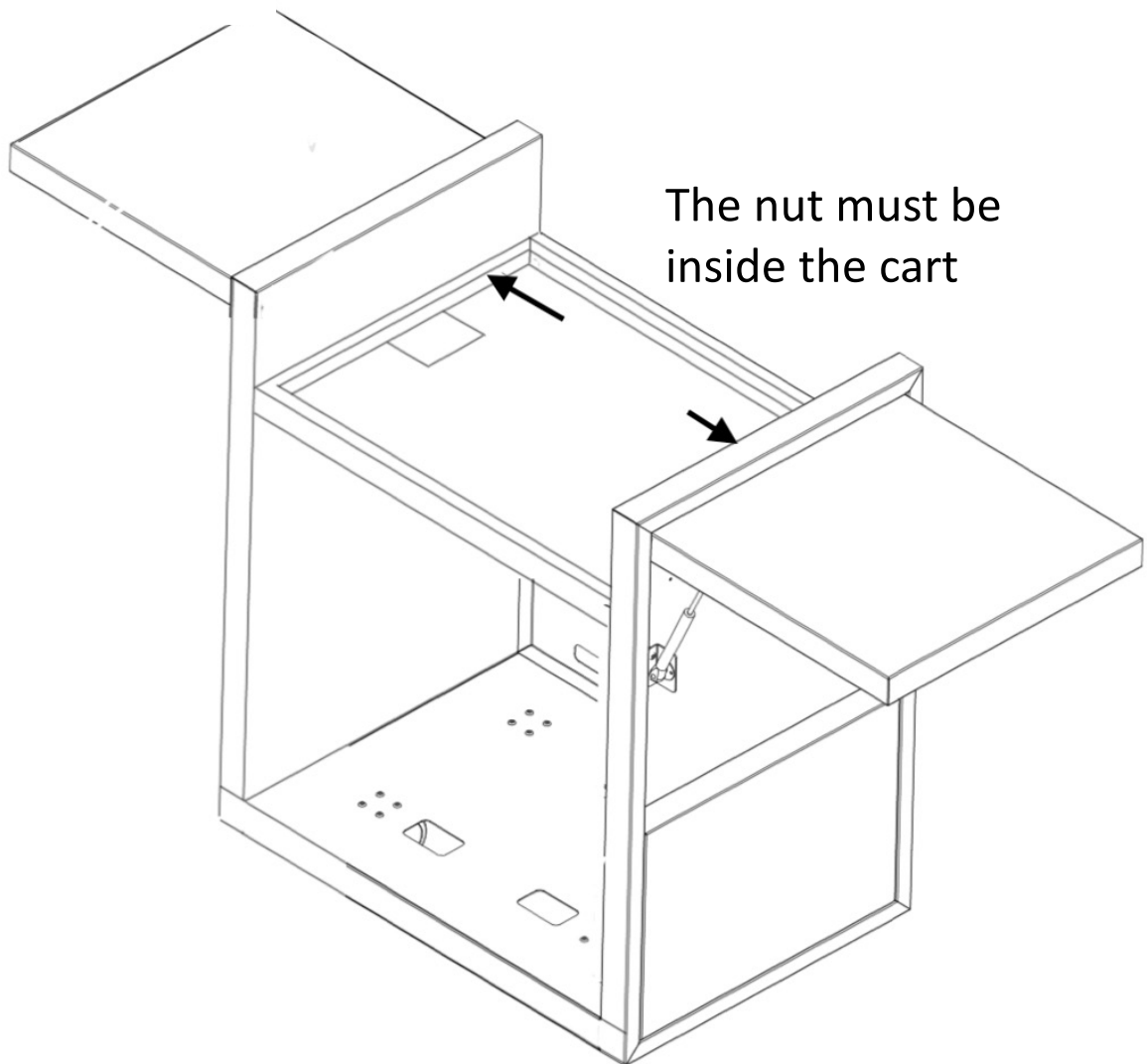
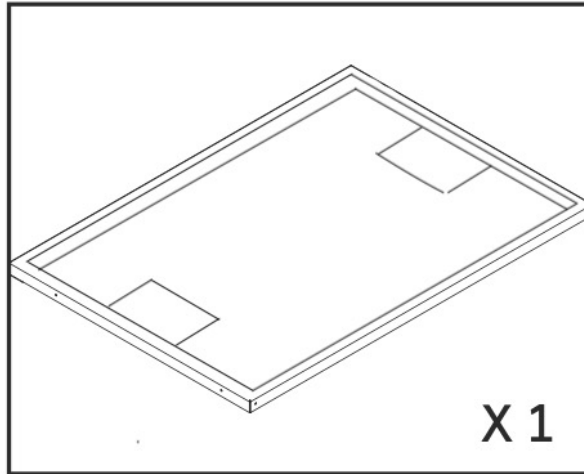
The 3 screws+nuts fix the back plate on the lower plate

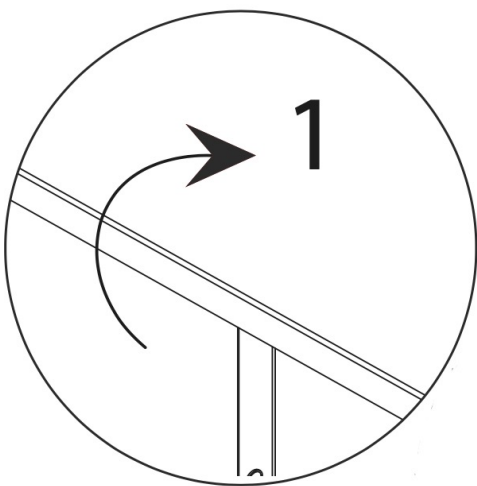
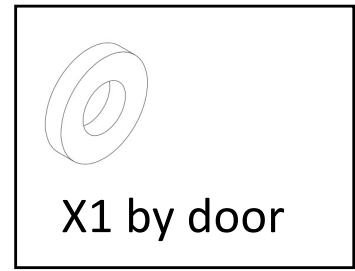
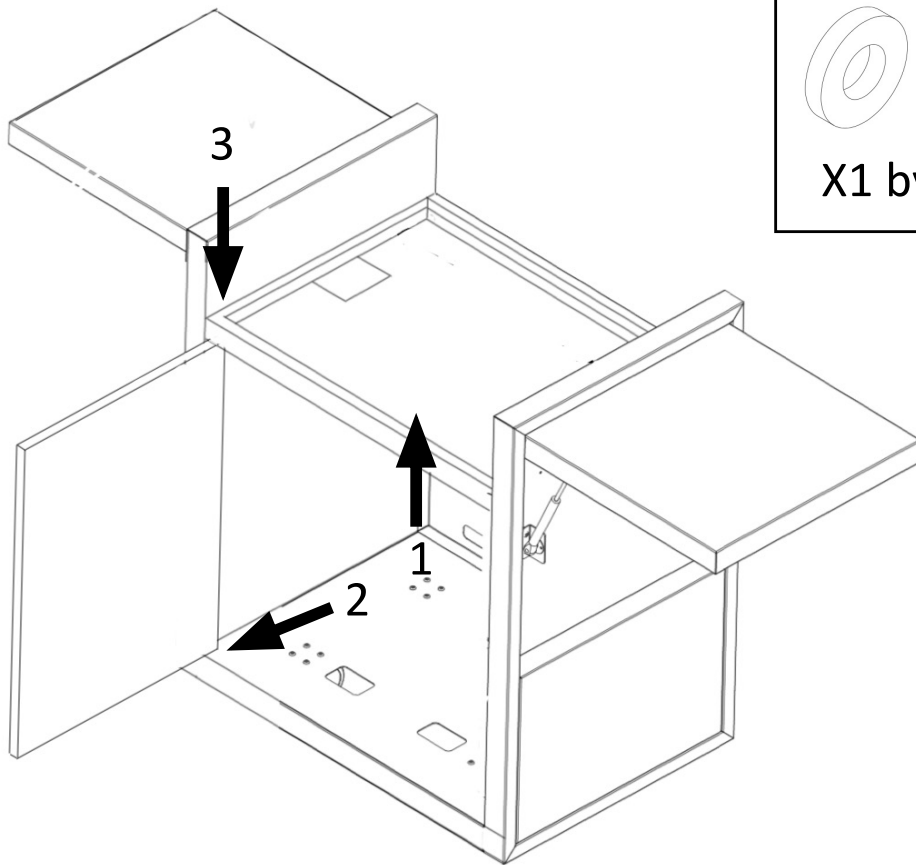




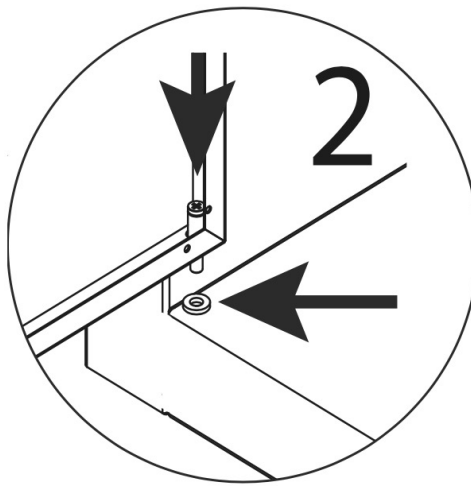




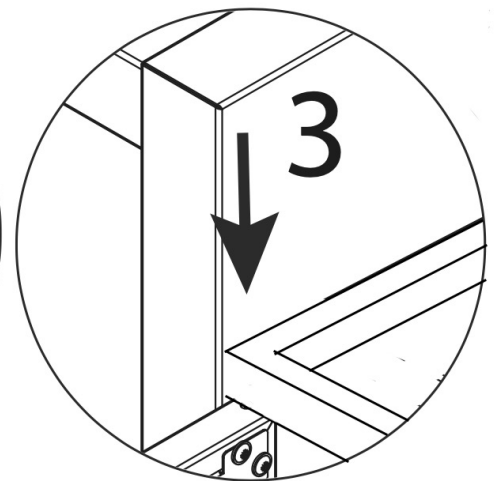




1- pull up the upper plate (it turn)



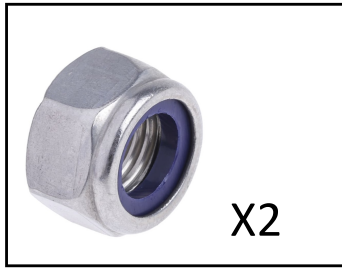
2- put the washer and the lower hinge of door in lower plate hole



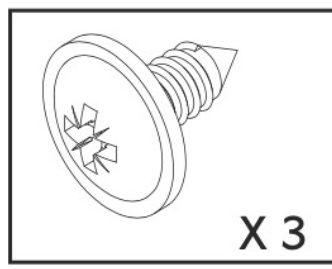
3- put the upper hinge of door in upper plate door



X2



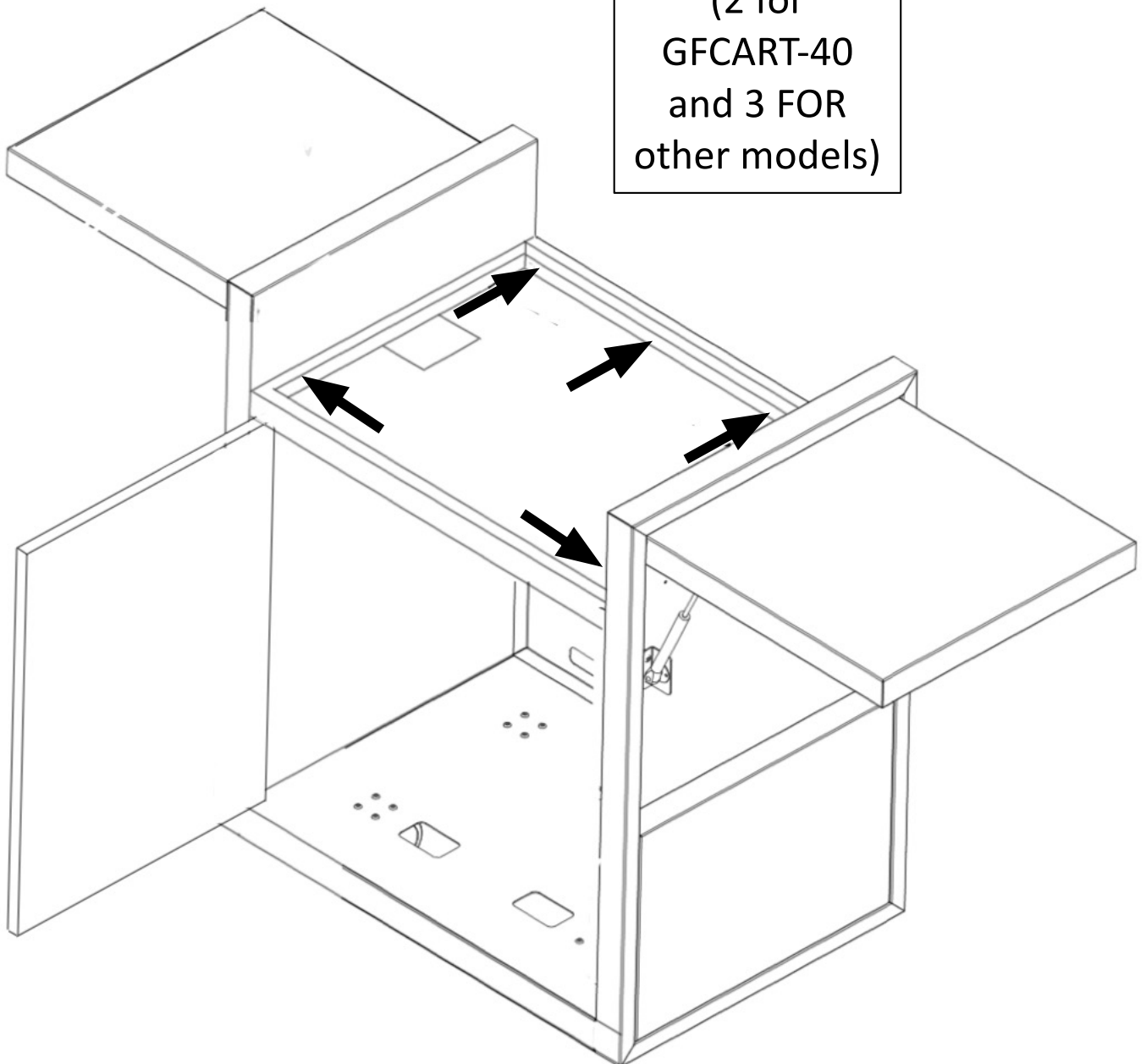
X2

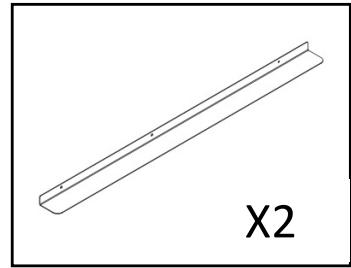
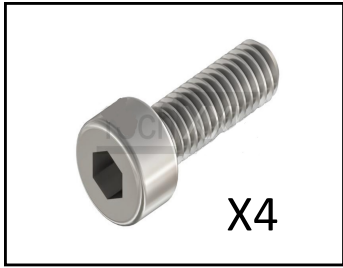


X 3

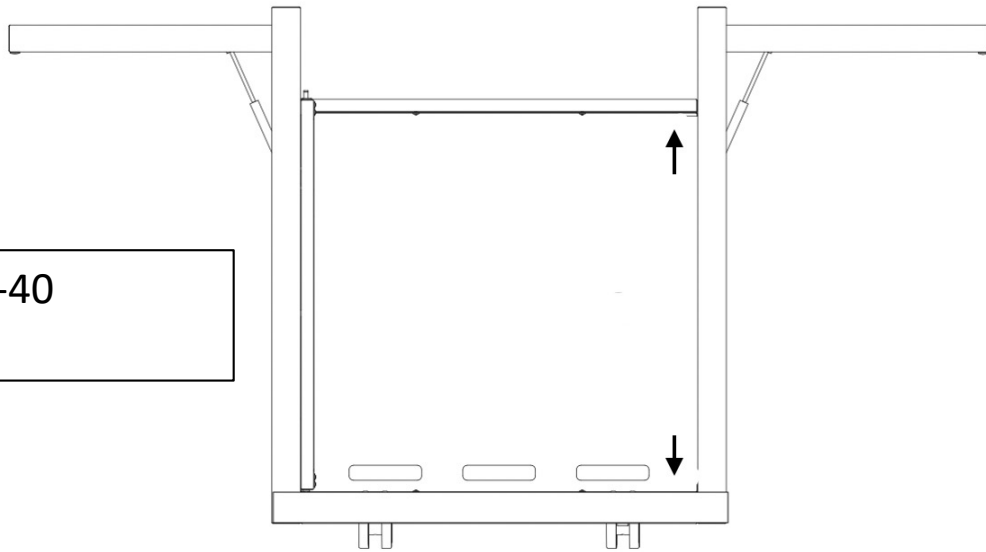
M6 SCREW + NUT FOR SIDE

M5 SCREW  
FOR BACK  
(2 for  
GFCART-40  
and 3 FOR  
other models)

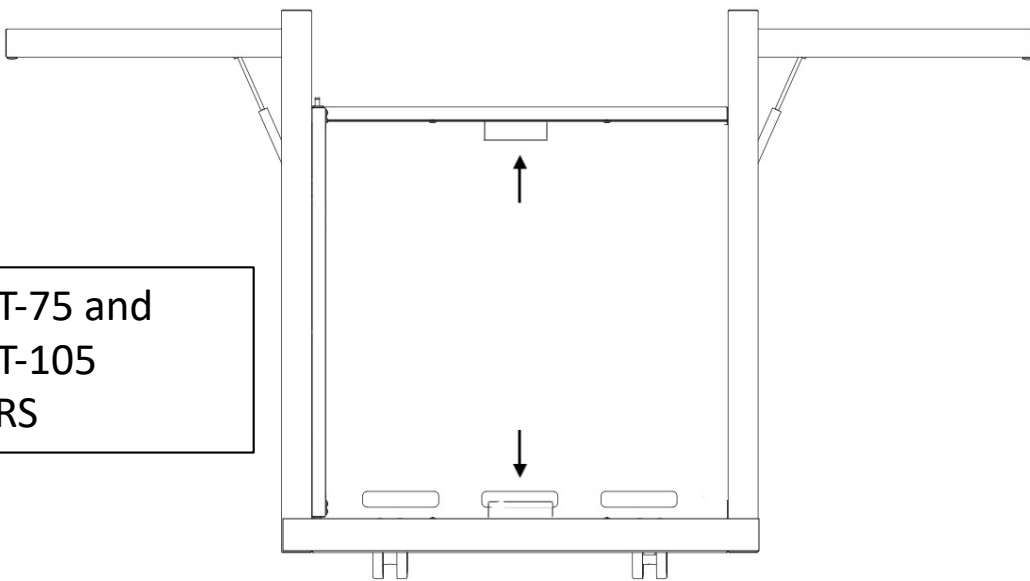


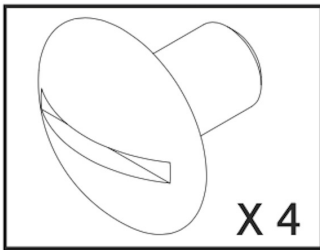


GFCART-40  
1 DOOR



GFCART-75 and  
GFCART-105  
2 DOORS





USE M8 SCREWS FOR FIX THE GRIDDLE AT LEFT AND RIGHT SIDE

