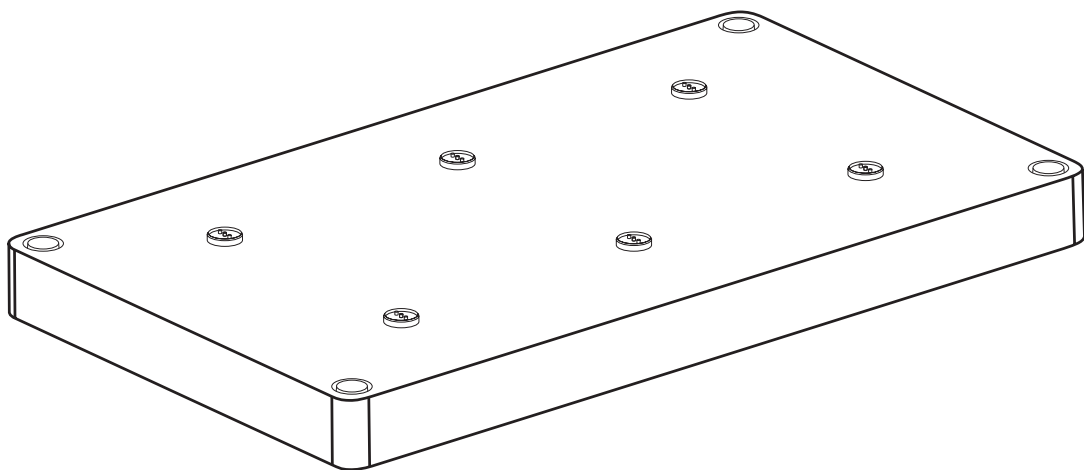


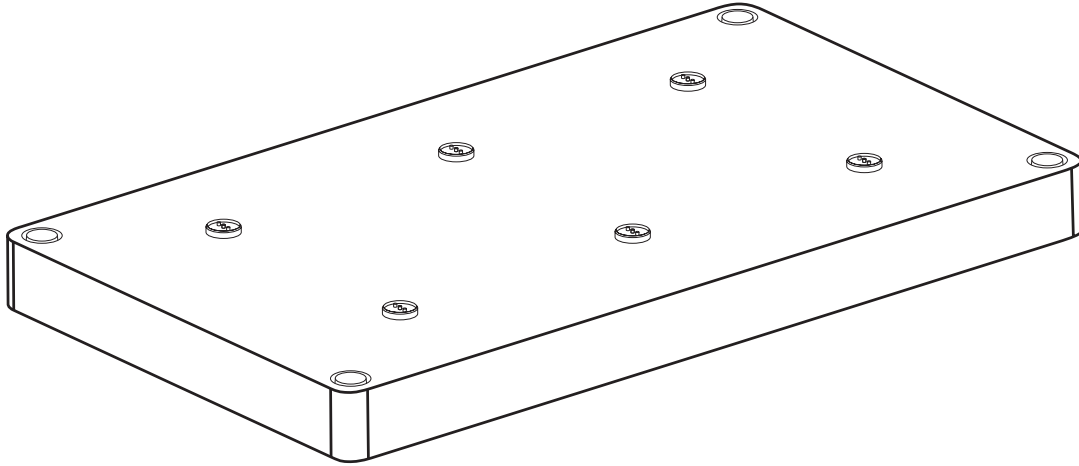


Multi-Contact Charging Shelf



Product Information

Multi-Contact Charging Shelf



Product Description

Model H90000	Application Multi-Contact Charging Shelf	Net Weight 1.62Kg	Inner Box 275 x 60 x 540mm	Outer Carton 290 x 230 x 565mm	Pcs/Ctn 3
Input 24V, 2A	Output 5V, 1A (X6)	Safety Class CLASS III	Ingress Protection IP20		

Materials

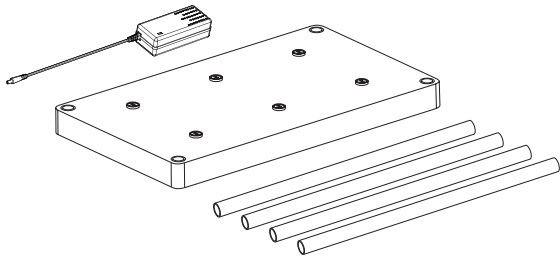
ABS plastic shelf with 6 electrical docks.

These charging shelves are designed to be stackable in a tower configuration of up to four shelves, allowing you to efficiently charge a total of 24 LED Cordless lamps simultaneously while ensuring safe and effective charging. Suitable for professional use.

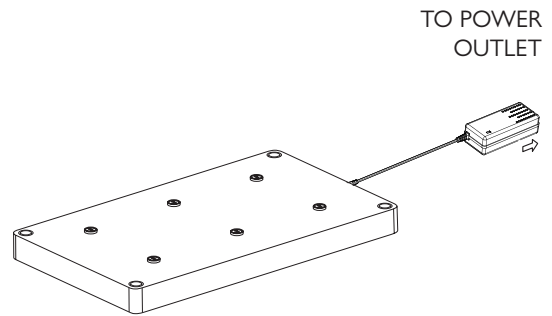
AC-DC Adapter

Multi Contact Charging Shelf (6)

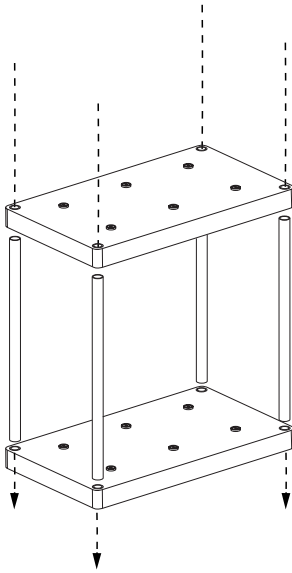
Stacking Posts



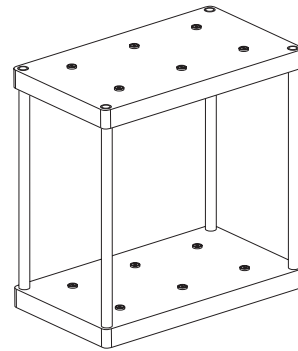
Use Power Adapter Cable Supplied



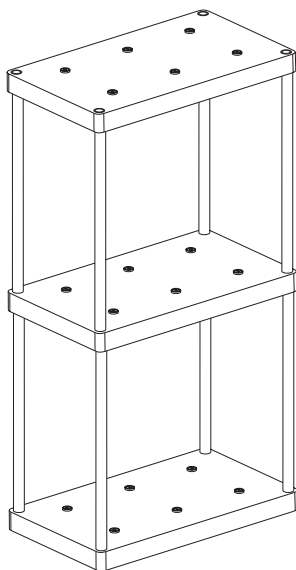
1



2



3



STACKABLE UP TO MAX 4 LEVELS

WHENEVER INSTALLING OR REARRANGING
SHELVING, NEVER LIFT ASSEMBLED SHELVING.

