



User Manual

EasyDrip Coffee Maker

Model: AusBrew-1812



AUSPURE - SUPPORT

www.auspure.com/au | support.au@auspure.com

Thank you

Thank you for purchasing the Auspure Coffee Maker by Auspure Kitchen. We are committed to providing our customers with high quality products for having a reliable facilitated kitchen in their house.

Should you have any questions or concerns about using your Auspure products, feel free to contact our helpful customer support team at support.au@auspure.com We hope you enjoy using this product and we will be more than happy to assist our valued customers for any inquiry related to Auspure products.

TABLE OF CONTENTS

SAFETY INSTRUCTION	4
PARTS NAME	5
GETTING TO KNOW YOUR COFFEE MAKER	6
BEFORE THE FIRST-TIME USE	7
GETTING STARTED	8
CLEANING AND CARE	11
DESCALING	11
FREQUENTLY ASKED QUESTIONS	12
TROUBLESHOOTING	13
STORAGE	14
DISPOSAL	14
WARRANTY INFORMATION	15
DEFECTIVE PRODUCT AND RETURN	18
AUSPURE CUSTOMER SUPPORT	18

PACKAGE CONTENTS

- 1 × Auspure EasyDrip Coffee Maker
- 1 × Coffee Pot
- 1 × Filter Basket
- 1 × Mesh Filter
- 1 × User Manual
- 1 × Warranty Card

TABLE OF SPECIFICATIONS

Product Model	AusBrew-1812
Product Brand	Auspure Kitchen
Power Supply	220-240 V ~, 50/60 Hz
Rated Power	1000 W
Max Capacity	1.8 L
Coffee Pot Max Capacity	1.8 L
Product Weight	1.71 kg
Dimension	14.5 × 18 × 33 cm (without coffee pot) 19.5 × 18 × 33 cm (with coffee pot)

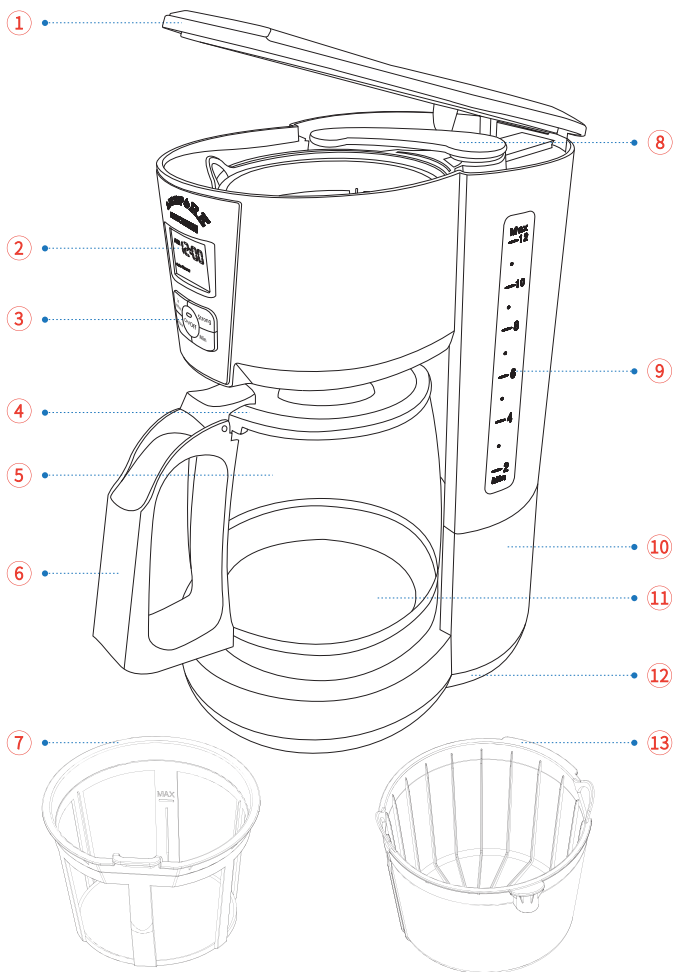
SAFETY INSTRUCTION

Please read this user manual carefully and follow all instructions before using the product. Failure to follow the instructions in this user manual may result in serious injury and/or product damage.

- Before using the coffee maker for the first time, REMOVE and DISPOSE OF all packaging material and promotional labels carefully.
- When unpacking the coffee maker, double-check that you received all of the indicated parts before discarding the packaging.
- Make sure power supply matches voltage indicated on this product before use.
- DO NOT place any part of product on or near gas, electric burner and in a heated oven.
- DO NOT let the cord hang over edge of table or counter or touch the hot surface.
- DO NOT place the coffee maker in a cabinet when in use.
- DO NOT operate the product with a damaged cord or plug, if its main cord is damaged, it must be replaced by the manufacturer, the nearest service agent or a qualified person.
- Using an accessory NOT recommended by the manufacturer for use with this appliance may result in fire, electric shock, or injury to persons.
- DO NOT immerse appliance, cord, or plug in water or other liquid.
- DO NOT place the base in dishwasher.
- Always unplug from outlet when not in use and before cleaning.
- TO disconnect the machine from power outlet, gently grasp the plug and remove, DO NOT pull the cord.
- DO NOT use the product for other unintended purpose and place it in a dry storage.
- DO NOT leave the coffee maker unattended while it is operating.
- The appliance should NOT be operated by children NOR shall play with the appliance.
- DO NOT let children or people with reduced physical or mental capabilities to use or clean the coffee maker.
- While operating the appliance, care should be taken to NOT get burned by the steam.
- DO NOT touch hot surface of the coffee maker, use handles or knobs only. Heating element surface is subjected to residual heat after use.
- Never use the appliance if the coffee pot shows any signs of cracks.
- TO prevent accidental scalding injuries do not remove the lid during or immediately after the brewing cycles. Allow to cool before opening the lid.
- Never use the coffee Maker without water inside.
- Make sure to stand the appliance on a table or flat surface.
- Only use the Coffee Pot that came with this product. It should be used carefully since the Coffee Pot is very fragile.
- The coffee maker coffee pot is designed to be used with this appliance; it must NEVER be used on a range top.
- DO NOT put a hot coffee pot on a wet or cold surface.
- DO NOT let sudden temperature changes, like washing, filling, rinsing, or immersing a hot coffee pot with cold liquids.
- DO NOT use a cracked coffee pot or a coffee pot with loose handle to prevent burning and possible injuries.
- DO NOT use cleansers, steel wool pads, or other abrasive material for cleaning the coffee pot. When cleaning, only use a soft cloth and mild detergent.
- DO NOT brew coffee without full assembling of all parts.
- DO NOT overfill the water reservoir. It should be under the maximum indication line.
- When assembling, using, or storing the coffee maker, DO NOT put anything on top of it.
- Place the device at least 20 cm away from walls, drapes, and other heat or steam-sensitive materials, with enough space above and on all sides to allow for air circulation.
- Make sure to keep your coffee machine clean at all times. Follow the cleaning instructions in this user manual.
- DO NOT attempt to disassemble this appliance for any reason. If your coffee maker is broken or no longer functions properly, immediately discontinue use and contact customer support.
- This appliance is intended to be used in household and similar applications such as:
 - staff kitchen areas in shops, offices and other working environments
 - farmhouses
 - by clients in hotels, motels and other residential-type environments
 - bed and breakfast-type environments
- Misuse may cause injury.
- Heating element surface is subjected to residual heat after use.

**KEEP THESE INSTRUCTIONS IN A SAFE PLACE
FOR FUTURE REFERENCE**

PARTS NAME



① Top Cover

② LCD

③ Setting Button

④ Coffee Pot Lid

⑤ Coffee Pot

⑥ Handle

⑦ Mesh Filter

⑧ Spout

⑨ Water Gauge

⑩ Water Tank

⑪ Warming Plate

⑫ Bottom Cover

⑬ Filter Basket

GETTING TO KNOW YOUR COFFEE MAKER

Introduction

AusBrew-1812 programmable coffee maker with 1.8 Liter Coffee Pot capacity is designed to work in three modes: Connected, Normal Brew and Auto Brew. These features allow the user to conveniently brew the coffee immediately or in a desired preset time.

LED Display & Control Panel



- A. AM/PM indicator
- B. Auto Brew mode indicator
- C. Set Auto Brew button (Programming Auto Brew)
- D. Hour button (Setting hour of time)
- E. Clock/Auto Brew time indicator
- F. Strong indicator (Coffee strength option)
- G. Strong button (Enabling Strong function)
- H. On/Off button (Turning on or off)
- I. Min button (Setting minute of time)

BEFORE THE FIRST-TIME USE

Your coffee maker in the package needs to be unpacked with caution because it includes fragile parts such as coffee pot. To safely use for the first time, the following instructions should be followed as described.

1. Unpack the coffee maker carefully.
2. Remove plastic bags, cartons, and any tape on the unit
3. Clean the coffee maker by below steps:
Wash the Coffee Pot lid, Filter Basket and Mesh Filter in a mild detergent and water mixture, then rinse thoroughly. Close the lid once you've replaced all of the parts.
4. Operate the machine for the first time by below steps:
 - a. Plug the coffee maker into the outlet.
 - b. Fill the coffee pot with cold water
 - c. Open the top cover lid and add the water from the coffee pot into the water tank.
 - d. Place the coffee pot in its original position and close the top lid.
 - e. Then, using only water in the coffee machine, perform a brew cycle by pressing the **On/Off** button. The light above the **On/Off** button will illuminate, and water will start to drip off.
 - f. When your coffee machine has finished brewing, press the **On/Off** button again to turn it off.
 - g. Drain the water from Coffee Pot, let it cool down along with lid, and detachable filter basket, then rinse with warm water.
 - h. Dry thoroughly and wipe the exterior of the machine with a soft and damp cloth only.
 - i. Your coffee maker is now ready to use.

IMPORTANT NOTES: **DO NOT** put the Coffee Pot, electrical base, power cable, or plug in the dishwasher, and **DO NOT** submerge them in water or other liquids. The Advanced Water Filtration holder is dishwasher safe. Advanced Water Filtration Cartridges, on the other hand, are **NOT** dishwasher safe, so avoid putting them in there.

GETTING STARTED

Operation Modes

Your coffee maker has three states of operation once it is connected to the power source. Via the control buttons, each mode can be set to operate accordingly.

1. Connected Mode

The coffee maker automatically remains in connected mode when plugged in. After setting the clock, the LCD will show AM 12:00 and the indicator will light up for 15 seconds. The screen will switch off after 15 seconds unless a key is pressed again.

2. Normal Brew Mode

You can start brewing your coffee in normal brew mode by pressing the **On/Off** button once. The indicator light (above the **On/Off** button) will turn on and illuminate in red during normal brewing mode operation.

Normal Brew Mode Function-1 (Pause-for-a-Cup Function)

This function enables in the normal brewing mode. When you remove the pot to have only a cup, the coffee will stop dripping from the filter for 20 seconds. When the coffee pot is returned to its base, the coffee in the filter resumes dripping into the pot.

NOTE: Since Pause-for-a-Cup Function is set for just a few seconds, the user should immediately reposition the pot to avoid overflowing from filter basket.

Normal Brew Mode Function-2 (Keep-Hot Function)

Keep-Hot Function automatically enables with red-light flashing once the water in the water tank is used up. This function commands the coffee maker to heat the coffee pot for 2-h. After 2-h, the red-light indicator turns OFF, and the machine goes to connected mode.

NOTE-1: If you serve entire coffee inside the pot, press the **On/Off** button to leave Keep-Hot function manually.

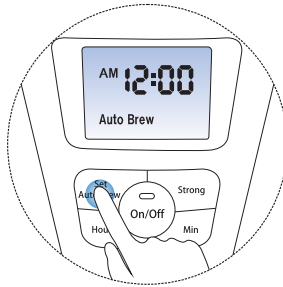
NOTE-2: For selecting Normal Brew Mode, if the machine is active in Auto Brew Mode, press the **On/Off** button twice. The green light indicator will then turn to red light and start brewing coffee.

3. Auto Brew Mode

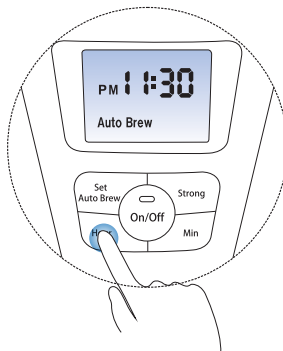
This operation mode is designed for auto-start brewing or programming a scheduled time for the coffee maker to brew. To entering **Auto Brew** mode from connected mode, the following simple steps are required.

NOTE: Prior to operating **Auto Brew** mode, the clock should be calibrated to local time by pressing the **Hour** and **Min** buttons. Once the time is set, the LCD displays the local time.

Step-1: Press **Set Auto Brew** key for setting the desired time for brewing your coffee. The LCD shows **Auto Brew** flickering and is ready for setting the scheduled time.



Step-2: Simply press **Hour** and **Min** keys to select brewing time. The scheduled time will display on LCD.

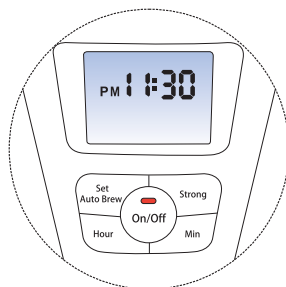


Step-3: Press **On/Off** button once, the light above **On/Off** button will light up in green colour, the **Auto Brew** indicator on the screen appears and the coffee maker directly enters **Auto Brew** mode.

NOTE: For canceling Auto Mode, press **On/Off** button once.

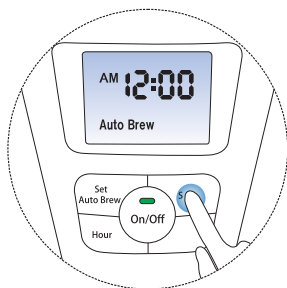
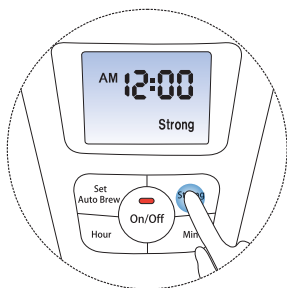


Step-4: Once the scheduled time is reached, the indicator light turns red, and the machine starts brewing.



Optional coffee strength feature

The **Strong** indicator will be displayed on LCD representing strong coffee brewing by pressing the **Strong** button at any operation mode. By pressing the **Strong** key again, the **Strong** indicator goes off for normal coffee brewing.



CLEANING AND CARE

Care should be taken for last longing and perfect operation of your Auspure coffee maker. Make sure to properly clean on a regular basis and follow the provided instructions in this user manual.

1. Before cleaning make sure the machine is turned OFF by pressing the **On/Off** button.
2. Disconnect the machine from power source and allow the coffee maker to cool.
3. Never immerse the appliance in water.
4. Clean the appliance with a damp cloth only.
5. Use gentle, non-abrasive cleaning to avoid scratching the coffee pot. Scratches on the coffee pot may cause it shatter and unusable. A scratched coffee pot is not allowed to be used due to safety.
6. The coffee pot can be cleaned with warm water, some washing-up liquid and soft brush. Do not clean the coffee pot in the dishwasher.

DESCALING

Mineral deposits tips

Water minerals (calcium/limestone) leave deposits in your coffee maker, reducing its efficiency. To make sure your coffee maker goes for producing perfect coffee, it should be descaled from time to time depending on hardness of the used water and how often you use the coffee maker. It is advised that you use vinegar to eliminate these deposits on a regular basis to not affect the brewing time.

If the coffee maker is used once or twice a day, the following points should be considered.

- When water in your area or the water you use in your coffee maker is soft, every 5 to 6 months descaling is recommended.
- For medium water, every 2-3 months.
- For hard water, once a month.

In case the brewing time increases suddenly, descaling is recommended. The harder the water in your area, the more often the coffee maker needs to be descaled.

NOTE: the hardness of the water in your area can be advised at your local water provider utility.

Mineral deposits removal

For the proper removal of mineral deposits, the following steps should be considered.

1. Use two-thirds cold tap water and one-third white vinegar to fill your water tank up to maximum level.
2. Check to see that the filter holder is securely in place. Close the lid of the water tank.
3. Assemble the coffee pot with the cover attached and place it directly onto the hot plate.
4. Press the **On/Off** button to allow the mixture dripping thoroughly until the cycle is complete.
5. As soon as you're done with your cycle, drain the coffee pot and place back to its position. Refill the tank with fresh drinking water.
6. Press again the **On/Off** button and allow complete brewing. Rinse the coffee maker with hot water.
7. Drain the coffee pot water and rinse thoroughly with warm clean water.
8. Repeat steps 5 to 7 one more time to ensure it is completely rinsed and cleaned.
9. Reposition the coffee pot on the hot plate and the machine is ready to provide your dream coffee!!

NOTE: Descaling process should be applied periodically as recommended. Depending on your high or less usage, it may require more or less often to be descaled.

FREQUENTLY ASKED QUESTIONS

What kind of coffee shall I use?

Drip coffee makers typically work best with a medium grind size, so we recommend to use medium grind size using this machine

How much coffee do I need to add?

It is recommended to use 7-8 grams (about a tablespoon) of ground coffee for about every 120-160 ml of water, however, the amount of coffee can also be adjusted to your taste.

What is the Max quantity?

The Coffee Maker can make 12 coffee cups. Add no more than 10 levels of measuring spoons of coffee at a time to avoid overflow.

How much water should I add to the Water Tank?

It depends on how many cups of coffee you want, if you want 12, fill the water tank to the maximum capacity (1.8 Liter)

How much coffee can I put into the mesh filter at once?

Max 60 grams (around 10 spoons)

NOTE: If you want to have a try for taste can choose half water and half powder firstly and you can have a try taste whether suitable if still think strong, you can put more water or less coffee next time. The machine has a strong button, don't choose it if don't want strong taste.

TROUBLESHOOTING

NO	PROBLEM !	POSSIBLE CAUSE & SOLUTION ✓
1	Coffee maker cannot be turned on.	Ensure that the appliance is plugged properly into a functioning outlet.
2	There is a leakage from coffee maker.	<ol style="list-style-type: none"> 1. Make sure the coffee maker water tank does not exceed the 12-cup MAX line. 2. Ensure that the coffee pot's lid is securely fastened or placed correctly. 3. Make sure the coffee pot is properly positioned on the coffee pot plate.
3	The coffee maker's brew basket is overflowing.	<ol style="list-style-type: none"> 1. When using "Pause for a Cup Function", the coffee pot may have not been repositioned to its place within 20 seconds. Make sure to place the coffee pot back to its position within 20 seconds while the coffee maker is brewing. 2. There is an excessive amount of coffee BEING utilised. To avoid brew basket overflows, reduce the amount of coffee used.
4	In a brewed cup of coffee, there is a coffee sediment.	The brew basket filter is not correctly positioned. Make sure the basket filter is correctly firmed into the basket holder.
5	The coffee machine takes a long time to brew.	It's time to clean the coffee maker. Follow the "Descaling" section's instructions.

STORAGE



If not using your coffee maker for an extended period of time, the following points must be considered for safe storage.

- Press the **On/Off** button to turn it off, then unplug from the power outlet.
- Make sure all of the water has been drained from the coffee maker.
- In warm and soapy water, clean the mesh filter basket and holder, as well as the coffee pot and lid. Then thoroughly rinse and dry.
- Replace all of the coffee maker's parts and close the water tank cover.
- Store in a dry and safe place in upright position.
- Do not store anything on the top of the coffee maker.

DISPOSAL



- To prevent possible harm to the environment or human health from uncontrol waste disposal, separate the unneeded coffee maker and its related accessories from other types of waste.
- Ask your local council where to dispose of your coffee maker and its related accessories.
- You should not throw your coffee maker and its related accessories away with the daily normal household waste.

WARRANTY INFORMATION

Auspure Coffee Maker is designed and manufactured to the highest quality standards. Your Coffee Maker is covered for parts and labour for 2 years, which includes 1-year standard warranty and 1-additional year upon registration (free of charge within 14 days) from the date of purchasing.

WARRANTY INFORMATION TABLE

Product Name	Auspure EasyDrip Coffee Maker
Model	AusBrew-1812
Default Warranty	1-Year Standard Warranty
Additional Warranty	1-Year extendable warranty by simply registering to www.auspure.com/au within 14-day of original purchase
Purchasing Date/...../.....
Order Number	
Purchasing Store	

This warranty and disclaimer applies to all products purchased via the website www.auspure.com/au (hereinafter “Products”) or a third-party seller authorised by Auspure.

Note: When the product is purchased from an authorised third-party seller, for warranty claim, return and replacement of a defective product, the inquiry should be lodged via the related third-party seller.

(1) Warranty Against Defects

1.1 For Brand-new Products:

We provide a 12-month standard warranty against defects with the Products, from the date of purchase.

We provide an optional additional free 12-month extended warranty against defects with the Products (resulting in a 24-month warranty against defects with the Products, from the date of purchase).

In order to claim the additional 12-month extended warranty, you must register your Product (free of charge) online at www.auspure.com/au, within 14 days of the date of purchase. While registering, make sure that the related data entry including the date of purchase is accurate.

In the event of a defect with the Product, you may be entitled to have the Product replaced. In order to be entitled to a replacement Product, you must:

- immediately stop using the Product; and
- notify us of the defect during the warranty period.

In order to claim a replacement Product, you must contact us using the details at the CUSTOMER SUPPORT section, to notify us of the defect, providing your proof of purchase and warranty registration confirmation as well as your contact details.

You may either:

- return the product for our further investigation; or
- send us a video of the defective Product, which demonstrates our reasonable satisfaction that the Product is defective, and undertake to safely dispose of the defective Product. For safety reasons, you must not continue to use the defective Product.

Upon receipt of the defective Product, or a video of the defective Product, we will inspect it. If the defect is the result of a manufacturer fault, we will determine if the fault requires a replacement or repair and either send you a replacement Product or effect a repair.

This warranty against defects is in addition to any other rights and remedies to which you may be entitled under Australian law.

To Clarify:

What is covered by the warranty:

- The repair or replacement of your Auspure product (at Auspure's discretion) if the product is found to be defective due to faulty manufacture. Auspure reserves the right to determine if the fault requires a replacement or repair.
- Packaging and instructions of a faulty product may also be replaced if damaged.
- This warranty is valid for using your personal use of your device within Australia only.

What is not covered by the warranty:

- Using the products for commercial purposes, or anything other than normal domestic personal use.
- Use of the product outside Australia.
- Accidental damage or faults caused by negligence, misuse, vandalism or neglect.
- Damage or faults caused by not following the instructions in the user manual.
- Unsupervised use by children under the age of 18.
- Repairs or alterations carried out by parties other than Auspure or an authorised agent.
- Any other conditions not listed above, are not covered by Auspure warranty.

1.2 For Renew Products:

A renewed Product, which is purchased from a seller that is authorised by Auspure, is only covered under six months warranty and is not eligible for the free warranty extension.

1.3 For Replacements:

Replacement of a brand-new Product is only covered by the one-year standard warranty from the date of replacement arrangement and is not eligible for the one-additional year free warranty extension.

Replacement of a renewed Product that is purchased from a seller and is authorised by Auspure is only covered by six months warranty from the date of replacement arrangement and is not eligible for the free warranty extension.

(2) Australian Consumer Law

Our goods come with guarantees that cannot be excluded under the Australian Consumer Law. You are entitled to a replacement or refund for a major failure and compensation for any other reasonably foreseeable loss or damage. You are also entitled to have the goods repaired or replaced if the goods fail to be of acceptable quality and the failure does not amount to a major failure.

(3) Disclaimer

You are solely responsible for evaluating the Product and determining whether it is fit for your purpose.

You acknowledge and agree that Product is not safe for use by children.

You acknowledge and agree that working with the Product is dangerous and carries the risk of electric shock, burns, lacerations, other injuries and death.

You acknowledge that you use the Product at your own risk and that you are responsible at all times for evaluating whether or not it is safe to use the Product.

(4) Limitation of Liability

In addition to the requirements set out in clause 1 of this warranty and disclaimer document, the warranty provided under that clause will not apply:

- if a defect with the Product results in any way from some act or omission by you in relation to the appropriate care, maintenance and/or use of the Product; or
- if a defect with the Product results from ordinary wear and tear; or
- if you fail to follow our or the manufacturer's instructions for care, maintenance and/or use of the Product; or
- if you are unable to provide proof of purchase.

Except as otherwise provided by law, we accept no liability for any loss, damage or injury which may arise in any way from the use of the Product by you or by any other person.

Except as otherwise provided in this warranty and disclaimer, to the maximum extent permitted by law, we exclude all conditions and warranties implied by custom, law or statute, and we expressly disclaim all warranties of any kind including but not limited to implied warranties that the Product is fit for a particular purpose.

You hereby agree that we are not liable for any direct, indirect, consequential or incidental loss or damage which may result from your use of the Product.

Except as otherwise provided by law or as otherwise set out in this warranty and disclaimer, our liability to you shall be limited to the cost of replacement of the Product, together with your reasonable costs of postage and/or delivery in connection with your returning of the Product.

(5) Indemnity

You agree to defend, indemnify and hold us and our officers, directors, employees, contractors, members, agents and licensees harmless from and against any and all claims, charges, actions, liabilities, investigations, demands and similar including but not limited to any costs, losses, or damages whether direct, indirect, consequential or special and all legal fees resulting from your use of the Product, including but not limited to any third-party claims.

DEFECTIVE PRODUCTS AND RETURNS

Proved defective product meeting the specified warranty period, should be contacted Customer Support via support.au@auspure.com addressing your order number. Make sure to NOT dispose of your product before contacting us. Once our Customer Support Team has reached your request approval, please return the unit with its order number.

AUSPURE CUSTOMER SUPPORT

Feel free to contact our helpful customer support team with any questions regarding your product!

Your satisfaction is our priority.

Ausbrilliant. PO Box 2, Ermington NSW 1700, Australia

www.auspure.com/au

support.au@auspure.com

Please provide your order number when you contact our customer support services.

AUSPURE KITCHEN



Questions or Inquiries?
support.au@auspure.com
V2.0123