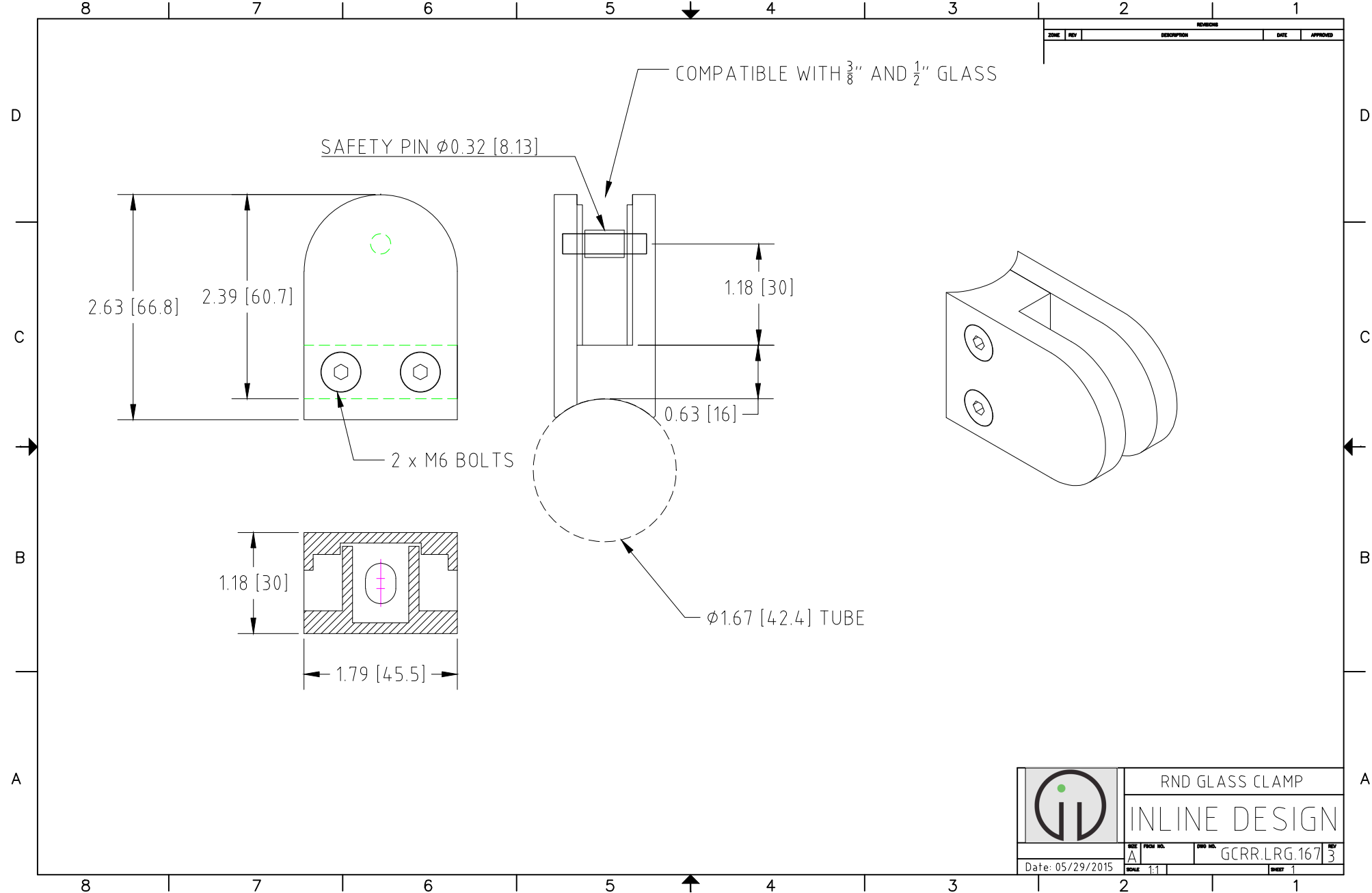


05/29/2015 RND GLASS CLAMP WITH ROUND BACK

ZONE		REV	DESCRIPTION	REVISIONS	DATE	APPROVED



	RND GLASS CLAMP	
	INLINE DESIGN	
Date: 05/29/2015 SCALE: 1:1	SHEET NO. Δ DRAW NO. GCRRLRG.167	REV. 3