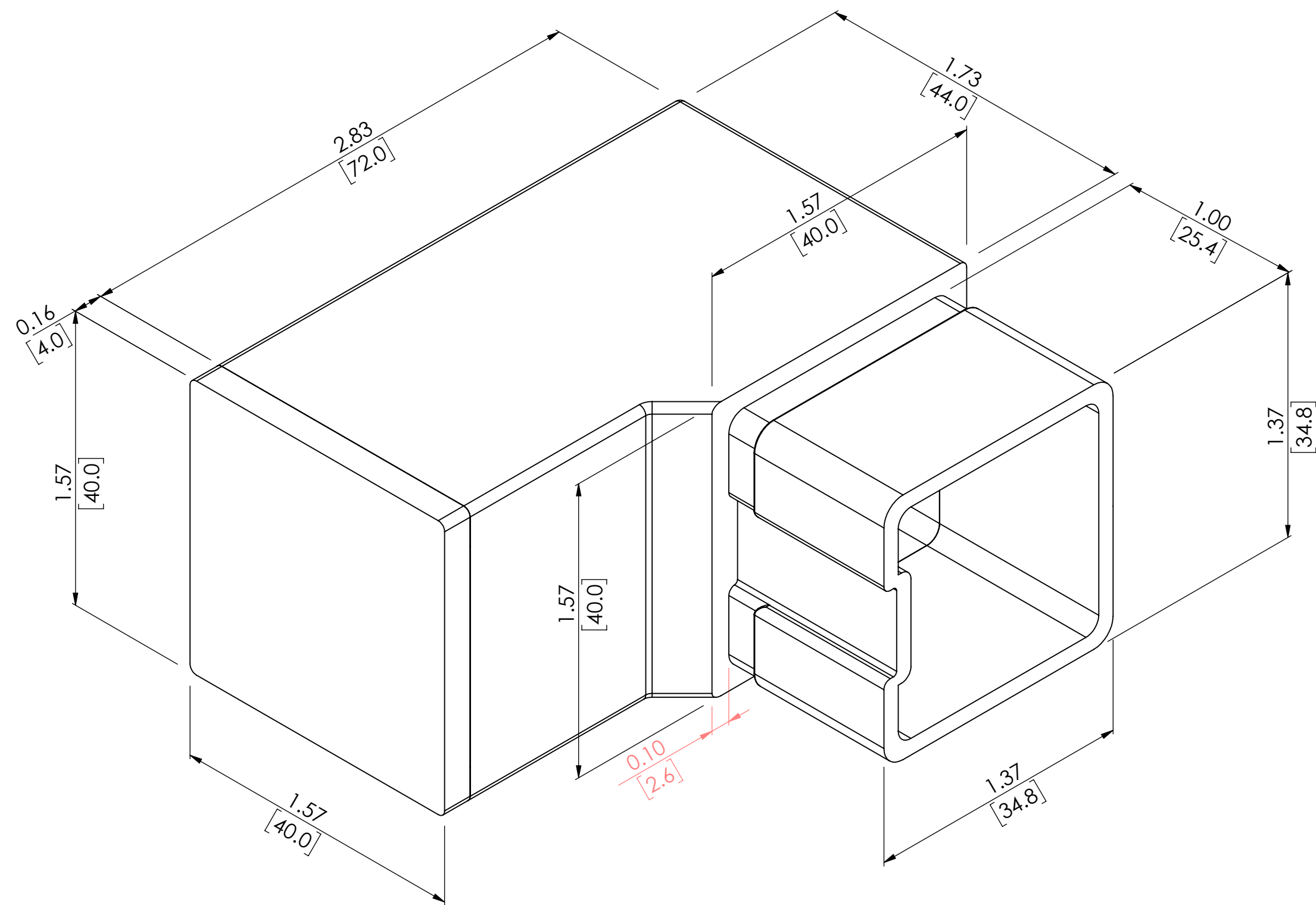


2

1

B

B



A

A



SQUARE FLUSH ANGLE 90° END CAP WALL RETURN FOR TUBE (2.6MM)

SKU: FA5.090.157

UNITS: INCHES/[MM]

2

1