

Quick Installation Guide

Glass Clamp Adapter Standoff SKU: GA.RND

Overview

This guide offers detailed steps for installing Glass Clamp Adapter Standoff .

Parts (Fig 2)

1. Wall Flange
2. Main Body
3. 2 Gaskets
4. Cover

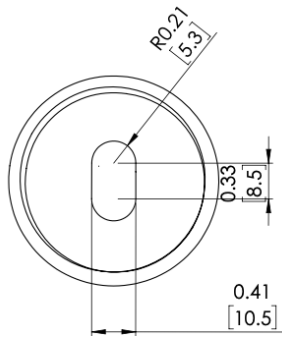


Fig 1: Fastener Mounting Slot

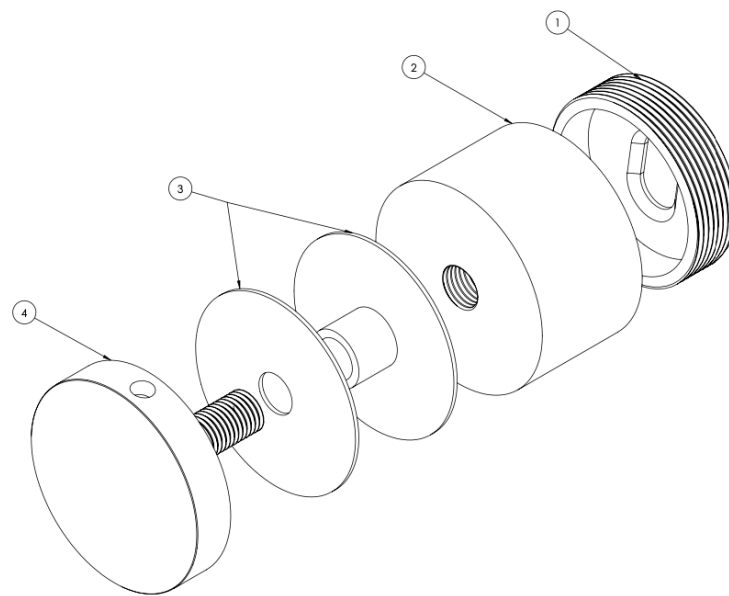


Fig 2

Instructions

- 1) Mount the Wall Flange (part #1) to the wall using the appropriate fastener to your field conditions. i.e. use Lag Screw or Nut & Bolt for wood, concrete anchor for concrete. Refer to Fig 1.
- 2) Hand screw/tighten the Glass Adapter Main Body (part #2) to the Wall Flange (part #1).
- 3) Insert the first gasket (part #3) then the glass then the second gasket.
- 4) Hand screw/tighten the Cover (part#4).