

The above drawings and specifications and ideas, designs and arrangements represented thereby are and shall remain the property of the Inline Design Group and no part thereof shall be copied, disclosed to others, resold or used in connection with any work or project other than the specified project for which they have been prepared and developed without the written consent of the Inline Design Group. Visual contact with these plans or specifications shall constitute conclusive evidence of acceptance of these restrictions. Written dimensions on these drawings shall have precedence over scaled dimensions; contractor or homeowner shall verify and be responsible for all dimensions and conditions on the job, and Inline Design Group must be notified on any variations from the dimensions and conditions shown by these drawings. Shop details must be submitted to Inline Design Group for approval before proceeding with fabrication.

SCALE:

n/a



CUSTOMER NAME:

Michael Hogan

ORDER NUMBER:

TBD

REVISION:

REV 1.01

MATERIAL:

ASTM A240

TOLERANCE:

+/- 1/16"

SIGNED

DATE

VT

06/15/2023

VT

06/16/2023

VT

06/20/2023

VT

06/22/2023

VT

06/27/2023

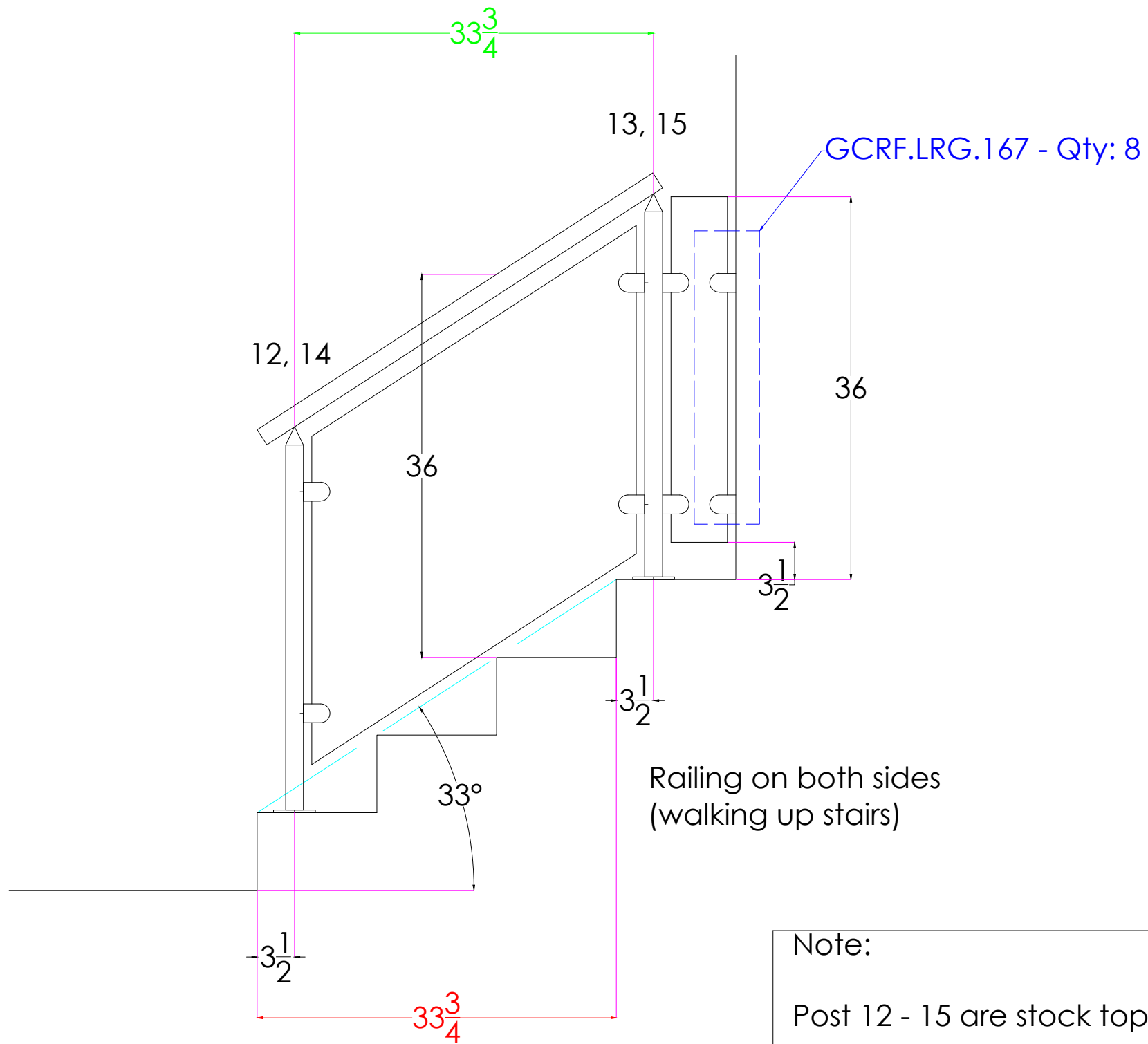
SHEET:

1 OF 3

6335 1st Ave. South Unit Main
Seattle, WA 98108
Tel: 425 405 5505
Fax: (866) 864-0608

<https://inlinedesign.com>
sales@inlinedesign.us
support@inlinedesign.us

DIMENSIONS ARE IN INCHES



Note:
Post 12 - 15 are stock top mount

The above drawings and specifications and ideas, designs and arrangements represented thereby are and shall remain the property of the Inline Design Group and no part thereof shall be copied, disclosed to others, resold or used in connection with any work or project other than the specified project for which they have been prepared and developed without the written consent of the Inline Design Group. Visual contact with these plans or specifications shall constitute conclusive evidence of acceptance of these restrictions. Written dimensions on these drawings shall have precedence over scaled dimensions; contractor or homeowner shall verify and be responsible for all dimensions and conditions on the job, and Inline Design Group must be notified on any variations from the dimensions and conditions shown by these drawings. Shop details must be submitted to Inline Design Group for approval before proceeding with fabrication.

SCALE:	
n/a	
SIGNED	DATE
VT	06/15/2023
VT	06/20/2023
VT	06/22/2023
VT	06/27/2023
SHEET:	3 OF 3



6335 1st Ave. South Unit Main
Seattle, WA 98108
Tel: 425 405 5505
Fax: (866) 864-0608

<https://inlinedesign.com>
sales@inlinedesign.us
support@inlinedesign.us

CUSTOMER NAME:

Michael Hogan

ORDER NUMBER:

TBD

DIMENSIONS ARE IN INCHES

REVISION:

REV 1.01

MATERIAL:

ASTM A240

TOLERANCE:

+/- 1/16"