

Installing Round Button Glass Panel Stabilizer

Overview

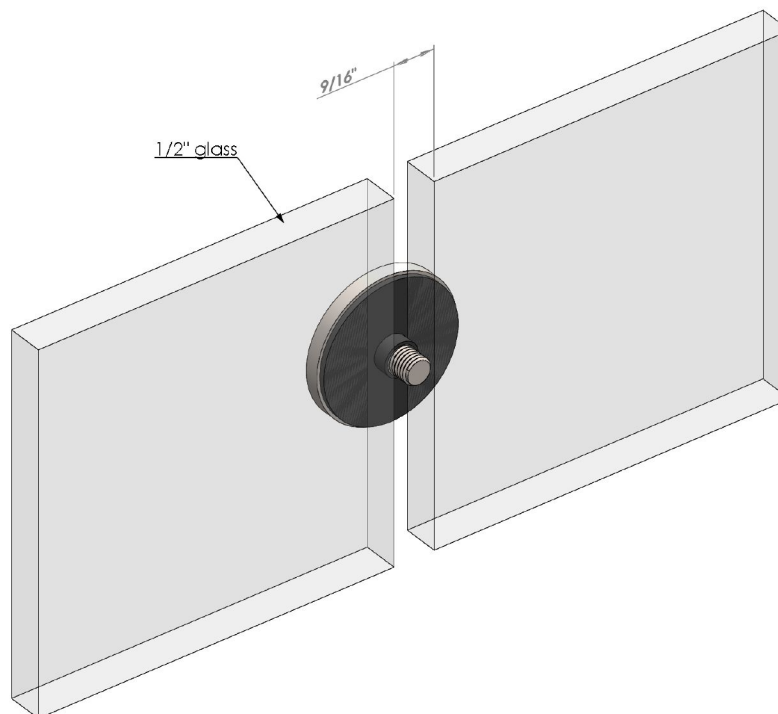
These instructions will provide step-by-step installation guidelines for installing the Round Button Glass Panel Stabilizer, RGC.BTN.167.

Caution: Wear protective ANSI approved safety glasses, working gloves and breathing mask at all times

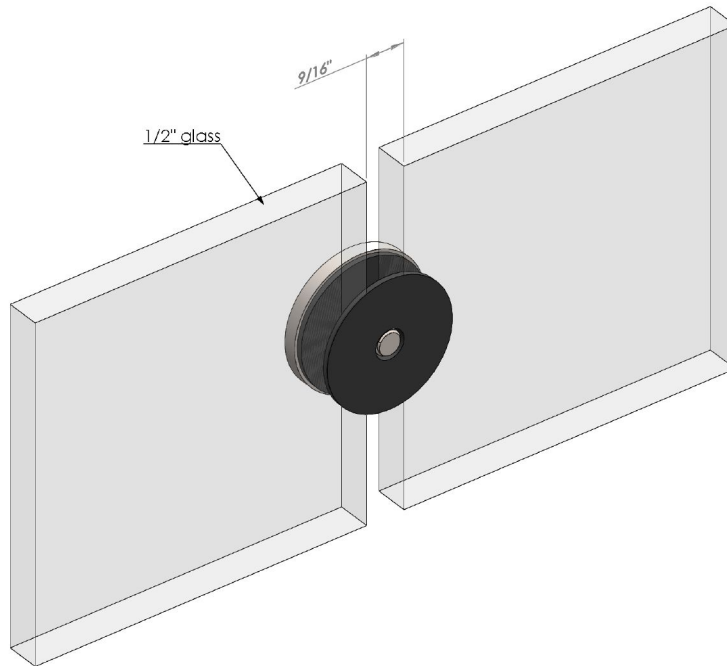


Instructions

Step 1: Screw the M8 threaded rod in one plate, attach one rubber gasket through rod and place the plate between the panels



Step 2: Attach the other rubber gasket through threaded rod



Step 3: Loosely screw the other plate through the threaded rod by hand and insert the Allen wrench through the slot to finish tightening the plate

