

Installing Handrail Bracket Magnetar Square Adjustable

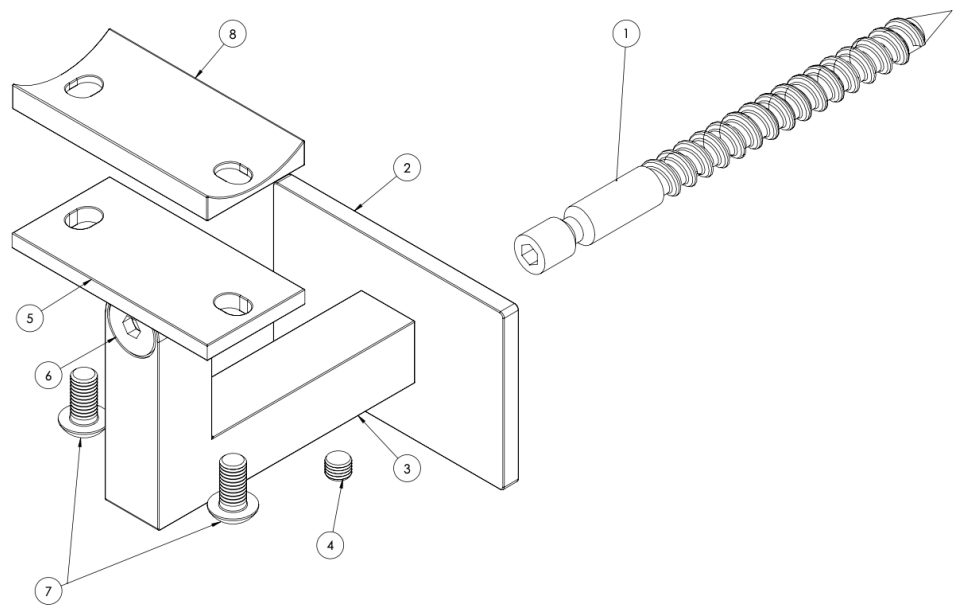
SKU: HBWA.017

Overview

This guide offers detailed steps for installing a Handrail Bracket Magnetar Square Adjustable into a wood stud.

Bracket Components (Fig 1)

1. Hanger Screw
2. Wall Flange
3. Bracket Body
4. M5 Set Screw
5. Pivot Saddle
6. M6 Countersunk Screw
7. 2 x M5 Button Head Screw
8. Round Saddle Adapter



Tools Required

1. Stud-Finder
2. Handheld Drill
3. 1/4" Drill Bit
4. 2.5, 4, & 5mm Hex Wrench
5. [M5x0.80mm Drill and Tap](#)

Instructions

- 1) Using a Stud-Finder, locate the middle of the wood stud. Spot drill using a 1/4" drill bit to avoid wood splitting.
- 2) Drive the Hanger Screw (part #1) into the pre drilled hole and secure the lag end of the stud using a 4mm Wrench. Desired distance from the wall is in between 1 3/16" to 1 1/4" as shown in Fig 2.
- 3) Mount the Wall Flange (part #2). Then the Bracket Body (part #3). Position/Rotate the flange and the bracket to the desired angle orientation and tighten the Hex Screw (part #4) using a 2.5mm Wrench.
- 4) Adjust the angle of Pivot Saddle (part #5) then tighten the M6 Countersunk Screw (part #6) using a 5mm Wrench. Optionally use the Round Saddle Adapter (part #8) to connect to a round handrail.
- 5) When mounting to steel handrail tighten the supplied 2 x M5 Button Head Screw (part #7) using a 4mm Wrench. Steel handrail needs to be [drilled and tapped for M5x0.80mm](#). If mounting a wooden handrail, customers must supply appropriate lag screw to replace the 2 x M5 Button Head Screw (part #7).

Fig 1

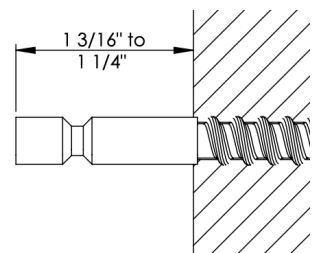


Fig 2

Useful Links

Drill & Tap Kit: <https://inlinedesign.com/collections/hardware/products/tools-tap-drill-metric-m5-m6-m8>

Install Handrails: <https://cdn.shopify.com/s/files/1/0481/5798/2883/files/Installing-Stainless-Steel-Handrails.pdf>

Note

A small amount of surface corrosion is not uncommon after some exposure to weather or salty conditions; we recommend using our [passivation solution](#) or a stainless steel polish to prevent surface corrosion; more information available [on our Engineering Specs Page](#)