

## Installing Handrail Bracket Magnetar Square Slim

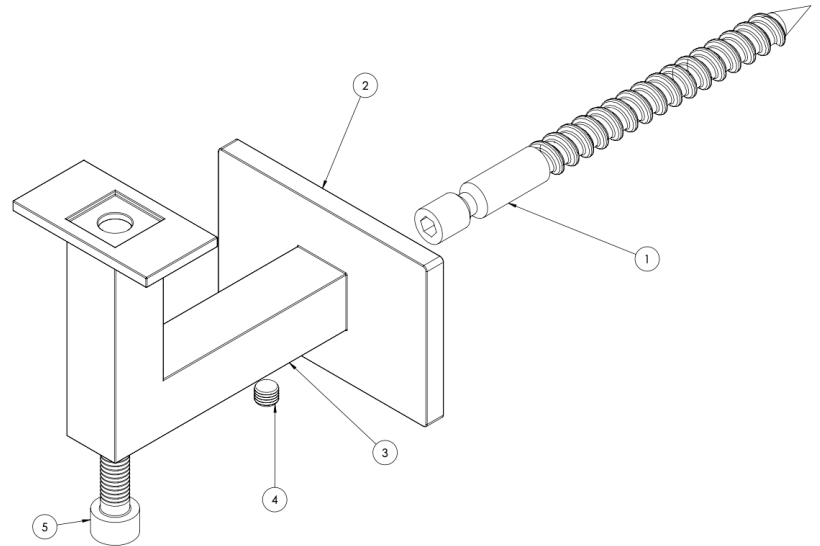
SKU: HBWA.009

### Overview

This guide offers detailed steps for installing a Handrail Bracket Magnetar Square Slim into wood studs.

### Bracket Components (Fig 1)

1. Hanger Screw
2. Wall Flange
3. Bracket Main Body
4. M5 Set Screw
5. M6 Socket Head Screw



### Tools Required

1. Stud-Finder
2. Handheld Drill
3. 1/4" Drill Bit
4. 2.5, 4, & 5mm Hex Wrench
5. [M6x1.00mm Drill and Tap](#)

### Instructions

- 1) Using a Stud-Finder, locate the middle of the wood stud. Spot drill using a 1/4" drill bit to avoid wood splitting.
- 2) Drive the Hanger Screw (part #1) into the pre drilled hole and secure the lag end of the stud using a 4mm Wrench. Desired distance from the wall is in between 1 3/16" to 1 1/4" as shown in Fig 2.
- 3) Mount the Wall Flange (part #2). Then the Bracket Main Body (part #3). Position/Rotate the flange and the bracket to the desired angle orientation and tighten the Hex Screw (part #4) using the 2.5mm Wrench.
- 4) When mounting to steel handrail tighten the supplied M6 Socket Head Screw (part #5) using a 5mm Wrench. Steel handrail needs to be [drilled and tapped for M6x1.00mm](#). If mounting a wooden handrail, customers must supply appropriate lag screw to replace the M6 Socket Head Screw (part #5).

Fig 1

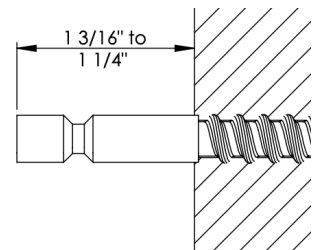


Fig 2

## Useful Links

Drill & Tap Kit: <https://inlinedesign.com/collections/hardware/products/tools-tap-drill-metric-m5-m6-m8>

Install Handrails: <https://cdn.shopify.com/s/files/1/0481/5798/2883/files/Installing-Stainless-Steel-Handrails.pdf>

## Note

A small amount of surface corrosion is not uncommon after some exposure to weather or salty conditions; we recommend using our [passivation solution](#) or a stainless steel polish to prevent surface corrosion; more information available [on our Engineering Specs Page](#)