

Installing Handrail Bracket Even Horizon

SKU: HBWA.016

Overview

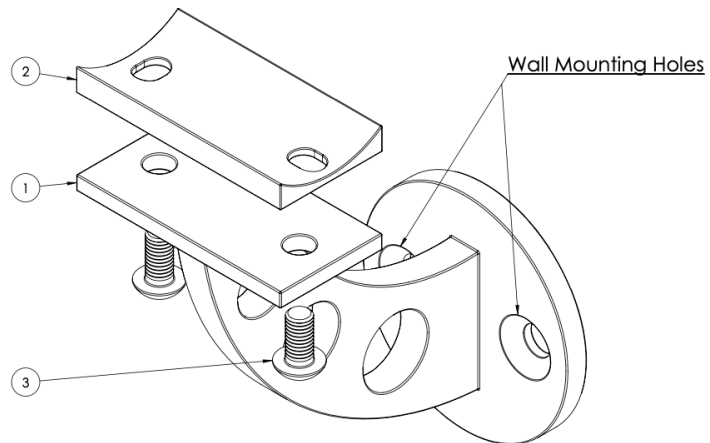
This guide offers detailed steps for installing a Handrail Bracket Event Horizon.

Bracket Components (Fig 1)

1. Bracket Main Body
2. Round Saddle Adapter
3. M5x0.8 Button Head Screw

Tools Required

1. 4mm Hex Wrench
2. [M5.08mm Drill and Tap](#)



Instructions

- 1) Use appropriate mounting fastener to the wall depending on your wall type. When mounting to wood use lag screws. When mounting to concrete use concrete anchors. Mounting hardware to the wall are not supplied depending on the field conditions
- 2) When mounting to steel handrail use the supplied M5 Button Head screws (part #3). Steel handrail needs to be [drilled and tapped for M5x0.8mm](#). Use Round Saddle Adapter (part #2) to attach to a round handrail. If mounting a wooden handrail, customers must supply appropriate lag screw to replace the M5 Button Head screws (part #5)

Useful Links

Drill & Tap Kit: <https://inlinedesign.com/collections/hardware/products/tools-tap-drill-metric-m5-m6-m8>
Install Handrails: <https://cdn.shopify.com/s/files/1/0481/5798/2883/files/Installing-Stainless-Steel-Handrails.pdf>