

## How to mount the bar holders

Visit our website for more information: <http://inlinedesign.com>

---

### Overview

Below are instructions for mounting a Bar Holder for our Bar system. The bar holders are made to fit our [Stainless Steel Square Bars](#).

**\*Caution:** Wear protective ANSI approved safety glass, working gloves and breathing mask all the times.

---

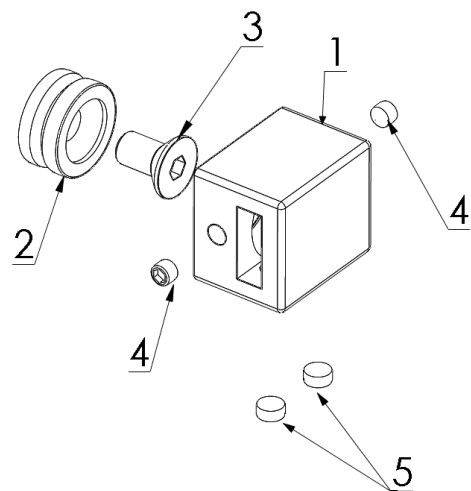
### Tools Needed

- 1) Various Allen Wrenches

---

### Bar Holder Components

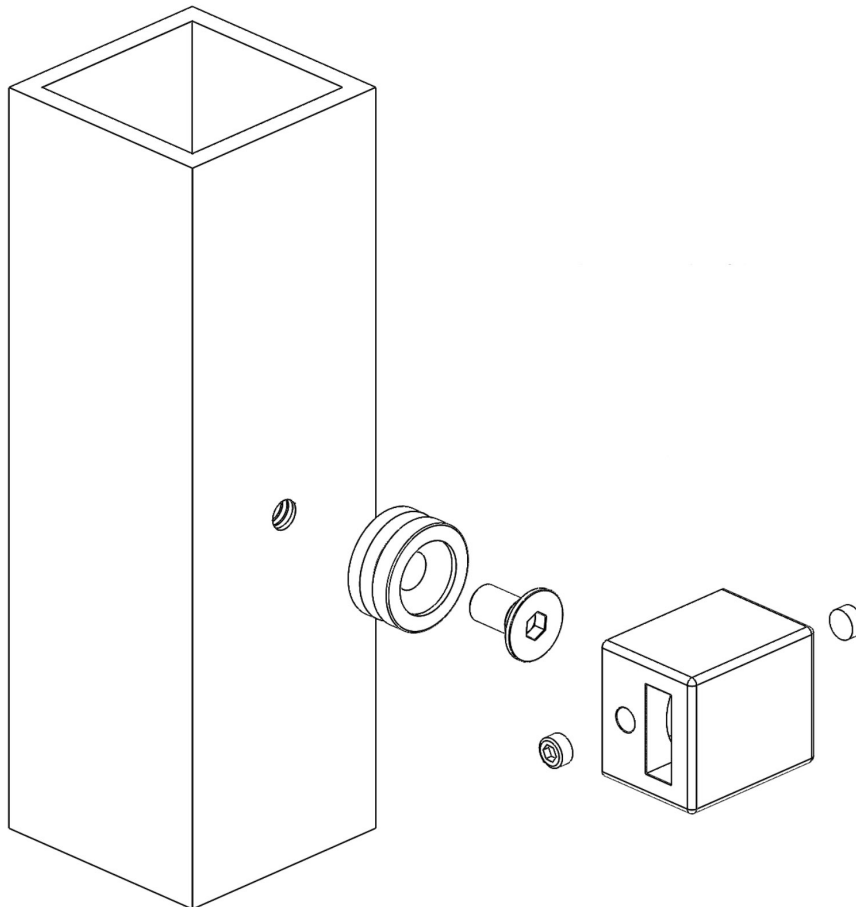
1. Bar holder main assembly
2. Bushing
3. M6 bolt
4. (2) set screws to secure the bushing
5. (2) set screws to secure the bar



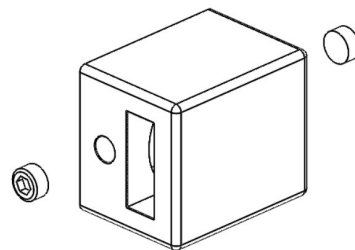
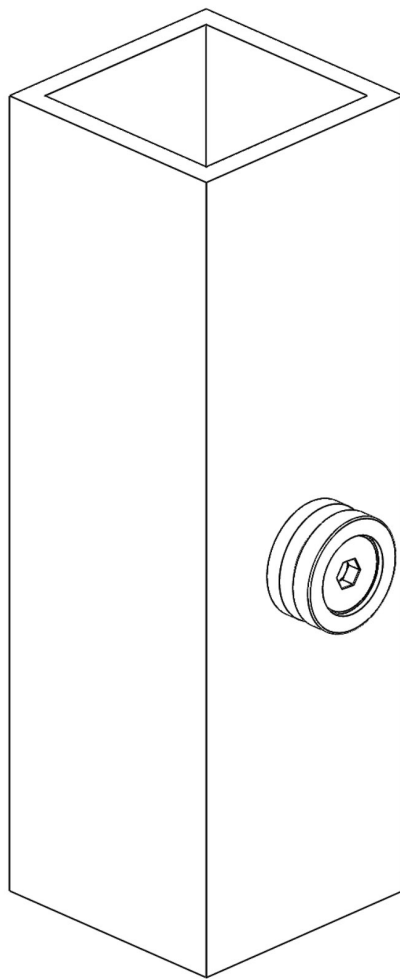
---

## Installation Instructions

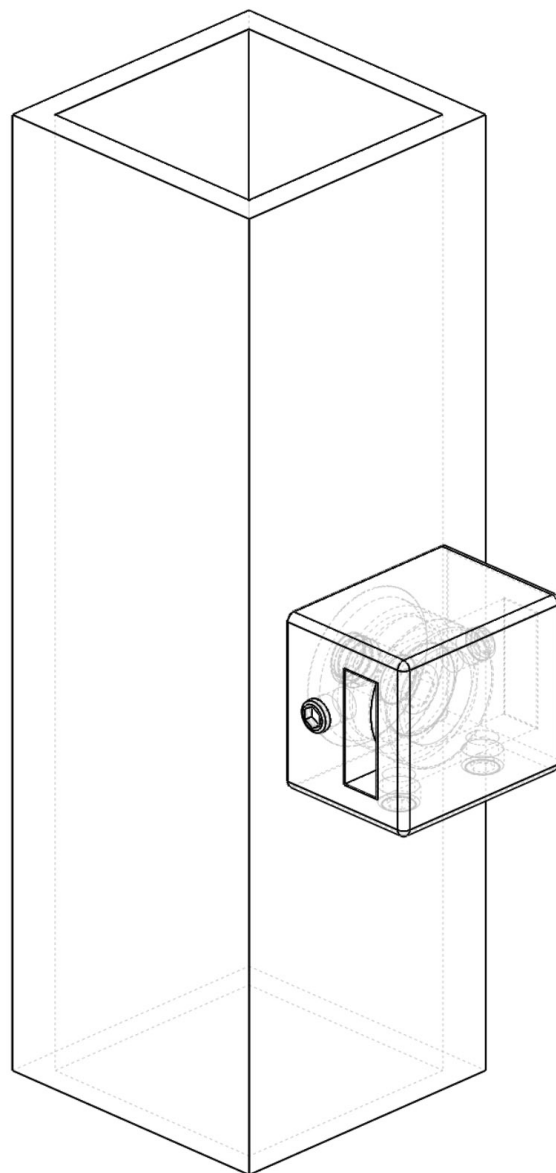
- 1) Unscrew the bushing (component 2) from the bar holder (component 1)



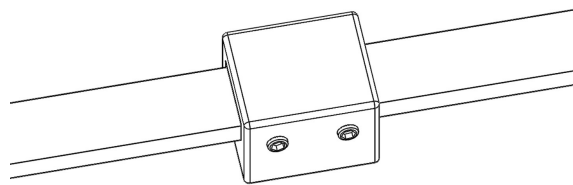
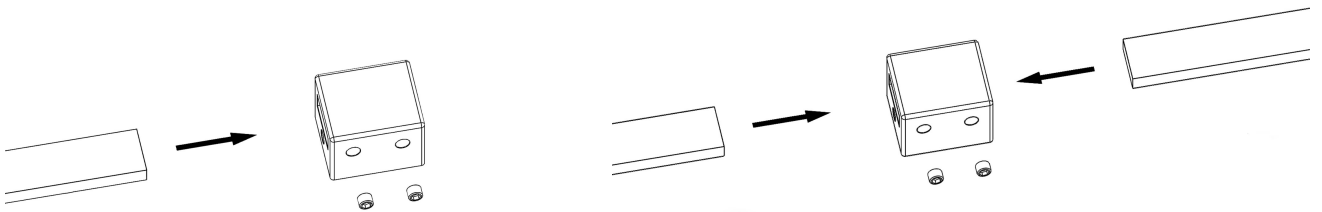
- 2) Screw M6 bolt (component 3) in the bushing of the bar holder (component 2) into the side of the post:



- 3) Insert the bar holder over the bushing then tighten the set screw (component 4). You may want to adjust the bar holder by turning it, then re-tighten the allen screw (component 4).



- 4) Insert one long bar through the side of the bar holder (component 1) or one shorter bar to each side of the bar holder and re-tighten the set screws (component 5) to secure them



---

*Note:*

*A small amount of surface corrosion is not uncommon after a some exposure to weather or salty conditions. We recommend using our passivation solution or some sort of stainless polish to keep any surf corrosion form happening.*

**Passivation Solution**

<https://inlinedesign.us/products/stainless-steel-passivating-kit-citrisurf-77-plus>