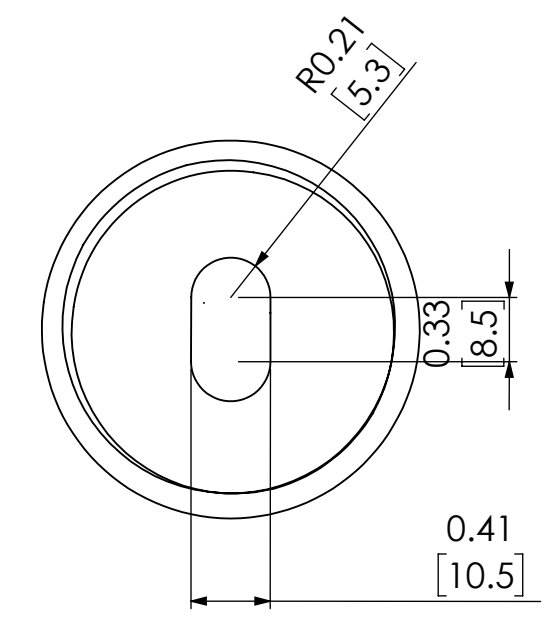
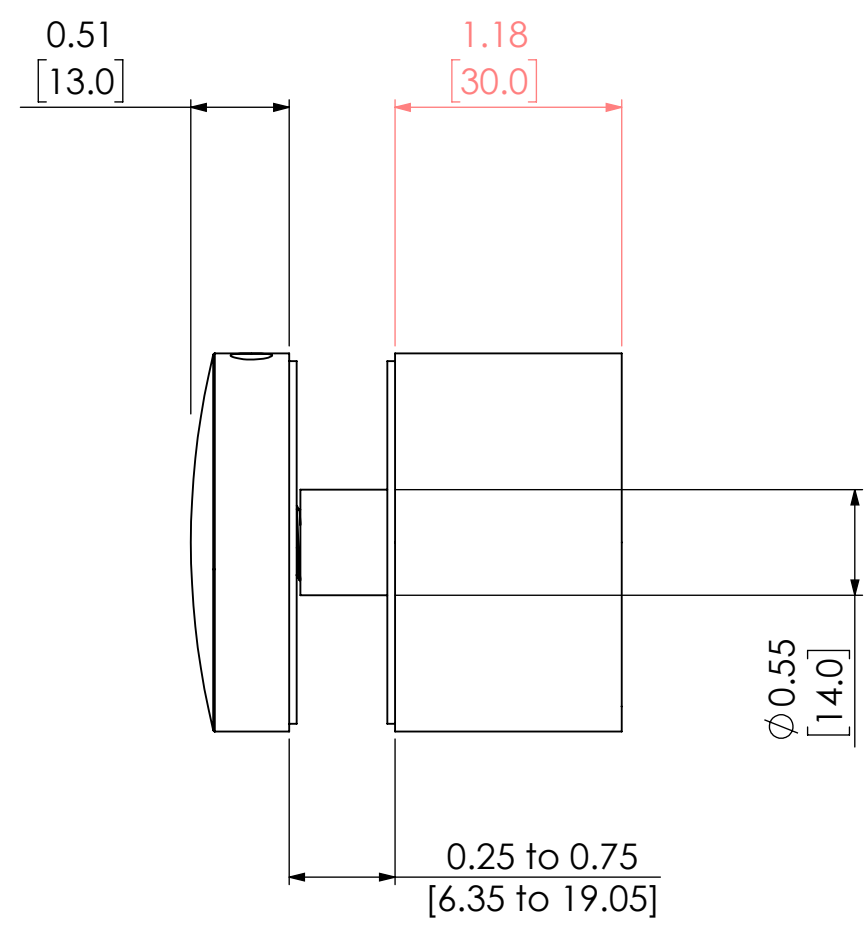


- 1. WALL FLANGE
- 2. MAIN BODY
- 3. GASKETS
- 4. COVER



FASTENER MOUNTING SLOT