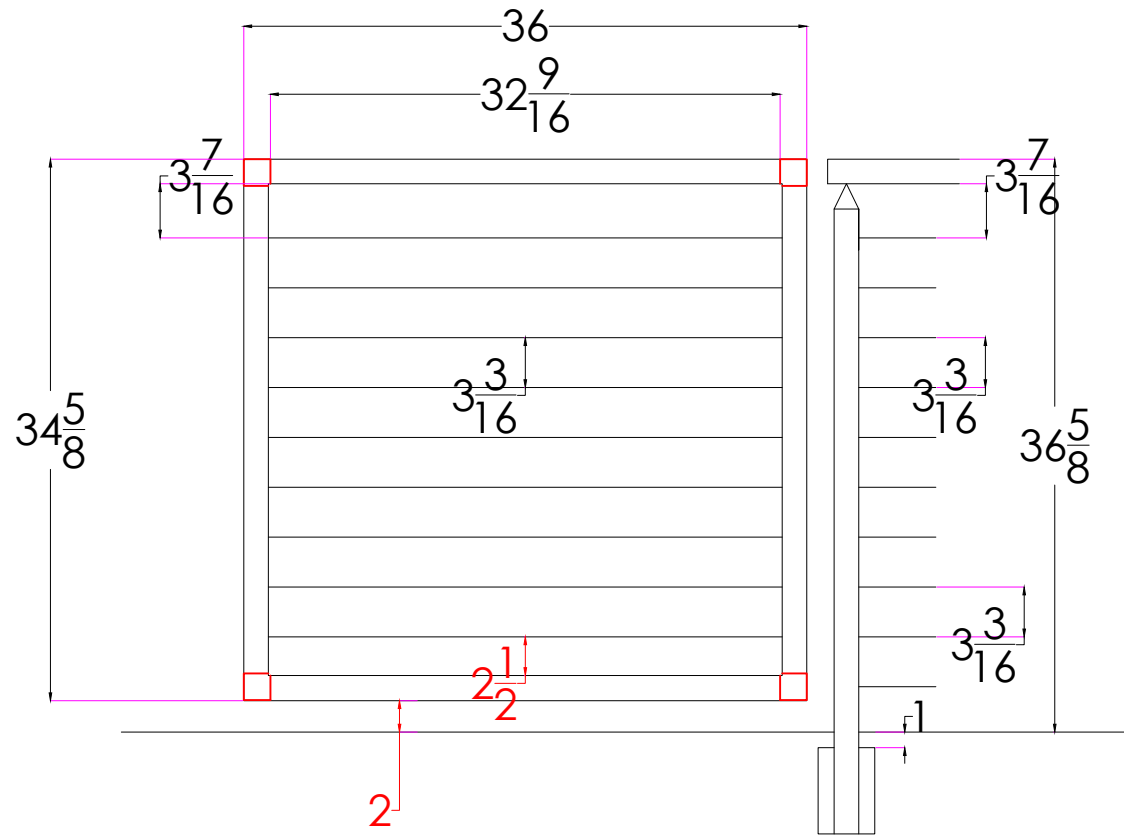
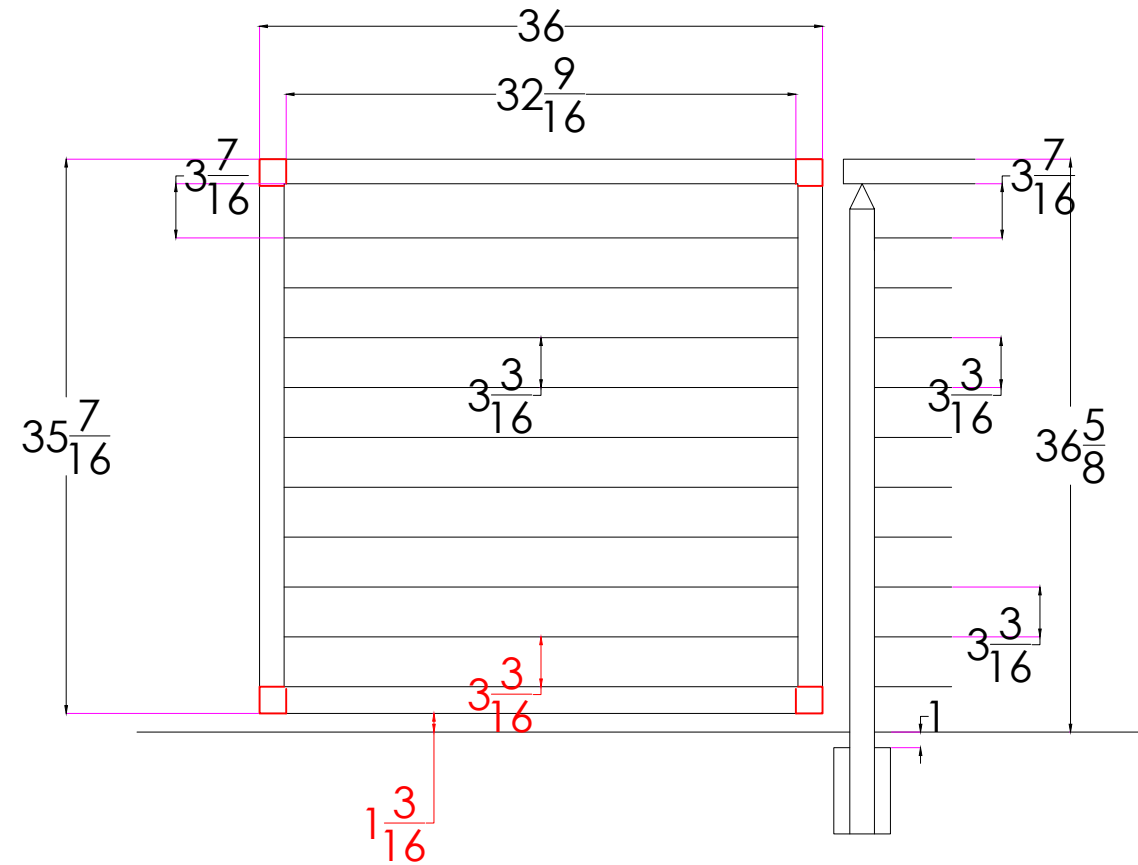


Option A



Option B



The above drawings and specifications and ideas, designs and arrangements represented thereby are and shall remain the property of the Inline Design Group and no part thereof shall be copied, disclosed to others, resold or used in connection with any work or project other than the specified project for which they have been prepared and developed without the written consent of the Inline Design Group. Visual contact with these plans or specifications shall constitute conclusive evidence of acceptance of these restrictions. Written dimensions on these drawings shall have precedence over scaled dimensions; contractor or homeowner shall verify and be responsible for all dimensions and conditions on the job, and Inline Design Group must be notified on any variations from the dimensions and conditions shown by these drawings. Shop details must be submitted to Inline Design Group for approval before proceeding with fabrication.

SCALE:  
n/a



CUSTOMER NAME:

Brett Heinemann

REVISION:  
REV 1.01

SIGNED	DATE
VT	05/17/2023

MATERIAL:  
ASTM A240

ORDER NUMBER:

R11204809

TOLERANCE:  
+/- 1/16"

6335 1st Ave. South Unit Main  
Seattle, WA 98108  
Tel: 425 405 5505  
Fax: (866) 864-0608

<https://inlinedesign.com>  
sales@inlinedesign.us  
support@inlinedesign.us

DIMENSIONS ARE IN INCHES

SHEET: 1 OF 1