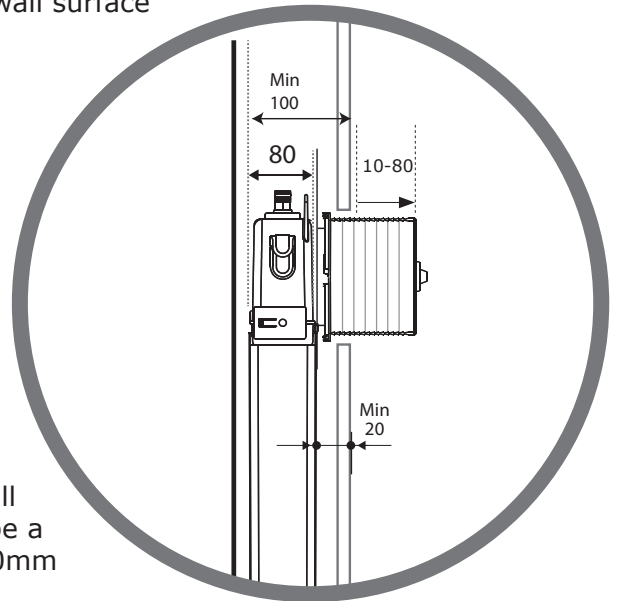




Minimum of 100mm from rear of cistern to front edge of finished wall surface

Min. projection of 10mm - Max. projection of 80mm of tile flange box required prior to trimming to accommodate actuator.



Cavity & wall thickness to be a minimum of 20mm

**NOTE**

See next page for compatible actuators

**Oli-74**  
**IN-WALL CISTERN**

**STYLE**

**In Wall Cistern**

**CODE**

601602/MC  
(if used with mechanical actuators)

601602/PN  
(if used with pneumatic actuators)

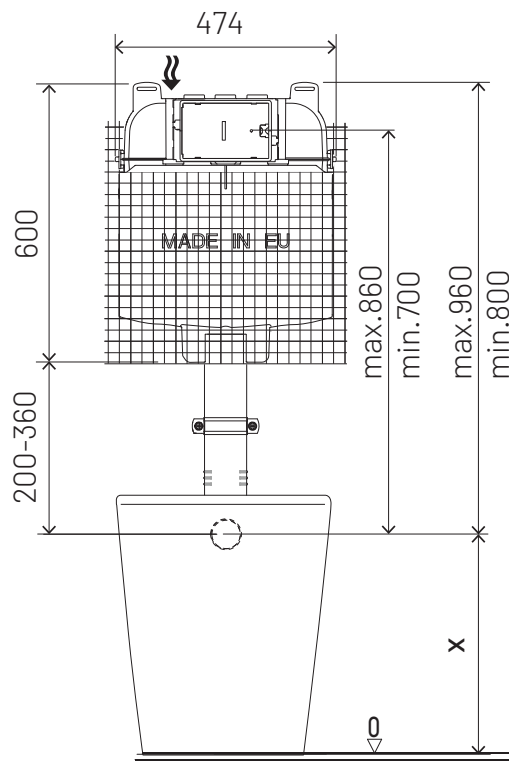
**WEIGHT**

3.5 kg

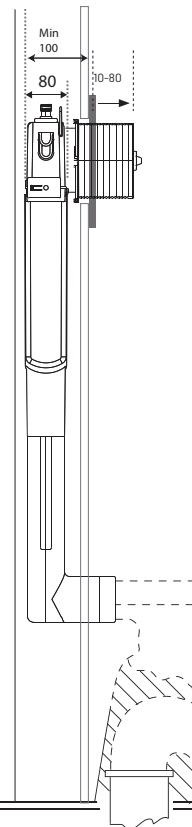
**FEATURES**

- Front access only
- Dual flush in-wall cistern with 4.5/3 litre flush
- 80mm min. wall cavity requirement
- 10 Year Warranty
- Manufactured in Europe
- Mechanical actuator kit included

Front View



Side View



**WELS RATING**

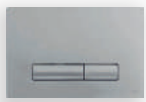


# COMPATIBLE ACTUATORS

## Oli 74

IN-WALL CISTERN

### Cistern Code by Actuator



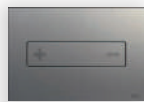
**GLAM**

601602/MC



**GLOBE**

601602/MC



**OCEANIA**

601602/MC



**OCEANIA MIA**

601602/MC



**PLAIN**

601602/MC



**SLIM**

601602/MC



**BLINK**

601602/PN



**TREND**

601602/PN



**SPHERA +**

601602/PN



**SPHERA -**

601602/PN



**KARISMA**

601602/PN