

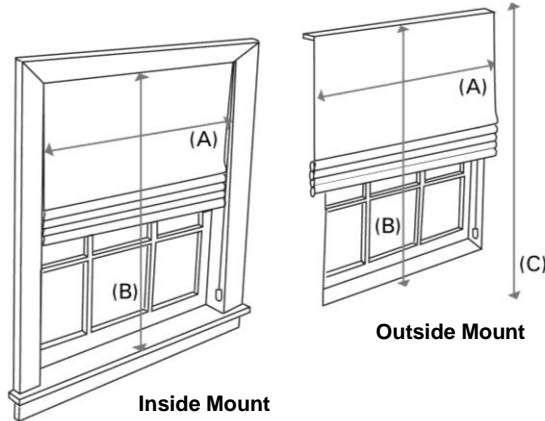
# Woven Wood Measuring Instructions

## Measuring Inside Mount (IB) Shades:

Measure the exact width (A) and length (B) of the window opening as shown. The factory will deduct ½" overall from the window width for clearance. On all inside mount shades, a small light gap will be visible.

## Measuring Outside Mount (OB) Shades:

Measure the exact width (A) and length (B) of the window opening you wish to cover. The shade should cover the window opening by at least 2" on both the width and length. To cover a window sill, provide a measurement (C) beyond the sill.



## Additional Woven Wood Shade Information

**Factory Deductions:** Inside mount shades have a ¾" deduction in width.

### Fabric Information:

**Yarns** – A wide array of natural and manmade fibers are used in the making of the yarns featured in woven wood fabrics. Pure, bright colors are achieved by using the finest dyes available. Even so, over a period of time slight fading may occur.

**Stretching** – All natural woven wood shades may stretch; this is an inherent trait for these fabrics.

**Color Variation** – Both the paints and stains on natural fabrics are subject to color variation. Reed and wood slats will retain the unique grain, nodes, color, and shape irregularities inherent from natural woods, water reeds, and grasses.

**Fading** – Over an extended period of time, exterior and interior discoloration may occur. The colors may become more yellow after exposed to strong sunlight. The use of a privacy lining will minimize fading.

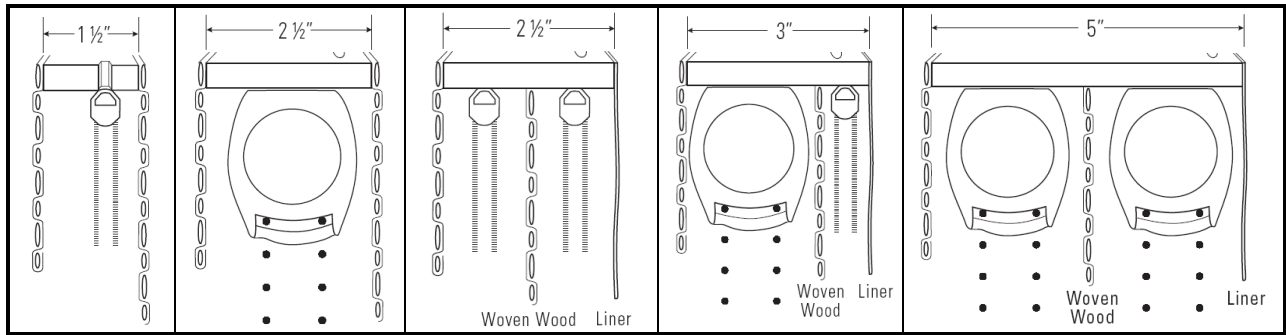
**Stretching, Color Variation, and Fading are natural characteristics of woven wood shades. The occurrence of these changes is industry standard and will not warrant a replacement shade.**

**Energy Savings** – Woven wood fabrics are a good insulator against the summer's heat and winter's cold.

### Headrail Dimensions:

Headrail Type	Dimensions
Standard Pull Cord (Cord Lock) Woven Wood Shades	1 ½" x ¾"
Continuous Cord Loop, Battery Motors, & DC (Low Voltage) Motors Twin Shade with Standard Pull Cord for both Front Shade & Back Liner	2 ½" x ¾"
AC (High Voltage) Motorized Woven Wood Shades Twin Shade with Cord Loop Front Shade & Pull Cord Back Liner	3" x ¾"
Twin Shade with Cord Loop for both Front Shade & Back Liner	5" x ¾"

Standard Headrail	Cord Loop Headrail	Twin Shade Headrail with Pull Cord for both Front Shade & Back Liner	Twin Shade with Front Shade Cord Loop & Pull Cord Back Liner	Twin Shade with Cord Loop for both Front Shade & Back Liner
-------------------	--------------------	--	--	---



**Stack Height Chart:**

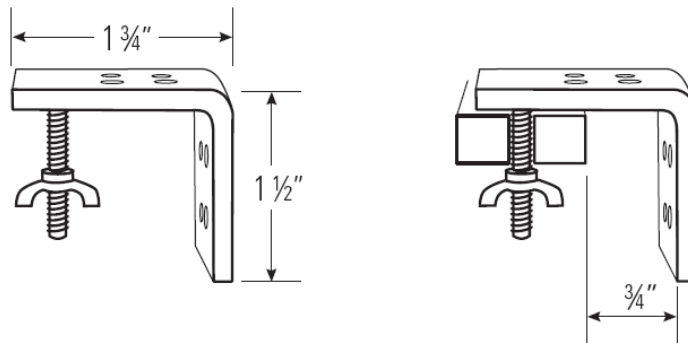
Height of Shade	Total Thickness
	Traditional Roman Fold
Up To ~84"	~9"
85 - 120"	~10"

Note: These are estimated measurements and may vary from shade type to shade type and fabric to fabric.

**Cleaning Instructions:**

Woven wood shades are designed to be durable and are easily cleaned. These fabrics are inherently anti-static and repel dust. Occasional feather dusting or light vacuuming may be necessary to keep the fabrics clean and bright.

**Bracket Dimensions**



**Inside Mount Depths:**

**Minimum Required Depth:** 3/4" with standard bracket

**Flush Mount Required Depth:** Headrail size plus 1" if using standard bracket.

Exact flush inside mount depths will vary slightly based upon the thickness of the fabric selected.

**Safety Information:**

To insure child safety, it is strongly recommended that each shade be installed with a cord safety cleat provided by the manufacturer.

**No Charge Options:**

Valance returns are supplied with all outside mount shades and are available upon request with inside mount shades.

Standard valance returns are 6" long and are made of the bamboo pattern chosen.

Hold-Down Brackets are available upon request, but are not available with Edge Binding or Wood Bottom Bar options.

Spacer Blocks are available upon request.

**Fabric Valance Returns:**

For shades with edge binding, returns made from the edge binding fabric are available as a surcharge option.

**Lined Valance:**

Lined valances are recommended to conceal the headrail components when an open-weave pattern is selected. This is particularly recommended if clutch controls are chosen as these components are more visible through the valance. All Top-Down/Bottom-Up shades will be shipped with lined valance as standard.

**Cut Outs:**

Cut outs can be taken from either side of the shade. Please provide exact dimensions and the locations of the cut outs required. There may be limitations to what can be cut out, based on the size and specifications of the shade.

**Cord Shrouds:**

Cords on the back of the shade are wrapped in a “cord shroud” for increased safety against strangulation hazard. This allows the shade to fold normally, but does not allow a hazardous loop to be formed since the lift cord cannot be pulled out on the back of the shade any further than the spacing between the lift rings.

In compliance with the latest manufacturing safety guidelines Factory Direct Blinds includes with each fully-assembled product warning tags, warning labels, safety devices and cord cleats. Installers of the finished product must adhere to the safety guidelines as established by the installation instructions and by using all devices provided by the manufacturer. It is the responsibility of the installer, as well as the end consumer, to see that all safety devices are properly installed according to the manufacturers installation instructions included with each device and remain so throughout the life of the product. Factory Direct Blinds is not liable for injuries or fatal occurrences related to improper installation or maintenance of required safety devices.

