

# Product Catalog



**BOXI**

by *semihandmade*

[BOXIBYSEMIHANDMADE.COM](https://www.boxibysemihandmade.com)

---

## 03 DOOR STYLES

04 | Shaker

05 | Slab

06 | Woodgrain

07 | Edge

## 08 CABINET CONSTRUCTION

## 09 CABINET SELECTION

10 | Base

17 | Wall

21 | Tall

27 | Vanities

## 30 ACCESSORIES

31 | Panels

33 | Filler/Trim/Toe-kick

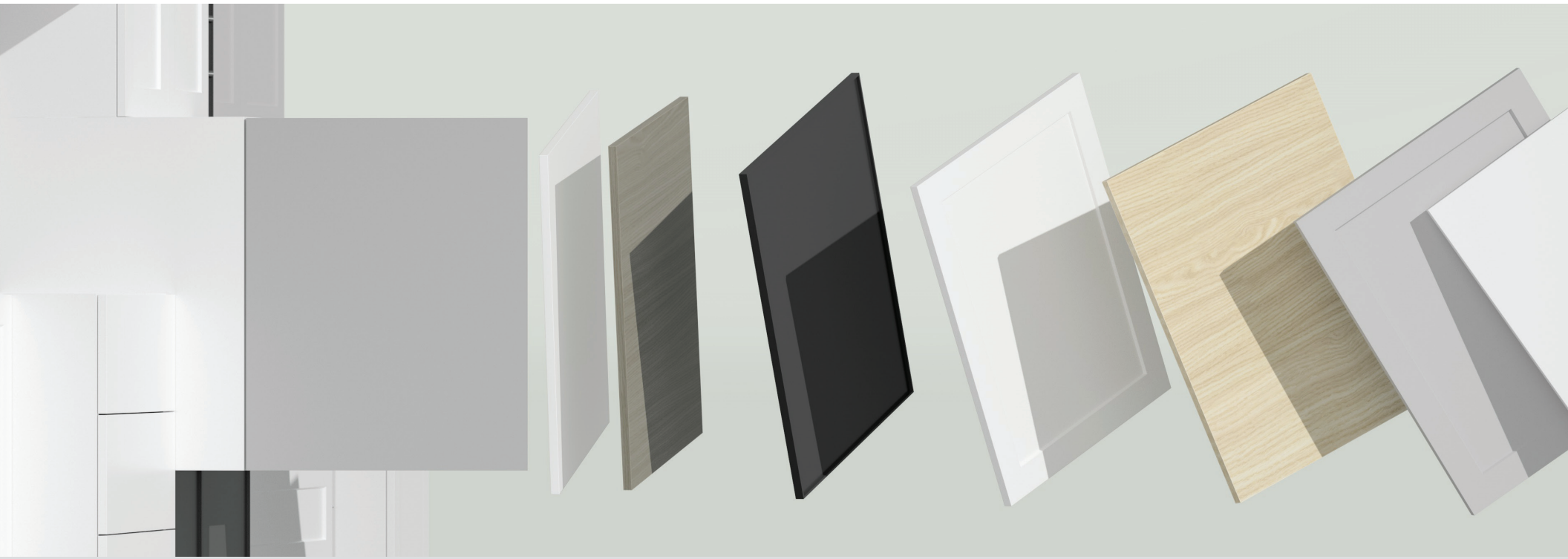
34 | Moldings



# Door Styles

---

- BOXI doors are comprised of laminates and PET bonded to a furniture board or MDF substrate.
- PET is made entirely from recycled water bottles. About 25 bottles are reused to create one medium sized door. The door substrate is made with recycled content and compliant with TSCA Title VI.
- PET and laminate surfaces are susceptible to minor delamination when adjacent to severe heat sources such as self-cleaning ovens and direct sunlight.



# Shaker

---

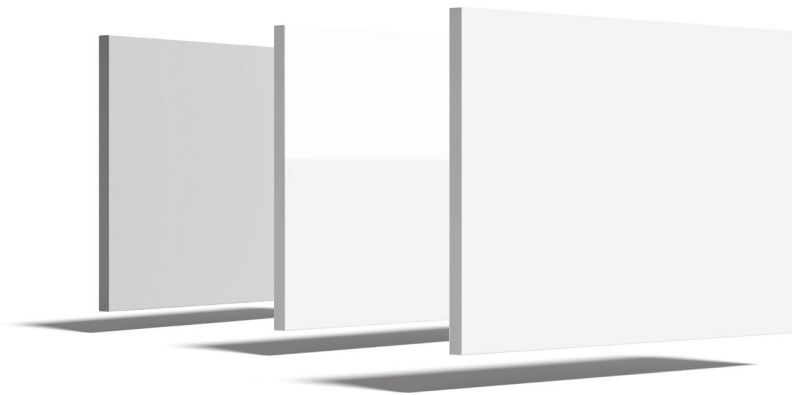
- 2-1/2" stile and rail
- Matte finish in Salt or Mushroom
- Surface layer is PET
- Laminate matching back
- All parts less than 5" tall are Slab style



# Slab

---

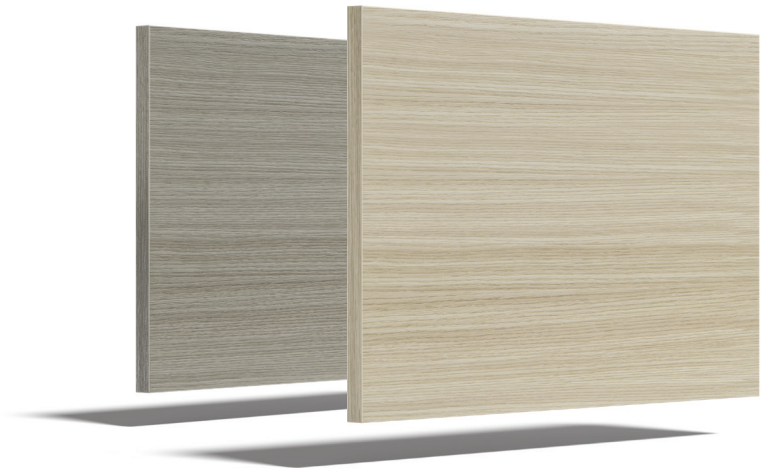
- Matte finish in Salt, and Mushroom, Gloss finish in Ice
- Surface layer is PET
- Laminate matching back



# Woodgrain

---

- Oat or Rye
- Slab style panel
- Laminate matching back
- Horizontal grain pattern on doors/drawers, vertical grain pattern on most panels/trim

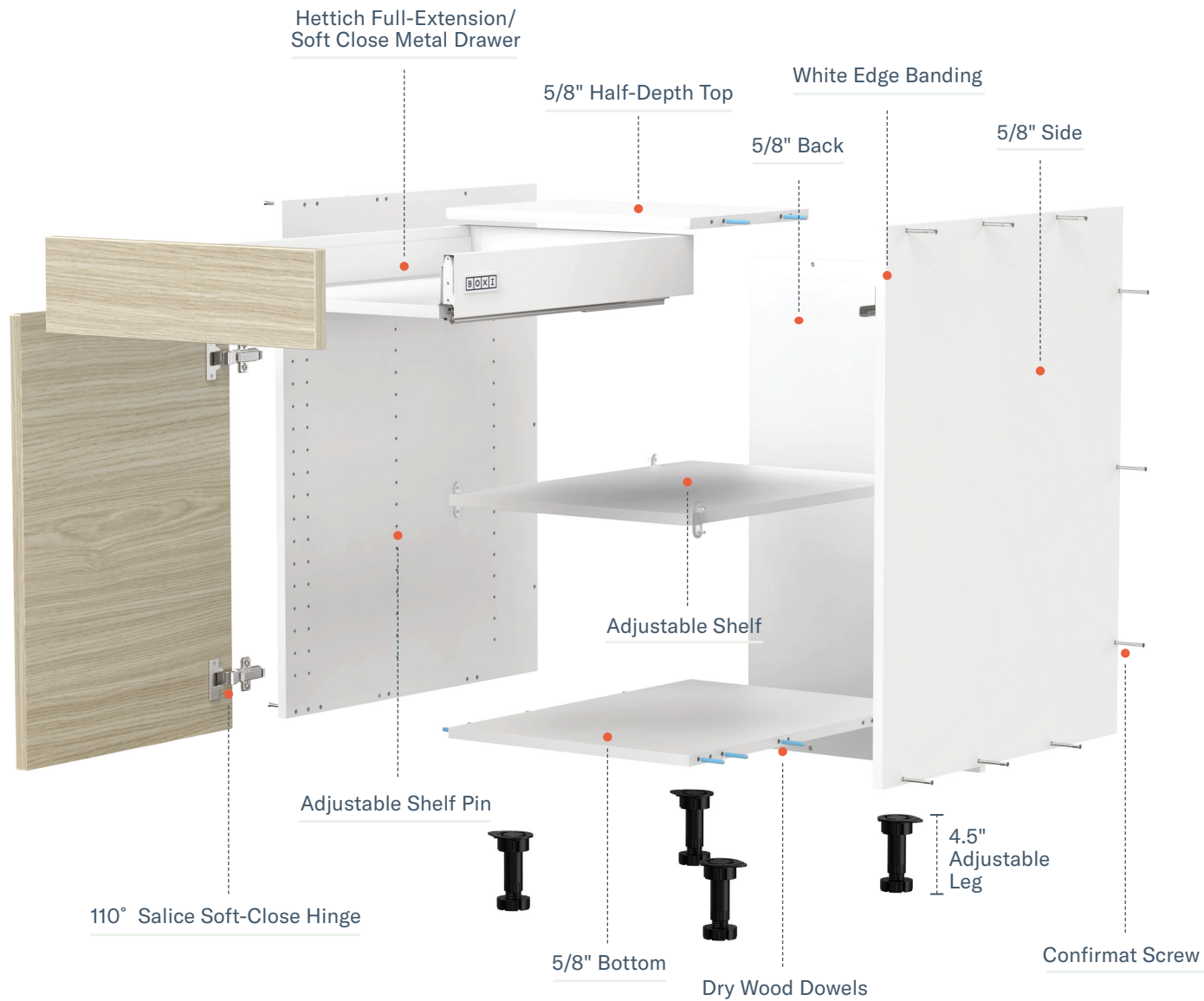


# Edge

- 'Slim Shaker' style profile
- 1/4" stile and rail
- Matte finish in Peppercorn
- Laminate matching back



# Cabinet Construction

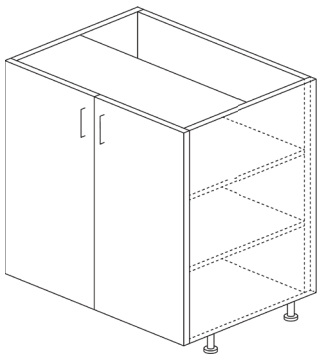






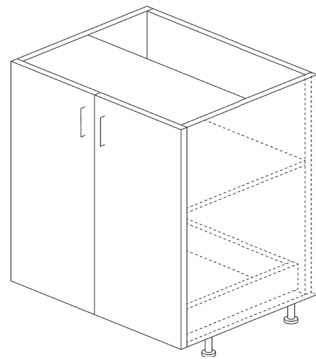
# Base Cabinets

## Shelves/Roll-outs



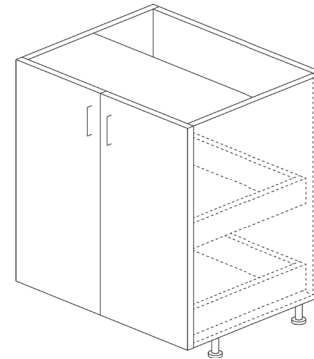
### ADJUSTABLE SHELVES

- 9", 12", 15", 18", 21", 24", 27", 30", 33", 36" wide
- 25" deep with door
- Two adjustable shelves



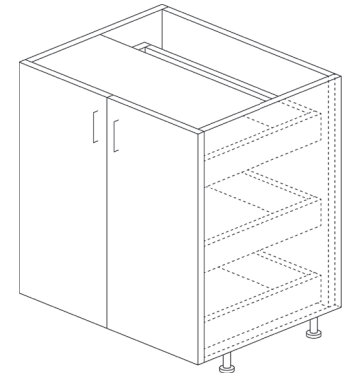
### ONE ROLL-OUT

- 12", 15", 18", 21", 24", 27", 30", 33", 36" wide
- 25" deep with door
- One adjustable shelf
- One roll-out



### TWO ROLL-OUTS

- 12", 15", 18", 21", 24", 27", 30", 33", 36" wide
- 25" deep with door
- Two roll-outs



### THREE ROLL-OUTS

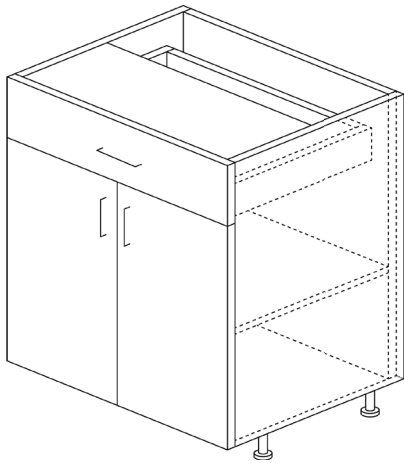
- 12", 15", 18", 21", 24", 27", 30", 33", 36" wide
- 25" deep with door
- Three roll-outs



■ 9"-21" widths have one door

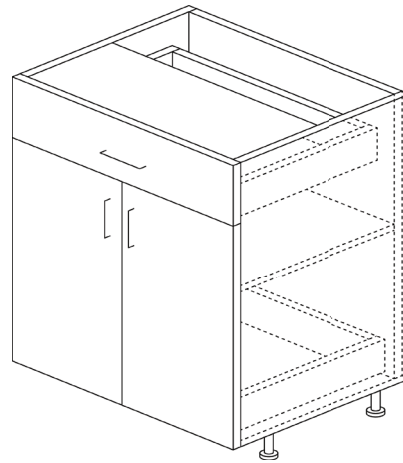
# Base Cabinets

## Drawers/Roll-outs



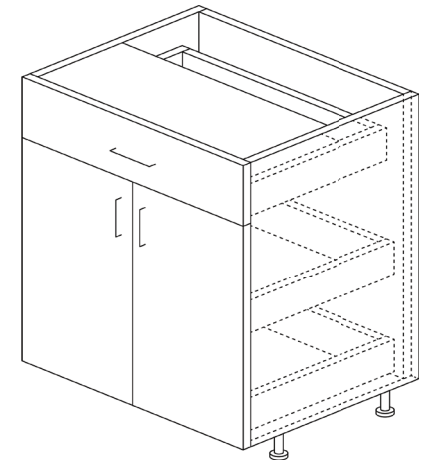
### ONE DRAWER

- 12", 15", 18", 21", 24", 30", 36" wide
- 25" deep with door
- One adjustable shelf
- One roll-out



### ONE DRAWER, ONE ROLL-OUT

- 12", 15", 18", 21", 24", 30", 36" wide
- 25" deep with door
- One adjustable shelf
- One roll-out
- One drawer



### ONE DRAWER, TWO ROLL-OUTS

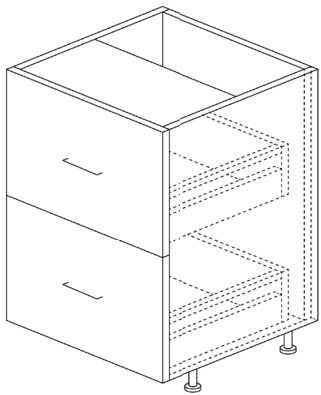
- 12", 15", 18", 21", 24", 30", 36" wide
- 25" deep with door
- Two roll-outs
- One drawer



■ 12"-21" widths have one door

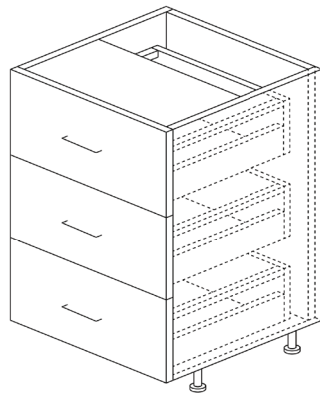
# Base Cabinets

## Drawers



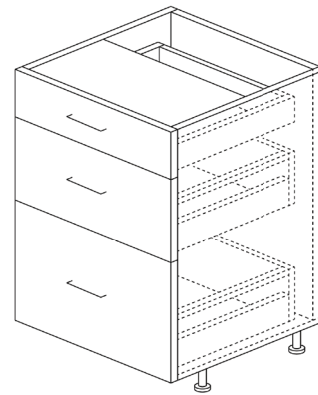
### TWO DRAWERS

- 24", 30", 36" wide
- 25" deep with drawer front



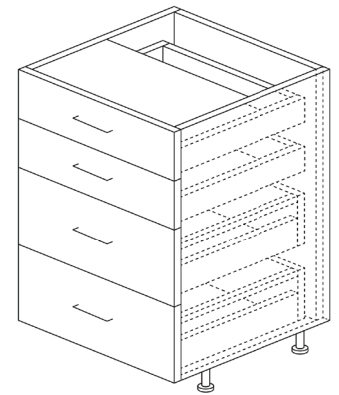
### THREE DRAWERS

- 12", 15", 18", 21", 24", 30", 36" wide
- 25" deep with drawer front



### THREE DRAWERS

- 24", 30", 36" wide
- 25" deep with drawer front



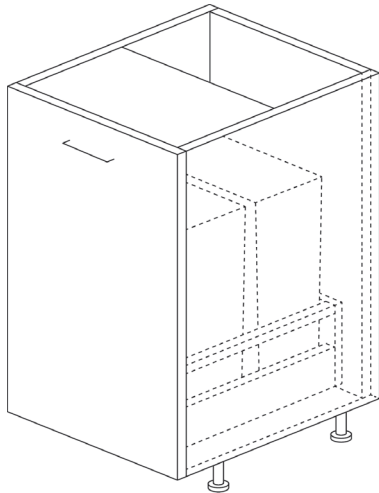
### FOUR DRAWERS

- 12", 15", 18", 21", 24", 30", 36" wide
- 25" deep with drawer front



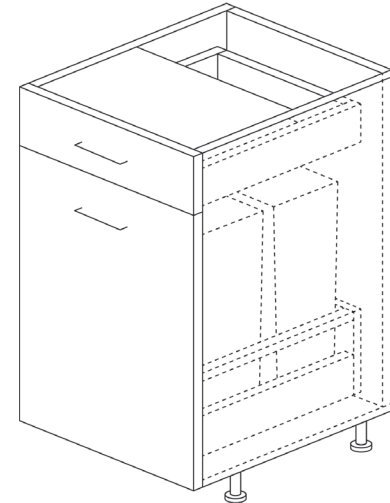
# Base Cabinets

## Recycle



### RECYCLE ONE DOOR

- 15", 18" wide
- 25" deep with door
- 15" width has one bin, 18" width has two bins

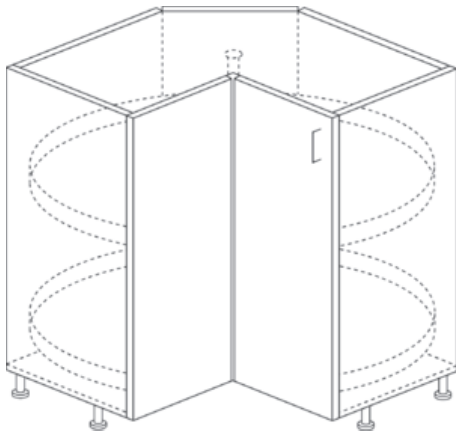


### RECYCLE ONE DOOR, ONE DRAWER

- 15", 18" wide
- 25" deep with door
- 15" width has one bin, 18" width has two bins
- One drawer

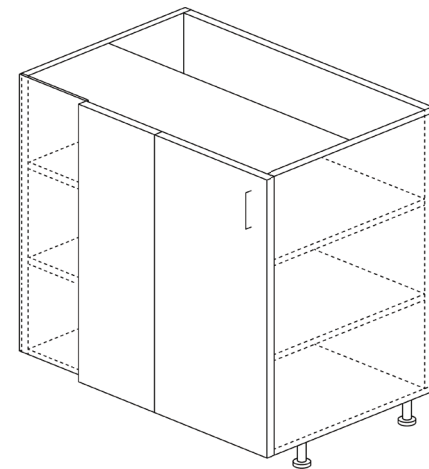
# Base Cabinets

## Corner



### LAZY SUSAN TWO DOORS

- 36" x 36" wide
- 23" deep with door
- Two white trays mounted to a chrome post



### BLIND CORNER ONE DOOR WITH FILLER

- 39", 42", 45", 48" wide
- 25" deep with door
- Two adjustable shelves
- Note: cabinet will always be 36" wide, the void behind the cabinet changes.

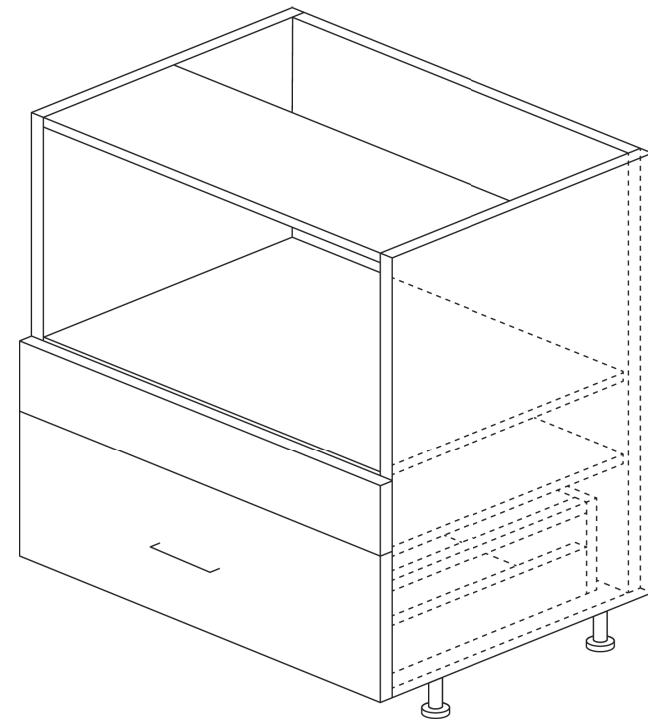


# Base Cabinets

## Microwave

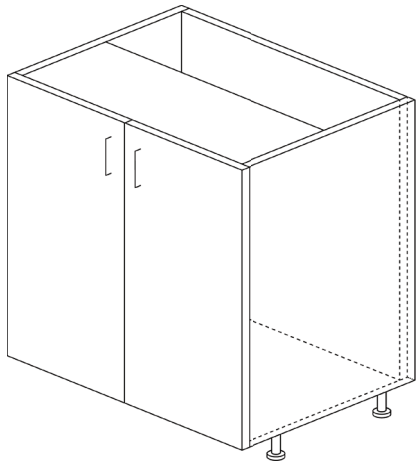
### BASE MICROWAVE WITH DRAWER

- 24", 30" wide
- 25" deep with drawer front
- Designed for use with trim kits or drawer applications
- One drawer with filler
- Onsite cutting required



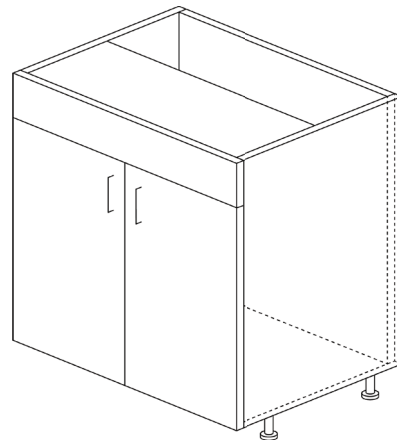
# Base Cabinets

## Sink



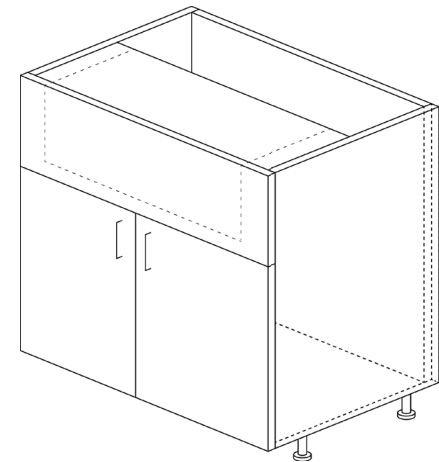
### TWO DOORS

- 24", 27", 30", 33", 36" wide
- 25" deep with door



### TWO DOORS, FALSE FRONT

- 24", 30", 36" wide
- 25" deep with door
- 5" false front



### BASE SINK WITH APRON FRONT

- 30", 36" wide
- 25" deep with door
- Also designed for farmhouse sinks
- 10" false front is optional

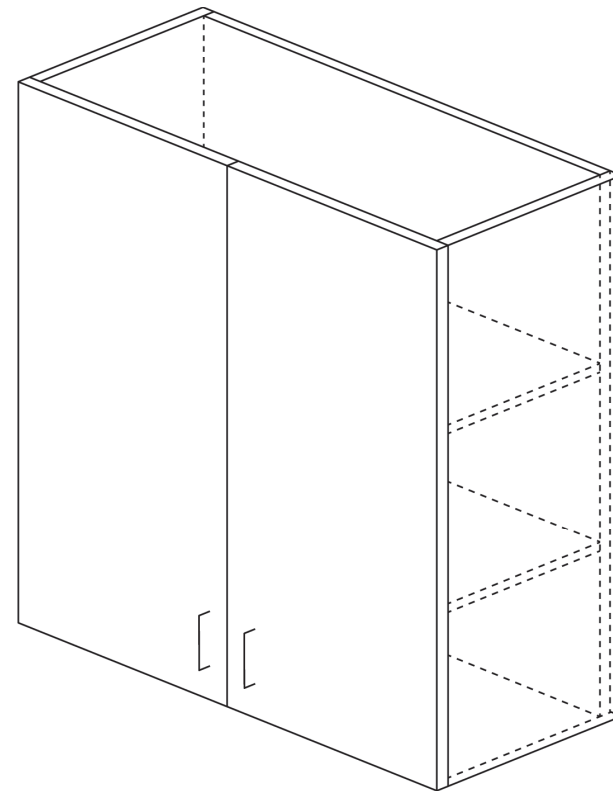




# Wall Cabinets

## ONE OR TWO DOORS

- 15", 20", 25" high
- 30" or 36" wide
- 13" deep with door
- No shelf on 15" high
- 30" high
- 9", 12", 15", 18", 21", 24", 27", 30", 33", 36" wide
- 13" deep with door
- Two adjustable shelves
- 40" high
- 9", 12", 15", 18", 21", 24", 27", 30", 33", 36" wide
- 13" deep with door
- Two adjustable shelves



■ 9"-21" widths have one door

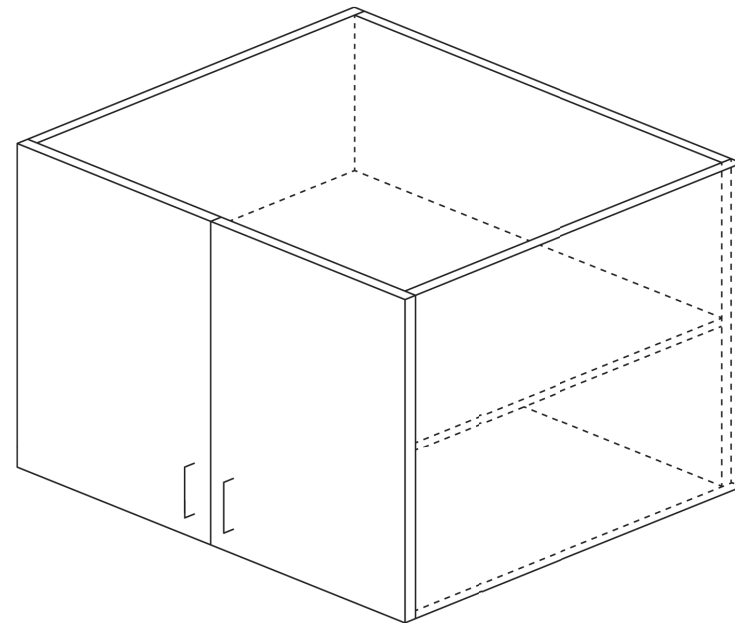


# Wall Cabinets

---

## **WALL (24" deep)**

- 15" high
- 30", 36" wide
- 25" deep with door
- No shelf
  
- 20" high
- 30", 36" wide
- 25" deep with door
- One adjustable shelf

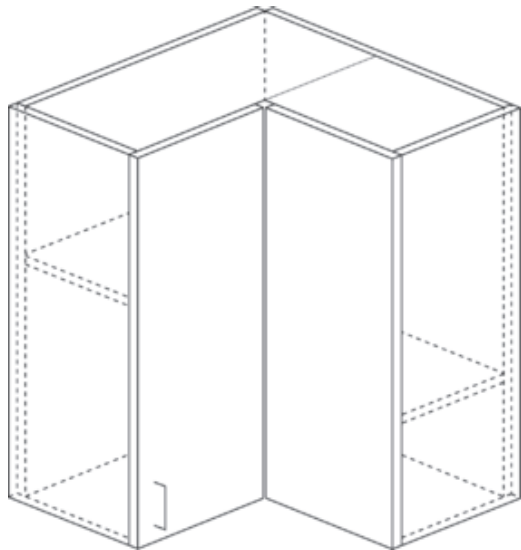


■ 9"-21" widths have one door



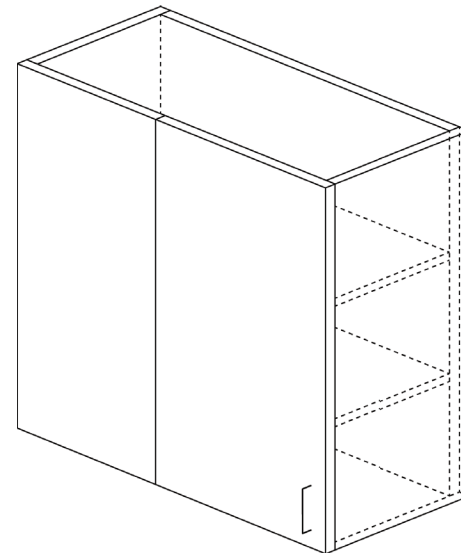
# Wall Cabinets

## Corner



### **SQUARE CORNER**

- 30" or 40" high
- 24" x 24" wide
- 13" deep with door
- Doors are attached
- Two shelves

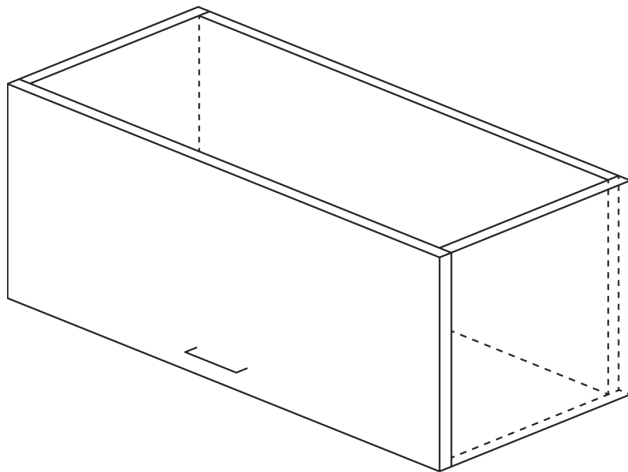


### **BLIND CORNER**

- 30" or 40" high
- 27", 30", 33", 36" wide
- 13" deep with door
- One door with filler
- Two shelves

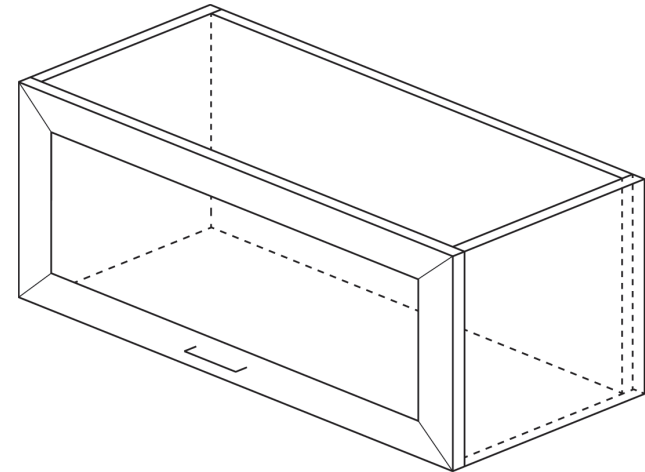
# Wall Cabinets

## Tilt-up door



### TILT-UP DOOR

- 10" or 15" high
- 30" or 36" wide
- 12" (13" deep with door) or 24" (25" deep with door) deep
- No shelves



### METAL FRAME TILT-UP DOOR

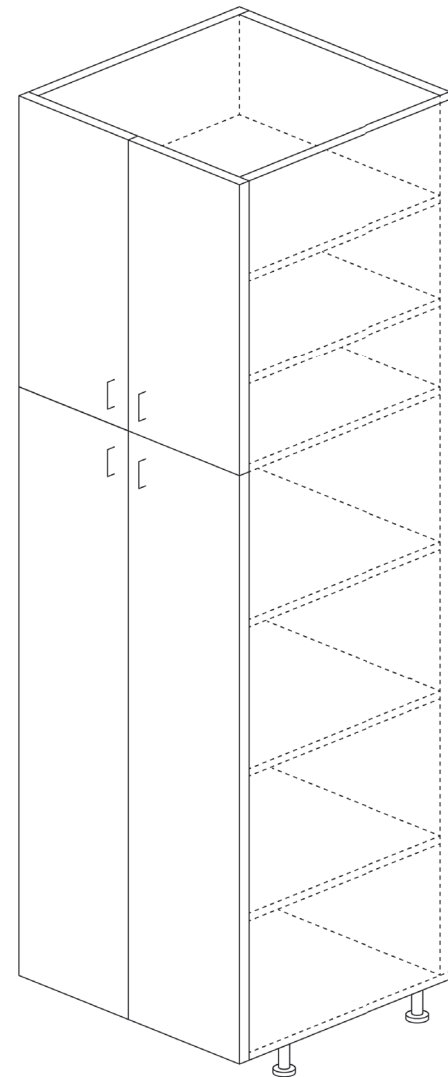
- 10" or 15" high:
- 30" or 36" wide
- 13" deep with door
- Metal frame has 2-1/4" stiles and rails
- No shelf

# Tall Cabinets

Pantry/shelves

## PANTRY CABINET

- 84 ½" or 94 ½" high
- 15", 18", 24", 30", 36" wide
- 25" deep with door
- Four or five shelves



■ 15", 18" widths have one door

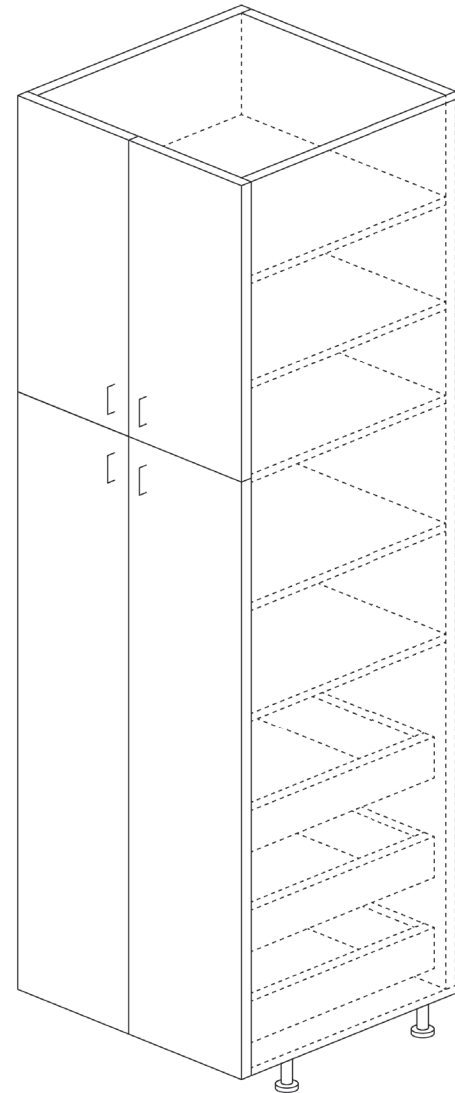


# Tall Cabinets

## Pantry/roll-outs

### PANTRY CABINET THREE ROLL-OUTS

- 84 ½" or 94 ½" high
- 15", 18", 24", 30", 36" wide
- 25" deep with door
- Three or four shelves
- Three roll-outs



■ 15", 18" widths have one door

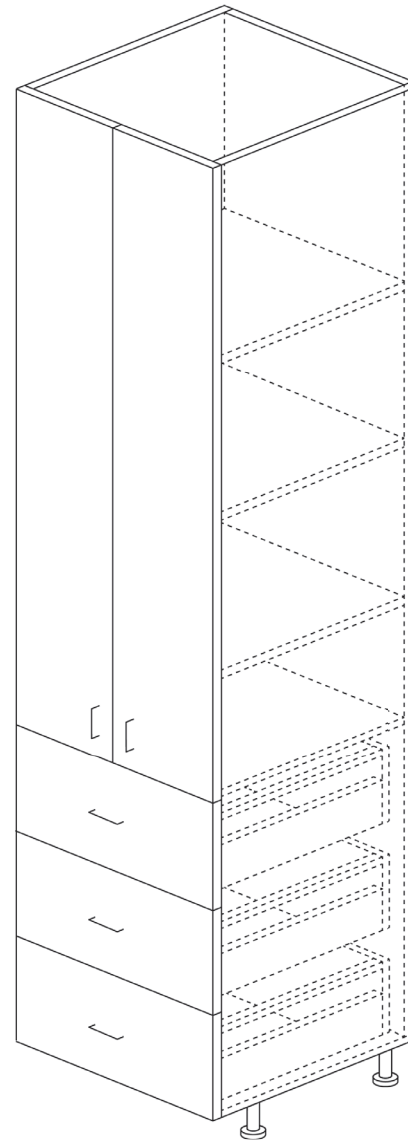


# Tall Cabinets

Pantry/drawers

## PANTRY CABINET THREE DRAWERS

- 84 ½" or 94 ½" high
- 30" wide only
- 25" deep with door
- Four or five shelves

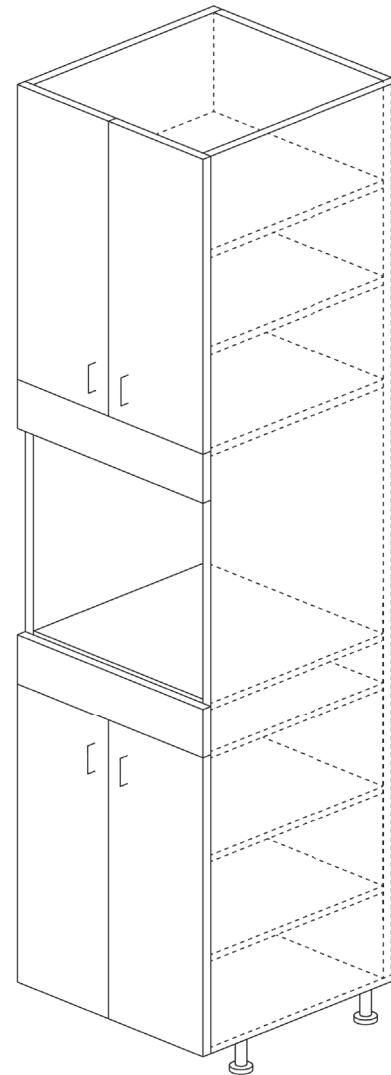


# Tall Cabinets

Single oven/doors

## SINGLE OVEN

- 84 ½" or 94 ½" high
- 30" wide only
- 25" deep with door
- Four or five shelves with trim
- Oven opening height is 15" - 30" depending on appliance
- Onsite cutting required



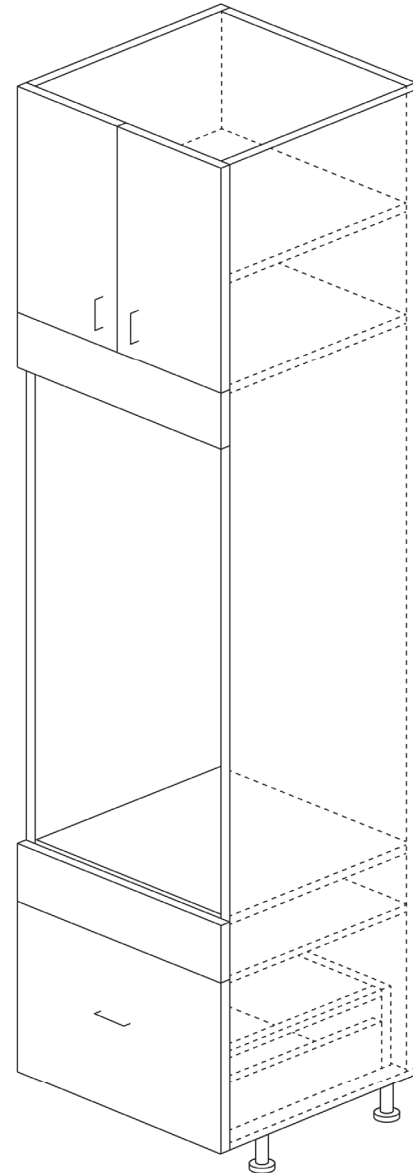


# Tall Cabinets

Double oven/drawer

## DOUBLE OVEN

- 84 ½" or 94 ½" high
- 30" wide only
- 25" deep with door
- Top tilt-up door on 84 ½" cabinet only
- One drawer
- Oven opening height is 40"- 55" depending on appliance
- Onsite cutting required
- Trim is an additional cost

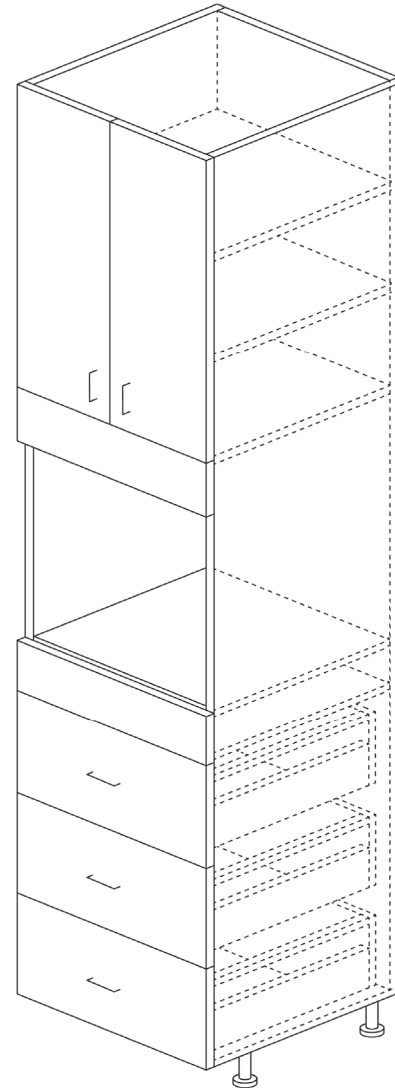


# Tall Cabinets

Single oven/drawers

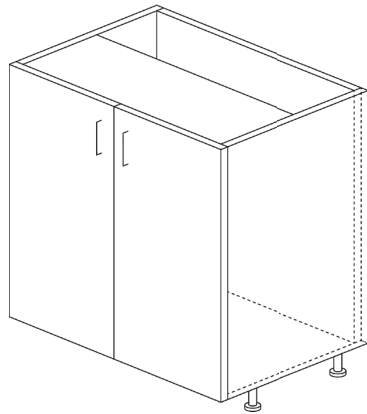
## **SINGLE OVEN THREE DRAWERS**

- 84 ½" or 94 ½" high
- 30" wide
- 25" deep with door
- One or two shelves
- Three drawers
- Oven opening height is 15" - 30" depending on appliance
- Onsite cutting will be required
- Trim is an additional cost



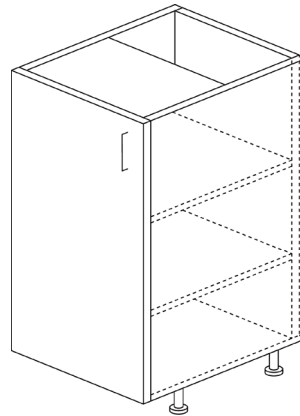
# Vanity Cabinets

## Door/drawer



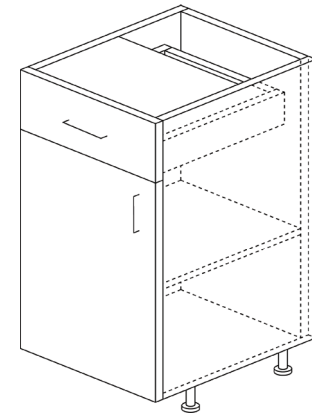
### HIGH VANITY

- 18", 24", 27", 30", 33", 36" wide
- One or two doors
- 22" deep with door
- 34 ½" high with levelers



### HIGH VANITY, SHELVES

- 12", 15", 18", 21" wide
- One door
- 22" deep with door
- 34 ½" high with leg levelers
- 2 adjustable shelves



### HIGH VANITY, DRAWER

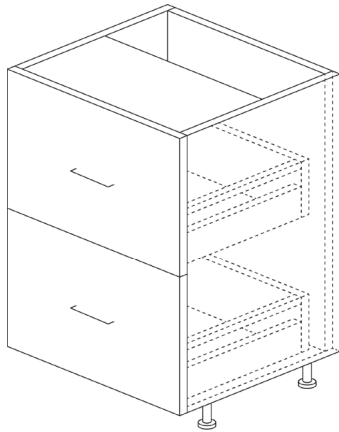
- 12", 15", 18", 21" wide
- One door
- 22" deep with door
- 34 ½" high with leg levelers
- One drawer
- One adjustable shelf



■ 12"-21" widths have one door

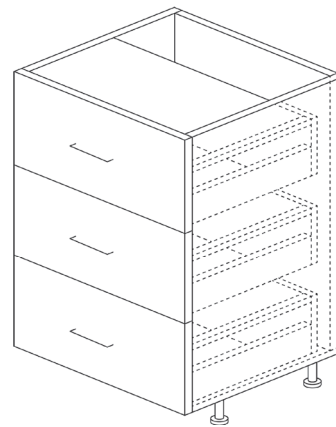
# Vanity Cabinets

## Drawers



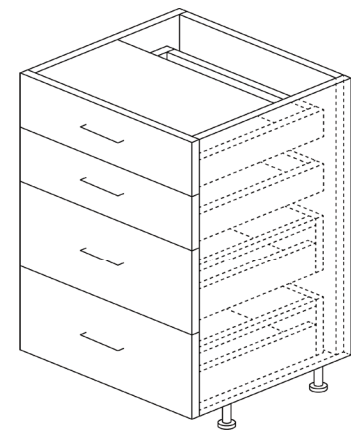
### HIGH VANITY, TWO DRAWERS

- 24", 30", 36" wide
- Two drawers
- 22" deep with drawer front
- 34 ½" high with leg levelers
- Not recommended for drop-in sinks



### HIGH VANITY, THREE DRAWERS

- 12", 15", 18", 21", 24", 30", 36" wide
- Three drawers
- 22" deep with drawer front
- 34 ½" high with leg levelers
- Not recommended for drop-in sinks

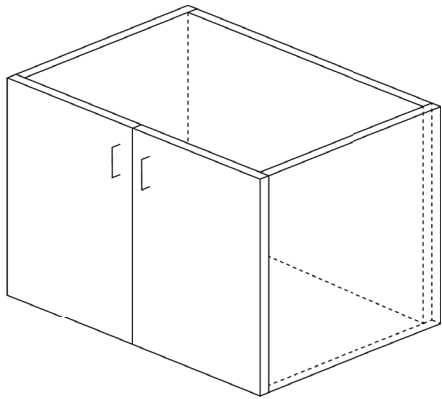


### HIGH VANITY, FOUR DRAWERS

- 12", 15", 18", 21", 24", 30", 36" wide
- Four drawers
- 22" deep with drawer front
- 34 ½" high with leg levelers
- Not recommended for drop-in sinks

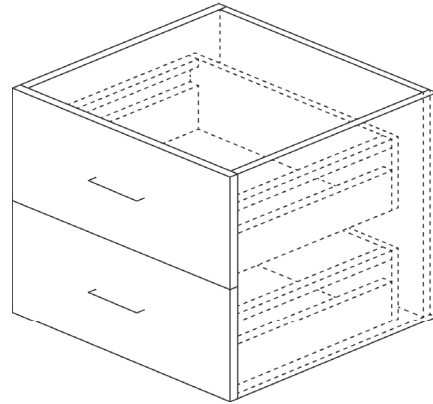
# Vanity Cabinets

## Floating



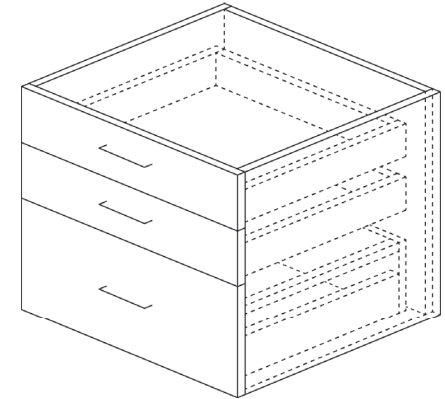
### WALL HUNG SINK, DOORS

- 18", 24", 30", 36" wide
- One or two doors
- 22" deep with door
- 20" high
- No shelves



### WALL HUNG, TWO DRAWERS

- 12", 15", 18", 21", 24", 30", 36" wide
- 22" deep with drawer front
- 20" high
- Two drawers
- Not recommended for drop-in sinks



### WALL HUNG, THREE DRAWERS

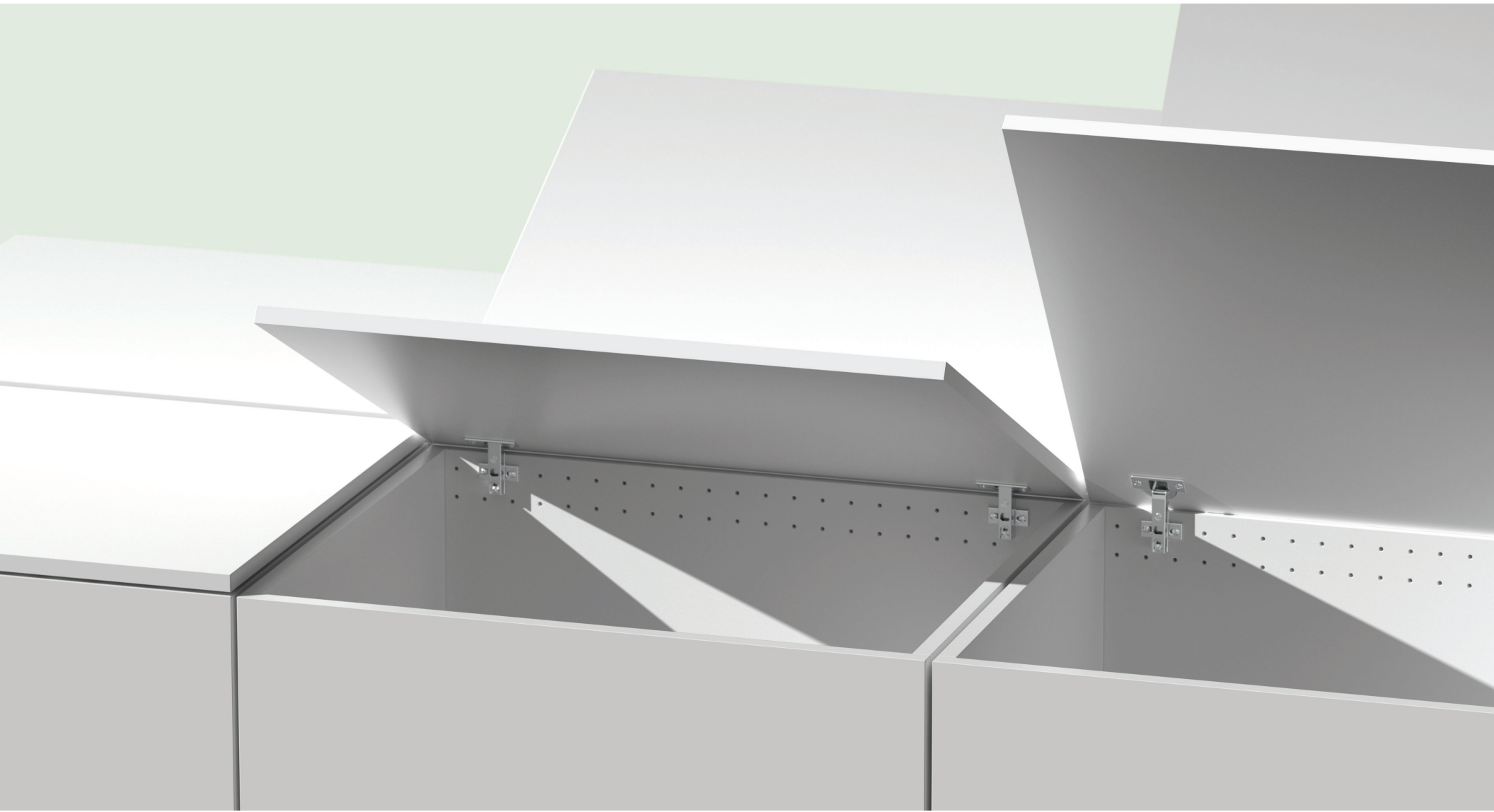
- 12", 15", 18", 21", 24", 30", 36" wide
- 22" deep with drawer front
- 20" high
- Three drawers
- Not recommended for drop-in sinks



■ 18" wide sink has one door

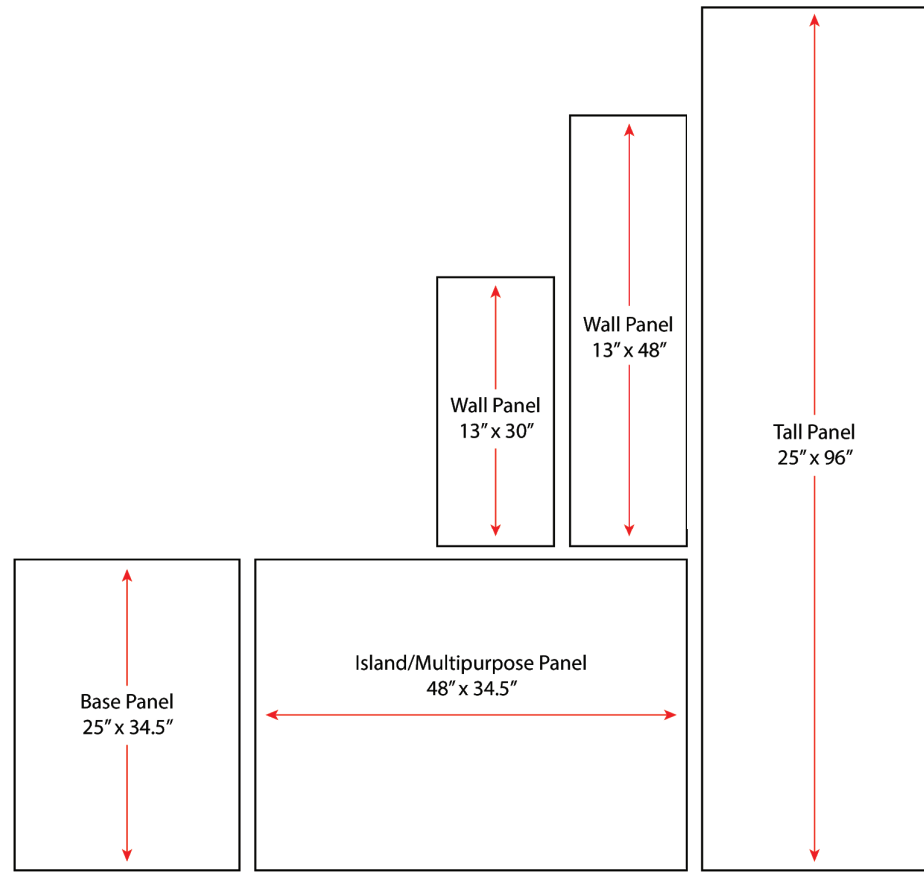
# Accessories

---



# Panels

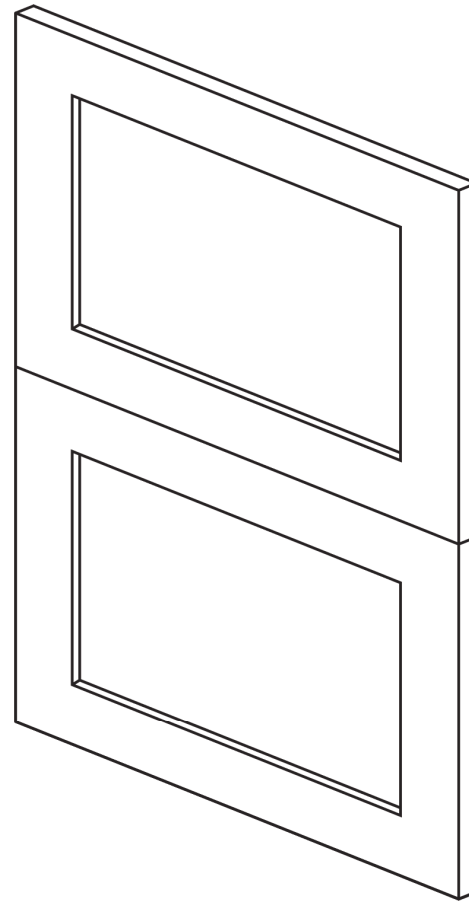
- Panel thickness 1/2"
- Panels should only be installed using provided screws
- Oat and Rye panels run vertically
- Back of panel matches door style



# Appliance Panel

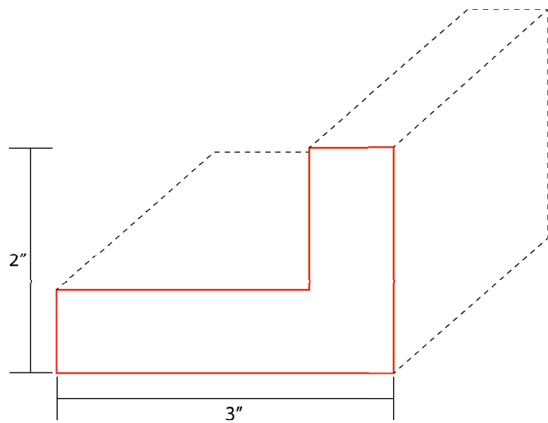
## DISWASHER TWO-PIECE PANEL

- 24" x 30"
- Fits most panel-ready dishwashers



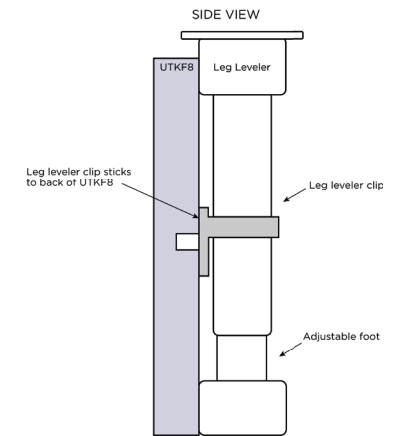
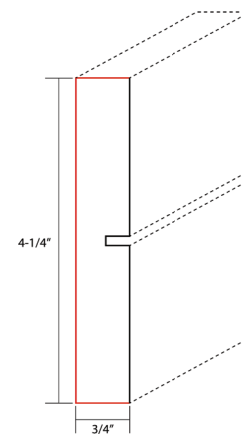


# Filler/Trim/Toe-Kick



## FILLER

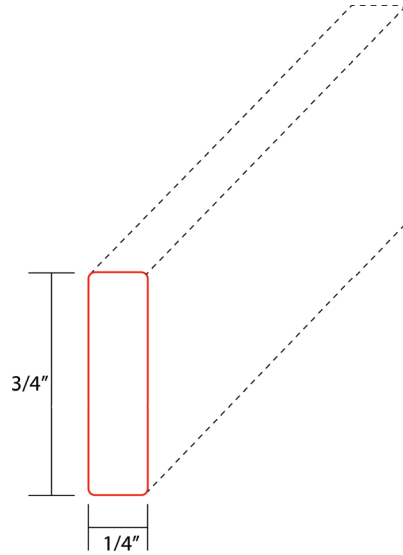
- 2" x 3" x 3/4" x 96"
- This is a universal filler, light rail, or crown build up
- Salt, Ice, Mushroom, Peppercorn, Oat, and Rye
- Meant to be installed flush with face of cabinet



## TRIM/TOE-KICK/FILLER

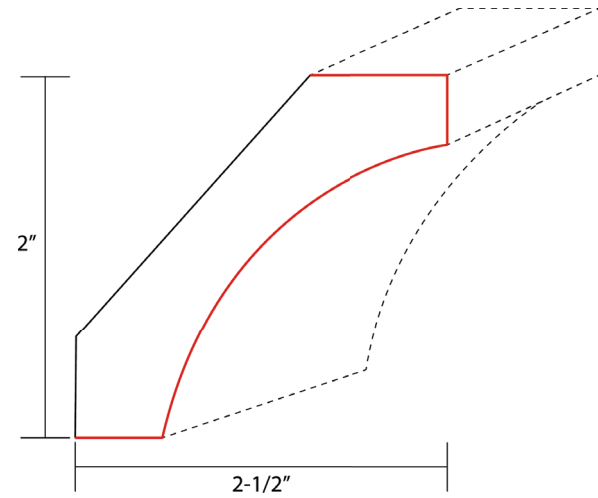
- 4-1/4" x 96" x 3/4"
- Salt, Ice, Mushroom, Peppercorn, Oat, and Rye
- Back of filler is unfinished core material

# Moldings



## SCRIBE MOLDING

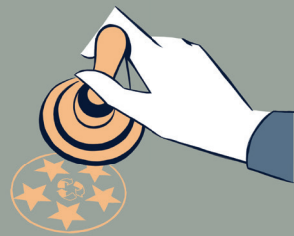
- 3/4" x 1/4" x 96"
- Salt, Ice, Mushroom, Peppercorn, Oat, and Rye.



## COVE CROWN MOLDING

- 2-1/2" x 2" x 96"
- Salt or Mushroom only
- Can be used on either 2-1/2" or 2" rise

# Home Space Made Simple



BOXI

by *semihandmade*



[BOXIBYSEMIHANDMADE.COM](http://BOXIBYSEMIHANDMADE.COM)