

INDIVIDUAL LOUDSPEAKERS



Quam

8C5Z45

PUBLIC ADDRESS

8" O.D. Speaker, 5 Ounce Magnet, 45Ω

GENERAL DESCRIPTION

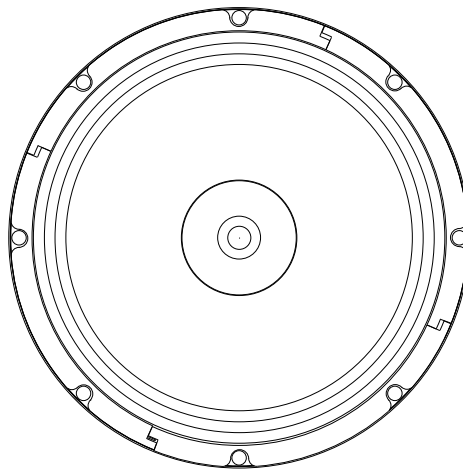
The 8C5Z45 is an 8" O.D. dual cone loudspeaker with a 5 oz. magnet and a 45 Ohm nominal impedance. Frame has a black powder coat finish.

INTENDED USE - Indoor Environment

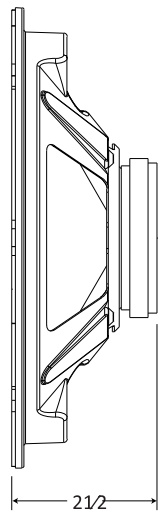
Program Material | Signal tones, voice, and music

AUDIO SPECIFICATIONS

Average Sensitivity	92 dB SPL, 1W/ 1M
Loudspeaker Power Rating	12W RMS, EIA 426A Standard
Maximum Power Rating	15W @ 8 Ohms
Calculated Output	103 dB SPL, 5W/ 1M
Magnet Type & Weight	BeFe Ceramic, 5 oz. Nominal
Frequency Response	65 Hz - 17 kHz EIA 426A Standard
Nominal Coverage Angle	100° Included Angle, -6 dB / 2 kHz, Half space
Audio Connection	0.205" Spade lug



Ø8



2 1/2"

Recommended construction sequences, installation instructions, and A&E Specifications are available in various formats in the QUAM Architects' and Engineers' Resources section on the web at: www.QuamSpeakers.com

© 2013 Quam-Nichols Company reserves the right to make changes and/or improvements to its products at any time and without notice.



QUAM-NICHOLS COMPANY, INC.
 234 East Marquette Rd.
 Chicago, IL. 60637
 Tel: 1-800-NEED-NOW (800-633-3669)
 Fax: 1-888-NEED-NOW (888-633-3669)
 e-mail: NeedNow@QNC.com
www.QuamSpeakers.com