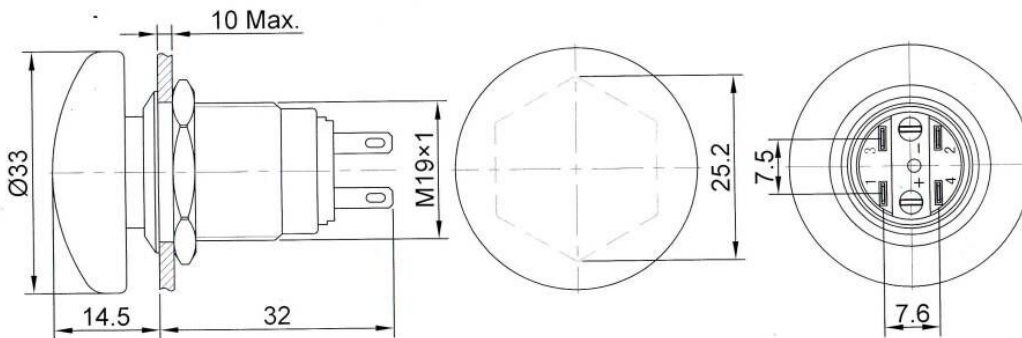
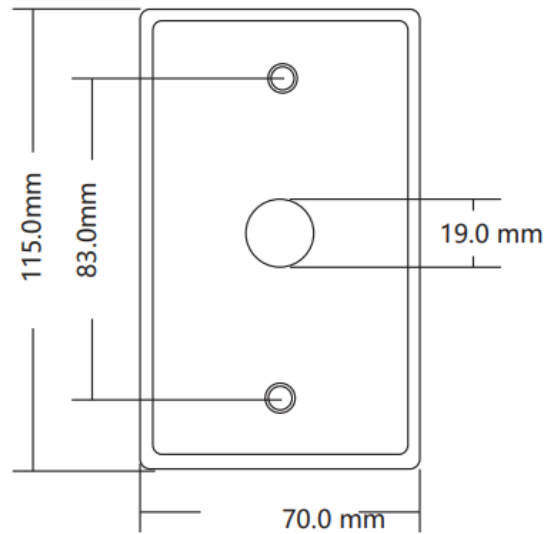


ARLSWP-2M

Mushroom 33mm head Green/Red Anodized, 1NO 1NC, S/S Plate 115x70mm



SPECIFICATIONS:

- 1.SWITCH RATING: UI:250V, Ith:20A.
- 2.MECHANICAL LIFE: $\geq 1,000,000$ cycles.
- 3.ELECTRICAL LIFE: $\geq 50,000$ cycles.
- 4.INITIAL CONTACT RESISTANCE: $\leq 50m\Omega$.
- 5.INSULATION RESISTANCE: $\geq 100M\Omega(500VDC)$.
- 6.DIELECTRIC STRENGTH: 1,500V, RMS 50HZ, 1min.
- 7.OPERATING TEMPERATURE: $-25^{\circ}C \sim +55^{\circ}C$ (NO FREEZING, KEEP THE AIR FLOWING AROUND PUSHBUTTON).
- 8.OPERATING FORCE: ABOUT 4N.
- 9.OPERATING TRAVEL: ABOUT 2.5mm.
- 10.TORQUE: ABOUT 0.8Nm MAX.APPLIED TO NUT.
- 11.FRONT PANEL PROTECTION DEGREE: IP65, IK09.
- 12.TERMINAL TYPE: PIN TERMINAL(2.8 X 0.5mm).
- 13.GENERAL TOLERANCE:0-18mm= ± 0.25 , 18-80mm= ± 0.52 .

MATERIALS:

- 1.CONTACT: SILVER ALLOY.
- 2.BUTTON: AL ALLOY
- 3.BODY: STAINLESS STEEL.
- 4.BASE: PC.