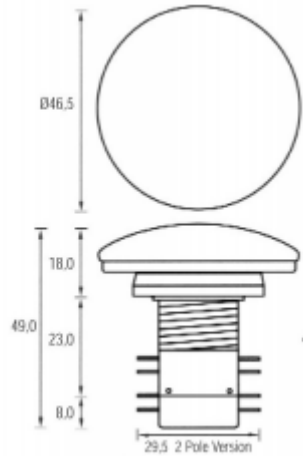
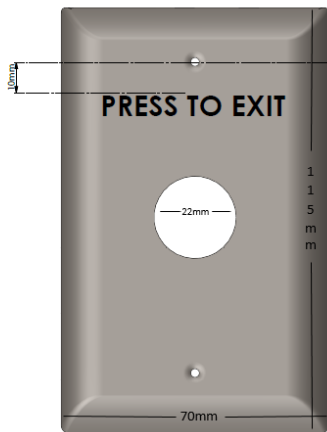


ARLSWP-27G/R/B

Mushroom Metal Switch with Metal PRESS TO EXIT back plate. Available in Green, Red and Black colour. 1NO 1NC contact.
(Please speak to our sales person for customization if required)



SWITCH SPECIFICATIONS

High Impact IP67 Pushbutton Switches. These are best suited to harsh environments and applications where high impacts are possible. They are able to survive an impact of a 5kg mass dropped from 40cm (20J) and are panel sealed to IP67. The bezels and actuators have also been designed from non-sparking zinc alloy.

Attribute	Value
Switch Operation	Momentary
Contact Configuration	SPDT-NO/NC
Mounting Type	Panel Mount
Contact Current Rating	10.1 A @ 250 V ac
Illuminated	No
Actuator Colour	Green

Attribute	Value
Minimum Operating Temperature	-40°C
Terminal Type	Solder, Tab
Maximum Operating Temperature	+135°C
Actuator Type	Button
Operating Temperature Range	-40 ? +135°C
Contact Material	Fine Silver