

How to remove the battery pack for battery disposal only

(To be carried out by an authorized technician)

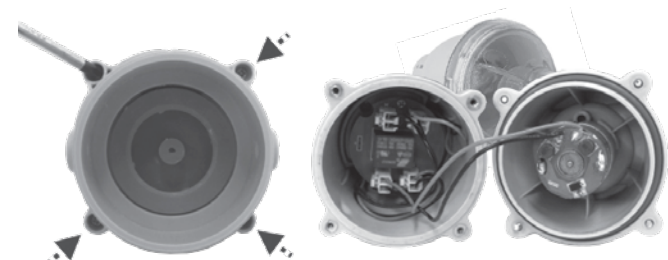
Recommended tools (not included):

Philips screwdriver and small slot screwdriver

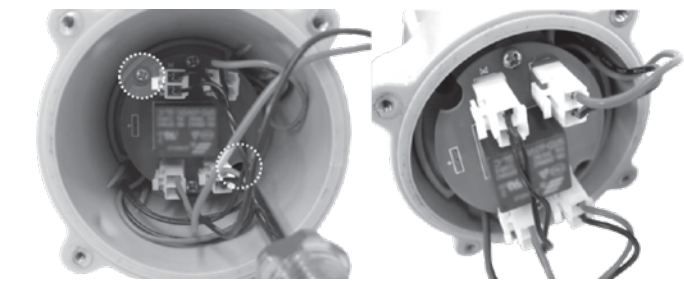
1. Use the screwdriver to unfasten the 2 side screws to release the front portion and then detach it from the main body.



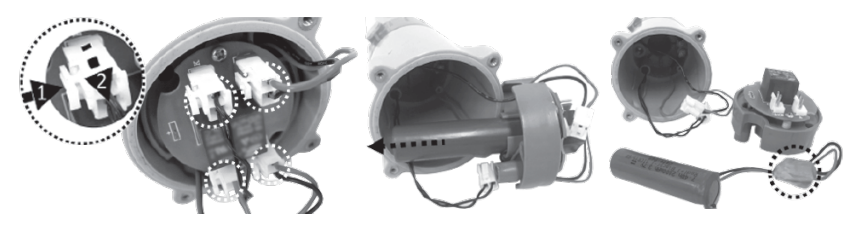
2. Unfasten the 4 screws as shown and then remove the front chamber to expose the enclosure inside.



3. Unfasten the 2 screws as shown to release the module. Move it to the opening of the chamber



4. Detach all 4 cable connectors by pressing on the clip and detach it simultaneously. Remove the whole module out of the chamber to expose the battery. Remove the battery and wrap its connector end with insulating tape in order to avoid short circuit caused by the contact of both wire terminals.



GB

RECHARGEABLE UNDERWATER VACUUM

USER MANUAL

EV02
Made in China



SAFETY WARNINGS & INSTRUCTIONS

Information contained in this Instruction Manual will help you operate the item safely, protect yourself and others from hazards, and prevent damage to the device and other property.

SAVE THESE INSTRUCTIONS

WARNING!

- This is not a TOY. Children should be kept out of reach from this electric vacuum and its accessories.
- Never allow children to operate this product. Children shall not play with the product.
- Cleaning and user maintenance must not be carried out by children.
- You should not operate this electric vacuum when people/pets are present in the water.
- This electric vacuum is not intended for use by someone with reduced physical, sensory or mental capabilities, or a lack of experience and knowledge unless they have been given supervision or instruction concerning use of the appliance in a safe way and understand the hazards involved.
- Make sure the electric vacuum is fully immersed in water before initiating operation. The minimum water level required to operate the device must be above the switching knob of the electric vacuum when it is held vertically. The product is only intended to be used underwater in a pool or spa; any other use will void the warranty.
- The electric vacuum must only be supplied at safety extra low voltage in accordance to the marking applied on it.
- Maximum operating depth in water is 2 meters (6.5 ft).
- Maximum water temperature: 5°C (41°F) – 42°C (107.6°F)
- Do not use this electric vacuum if any damage is detected.
- Replace damaged parts as soon as possible. Only use parts certified by the distributor or manufacturer.
- If an USB charging adaptor (not included) is used, make sure to connect it to the power source through a residual current device (RCD)/ a ground fault circuit interrupter (GFCI). If in doubt, consult a qualified, professional electrician.
- Disconnect the electric vacuum from the supply mains before carrying out any maintenance, such as cleaning the filter.
- The battery installed is a rechargeable Li-ion battery pack. Do not attempt to replace it yourself.
- This electric vacuum should only be charged with the included USB cable.
- DO NOT handle the electric vacuum while it is charging with wet limbs and without shoes.
- You should not operate this electric vacuum while the pool is being used.
- DO NOT use this electric vacuum without an intact filter bag / filter cage in place, as the warranty will be voided as a result.
- Suction entrapment hazard: This electric vacuum generates suction. Do not allow hair, body, or any loose parts of your clothing to be in the suction range of the electric vacuum during its operation.
- Never insert body parts, clothing, or other objects into the openings and moving parts of the electric vacuum.
- DO NOT use this electric vacuum to pick up any toxic substances, flammable, or combustible liquids such as gasoline, nor in the presence of explosive or flammable fumes.
- Under no circumstances should you attempt to disassemble the electric vacuum and replace the impeller, motor, and battery by yourself.
- Never insert any object to make contact with the impeller.
- This electric vacuum shall not be used by children.
- The battery must be removed from the electric vacuum before it is scrapped.
- This electric vacuum contains battery that are only removed by skilled persons.
- The electric vacuum must be disconnected from the supply mains when the battery is being removed.
- For the battery disposal detail, refer to the section "Battery Disposal" in this manual
- The battery is to be disposed safely in accordance with local ordinances or regulations.
- Electric vacuum's battery is a maintenance-free, rechargeable lithium-ion battery pack, which must be disposed properly. Recycling is required; please contact your local authorities for more information.

CAUTION!

- DO NOT attempt to use the electric vacuum to clean anything other than your pool / spa.
- Use only original accessories delivered with this product.
- DO NOT use this electric vacuum right after pool-shocking. It is recommended to first let the pool circulate for at least 24-48 hours.
- Do not use this electric vacuum with another electric vacuum/cleaner simultaneously.
- Avoid picking up hard, sharp objects with this product. They may damage the electric vacuum and filter.
- Exercise caution when cleaning pool stairs.
- To avoid damaging the USB charging cable, do not carry the electric vacuum by the cable or tug the USB cable to disconnect it from the power source and product.
- Charging must be done indoors, in a well-ventilated area away from sunlight, children, heat, ignition sources, and within an ambient temperature range of 5°C (41°F) and 35°C (95°F).
- DO NOT leave the electric vacuum plugged in to the charger for over 10 hours.
- If the electric vacuum will not be used for an extended period, make sure it's switched off and use a damp cloth to clean and dry it and its accessories. Make sure to change the electric vacuum to about 30% to 50% of the battery capacity before it is stored. Store in a well-ventilated area away from sunlight, heat, ignition sources, pool chemicals, and children. Recharge the electric vacuum every three months.

Above warnings and cautions are not intended to incorporate all possible instances for risks and / or severe injuries. Pool / spa owners should always exercise extra caution and common sense when utilizing the product.

TROUBLESHOOTING

Problem	Possible Cause	Solution
Electric vacuum does not capture the debris	Battery is drained	Charge the battery again.
	Impeller is jammed	Power off the electric vacuum and inspect the middle gap of the electric vacuum to see if the impeller is jammed by larger debris. If possible, use a small tool to remove it with intensive care & caution. If necessary, contact your dealer for further instructions. WARNING! Make sure the electric vacuum is powered off when the unit is being serviced.
	Impeller is broken	Contact an authorized dealer regarding replacements.
Debris escapes from the filter	filter bag / filter cage is full	Clean the filter bag / filter cage.
	One-way valve is damaged	One-way valve works like a door to prevent the debris from escaping from the filter. Contact dealer for replacement part and instructions.
Electric vacuum cannot be charged / recharged	filter bag / filter cage is damaged	Replace with a new filter bag / filter cage. Contact an authorized dealer regarding replacements.
	Battery is damaged	Contact an authorized dealer regarding replacements. WARNING! DO NOT open the electric vacuum and replace the battery by yourself. This could result in severe or fatal injuries, as well as voiding the warranty.
	USB cable is damaged	Replace with a new USB cable.
Pivoting suction head (if provided) does not move smoothly	USB charger (not included) is out of order	Replace with a new USB charger.
	Wheel is jammed	Clean out the debris from the wheel. Note: Do not attempt to take out the wheels.

Environmental Programmes, WEEE European Directive

Please respect the European Union regulations and help to protect the environment. Return non-working electrical equipment to a facility appointed by your municipality that properly recycles electrical and electronic equipment. Do not dispose them in unsorted waste bins. For items containing removable batteries, remove batteries before disposing of the product.

© 2020 Kokido Development Ltd. 20008027
All rights reserved. No part of this document may be reproduced or transmitted in any form or by any means, electronic, mechanical, photocopying, recording, or otherwise, without prior written permission of Kokido Development Ltd. (V1)

If soft copy of this instruction manual is required, please contact our customer service by email: customerservice@kokido.com

SAVE THESE INSTRUCTIONS

Manufacturer: Kokido Development Limited.
Unit 1319, Sunbeam Centre,
27 Shing Yip Street, Kwun Tong, Kowloon, HK

GETTING STARTED

IMPORTANT NOTE: Fully charge the electric vacuum for 6 hours before using it for the first time.

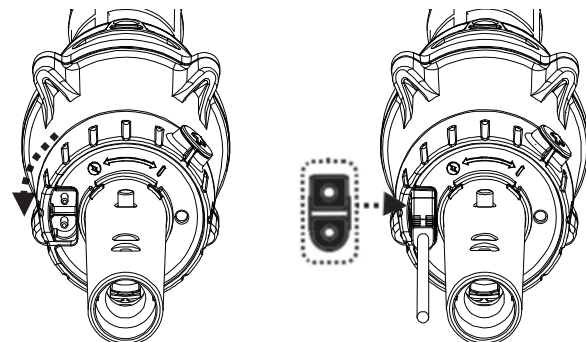
Charging the battery

NOTE: It requires a USB charging adaptor (not provided) with a safety output of 5.0V DC and 1.0A. For EU market, a CE-certificated USB charging adaptor shall be used. For US and Canada market, limited power source (LPS) or Class 2 type adaptor certificated by North America standards (such as UL 60950-1, CSA C22.2 No. 60950-1, UL 1310 and C22.2 No. 223) shall be used.

WARNING!

- Do not use the USB charging cable / USB charging adaptor if any damage is detected.
- Make sure both the electric vacuum and the charging port are clean and dry before charging them.
- Refer to the instruction manual of USB charging adaptor (not included) for instructions concerning safety and operation.

1. Place the unit on a flat surface. Set the vacuum to **Power Off/ Charging position** by turning the switching knob anticlockwise until it stops and completely exposes the charging port. Align and insert the USB charging cable into the charging port.



2. Connect the USB charging cable to the charging adaptor, then plug the charging adaptor into the power source. Once the electric vacuum begins to charge, the indicator light will turn red. Normally, it takes about **4.5 - 6** hours to reach a full charge. The indicator light will turn green once the electric vacuum is almost fully charged.

NOTE

- Always disconnect the USB charging adaptor from the power source as soon as charging is complete.
 - Immediately turn the power off and disconnect the USB charging adaptor from the power source if you detect any of the following conditions:
 - Offensive or unusual odor
 - Excessive heat
 - Deformation, cracks, leaks
 - Smoke
3. When charging is complete, disconnect the charging adaptor from the power source and unplug the USB cable from the adaptor and electric vacuum.

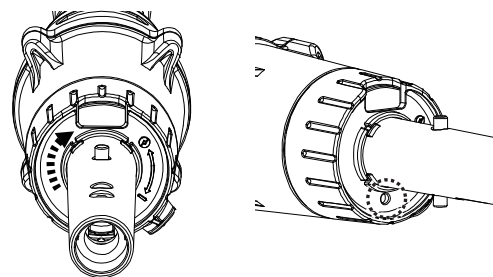
Normally, the electric vacuum can operate up to **30** minutes on a full charge (after **4.5-6** hours of charging)
Note: Clean the filter regularly. Excessive debris inside the filter will increase burden to the motor operation and shorten the operating duration as a result.

NOTE: Rechargeable lithium-ion battery is classified as a consumable item. It has a limited life and will gradually lose its capacity to hold a charge. Therefore, the running time of the electric vacuum will gradually reduce after repeated charging and discharging throughout its product life.

NOTE: Let the electric vacuum rest for **30 to 40 minutes** before charging it again.

OPERATION

Immerse the electric vacuum into water until water level reaches the switching knob. Follow the direction of marking "I" to switch the knob clockwise until it comes to a halt (you will hear a 'click' and a green dot will be exposed), the electric vacuum will begin to work immediately.



CAUTION

- DO NOT cover the side slot (middle gap) of the electric vacuum during operation, the impeller / motor may be damaged otherwise.
- Remove the electric vacuum from the pool/spa as soon as cleaning is complete.

CAUTION! Make sure the electric vacuum is always pointing downwards when it is placed into the pool. Otherwise, the pole connector may be bent and damaged as a result.

To retrieve the electric vacuum from the pool / spa, lift the electric vacuum while pointing it downwards in order to allow water to discharge.

Rinse the electric vacuum with fresh water after every use. DO NOT use any detergent.

EMPTYING THE FILTER

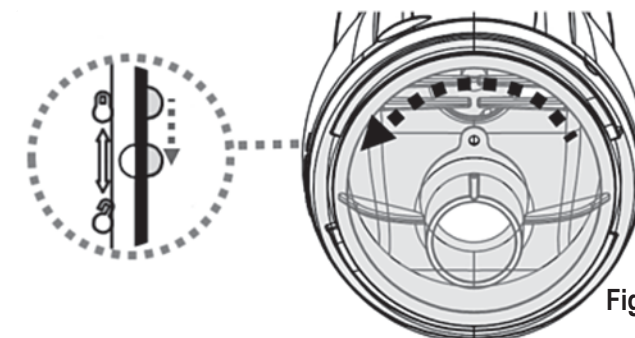
WARNING! Using the electric vacuum without a filter bag / filter cage in place will VOID your warranty.

In order to maximize the cleaning efficiency of the cleaner, be sure to clean the filter bag/ filter cage before and after each use.

CAUTION! If the electric vacuum is charging, disconnect the USB charging adaptor from the power source and detach the electric vacuum from the USB charging cable before making any attempts to clean it.

Emptying filter bag / filter cage

1. Place the electric vacuum on a stable surface.
2. Hold the electric vacuum body and turn the canopy anticlockwise until the white marking on the canopy reaches the lock-unlock marking. (**Fig.1**) Detach the canopy and remove the filter bag / filter cage from the electric vacuum



CAUTION! Replace a damaged filter bag / filter cage with a new one before initiating the next operation.

3. Clean out the debris and rinse the filter bag / filter cage with water. If brushing is deemed necessary, use only a soft brush to clean it gently and carefully.
4. Replace the filter bag / filter cage inside the electric vacuum. Reverse the steps to align and attach the canopy to electric vacuum and turn the canopy anticlockwise until it comes to a halt.

CAUTION! Replace a damaged filter bag / filter cage with a new one before initiating the next operation.

MAINTENANCE & STORAGE

NOTE:

1. Battery discharges on its own during storage. The battery should be stored at room temperature, charged to about 30% to 50% of its capacity.
2. You must recharge the battery at least once every three months if it is not frequently used.
 - Disconnect all USB charging peripherals.
 - Detach all accessories from the electric vacuum. If necessary, rinse the electric vacuum and accessories with fresh water. DO NOT use detergent.
 - Be sure to drain the water from the electric vacuum before storing it.
 - Use a damp cloth to clean and dry the electric vacuum and its accessories.
 - Store them in a well-ventilated area away from the sunlight, children, heat, ignition sources, and pool chemicals. Ambient temperature for storage should be 10°C – 25°C (50°F – 77°F). NOTE: A higher temperature may reduce the battery life during storage.

WARNING!

- Under no circumstances should you attempt to disassemble the electric vacuum and replace the impeller, motor and battery by yourself.

CAUTION!

- Excessive heat can damage the battery and reduce the lifespan of your electric vacuum as a result.
 - Consult your dealer regarding battery replacement if the following happens:
 - Battery appears damaged or will not charge fully.
 - Battery operation time is noticeably reduced. Observe and record the run times of the first few operations (on a full charge). Use these run times as a reference point to compare with run times of older batteries.
 - The battery must be removed from the electric vacuum before it is scrapped.
 - The electric vacuum must be disconnected from the supply mains when the battery is being removed.
 - The battery is to be disposed safely in accordance with local ordinances or regulations.
- NOTE:** Incorrect maintenance may reduce the battery life and affect its capacity as a result.

BATTERY DISPOSAL (To be carried out by authorized technician)

Your electric vacuum's battery is a maintenance-free, rechargeable lithium-ion battery pack, which must be disposed properly. Recycling is required; please contact your local authorities for more information.

WARNING!

Never attempt to disassemble a battery pack

- Be sure to remove all personal items such as rings, bracelets, necklaces, and watches before you unwire the battery pack from the electric vacuum.
- A battery can produce a short circuit current high enough to weld a ring (or similar items) to metal, potentially causing a severe burn in the process.
- Wear complete eye protection, gloves, and protective clothing before you remove the battery pack.
- Avoid touching the wires altogether and avoid allowing them to make contact with any metal items, which could cause sparking and/or short-circuit the battery.
- Never smoke or allow a spark or flame in the vicinity of the battery or the electric vacuum.
- Do not expose the battery to fire or intense heat as this may result in an explosion.

CAUTION!

If a battery leak occurs, avoid contact with the leaking fluids and place the damaged battery in a plastic bag.

- If leaking fluids come in contact with skin and clothing, wash immediately with plenty of soap and running water.
- If leaking fluids come in contact with eyes, immediately flush them with cool, running water for at least 15 minutes and do not rub them. Seek medical attention immediately.

27 Aug. 2020

EV02 Parts Diagram (KOK)(GB/F/E/D/NL)

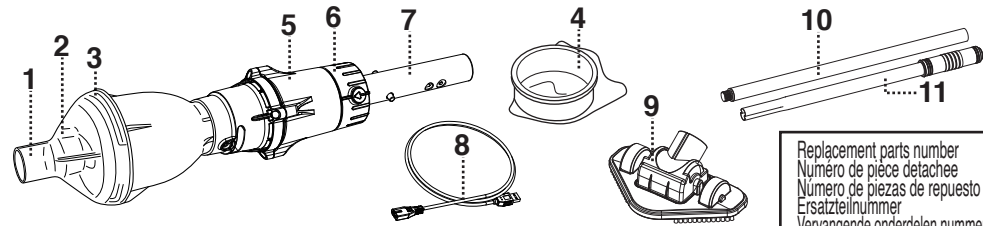
size: W210 x L290mm

Material: 100gsm art paper (上光紙 / 粉紙)

Finishing: - -

Printing: 1C (black)

PARTS DIAGRAM
DIAGRAMME DES PIÈCES
DIAGRAMA DE LAS PARTES
TEILEÜBERSICHT
ONDERDELENDIAGRAM



Replacement parts number
 Numero de piece detachee
 Numero de piezas de repuesto
 Ersatzteilnummer
 Vervangende onderdelen nummer

1.	Suction nozzle	Buse d'aspiration	Boquilla de aspiración	Saugdüse	Zuigmondstuk	- - - - -
2.	Canopy	Canopée	Contenedor trasparente	Kap	Haube	EV05-01
3.	Valve	Volet de la buse d'aspiration	Válvula	Ventil	Klep	- - - - -
4.	Filter bag	Sac filtrant	Saco del filtro	Filterzak	Filterbeutel	EV05-02
5.	Main body	Corps principal	Cuerpo principal	Hauptgehäuse	Hoofdgedeelte	EV02-02 EV02-02/US
6.	Switching knob (2 modes of operation: Power On / Off & Charging)	Bouton de d'allumage (2 modes de fonctionnement: Marche / Arrêt (Charge))	Perilla interruptor (2 modos de operación: Apagado / Encendido y recarga)	Schaltknopf (2 Betriebsarten: Ein-/Ausschalten & Laden)	Schakelknop (2 werkingstoestanden: Aan- / Uitzetten & Opladen)	- - - - -
7.	Pole connector	Connecteur de manche	Conector de pértiga	Stabkupplung	Paalaansluiting	- - - - -
8.	USB charging cable	Câble USB de chargement	Cable de carga USB	USB-Ladekabel	USB-oplaadkabel	EV05-10-01
9.	Pivoting suction head	Tête d'aspiration pivotante	Cabeza de aspiración pivotante	Schwenkbarer Saugkopf	Draaibare zuigkop	EV05-08
	Pole sections	Manche en sections	Pértiga en secciones	Stababschnitte	Delen paal	
10.	Pole (with threaded knob)	Manche (avec boutons filetés)	Pértiga (con pomos roscados)	Stab (mit Schraubknopf)	Paal (met schroefdraadknop)	EV01-06-002
11.	Pole with grip	Manche avec poignée	Pértiga con mango	Stab mit Griff	Paal met grip	EV01-06-001

Battery: Rechargeable Li-ion battery pack, 2000mAh, 3.7V, 7.4Wh Charging voltage: 5.0V DC, 1.0 A
 Batterie: Batterie rechargeable Li-ion, 2000mAh, 3.7V, 7.4Wh Voltage de chargement: 5.0V DC, 1.0 A
 Batería: batería de paquete de iones de litio recargable, 2000mAh, 3.7V, 7.4Wh Tensión de carga: 5.0V DC, 1.0 A
 Batterie: Wiederaufladbares Li-Ion-Batteriepack, 2000 mAh, 3,7 V, 7,4 Wh Ladespannung: 5,0 VDC, 1,0 A
 Batterij: herlaadbare Lithium-ionaccu, 2000mAh, 3.7V, 7.4Wh Laadspanning: 5.0V DC, 1.0 A

EV02CBX/KIT/EU
 EV02CBX/KIT/US
 EV02CBX/EU
 EV02CBX/AU
 EV02CBX/US
 EV02DIS/CBX/EU

Assembly / Assemblage / Montaje / Montage / Toebehoren:

Pivoting suction head / Tête d'aspiration pivotante / Cabeza de aspiración pivotante / Schwenkbarer Saugkopf / Draaibare zuigkop

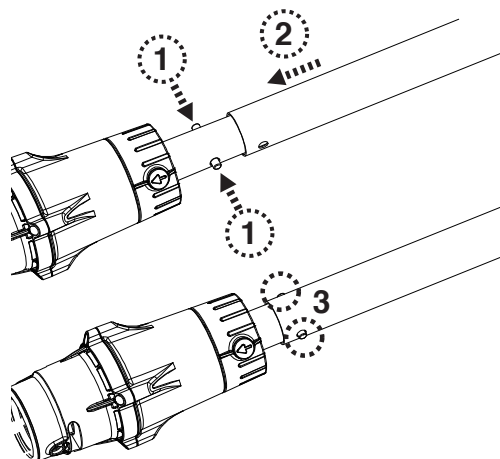
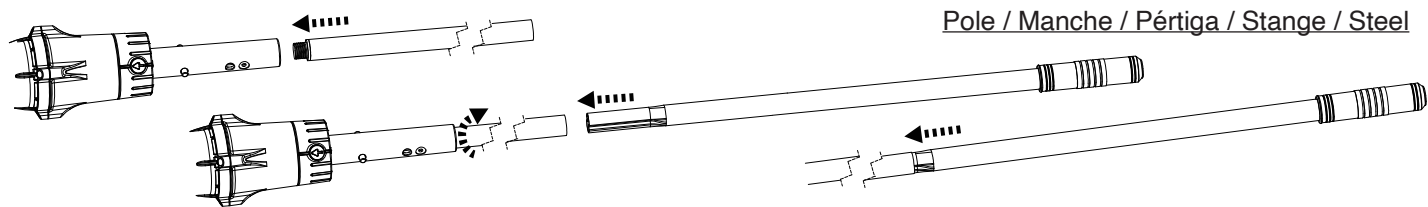
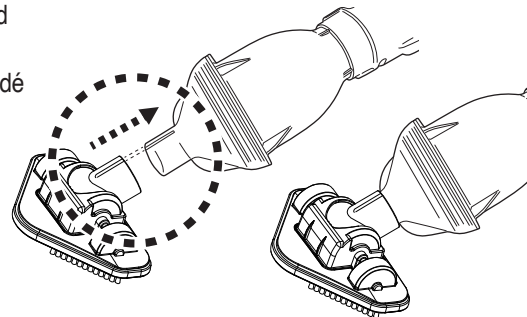
Note: For vinyl liner and fiberglass pools / spas, it is recommended to keep the suction head to avoid damaging the pool / spa.

Note: Pour les piscines / spas avec revêtement en fibre de verre ou vinyle, il est recommandé de garder la tête d'aspiration pivotante pour éviter d'endommager la piscine / le spa.

Nota: En piscinas / spas de revestimiento de vinilo o de fibra de vidrio, se recomienda mantener el cabeza de aspiración pivotante para evitar dañar la piscina / spa.

Hinweis: Für Pools und Spas mit Vinyl- und Glasfaserverkleidung wird empfohlen, die Schwenkbarer Saugkopf, um Beschädigungen am Pool oder Spa zu vermeiden.

Opmerking: Om schade te voorkomen in zwembaden of spa's met een vinyl- of glasvezelbekleding is het raadzaam om de draaibare zuigkop.



Telescopic pole (not included) / Manche télescopique (non inclus) / Pértiga telescópica (no incluido) / Teleskopstange (nicht inbegriffen) / Uitschuifbare steel (niet bijgeleverd)

To release the telescopic pole, press down on both the side tabs simultaneously, and then pull out the pole.

Pour libérer le manche télescopique, appuyez simultanément sur les pattes latérales, puis retirez le manche.

Para soltar la pértiga telescópica, presione ambas los pasadores laterales al mismo tiempo, luego saque la pértiga.

Um Teleskopstange zu lösen, drücken Sie die beiden seitlichen Stifte gleichzeitig nach unten und ziehen Sie die Stange heraus.

Om de uitschuifbare steel te demonteren drukt u tegelijkertijd de twee zijpinnen in en vervolgens trekt u de steel eruit.