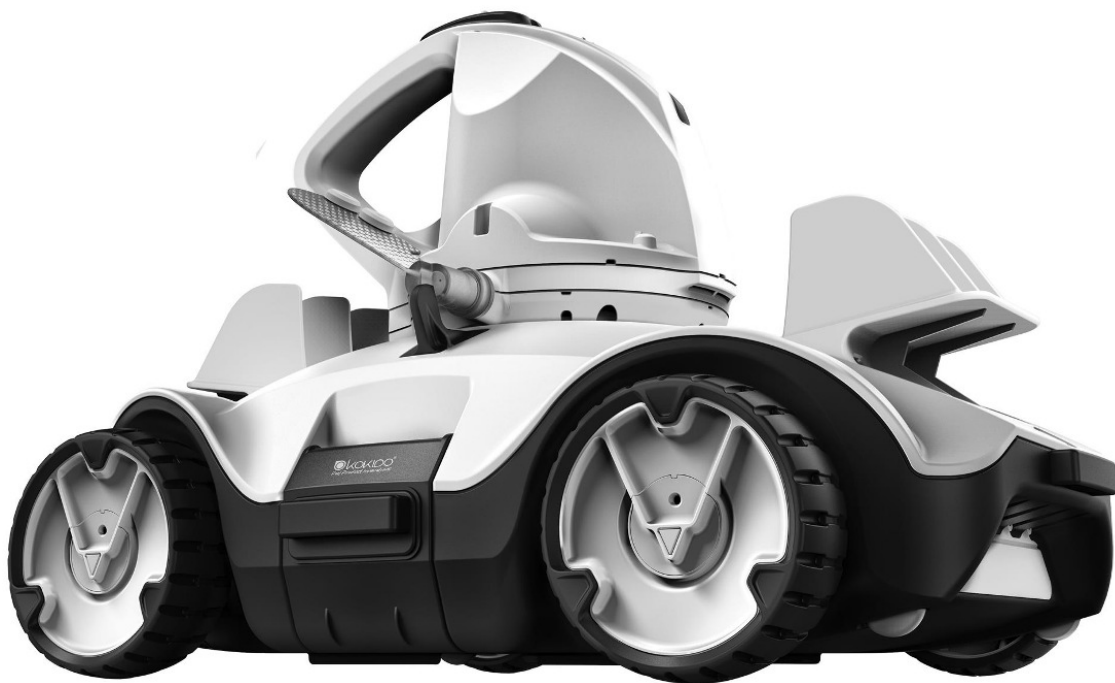


AUTONOMOUS POOL ROBOT
USER MANUAL
ROBOT DE PISCINE AUTONOME
MANUEL D'UTILISATION
ROBOT DE PISCINA AUTOMÁTICO
MANUAL DE USUARIO
AUTOMATISCHE ZWEMBADREINIGER
HANDLEIDING
ROBOT DA PISCINA AUTOMATICO
MANUALE DELL'UTENTE
AUTONOMER POOL-ROBOTER
BEDIENUNGSANLEITUNG



RC32

Table Of Contents

SAFETY WARNINGS & INSTRUCTIONS	P.7
HOW THE ROBOT WORKS	P.10
GETTING STARTED	P.11
Charging The Battery	P.11
Set-Up Before Use	P.12
Floor Squeegee assembly	P.12
Clip-on Rake/ Brush Assembly	P.13
Adjustment of Trajectory	P.13
Locking pin	P.13
Bumper	P.14
Pool Preparation	P.14
OPERATION	P.14
EMPTYING THE DEBRIS COMPARTMENT	P.17
MAINTENANCE & STORAGE	P.18
BATTERY DISPOSAL	P.18
How to remove the battery pack	P.19
TROUBLESHOOTING	P.21

Remark: Product/parts photos/drawings in this manual are for demonstration only.
Product/parts in photos/drawings may vary with the model purchased.

Table des matières

AVERTISSEMENTS ET INSTRUCTIONS	P.23
FONCTIONNEMENT DU ROBOT	P.26
POUR COMMENCER	P.27
Chargement de la batterie	P.27
Assemblage avant utilisation	P.28
Installation des nervures de capture	P.28
Assemblage du raclette et de la brosse	P.29
Ajustement de la trajectoire	P.29
Goupille de verrouillage	P.29
Pare-chocs	P.30
Préparation de la piscine	P.30
FONCTIONNEMENT	P.30
VIDER LE COMPARTIMENT A DEBRIS	P.33
ENTRETIEN & STOCKAGE	P.34
MISE AU REBUT DE LA BATTERIE	P.35
Comment retirer la batterie	P.35
DEPANNAGE	P.37

Remarque: Les photos / dessins de produits / pièces de ce manuel sont uniquement à titre de démonstration. Le produit / les pièces dans les photos / dessins peuvent varier en fonction du modèle acheté

Índice de contenidos

AVISOS E INSTRUCCIONES DE SEGURIDAD	P.40
FUNCIONAMIENTO DEL LIMPIAFONDOS	P.43
PRIMEROS PASOS	P.44
Cargando la batería	P.44
Montaje previo al uso	P.45
Instalación de la escobilla del suelo	P.45
Instalación del rastrillo/escobilla a presión	P.46
Ajuste de la trayectoria	P.46
Pasador de seguridad	P.46
Parachoques	P.47
Preparación de la piscina	P.47
FUNCIONAMIENTO	P.47
VACIADO DEL COMPARTIMENTO DEL FILTRO	P.50
MANTENIMIENTO Y ALMACENAMIENTO	P.51
ELIMINACIÓN DE LA BATERÍA	P.51
Cómo retirar el paquete de baterías	P.52
RESOLUCIÓN DE PROBLEMAS	P.54

Observación: Las fotografías/ilustraciones del producto o de sus piezas que aparecen en este manual solo se incluyen a modo de muestra. El producto o las piezas que aparecen en las fotografías/ilustraciones pueden variar respecto al modelo adquirido.

Inhoudsopgave

WAARSCHUWINGEN EN VEILIGHEIDSAANWIJZINGEN	P.57
HOE WERKT DE ROBOT	P.60
AAN DE SLAG	P.61
De batterij laden	P.61
Vorbereiding	P.62
Montage Vloerwissers	P.62
Hark/ Borstelmontage met clipbevestiging	P.63
Afstelling van Traject	P.63
Borgpen	P.63
Bumper	P.64
Vorbereiding van het Zwembad	P.64
WERKING	P.64
DE FILTERBAK LEEGMAKEN	P.67
ONDERHOUD EN OPSLAG	P.68
DE BATTERIJ WEGWERPEN	P.69
De accu verwijderen	P.69
PROBLEMEN OPLOSSEN	P.71

Opmerking: Foto's/tekeningen van (onderdelen van) het product in deze handleiding dienen alleen ter illustratie. Foto's/tekeningen van (onderdelen van) het product kunnen verschillen van het model dat u hebt aangeschaft.

Indice

AVVERTENZE DI SICUREZZA & ISTRUZIONI	P.74
COME FUNZIONA IL ROBOT	P.77
GUIDA INTRODUTTIVA	P.78
Ricarica della batteria	P.78
Configurazione prima dell'uso	P.79
Montaggio della spatola per pavimento	P.79
Rastrello ad aggancio/ Assemblaggio spazzola	P.80
Regolazione della traiettoria	P.80
Perno di bloccaggio	P.80
Paraurti	P.81
Preparazione della piscina	P.81
FUNZIONAMENTO	P.81
SVUOTAMENTO DEL FILTRO	P.84
MANUTENZIONE E STOCCAGGIO	P.85
SMALTIMENTO DELLA BATTERIA	P.85
Come rimuovere la batteria	P.86
RISOLUZIONE DEI PROBLEMI	P.88

Precisazione: I prodotti/foto dei pezzi/bozzetti nel presente manuale sono solo a scopo dimostrativo. I prodotti/pezzi nelle foto/bozzetti possono variare rispetto al modello acquistato.

Inhaltsverzeichnis

SICHERHEITSWARNUNGEN UND -HINWEISE	S.91
BETRIEB DES ROBOTERS	S.94
VOR DER INBETRIEBNAHME	S.95
Aufladen des Akkus	S.95
Zusammenbau vor Verwendung	S.96
Montage des Bodenschrubbers	S.96
Aufsteckbarer Abstreifer/Bürste	S.97
Einstellung der Reinigungsstrecke	S.97
Sperrstift	S.97
Stoßstange	S.98
Vorbereitung des Beckens	S.98
BEDIENUNG	S.98
LEEREN DES SCHMUTZFACHS	S.101
WARTUNG UND LAGERUNG	S.102
ENTSORGUNG DES AKKUS	S.103
Herausnehmen des Akkus	S.104
STÖRUNGSBESEITIGUNG	S.105

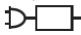
Kommentare Produkte/Teile auf den Fotos/Zeichnungen in dieser Anleitung dienen nur zur Veranschaulichung. Produkte/Teile auf den Fotos/Zeichnungen können beim gekauften Artikel variieren.

SAFETY WARNINGS & INSTRUCTIONS

Information contained in this Instruction Manual will help you operate the item safely, protect yourself and others from hazards, and prevent damage to the device and other property.

SAVE THESE INSTRUCTIONS

WARNING!

- This is not a TOY. Children should be kept out of reach from this robot and its accessories.
- Never allow children to operate this product.
- This appliance is not intended for use by persons with reduced physical, sensory, mental capabilities, or a lack of experience and knowledge, unless they are given supervision or instructions concerning the safe use of the appliance and understand the hazards involved by a person responsible for their safety.
- Children must not play with this product.
- Cleaning and maintenance of the robot must not be carried out by children.
- Make sure the robot is fully immersed in the pool before initiating operation. The minimum water level required to operate the robot must reach above the swivel head of the robot. Operating the robot when it is not immersed correctly could damage the unit and void the warranty.
- Maximum operating depth in water is 3 meters (10 ft).
- Operating water temperature: 5°C (41°F) –35°C (95°F)
-  Detachable supply unit (external adaptor).
- The robot should only be recharged with the external adaptor and charging plug delivered with this product
- For the purposes of recharging the battery, only use the detachable supply unit (external adaptor model number: DSS18-0842000-B / DSS18-0842000-C / DSS18-0842000-D/ LX084200) that provided with this robot to charge the battery.
- Connect the external adaptor to a power source through a residential current device (RCD) / a ground fault circuit interrupter (GFCI). If in doubt, consult a qualified electrician.
- Do not use this robot if any damage is detected.
- Replace damaged parts with ones that are certified by the distributor or manufacturer.
- Turn off the robot, disconnect the external adaptor from the power source, and unplug the external adaptor from the charging plug, before detaching the robot from the charging plug.
- Disconnect the robot from the supply mains and make sure the robot is OFF prior to carrying out regular maintenance – such as cleaning the filter, swivel smoothing-ring, and the areas around the water sensors and charging port.
- Do not attempt to replace the installed rechargeable Li-ion battery pack.

- DO NOT handle the robot, external adaptor, and charging plug while it is charging with wet limbs and without shoes.
- You should not operate this robot when people and/or pets are present in the water.
- DO NOT use this robot without an intact filter in place, otherwise your warranty will be voided as a result.
- Suction entrapment hazard: This robot generates suction. Do not allow hair, body, and any loose parts of your clothing to make contact with the suction hole of the robot during its operation.
- Never insert body parts, clothing, and other objects into the openings and moving parts of the robot.
- DO NOT use this robot to pick up any toxic substance, flammable, and combustible liquids (i.e. gasoline) in the presence of explosive or flammable fumes..
- Under no circumstances should you disassemble the swivel head to replace its internal components by yourself. Doing so would void the warranty, expose yourself to potential hazards, and possibly damage the device and other properties.
- Never insert fingers or any object to touch the impeller.
- The built-in battery must be removed by a skilled technician before it is scrapped.
- This robot contains a battery that are only to be removed by skilled persons.
- The robot must be disconnected from the supply mains as the battery is removed.
- For details regarding battery recycling/disposal, refer to the section “BATTERY DISPOSAL” in this manual and contact your local authorities for more information.
- The battery must be disposed safely in accordance with local ordinances or regulations.

- External adaptor and charging plug :
 - Never use the external adaptor and charging plug for anything other than charging the battery of the robot that is supplied in the same pack.
 - The external adaptor and charging plug should not be used outdoors, nor should it be exposed to rain, humidity, and any liquid or heat.
 - The transformer (or external adaptor) is to be located outside zone 1
 - Keep the external adaptor and charging plug out of reach of children.
 - Never use the external adaptor and charging plug if any damage is detected.
 - DO NOT handle the external adaptor and charging plug with wet hands.
 - Keep the external adaptor disconnected from power when it is not in use.
 - Never attempt to pry open the external adaptor.
 - If the supply cord of the external adaptor is damaged, the external adaptor must be replaced by the manufacturer or its service agent to prevent hazards of any kind.

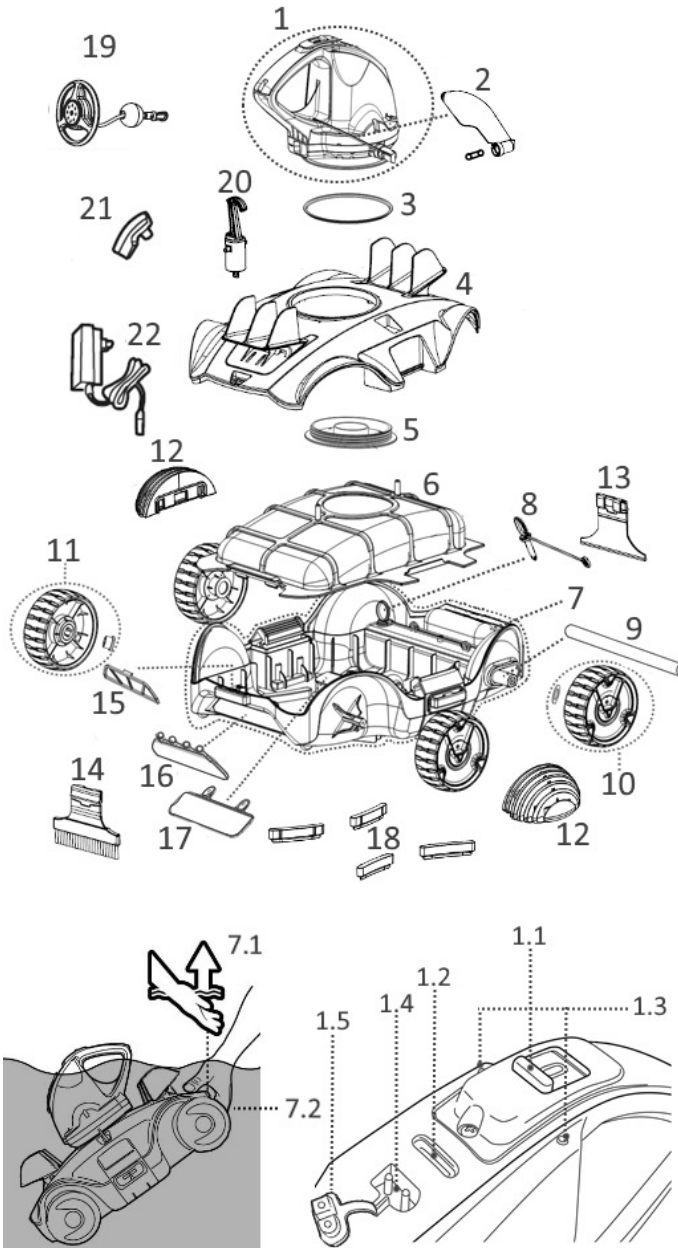
- Make sure the robot is completely dry before charging.

CAUTION!

- This robot is designed for underwater use only; it is not an all-purpose vacuum cleaner. DO NOT attempt to use it to clean anything other than your pool.
- Use only the original accessories delivered with this product.
- DO NOT use this robot right after pool-shocking. It is recommended to first leave the pool circulating for at least 24-48 hours.
- If you are planning on using the robot in a saltwater pool, make sure all salt are dissolved before deploying the robot.
- DO NOT use this robot with another automatic cleaner/cleaner simultaneously in the pool.
- Remove hard, sharp objects from the pool before deploying the robot to avoid damages to the robot and its filter.
- To avoid damages to the external adaptor and charging plug, do not attempt to carry the robot by the cord of external adaptor / charging plug or pull the cord to disconnect it from the power source and charging plug.
- Charge the robot indoors in a clean, dry area with good ventilation and away from sunlight.
- DO NOT leave the robot charged for over 10 hours.
- If the robot will not be used for an extended period, detach it from the charging plug and use a damp cloth to clean and dry the robot and its accessories. Make sure to charge the robot to about 30% to 50% of the battery capacity before it is stored. Store it in a well-ventilated area away from sunlight, heat, ignition sources, pool chemicals, and children. Recharge the robot every three months.
- All actions concerning the disassembly of the swivel head (ie. battery disposal) should only be carried out by an authorized technician.

Above warnings and cautions are not intended to incorporate all possible instances for risks and / or severe injuries. Pool / spa owners should always exercise extra caution and common sense when utilizing the product.

HOW THE ROBOT WORKS



Replacement Parts Number

1.	Swivel head (with side flap)	Including float, swivel smoothing-ring, protective cap & bottom screw plate: RC30ASM07 RC30ASM07/US (USA)
1.1.	Sliding switch	-----
1.2.	Power indicating light	-----
1.3.	Water sensors	-----
1.4.	Charging port	-----
1.5.	Protective cap (for charging port)	-----
2.	Side flap (with side side pin)	RC26-07
3.	Swivel smoothing-ring	RC30-08-004
4.	Top cover	RC32ASM03
5.	Swivel head bottom screw plate	RC30-05-005
6.	Filter cover	RC30-09
7.	Base	RC32ASM04 RC32ASM04/US (USA)
7.1.	Grip indicator	-----
7.2.	Grip (underneath the base)	-----
8.	Locking pin	RC30-10-014
9.	Wheel axle	RC30ASM08
10.	Rear wheel (with washer)	
11.	Front wheel (with washer)	RC30-12
12.	Bumper x 2	RC30-18
13.	Clip-on rake	RC32ASM10
14.	Clip-on brush	
15.	Draining filter plate	RC30ASM09
16.	Drainage outlet flap	
17.	Suction mouth flap	
18.	Floor Squeegee x 4	RC30-10-012
19.	Float	RC35-13
20.	Hook (with V-clip) for Telescopic pole)	RC30-16
21.	Charging plug	RC26-17
22.	Adaptor	RC30-17-002 (EU) RC30-17-002/US (USA) RC30-17-002/AU (Australia/New Zealand)

The robot has a water-propelling nozzle at the bottom of the swivel head. Water is first sucked in through the suction mouth at the bottom of the robot, which then goes through the filter and is discharged via the propelling nozzle. Water jetting from the nozzle propels the robot forward. Once the robot stops against an obstacle such as the pool wall, its side flap sways and its swivel head turns 180°, allowing the robot to move in the opposite direction. The robot moves in a generally straight pattern in one direction and in an arc pattern in the other direction. The robot vacuums the pool bottom as it moves, collecting debris in its compartment.

GETTING STARTED

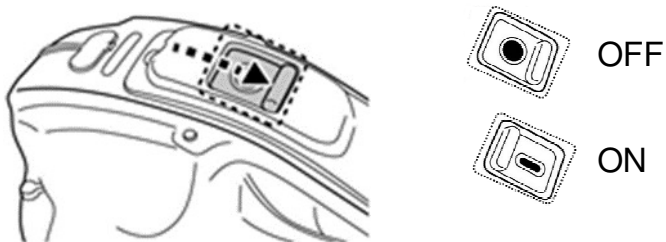
Charging The Battery

IMPORTANT NOTE: Fully charge the robot (about 6 hrs) before using it for the first time.

WARNING!

- Use only the original external adaptor and charging plug provided.
- Make sure the robot and the charging port are clean and dry before set-up and charging. (TIPS : Pry open the protective cover and use a cotton bud to dry the charging port and charging pins)
- The charging pins are waterproof. However, remnants of water in the port and around the pins could result in natural occurrence of stains (a byproduct of chemical reaction between water and electric currents). Otherwise, the stains can be removed by light scrubbing with a cotton bud soaked with juice of lemon or vinegar.
- Make sure the robot is off by sliding the switch to the OFF position prior to charging.

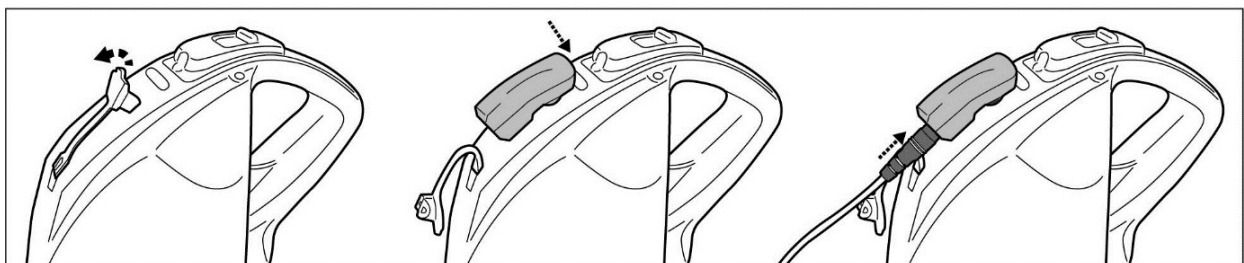
1. Place the unit on a flat surface. Slide the switch to the OFF position.



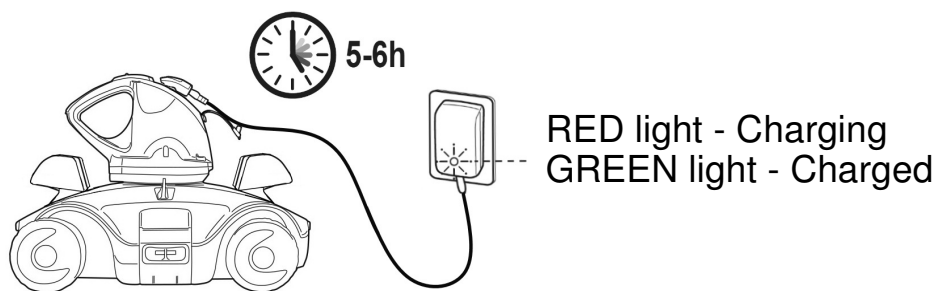
2. Pry open the protective cap. Align and attach the charging plug to the charging port.

WARNING! Be sure not to invert the charging plug and ensure both the charging plug and charging port are clean and dry before charging them.

TIPS: Use cotton bud to dry the charging port and pins. Plug the charging cable of the external adaptor into the charging plug.



3. Connect the external adaptor to the power source. The indicator light on the external adaptor turns red once the charging begins. The indicator light on the external adaptor will turn green when the robot is charged.



- Immediately disconnect the external adaptor from the power source if you detect any of the following:
 - Offensive or unusual odor
 - Excessive heat
 - Deformation, cracks, leaks
 - Smoke
- 4. When charging is complete, disconnect the external adaptor from the power source and unplug the charging plug from the unit and external adaptor.

Normally the robot can operate up to 90 minutes on a full charge.

Note: Clean the debris compartment regularly. Excessive debris inside the debris compartment increases the burden to the motor operation and shortens the operating duration as a result.

NOTE: Rechargeable lithium-ion battery is classified as a consumable item. It has a limited life and will gradually lose its capacity to hold a charge. Therefore, the running time of the robot will gradually reduce after repeated charging and discharging throughout its product life.

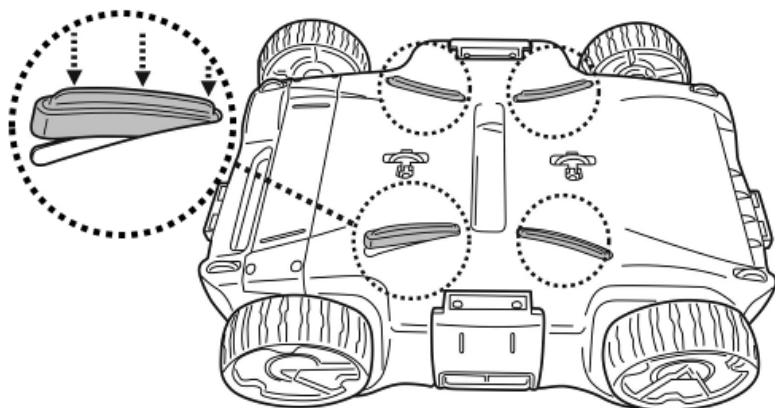
Once the lifespan of the battery reaches its end, refer to section “BATTERY DISPOSAL” for instructions regarding battery disposal and replacement of swivel head.

NOTE: Let the robot rest for around 30 to 40 minutes before charging it again.

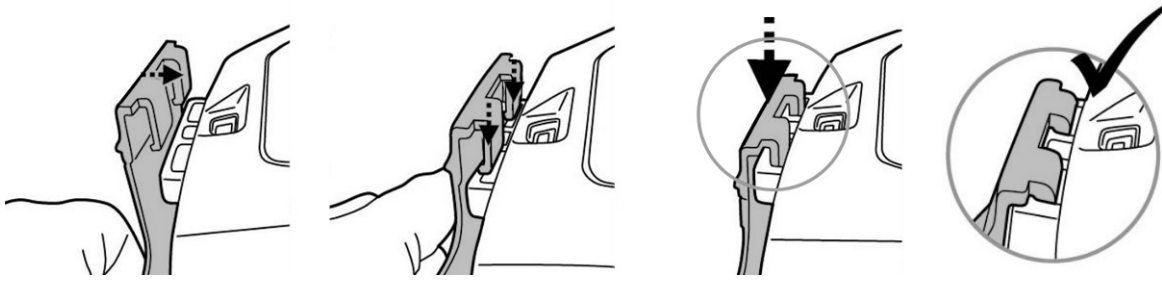
Set- up Before Use

Floor Squeegee Assembly

Align and insert all squeegees into the notches at the underside of the robot.



Clip-on Rake/ Brush Assembly



TIPS: Press on the two hook ends to remove the rake/brush



IMPORTANT NOTE:

1. Remove rake/brush after use. Otherwise, they may deform due to constant compression, and could interrupt robot movement as a result.
2. It is not recommended to use rake or brush and squeegee simultaneously as it possibly slow down and interrupt the robot movement.

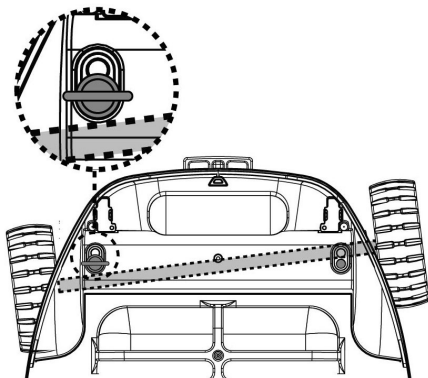
Adjustment of Trajectory

Locking Pin

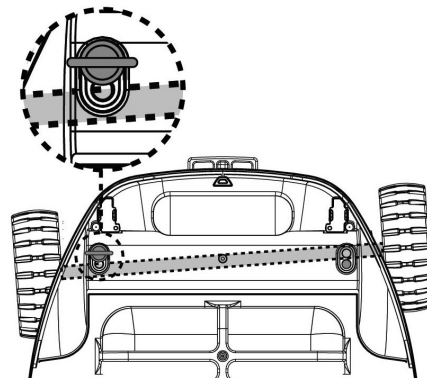
The trajectory of the robot is dependent on the position of the pin that fixes the axle to a certain angle. There are two locking pins: the one on the right is fixed and should remain untouched. Alter only the position of the pin on left.

Recommended settings:

For pools where the shortest length is 3 meters or below. (Factory setting)



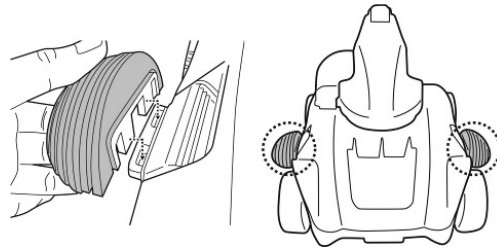
For pools where the shortest length is 3 meters or above



Bumper

The bumper is optional and can be used in the following situation:

If the robot tends to follow the perimeter of the round pool, clipping a bumper on each side of the robot will eliminate this pattern.



Pool Preparation

- If there are stones, roots or metal corrosion in contact with the underside of the liner, discard them prior to using the robot. If necessary, seek assistance from a qualified professional.
- If the liner is brittle, damaged or wrinkled, contact a qualified professional to perform the necessary repairs or perform a liner replacement prior to using the robot.
- Remove any pool ladder, surface skimmer, and other floating objects from the pool as they may obstruct the movement of the robot's float and, consequently, the movement of the robot also.
- If you are using a saltwater pool, make sure all salt are dissolved before placing the robot into the water.

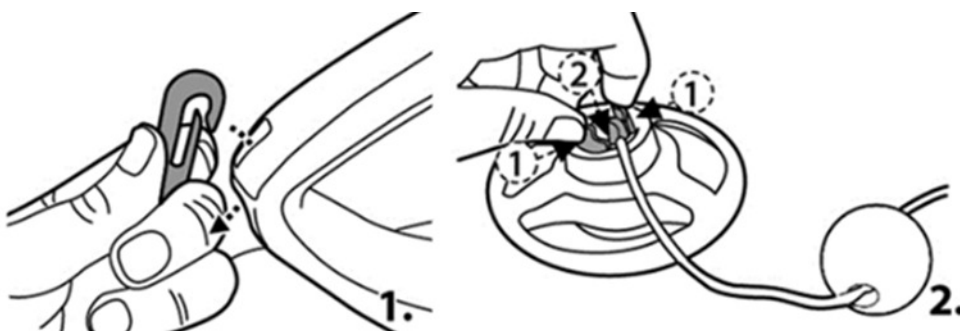
IMPORTANT NOTE: Turn off the filtration system (as instructed in your filtration manual) at least 15 minutes prior to deploying the robot.

OPERATION

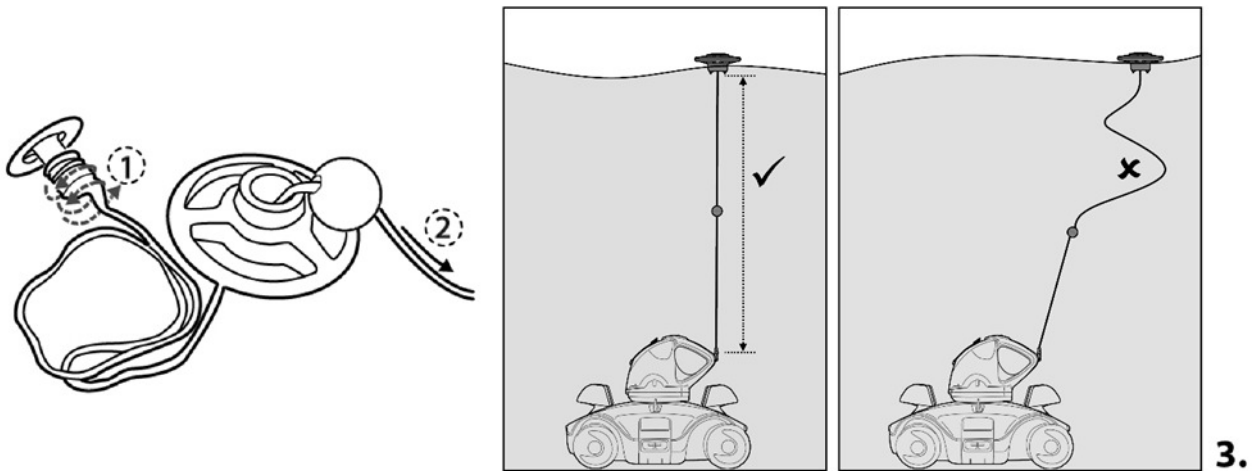
WARNING!

- Make sure the robot is off.
- Ensure the charging plug is detached and the charging port is plugged with the protective cap before the robot is deployed.

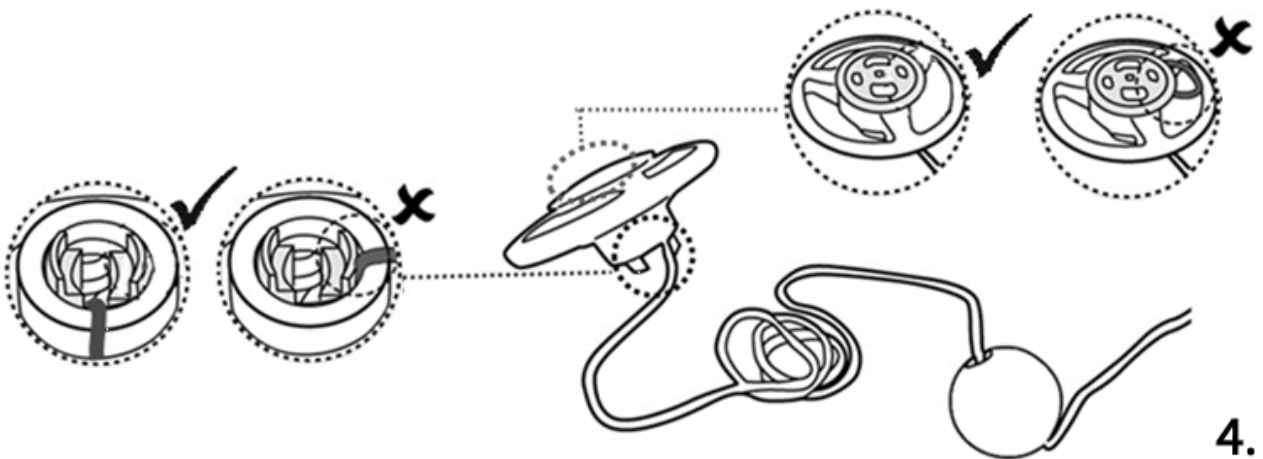
1. Bring the robot to the side of your pool. NOTE: Only deploy the robot from the pool side (not the pool corner) and ensure it is facing outwards as you do so. Attach the hook of the float to the handle of the swivel head. Press on the side clip to eject the stem from the float.



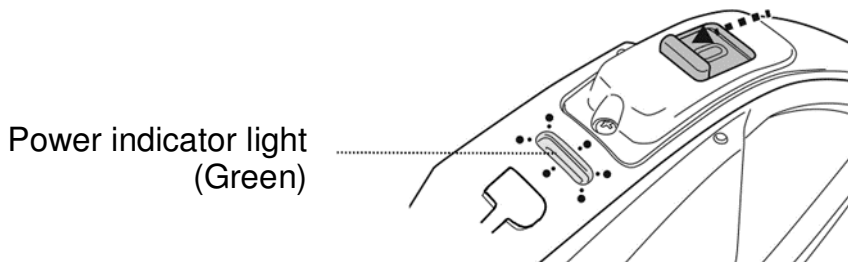
Release the retrieval cord from the stem to a length equivalent to the distance between the handle of the robot and the water level. **NOTE:** Excess length may kink the rope and affect performance as a result.



Once the desired length has been achieved, maintain it by holding the rope onto the stem and reattach it to the float by pressing on the side clip as shown.



2. With the robot switched off, submerge it in the pool and gently shake it a few times to facilitate discharge of air. Excess air trapped in the body could result in erratic behavior of the swivel head (i.e. spinning repeatedly in the pool for a few minutes).



3. Slide the power switch to “ON” (while the robot is still submerged) – the indicator light will turn on and activate the motor automatically (water level covering the sensors at the top of the swivel head). Let the robot sink to the pool floor and observe its first forward and reversed movements across the pool bottom. If it runs along the pool wall instead of

perpendicularly, retrieve it and redeploy it while making sure its front/back is facing the pool wall.

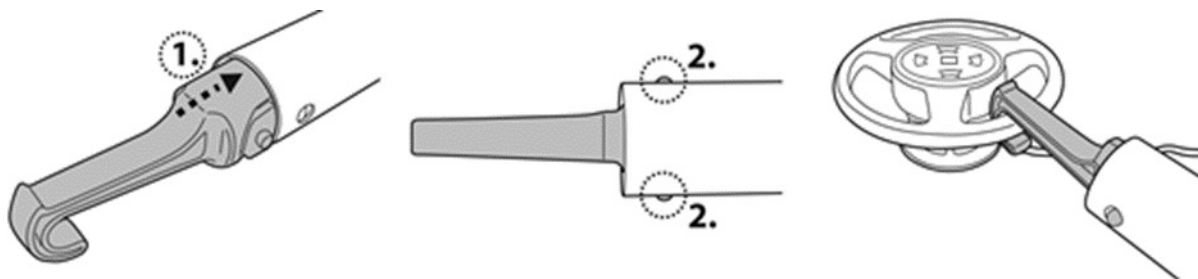
Power indicator light starts to blink when 10 minutes of usage remains.
Power indicator light:

- No light - Power off / no power
- Light - Power on
- Blinking light - Battery power will be exhausted within 10 minutes.

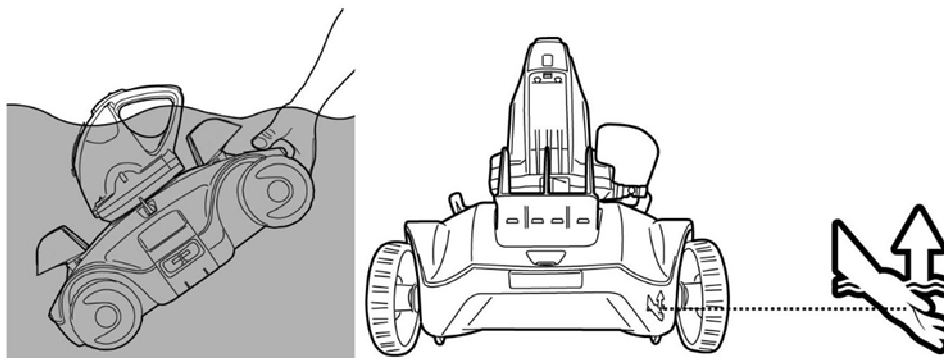
NOTE:

- Refrain from making any physical contact with both water sensors.

4. To retrieve the robot from the pool, attach the hook to a telescopic pole (not provided) and use it to retrieve the float, if you are unable to retrieve with your hands.



As soon as the robot reaches the water surface, locate the grip that is underneath the base and indicated with the hand symbol (see diagram below) to facilitate retrieval from the pool. Make sure to always grip the robot from this end to prevent debris from falling back into the pool during retrieval.



5. Slide the power switch OFF. Rinse the robot with fresh water after every use. DO NOT use any detergent.
6. Dry the charging port and pins thoroughly (TIPS: Use cotton bud to dry them)

NOTE: To ensure the most efficient cleaning, when your pool is quite dirty, it is recommended to empty the debris compartment after the first 30min of operation, or whenever the robot's movement has slowed down noticeably. Then return the robot (with an emptied debris compartment) to the pool, and let it run through the remaining of its cycle.

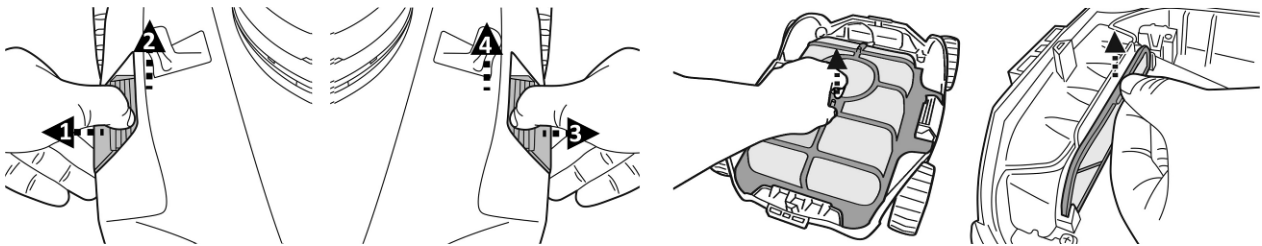
EMPTYING THE DEBRIS COMPARTMENT

WARNING! Using the robot without its filter cover in place will VOID your warranty.

In order to maximize the cleaning efficiency, clean the debris compartment and the filter cover before and after each use.

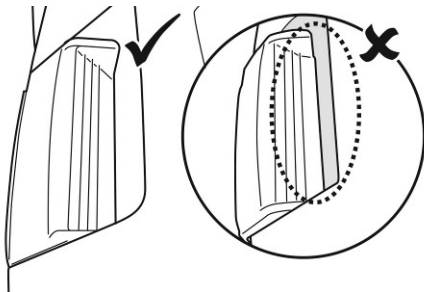
CAUTION! Before cleaning the debris compartment, make sure the robot is OFF.

1. Place the cleaner on a flat surface. Pull one side clip outwards to lift one side of the cover and repeat the steps on the other side to lift the entire top cover to expose the filter cover and filter plate.



2. Detach the filter cover and filter plate and remove the debris from the compartment. It is recommended to clean the filter cover net and draining filter plate with splashing water. If brushing is deemed necessary, use only a soft brush to clean it carefully and gently to avoid damages.

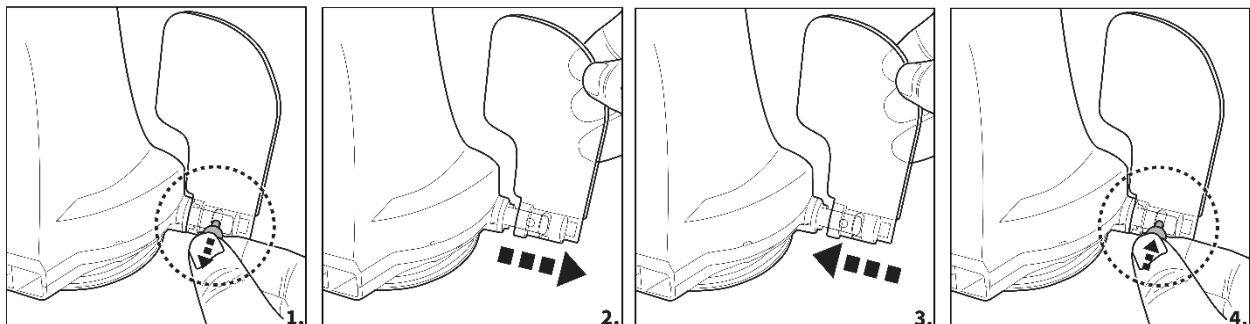
3. After cleaning, make sure that both draining filter plate and filter cover are in place and the body top cover is correctly installed and secured by the side clips.



CAUTION!

- Replace a damaged filter cover immediately with a new one before the next operation.
- Replace a damaged filter plate immediately with a new one before the next operation
- Replace a damaged flap immediately with a new one before the next operation.
-

Flap replacement



MAINTENANCE & STORAGE

NOTE:

1. Be sure to clean and dry the areas around the charging port and water sensors after every use to avoid the forming of stains (byproduct of a natural chemical reaction between electric current and water). Otherwise, the stains can be removed by light scrubbing with a cotton bud soaked with juice of lemon or vinegar.
2. Battery discharges on its own during storage. Make sure to charge the robot to about 30% to 50% of the battery capacity before it is stored.
3. You must recharge the battery at least once every three months when it is not in use.
 - Unplug the external adaptor from the socket and the charging plug from the external adaptor and robot.
 - Detach accessories from the robot. If necessary, rinse the robot and accessories with fresh water. DO NOT use detergent.
 - Be sure to drain the water from the robot before storage.
 - Use a damp cloth to clean and dry the robot and its accessories.
 - Store them in a well-ventilated area away from sunlight, heat, ignition sources, pool chemicals and from children. Ambient temperature for storage should be 10°C – 25°C (50°F – 77°F). NOTE: A higher storage temperature may reduce the battery life.

WARNING!

Under no circumstances should you disassemble the swivel head to replace its internal components by yourself. Doing so would void the warranty, expose yourself to potential hazards, and possibly damage the device and other properties.

CAUTION!

- Excessive heat can damage the battery and reduce the lifespan of your robot as a result.
 - Consult your dealer regarding battery replacement if the following happens:
 - Battery does not charge fully.
 - Battery operation time is noticeably reduced. Observe and record the run times of the first few operations (on a full charge). Use these run times as a reference point for comparison with run times in the future.
 - The battery must be removed from the robot before it is scrapped.
 - The robot must be disconnected from the supply mains when the battery is being removed.
 - The battery is to be disposed safely in accordance with local ordinances or regulations.
- NOTE: Incorrect maintenance may reduce the battery life and affect its capacity as a result.

BATTERY DISPOSAL (To be carried out by an authorized technician)

Your robot is equipped with a maintenance-free rechargeable lithium-ion battery pack, which must be disposed of properly. Recycling is required; please contact your local authority for more information.

WARNING! Never attempt to disassemble a battery pack

- Remove all personal items such as rings, bracelets, necklaces and watches when the battery pack is unwired from the robot.
- A battery can produce a short circuit current high enough to weld a ring (or similar item) to metal, causing a severe burn in the process.
- Wear complete eye protection, gloves and protective clothing when the battery pack is being removed.
- Avoid touching the wires altogether and avoid contact between them and any metal items, which could cause sparking and/or short circuit the battery.
- Never smoke or allow a spark or flame in the vicinity of the battery or the robot.
- Do not expose the battery to fire or intense heat as this may result in an explosion.

CAUTION!

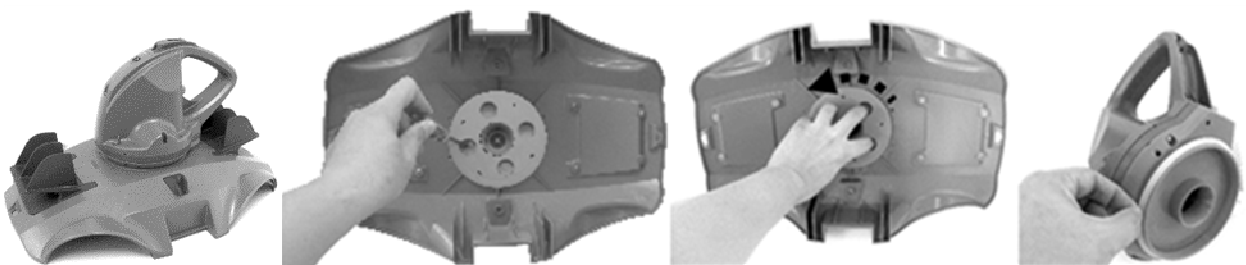
If a battery leak occurs, avoid any contact with the leaking fluids and place the damaged battery in a plastic bag.

- If leaking fluids come in contact with skin and clothing, wash immediately with plenty of soap and water.
- If leaking fluids come in contact with eyes, do not rub eyes, immediately flush eyes with cool running water for at least 15 minutes and do not rub them. Seek medical attention as soon as possible.

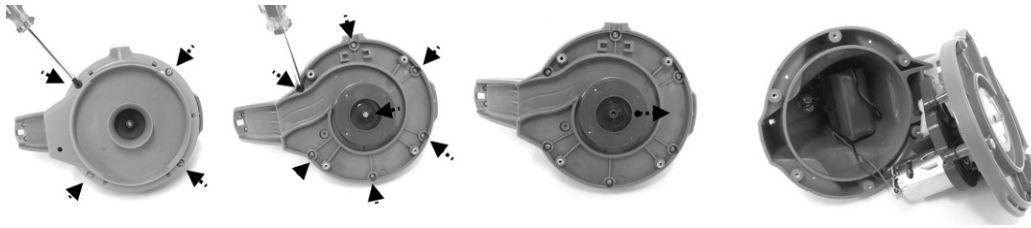
How to remove the battery pack for battery disposal only (To be done by authorized technician)

Recommended tools (not included): Screwdriver.

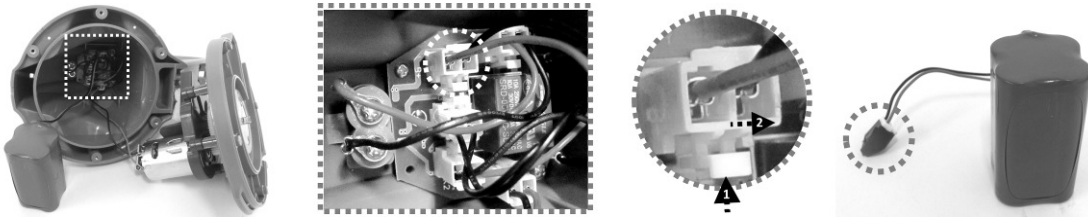
1. Follow section “EMPTYING THE DEBRIS COMPARTMENT” to release the top cover (preassembled with the swivel head). Place the cover upside down and use the screwdriver to unfasten the screw on the bottom locking plate. Turn the bottom locking plate anticlockwise to release the swivel head. Remove the swivel smoothening-ring.



2. Use the screwdriver to unscrew the 4 screws located at the bottom of the head to release the bottom plate first. Then unscrew all the screws at the base as shown. Remove the impeller and pry open the base to expose head inside.



3. Remove out the battery pack to expose the PCBA. To detach the battery connection wire, press on the clip of the connector to pull it out. NOTE: Wrap the connector immediately with insulating tape in order to avoid any short circuit caused by the contact of both wire terminals.



TROUBLESHOOTING

Problem	Possible Cause	Solution
Robot does not start working under water	Stained water sensors	Use a cotton bud soaked with juice of lemon or vinegar to clean and remove the stains.
Robot does not capture the debris	Battery is running out	Charge the robot again.
	Impeller is jammed	Power off the robot and inspect the hole under the swivel head to see if the impeller is jammed by large debris. If necessary, contact your dealer for further instructions. WARNING! Make sure the robot is off before the unit is serviced.
	Suction mouth is clogged	Remove clogged objects from the suction mouth.
	Impeller is broken	Contact your dealer for replacement.
	Debris compartment is full	Clean both debris compartment and filter cover.
Robot stopped moving in the middle of pool but swivel head is still turning	Robot stopped by obstacle or large creases in the pool liner.	Check to see that if there is anything obstructing the cleaner. Remove the obstacle.
	Robot is hindered by suction from the main drain of pool floor	Turn off the filtration system as instructed in manual.
Swivel head rotates repeatedly	Air trapped inside the robot	Submerge the robot while it is still off in the pool and gently shake it a few times to facilitate discharge of air before switching it on (while robot is still submerged). The swivel head may rotate repeatedly for a short while once the robot sinks to the pool bottom. This phenomenon will stop once the air trapped inside the robot is discharged and the robot will begin to move regularly.
Robot does not cover the entire pool	Debris compartment is full	Clean the debris compartment
	Operation time is shorter as expected	Clean the filter compartment and recharge the robot for 6 hrs
	Moving direction is interrupted by water circulation generated by filtration system	Turn off the filtration system (as instructed in filtration manual) at least 15 minutes before robot operation.
	Wheel is jammed	Check and remove debris from the wheel.
	Position of wheel axle is not set properly. Bumper is required	Follow instruction to adjust wheel axle setting and apply bumper.
	Robot moves along the pool wall of round pool	Make sure the bumpers have been installed as instructed in manual.
	Rake / brush is deformed	Lay them under sunlight for a few hours to straighten them. If necessary, replace with a new rake / brush.
	Rake / brush and squeegee are used simultaneously	Remove either squeegee or rake & brush.
Robot moves along the pool wall	Algae renders the pool floor slippery which results in the robot going in circles.	Scrub the pool bottom and robot wheels to remove the algae
	Position of wheel axle is not set properly / bumper is required	Follow instruction to adjust wheel axle setting and apply bumper.
Robot trapped in the narrow ledge of an in-ground pool	Not enough space for robot turning in other direction	Follow instruction to put bumper on both end of robot.
Robot moves slowly or does not move at all.	Debris compartment is full or filter cover is clogged.	Clean the debris compartment. Flush the screen with water to remove small particles. If brushing is deemed necessary, use a soft brush to clean the screen gently. Note: make sure that the filter cover is in place before next operation
	Suction mouth is clogged	Remove clogged objects from the suction mouth
	Rake/ brush is deformed	Lay them under sunlight for a few hours to straighten them. If necessary, replace with a new rake / brush. If the situation persists, use only one rake or brush in operation.
	Rake / brush and squeegee are used simultaneously	Remove either squeegee or rake & brush.
	Impeller is jammed	Power off the robot and inspect the hole under the swivel head to see if the impeller is jammed by large debris. If necessary, contact your dealer for further instructions. WARNING! Make sure the robot is off before the unit is serviced.

Swivel head does not turn or turn noticeably slowly	Side flap does not come up.	Check and remove any debris that hinders the movement of the flap.
	Swivel head bottom is jammed	Detach the swivel head and smoothening-ring in accordance with instructions of section "How to remove the battery pack" from the manual, then: <ul style="list-style-type: none"> - Remove trapped debris - Inspect the smoothening-ring for potential damages and wear and tear. Replace with a new one if necessary - Verify the smooth-ring and bottom plate are installed correctly (refer to below diagrams)
Debris escapes from the robot	Suction mouth's flap (at cleaner bottom) is damaged	Suction mouth's flap works like a door to prevent the debris from escaping from the debris compartment. Contact dealer for replacement parts and instruction.
	Debris clogged at suction mouth and prevents the flap to close.	Remove clogged debris from the suction mouth.
	Draining filter plate is broken or not in place	Make sure the draining filter plate is in place and replace with a new one if necessary before next use.
Debris leaks outside at the filter cover	Filter cover net is damaged	Replace with a new filter cover from your dealer.
Float sinks	Damaged float and water leakage	Replace with a new float from your dealer.
Retrieval cord is kinked	Retrieval cord length is too long	Adjust the length according to instructions in the manual
Duration of cleaning cycle is shorter than advertised	Battery is not fully charged	Charge the robot for at least 6 hrs. NOTE: if any stains are found on the charging pins, remove them by using a cotton bud soaked with lemon juice or vinegar
Robot cannot be charged / recharged	Battery is damaged	Contact dealer for battery replacement. WARNING! DO NOT replace the battery by yourself. This could result in severe or fatal injuries and the warranty will be voided as a result.
	Charging plug is not completely connected with external adaptor and robot.	Make sure that the Charging plug is connected with external adaptor and robot properly and completely. Refer to instruction manual.
	External adaptor is out of order	Contact dealer for replacement. WARNING! Using the wrong external adaptor will result in damaging the robot / battery and voiding the warranty as a result.
Environmental Programmes, WEEE European Directive		
	Please respect the European Union regulations and help to protect the environment. Return non-working electrical equipment to a facility appointed by your municipality that properly recycles electrical and electronic equipment. Do not dispose them in unsorted waste bins. For items containing removable batteries, remove batteries before disposing of the product.	
	© 2020 Kokido Development Ltd. 20009011 All rights reserved. No part of this document may be reproduced or transmitted in any form or by any means, electronic, mechanical, photocopying, recording, or otherwise, without prior written permission of Kokido Development Ltd. (V1)	

If a soft copy of this instruction manual is required, please contact our customer service by email: customerservice@kokido.com

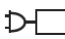
SAVE THESE INSTRUCTIONS

AVERTISSEMENT & INSTRUCTIONS

Les informations contenues dans ce manuel d'instructions vous permettront d'utiliser l'appareil en toute sécurité, à vous protéger ainsi que les autres et à éviter d'endommager l'appareil ou d'autres biens.

CONSERVER CE MANUEL

AVERTISSEMENT!

- Ce produit n'est pas un jouet. Les enfants doivent être gardés hors de portée de ce robot et de ses accessoires.
- Ne jamais laisser les enfants utiliser ce produit.
- Ce dispositif n'est pas destiné à être utilisé par des personnes ayant des capacités physiques, sensorielles ou mentales diminuées, ou un manque d'expérience et de connaissances, sauf si elles sont sous supervision ou ont reçu des instructions concernant l'utilisation sûre de l'appareil par une personne responsable de leur sécurité.
- Les enfants ne doivent pas jouer avec ce produit.
- Le nettoyage et l'entretien du produit ne doit pas être effectués par des enfants.
- Assurez-vous que le robot est complètement immergé dans l'eau avant de commencer l'opération. Le niveau d'eau minimum requis pour faire fonctionner l'appareil doit être au-dessus de la tête rotative du robot. Le produit est uniquement destiné à être utilisé sous l'eau dans une piscine; Toute autre utilisation annulera la garantie.
- Profondeur maximale d'utilisation : 3 mètres (10 ft).
- Température de l'eau pour fonctionnement: 5°C (41°F) – 35°C (95°F)
-  Unité d'alimentation détachable (transformateur).
- Le robot ne doit être rechargé qu'avec l'adaptateur externe et la prise de charge fournis avec ce produit.
- À l'effet de recharger la batterie, utiliser seulement l'unité d'alimentation amovible (modèle adaptateur externe: DSS18-0842000-B / DSS18-0842000-C / DSS18-0842000-D / LX084200) qui est fourni avec cet robot pour charger la batterie.
- Connecter le transformateur à une source d'alimentation par l'intermédiaire d'un dispositif différentiel à courant résiduel (DDR) ou d'un disjoncteur de fuite à la terre (GFCI). En cas de doute, consultez un électricien professionnel qualifié.
- Ne pas utiliser cet robot si des dommages sont détectés.
- Remplacer les pièces endommagées avec des pièces certifiées par le distributeur ou le fabricant.
- Mettre l'appareil hors tension, débranchez l'adaptateur externe de la source d'alimentation et de la prise de charge, avant de détacher le robot de la prise de charge.
- Assurez-vous que le robot soit éteint et débranchez du secteur avant d'effectuer un quelconque entretien – par exemple : nettoyage du filtre,

de l'anneau de lissage pivotant, des zones autour des capteurs d'eau et du port de charge.

- Ne remplacez pas la batterie rechargeable Li-ion pré-installée.
 - NE manipulez PAS le robot, l'adaptateur externe et la prise de charge pendant la charge avec des membres mouillés et sans chaussures.
 - Vous ne devez pas utiliser ce robot lorsque des personnes et / ou des animaux domestiques sont présents dans l'eau.
 - NE PAS utiliser ce robot sans un filtre en bon état, la garantie serait annulée.
 - Risque d'entrave par aspiration: ce robot génère de l'aspiration. Ne pas laisser les cheveux, le corps et les parties flottantes de vos vêtements dans la plage d'aspiration du produit pendant son fonctionnement.
 - Ne jamais introduire une partie du corps, vêtements et autres objets dans les ouvertures ou les parties mobiles du robot.
 - NE PAS utiliser ce robot pour ramasser des substances toxiques, inflammables ou liquide combustibles (comme de l'essence), ni en présence de vapeurs explosives ou inflammables.
 - Vous ne devez en aucun cas démonter la tête pivotante pour remplacer vous-même ses composantes. Si vous le faites, la garantie sera annulée, vous vous exposez à des risques potentiels et à la possibilité d'endommager le dispositif et d'autres éléments.
 - Ne jamais insérer les doigts ou quelconque objet dans la turbine.
 - La batterie intégrée doit être retirée par un technicien qualifié avant d'être mise au rebut.
 - Ce robot contient une batterie qui ne peut être retirée que par des personnes qualifiées.
 - Le robot doit être déconnecté du réseau d'alimentation lors du retrait de la batterie.
 - Pour plus de détails sur la mise en rebut la batterie veuillez vous reporter à la section "Mise au rebut de la batterie" de ce manuel et contactez les autorités locales pour plus d'informations.
 - La batterie doit être détruite en toute sécurité conformément aux réglementations locales.
-
- Transformateur et la prise de charge:
 - N'utilisez pas l'adaptateur externe et la prise de charge pour autre chose que la charge de la batterie du robot fournie.
 - L'adaptateur externe et la prise de charge ne doivent pas être utilisés à l'extérieur, ni exposés à la pluie, à l'humidité et à tout liquide ou chaleur.
 - Le transformateur (ou le transformateur) doit être situé à l'extérieur de la zone 1
 - Garder le transformateur et la prise de charge hors de portée des enfants.
 - Ne jamais utiliser le transformateur ou la prise de charge s'ils sont endommagés.

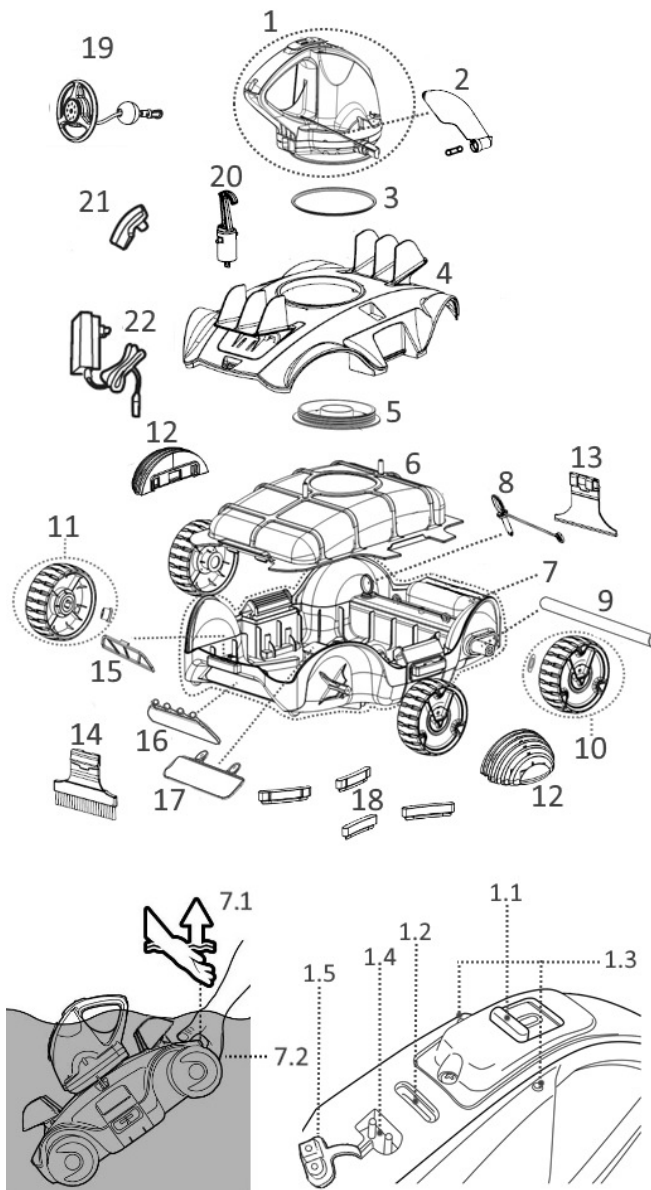
- NE PAS manipuler le transformateur ou la prise de charge avec les mains humides.
- Conserver le transformateur hors tension lorsqu'il n'est pas en usage.
- Ne jamais essayer d'ouvrir le transformateur.
- Si le cordon d'alimentation de l'adaptateur externe est endommagé, cet adaptateur externe doit être remplacé par le fabricant ou son agent de service pour empêcher des dangers de toute nature.
- S'assurer que le robot est complètement sec avant de le recharger.

MISE EN GARDE!

- Ce robot est conçu pour une utilisation sous l'eau uniquement; ce n'est pas un aspirateur tout usage. NE PAS essayer d'utiliser l'aspirateur électrique pour nettoyer autre chose que votre piscine.
- N'utilisez que des accessoires d'origine fournis avec ce produit.
- NE PAS utiliser ce robot juste après la mise en service de la piscine. Il est recommandé de laisser d'abord la piscine fonctionner pendant au moins 24 à 48 heures.
- Pour les piscines d'eau salée, s'assurer que tout le sel est dissous avant de placer le robot dans l'eau.
- Ne pas utiliser cet aspirateur électrique avec un autre aspirateur / nettoyeur électrique simultanément.
- Éviter de ramasser des objets durs et tranchants avec ce produit. Cela peut endommager le robot et le filtre.
- Pour éviter d'endommager l'adaptateur externe et la prise de charge, ne portez pas le robot par le cordon de l'adaptateur externe / prise de charge, et ne tirez pas sur le cordon pour le déconnecter de la source d'alimentation et la prise de charge.
- Charger le robot à l'intérieur, dans un endroit propre et sec, avec une bonne ventilation et à l'abri du soleil.
- NE PAS laisser l'aspirateur électrique branché sur le secteur pendant plus de 10 heures.
- Si le robot n'est pas utilisé pendant une période prolongée, s'assurer que la prise de charge est débranché et utiliser un chiffon humide pour le nettoyer puis le sécher, faire de même pour les accessoires. S'assurer de recharger l'aspirateur électrique à 30%- 50% avant de le stocker. L'entreposer dans un endroit bien ventilé, à l'abri de la lumière du soleil, de la chaleur, des sources d'ignitions, des produits chimiques de la piscine et des enfants. Recharger l'aspirateur électrique tous les trois mois.
- Toute intervention qui demande l'ouverture de la tête pivotante (i.e.: recyclage de la batterie) doit être effectuée uniquement par le personnel habilité.

Les avertissements et mises en garde ci-dessus ne sont pas destinés à lister tous les cas possibles de risques et / ou de blessures graves. Les Propriétaires de piscine doivent toujours faire preuve de prudence et de bon sens lors de l'utilisation du produit.

FONCTIONNEMENT DU ROBOT



Numéro de pièce
détachée

1.	Tête pivotante (avec Volet lateral)	Inclus le flotteur, la bague de lissage pivotante, le capuchon de protection et la plaque à vis inférieure: RC30ASM07 RC30ASM07/US (USA)
1.1.	Interrupteur coulissant	-----
1.2.	Voyant d'utilisation	-----
1.3.	Capteurs d'eau	-----
1.4.	Port d'alimentation	-----
1.5.	Protection (pour port de charge)	-----
2.	Volet latéral (à broche)	RC26-07
3.	Anneau de lissage pivotant	RC30-08-004
4.	Capot	RC32ASM03
5.	Plaque pivotante	RC30-05-005
6.	Couvercle filtrant	RC30-09
7.	Base	RC32ASM04 RC32ASM04/US (USA)
7.1.	Indicateur de prise	-----
7.2.	Poignée (en dessous de la base du robot)	-----
8.	Goupille de verrouillage	RC30-10-014
9.	Essieu de roue	
10.	Roue arrière (avec rondelle)	RC30ASM08
11.	Roue avant (avec rondelle)	RC30-12
12.	Pare-chocs x 2	RC30-18
13.	Raclette	RC32ASM10
14.	Brosse	
15.	Plaque filtrante du drain	
16.	Trappe de vidange	RC30ASM09
17.	Rabat de la bouche d'aspiration	
18.	Nervures de capture x 4	RC30-10-012
19.	Flotteur	RC35-13
20.	Crochet (avec système V-clip) pour manche télescopique	RC30-16
21.	Prise de charge	RC26-17
22.	Transformateur	RC30-17-002 (EU) RC30-17-002/US (USA) RC30-17-002/AU (Australie/Nouvelle-Zélande)

Ce robot inclus une buse de d'évacuation de l'eau située en bas de la tête pivotante. L'eau est d'abord happée par la bouche d'aspiration située en dessous du robot, passe à travers le filtre puis est rejetée par la buse d'évacuation. Le jet d'eau de la buse propulse le robot vers l'avant. Une fois que le robot s'arrête contre un obstacle, comme la paroi de la piscine, son volet latéral et sa tête pivotante tournent de 180 degrés. Le robot se dirige alors dans la direction opposée. Le robot se déplace en ligne droite dans une direction, puis courbe sa trajectoire dans le sens inverse. Tout en se déplaçant, le robot aspire le fond de la piscine capturant ainsi les débris à l'intérieur du compartiment prévu à cet effet.

POUR COMMENCER

Chargement de la batterie

REMARQUE IMPORTANTE: Charger complètement le robot (environ 6 heures) avant la première utilisation.

AVERTISSEMENT!

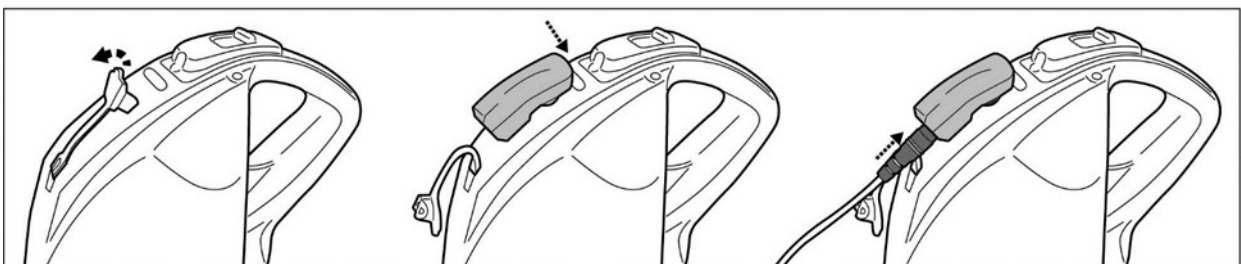
- Utiliser uniquement le transformateur et la prise de charge fournis.
- Assurez-vous que le robot et le port de charge soient propres et secs avant la charge. (CONSEILS: retirer la protection du port de charge et utilisez un coton-tige pour le sécher ainsi que les broches de charge)
- Les broches de chargement sont étanches. Cependant, l'eau stagnante dans le port et autour des broches pourraient entraîner l'apparition naturelle de taches (un sous-produit de la réaction chimique entre l'eau et les courants électriques). Les taches peuvent être éliminées en frottant légèrement avec un coton-tige imbibé de jus de citron ou de vinaigre.
- S'assurer que le robot est éteint en mettant l'interrupteur sur position OFF avant la mise en charge.

1. Placer l'appareil sur une surface plane. Mettre l'interrupteur en position OFF.

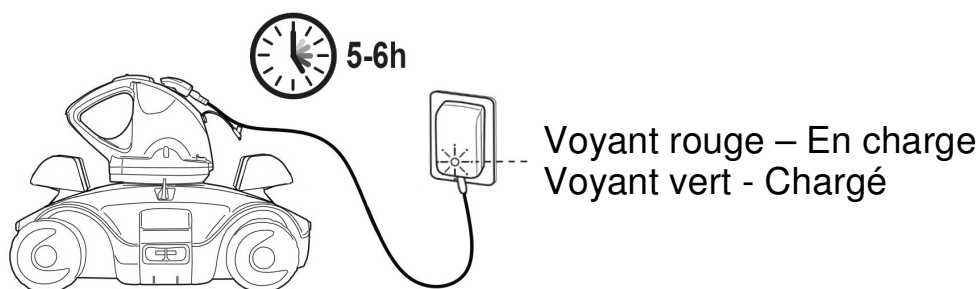


2. Soulevez la protection. Alignez et fixez la prise de charge au port de charge

ATTENTION! Veillez à ne pas inverser la prise de charge et assurez-vous que la prise de charge et le port de charge soient propres et secs avant de les utiliser. CONSEILS: Utilisez un coton-tige pour sécher le port de chargement et les broches. Branchez le câble de charge de l'adaptateur externe dans la prise de charge.



3. Connecter le transformateur à la source d'alimentation. Le voyant de l'adaptateur externe devient rouge une fois que la charge commence. Le voyant de l'adaptateur externe devient vert lorsque le robot est chargé.



- Déconnecter immédiatement le transformateur de la source d'alimentation en cas de:
 - Odeur forte ou inhabituelle
 - Chaleur excessive
 - Déformation, fissure ou fuite
 - Fumée
4. Lorsque la charge est terminée, déconnecter l'transformateur de la source d'alimentation et débrancher la prise de charge du transformateur.

A pleine charge et en condition d'utilisation normale, l'aspirateur électrique peut fonctionner jusqu'à 90 minutes.

REMARQUES: Nettoyez régulièrement le compartiment à débris. Des débris excessifs à l'intérieur de ce dernier augmentent l'effort de fonctionnement du moteur et raccourcissent ainsi la durée de fonctionnement.

REMARQUES: La batterie rechargeable au lithium-ion est classée comme consommable. Elle a une durée de vie limitée et perdra graduellement sa capacité de tenir la charge. Par conséquent, le temps de fonctionnement du robot diminue progressivement après rechargement et déchargement répétés tout au long de sa durée de vie.

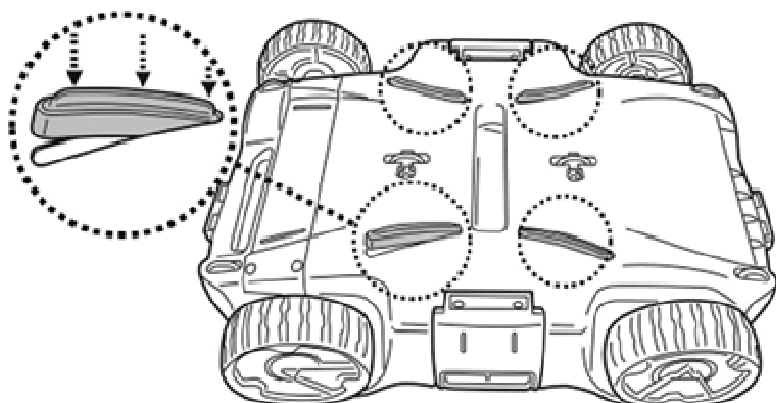
Une fois que la durée de vie de la batterie arrive à sa fin, consulter la section « MISE AU REBUT BATTERIES » pour connaître les instructions relatives à la mise au rebut de la batterie et au remplacement de la tête pivotante.

REMARQUE: Laissez le robot reposer pendant 30 à 40 minutes avant de le recharger.

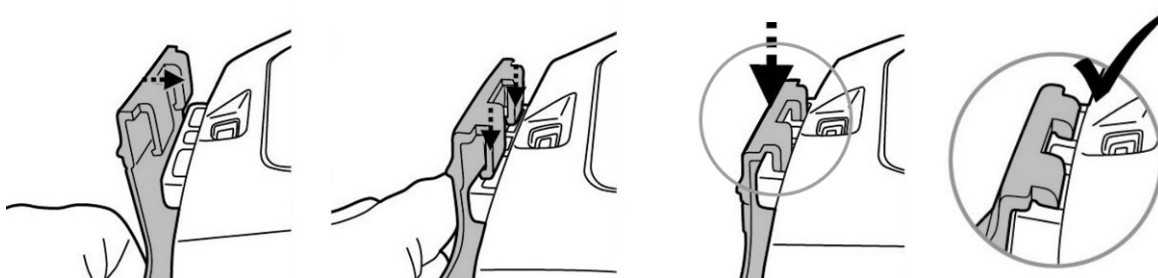
Assemblage avant utilisation

Installation des nervures de capture

Aligner et insérer chaque nervure de capture dans les encoches situées en dessous du robot.



Assemblage du raclette et de la brosse



ASTUCE: Appuyer sur les deux extrémités du crochet pour retirer le raclette ou la brosse



REMARQUE IMPORTANTE:

1. Retirer la raclette et la brosse après utilisation. Ceci afin d'éviter une déformation due à un contact constant avec le sol, ce qui pourrait perturber les mouvements du robot.
2. Il est déconseillé d'utiliser la raclette et la brosse en même temps que les nervures de capture car cela pourrait ralentir et interrompre le mouvement du robot.

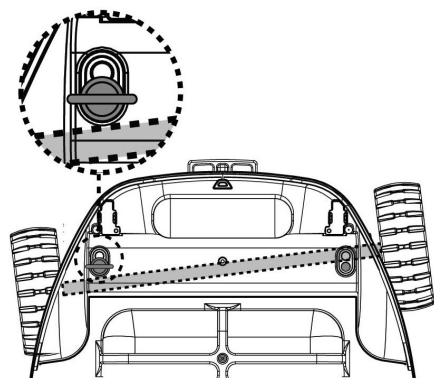
Ajustement de la trajectoire

Goupille de verrouillage

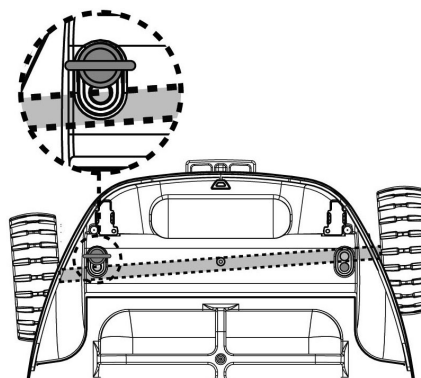
La trajectoire du robot dépend de la position de la goupille qui fixe l'axe à un certain angle. Il y a deux goupilles de verrouillage: celle de droite est fixe et ne doit pas bouger. Modifier uniquement la position de la broche de gauche.

Réglages recommandés:

Pour les piscines dont la longueur la plus courte est de 3 mètres ou moins. (Réglage d'usine)



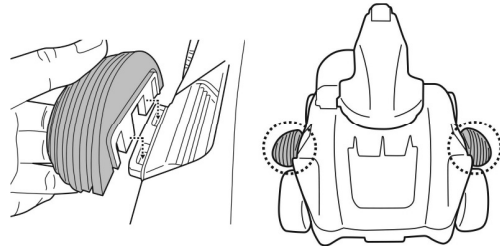
Pour les piscines dont la longueur la plus courte est de 3 mètres ou plus



Pare-chocs

Le pare-chocs est facultatif et sera utilisé dans les situations suivantes:

Si le robot a tendance à suivre le périmètre d'une piscine ronde, clipser un pare-chocs de chaque côté du robot permettra de remédier à ce comportement.



Préparation de la piscine

- S'il y a des cailloux, des racines ou de déchets métalliques sur le liner, les retirer avant utilisation du robot. Si nécessaire, demander l'aide d'un professionnel qualifié.
- Si le liner est friable, endommagé ou froissé, contacter un professionnel qualifié pour effectuer les réparations nécessaires ou effectuer un remplacement du liner avant utilisation du robot.
- Retirer l'échelle, le skimmer de surface et autres objets flottants de la piscine, cela peut gêner le mouvement du flotteur et, par conséquent, le mouvement du robot.
- Pour les piscines d'eau salée, s'assurer que tout le sel est dissous avant de placer le robot dans l'eau.

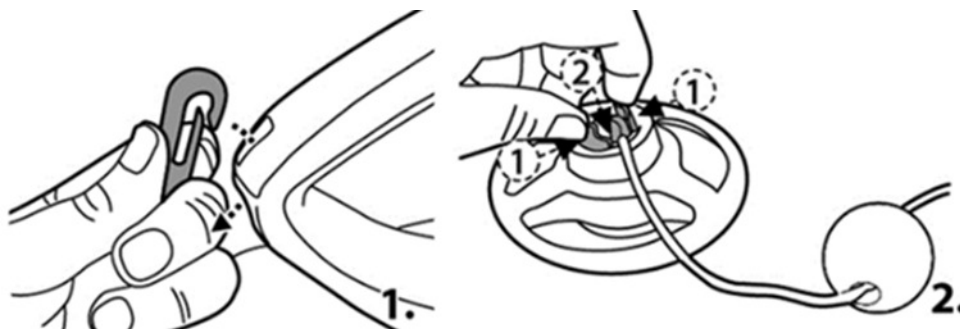
NOTE IMPORTANTE : Éteindre le système de filtration (selon les instructions de votre manuel de filtration) au moins 15 minutes avant le déploiement du robot.

FONCTIONNEMENT

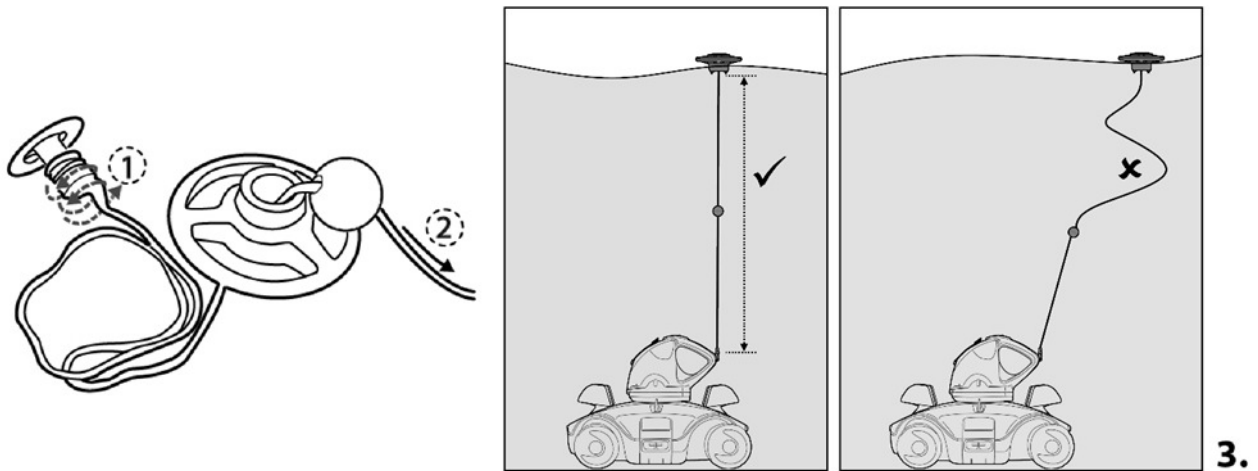
AVERTISSEMENT!

- S'assurer d'éteindre le robot avant de commencer.
- Assurez-vous que la prise de charge est débranché et que la protection du port de charge soit mise avant l'utilisation du robot.

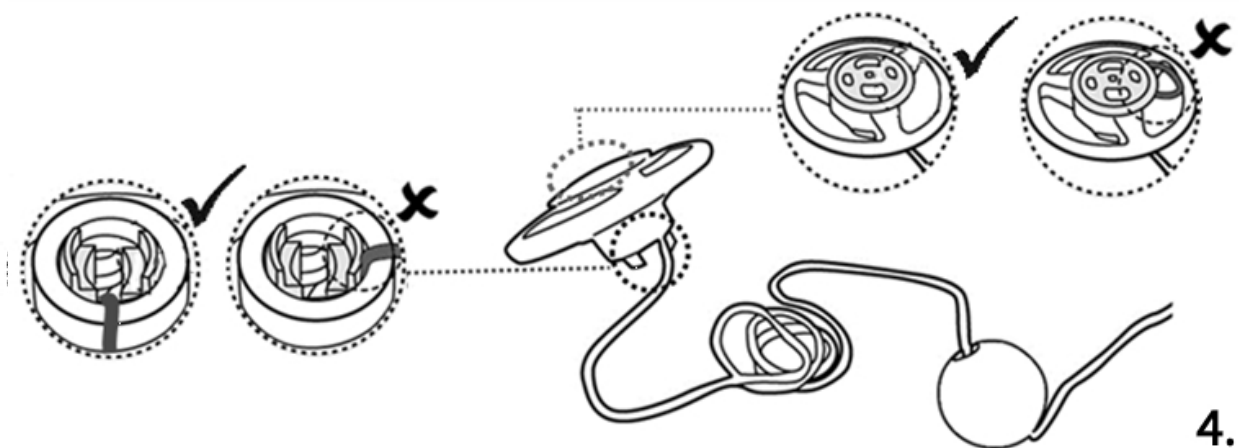
1. Amenez le robot sur le côté de votre piscine. NOTE : Déployez uniquement le robot à partir du côté de la piscine (non pas le coin de la piscine) et assurez-vous qu'il est orienté vers l'extérieur pendant que vous le faites. Fixer le crochet du flotteur à la poignée de la tête du pivot. Appuyer sur la barrette pour expulser la tige du flotteur.



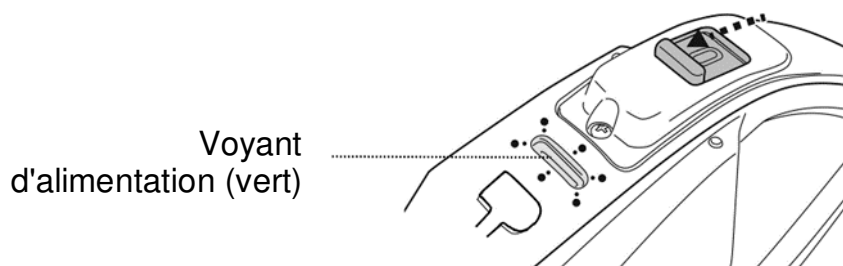
Relâcher le cordon de récupération de la tige à une longueur équivalente à la distance entre la poignée du robot et le niveau de l'eau. NOTE: Une longueur excessive peut tordre la corde et, en conséquence, affecter le résultat.



Une fois que la longueur souhaitée a été obtenue, la maintenir en tenant la corde sur la tige et la fixer à nouveau au flotteur en appuyant sur la barrette latérale comme montré.



2. Plongez le robot éteint dans la piscine et secouez-le doucement plusieurs fois pour faciliter l'évacuation de l'air. Un excès d'air emprisonné dans le corps peut entraîner un comportement erratique de la tête pivotante (c'est-à-dire tourner plusieurs fois dans la piscine pendant quelques minutes)



3. Mettez l'interrupteur d'alimentation sur la position « ON » (lorsque le robot est immergé) - le voyant s'allume et active automatiquement le moteur (capteurs en haut de la tête pivotante submergée). Laissez le robot s'enfoncer au fond de la piscine et observez ses premiers mouvements vers l'avant et arrière à travers le fond de la piscine. S'il court le

long de la paroi au lieu de perpendiculairement, récupérez-le et redéployez-le tout en vous assurant que son avant / arrière fait face à la paroi de la piscine.

Le voyant d'utilisation commence à clignoter lorsque l'autonomie est réduite à 10 minutes.

Voyant d'utilisation:

Pas de lumière - Hors tension / pas d'alimentation

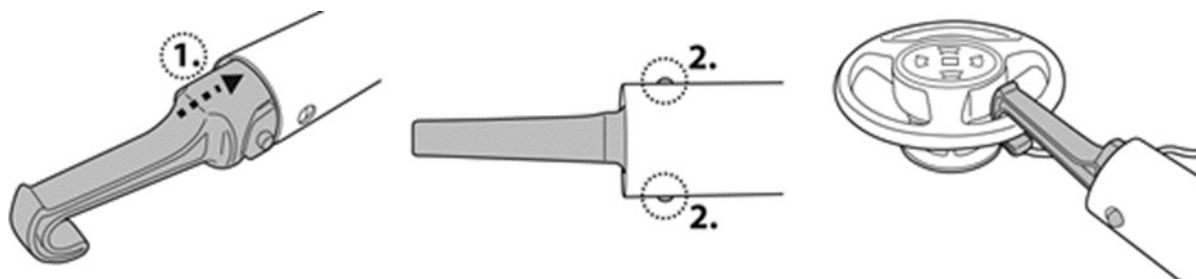
Lumière - Sous tension

Voyant clignotant - La batterie sera épuisée dans les 10 minutes.

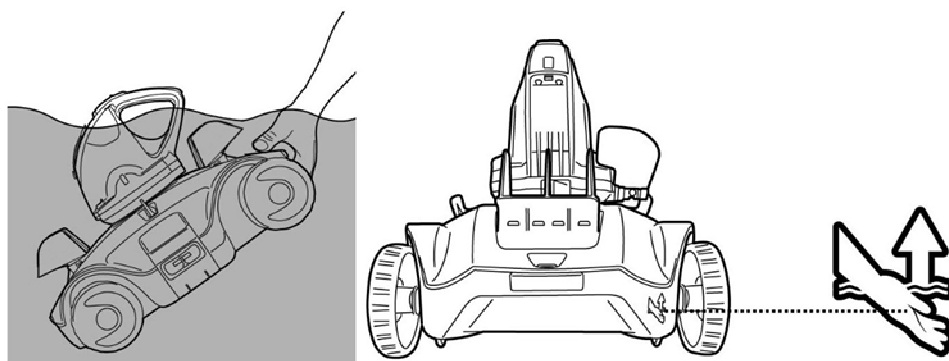
REMARQUE:

- Ne pas volontairement créer de contact physique avec les capteurs d'eau.

4. Pour retirer le robot de la piscine, attacher le crochet à un manche télescopique (non fourni) et l'utiliser pour récupérer le flotteur, sauf s'il est à porté de main.



Lorsque le robot atteint la surface de l'eau, vous trouverez la poignée qui se trouve sous la base grâce au symbole du schéma ci-dessous. Assurez-vous de toujours saisir le robot de cette extrémité afin d'éviter que les débris ne retombent dans la piscine



5. Positionner l'interrupteur sur la position OFF. Rincer le robot avec de l'eau fraîche après chaque utilisation. Ne PAS utiliser de détergent.
6. Séchez complètement le port de charge et les broches (CONSEILS: Vous pouvez utiliser un coton-tige pour les sécher).

REMARQUE: Dans le cas d'une piscine très sale, il est recommandé, pour assurer un nettoyage efficace, de vider le compartiment à débris après les 30 premières minutes de fonctionnement ou quand le mouvement du robot ralenti sensiblement. Replacer ensuite le robot (compartiment à débris vidé) dans la piscine et le laisser finir le reste de son cycle.

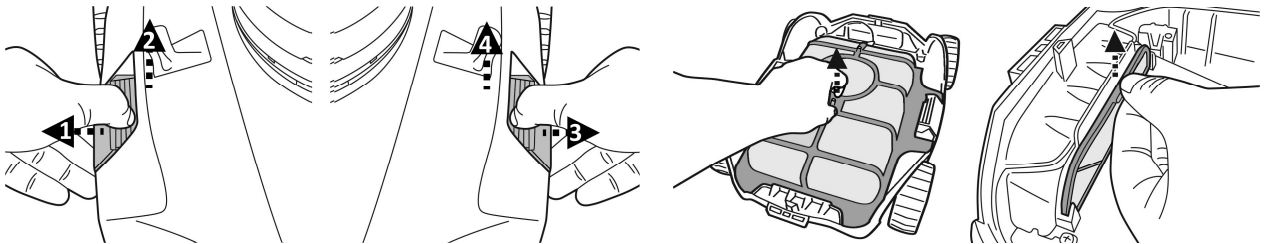
VIDER LE COMPARTIMENT A DEBRIS

AVERTISSEMENT! L'utilisation du robot sans son filtre annule la garantie.

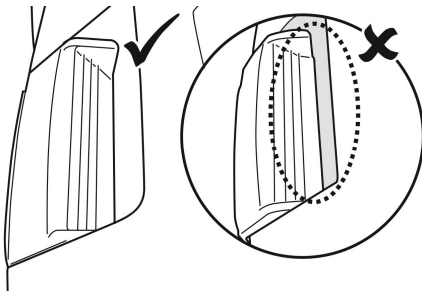
Afin de maximiser l'efficacité du nettoyage, nettoyer le compartiment à débris et le filtre avant et après chaque utilisation.

MISE EN GARDE! Avant de nettoyer le compartiment à débris, s'assurer que le robot est éteint.

1. Placer le nettoyeur sur une surface plane. Tirer un clip latéral vers l'extérieur pour soulever un côté du capot puis faire de même de l'autre côté pour soulever tout le capot supérieur afin d'exposer le couvercle filtrant ainsi que la plaque filtrante.



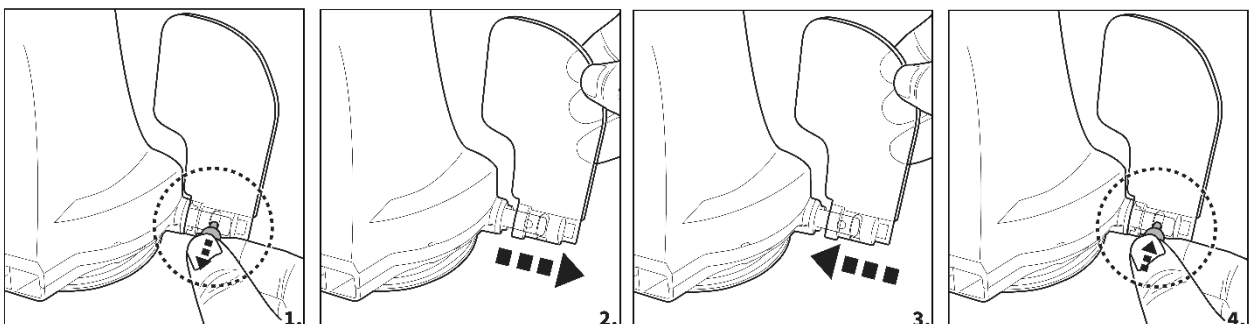
2. Retirer le couvercle filtrant ainsi que la plaque filtrante, puis nettoyer le compartiment à débris. Il est recommandé de nettoyer le couvercle filtrant et la plaque filtrante à l'aide d'un jet d'eau. Si un brossage est jugé nécessaire, utiliser seulement une brosse douce pour nettoyer soigneusement et délicatement. N'appliquer aucune pression sur le filtre.
3. Après le nettoyage, s'assurer que la plaque de filtrage et le couvercle filtrant sont en place, et que le capot est fixé par les clips latéraux. Les clips latéraux doivent être complètement engagés sur le robot en les poussant vers l'intérieur.



MISE EN GARDE!

- Remplacer un couvercle filtrant endommagé par un neuf avant utilisation.
- Remplacer un plaque filtrante endommagé par un neuf avant utilisation.
- Remplacer un volet latéral endommagé par un neuf avant utilisation.

Remplacement du volet latéral



ENTRETIEN & STOCKAGE

REMARQUE:

1. Assurez-vous de nettoyer et de sécher les zones autour du port de charge et des capteurs d'eau après chaque utilisation pour éviter la formation de taches (sous-produit d'une réaction chimique naturelle entre le courant électrique et l'eau). Les taches peuvent être éliminées grâce à un coton-tige imbibé de jus de citron ou de vinaigre.
2. La batterie se décharge toute seule pendant le stockage. S'assurer de recharger l'robot à 30%- 50% avant de le stocker.
3. Recharger la batterie au minimum une fois tous les trois mois lorsqu'elle n'est pas fréquemment utilisée.
 - Débrancher le transformateur de la prise, puis débrancher la prise de charge du transformateur et du robot.
 - Retirer les accessoires du robot. Si nécessaire, rincer le robot et les accessoires avec de l'eau fraîche. Ne PAS utiliser de détergent.
 - Veiller à vider l'eau du robot avant de l'entreposer.
 - Utiliser un chiffon humide pour nettoyer le robot et ses accessoires, puis sécher.
 - A stocker dans un endroit bien ventilé, à l'écart des rayons du soleil, de la chaleur, des sources d'ignitions, des produits chimiques et des enfants. La température ambiante de stockage doit être comprise entre 10°C et 25°C (50°F - 77°F).
REMARQUE: Une température de stockage plus élevée peut réduire la durée de vide de la batterie.

AVERTISSEMENT!

Vous ne devez en aucun cas démonter la tête pivotante pour remplacer vous-même ses composantes. Si vous le faites, la garantie sera annulée, vous vous exposez à des risques potentiels et à la possibilité d'endommager le dispositif et d'autres éléments..

MISE EN GARDE!

- Une chaleur excessive peut endommager la batterie et réduire la durée de vie du robot.
- Consulter un revendeur concernant le remplacement de la batterie dans les cas suivants:
 - La batterie ne se charge pas complètement.
 - La durée d'utilisation est sensiblement réduite. Observer et enregistrer les temps d'exécution des premières utilisations (sur une pleine charge). Utiliser ces temps d'exécution comme point de référence pour comparaison avec les temps d'exécution futurs..
- La batterie doit être retirée du robot avant de le mettre au rebut.
- Le robot doit être déconnecté du réseau d'alimentation lors du retrait de la batterie.
- La batterie doit être recyclée conformément aux réglementations locales.

REMARQUE: Une maintenance incorrecte peut réduire la durée de vie de la batterie et ainsi affecter son usage.

MISE AU REBUT DE LA BATTERIE (Ceci doit être réalisé par un technicien autorisé)

La batterie du robot est une batterie rechargeable au lithium-ion qui ne nécessite pas d'entretien et qui doit être recyclé correctement. Le recyclage est nécessaire; contacter les autorités locales pour plus d'informations.

AVERTISSEMENT ! Ne jamais essayer de démonter la batterie.

- Retirer tous objets personnels tels que bagues, bracelets, colliers et montres avant de retirer la batterie du robot.
- La batterie peut produire une charge électrique suffisamment élevée pour fondre une bague (ou un objet similaire) en métal, provoquant de graves brûlures.
- Porter des lunettes de protection, des gants et des vêtements adaptés avant de retirer la batterie.
- Éviter de toucher les câbles électriques et éviter de les laisser entrer en contact avec des objets métalliques, ce qui pourrait provoquer des étincelles et / ou court-circuiter la batterie.
- Ne jamais fumer, laisser une étincelle ou une flamme à proximité de la batterie ou du robot.
- Ne pas exposer pas la batterie au feu ou à une chaleur intense car cela pourrait provoquer une explosion.

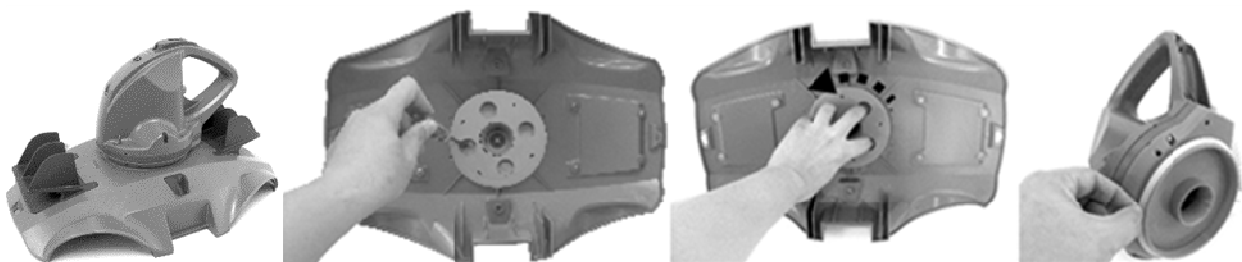
MISE EN GARDE!

En cas de fuite de la batterie, éviter tout contact avec les fluides qui fuient et placer la batterie endommagée dans un sac en plastique.

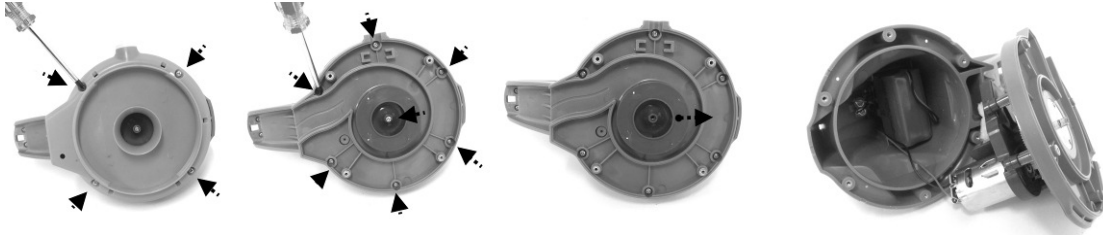
- En cas de contact avec la peau et les vêtements des liquides de la batterie, laver immédiatement et abondamment avec de l'eau et du savon.
- En cas de contact avec les yeux des liquides de la batterie, ne pas frotter les yeux, rincer immédiatement les yeux avec de l'eau froide pendant au moins 15 minutes.
- Consulter un médecin dès que possible.

Comment retirer le bloc de batteries uniquement à des fins de recyclage de la batterie (Ceci doit être réalisé par un technicien autorisé)

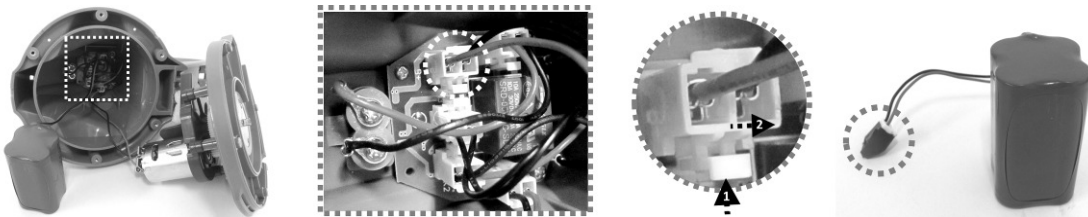
1. Suivre la section "VIDER LE COMPARTIMENT A DEBRIS" pour libérer le capot (préassemblé avec la tête pivotante). Placez le couvercle à l'envers et utilisez un tournevis pour desserrer la vis sur la plaque de verrouillage inférieure. Tournez la plaque de verrouillage inférieure dans le sens contraire des aiguilles d'une montre afin de la dévisser. Retirez la bague de lissage pivotante.



2. Utiliser le tournevis pour dévisser les 4 vis situées en dessous de la tête pivotante pour retirer la plaque inférieure. Utiliser le tournevis pour dévisser toutes les vis de la base comme indiqué. Retirer la turbine, puis soulever la base et la retirer pour exposer la partie intérieure.

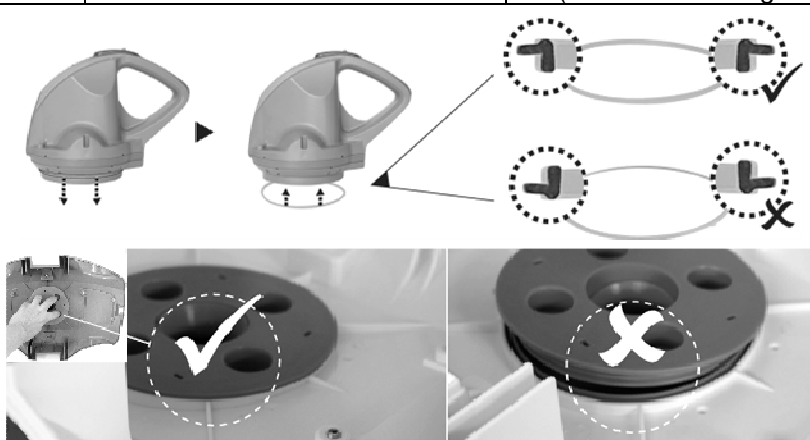


3. Sortir la batterie pour exposer la PCBA. Pour détacher le fil de connexion de la batterie, appuyer sur le clip du connecteur, puis le retirer. **REMARQUE:** Envelopper le connecteur immédiatement avec du ruban isolant afin d'éviter les court-circuits causés par le contact des deux bornes.



DEPANNAGE

Problème	Cause possible	Solution
Le robot ne fonctionne pas lorsqu'il est immergé dans l'eau	Capteurs d'eau tachés	Utilisez un coton-tige imbibé de jus de citron ou de vinaigre pour nettoyer les taches.
Le robot ne capture pas les débris	La batterie est épuisée	Recharger le robot.
	La turbine est bouchée	Éteindre le robot et vérifier visuellement le trou sous la tête pivotante pour voir si la turbine est bouchée par de gros débris. Si nécessaire, contacter votre revendeur pour plus d'instructions. AVERTISSEMENT! S'assurer que le robot est éteint avant que l'unité ne soit entretenue.
	La bouche d'aspiration est bouchée	Enlever les objets qui encombrant la bouche d'aspiration.
	La turbine est cassée	Contactez votre revendeur pour un remplacement.
Le robot s'arrête au milieu de la piscine mais la tête pivotante continue sa rotation.	Le robot est arrêté par un obstacle ou de gros plis dans le liner de la piscine.	Vérifier ce qui obstrue le nettoyeur. Retirer l'obstacle.
	Le robot est gêné par l'aspiration principal du fond de la piscine	Eteindre le système de filtration comme indiqué dans la notice.
La tête pivotante tourne à 360° à plusieurs reprises	L'air est attrapé à l'intérieur du robot	Immergez le robot éteint dans la piscine et secouez-le doucement plusieurs fois pour faciliter la décharge d'air avant de le mettre en marche (le mettre en marche immergé dans l'eau). La tête pivotante peut tourner à plusieurs reprises pendant un court moment une fois que le robot s'enfonce au fond de la piscine. Ce phénomène s'arrêtera une fois que l'air emprisonné à l'intérieur du robot sera évacué alors le robot commencera à se déplacer normalement.
Le robot ne couvre pas toute la surface de piscine	Le compartiment à débris est plein	Nettoyer le compartiment à débris.
	Le temps de fonctionnement est plus court que prévu	Nettoyer le compartiment à débris et le filtre, puis recharger le robot pendant 6 heures
	Le mouvement du robot est perturbé par la circulation de l'eau générée par le système de filtration	Eteindre le système de filtration (comme indiqué dans le manuel de filtration) au moins 15 minutes avant le fonctionnement du robot.
	Les roues sont bloquées	Vérifier et nettoyer les débris présent au niveau des roues.
	La position de l'essieu n'est pas réglée correctement / les pare-chocs sont requis	Suivre les instructions pour ajuster le réglage de l'essieu et installer les pare-chocs.
	Le robot déplace le long du mur d'une piscine ronde	S'assurer que les pare-chocs ont été installés comme indiqué dans le manuel.
	La raclette / la brosse est déformée	La placer sous le soleil pendant quelques heures pour la redresser. Si nécessaire, la remplacer par une nouvelle raclette / brosse.
	Raclette / brosse et nervures de capture sont utilisées simultanément	Enlever soit les nervures de capture soit la raclette et la brosse
Les algues rendent le sol de la piscine glissant ce qui provoque	Nettoyer le fond de la piscine et les roues du robot pour retirer les algues	

	que le robot avance en faisant des cercles.	
Le robot se déplace le long du mur de la piscine	La position de l'essieu n'est pas réglée correctement / les pare-chocs sont requis	Suivez les instructions pour ajuster le réglage de l'essieu et installer les pare-chocs.
Robot piégé dans un coin étroit d'une piscine enterrée	Pas assez d'espace pour que le robot tourne dans une autre direction	Suivre les instructions pour installer les pare-chocs aux deux extrémités du robot.
Le robot se déplace lentement ou ne bouge pas du tout.	Le compartiment à débris est plein ou bien le couvercle du filtre est bouché	Nettoyer le compartiment à débris. Rincer le tamis à l'eau pour retirer les petites particules. Si une brosse est considérée nécessaire, utiliser une brosse douce pour nettoyer le tamis avec délicatesse. Note : s'assurer que le couvercle du filtre est à sa place avant l'opération suivante
	La bouche d'aspiration est bouchée	Enlever les objets qui encombrant la bouche d'aspiration.
	La raclette / la brosse est déformée	La placer sous le soleil pendant quelques heures pour la redresser. Si nécessaire, la remplacer par une nouvelle raclette / brosse.
	Raclette / brosse et nervures de capture sont utilisées simultanément	Enlever soit les nervures de capture soit la raclette et la brosse
	La turbine est bloquée.	Éteindre le robot puis inspecter le trou sous la tête pivotante pour voir si la turbine est bloquée par de gros débris. Si nécessaire, contacter votre revendeur pour plus d'instructions. ATTENTION! S'assurer que le robot est éteint avant que l'unité ne soit entretenue.
La tête pivotante ne tourne pas ou à une rotation anormalement lente	Le volet latéral ne se soulève pas.	Vérifier et retirer tous les débris qui gênent le mouvement du volet latéral.
	Le fond de la tête pivotante est coincé	Libérer la tête pivotante et l'anneau de lissage conformément aux instructions de la section « Comment retirer le bloc de batteries » du manuel, ensuite : - Retirer les débris coincés - Inspecter l'anneau de lissage pour détecter des dommages potentiels et l'usure. Le remplacer par un nouveau si nécessaire - Vérifier que l'anneau de lissage et la plaque de fond sont installés correctement (consulter les diagrammes ci-après)
		
Des débris s'échappent du robot	Le rabat de la bouche d'aspiration (en dessous du	Le clapet de la bouche d'aspiration agit comme une porte pour empêcher les débris de s'échapper du compartiment à débris.

	robot) est endommagé	Contactez votre revendeur pour les pièces de rechanges et les instructions.
	Des débris sont obstrués au niveau la bouche d'aspiration et empêchent la fermeture du volet.	Retirer les débris obstrués de la bouche d'aspiration.
	La plaque filtrante du drain est cassée ou non installée	S'assurer que la plaque filtrante du drain est en place et la remplacer par une neuve si nécessaire avant la prochaine utilisation.
Les débris s'échappent du couvercle filtrant	Le couvercle filtrant est endommagé	Remplacez le filtre par un nouveau auprès de votre revendeur
Le flotteur coule	Le flotteur est endommagé	Remplacez le flotteur par un neuf chez votre revendeur
La corde de récupération est tordue	La longueur de le cordon de récupération est trop longue	Ajuster la longueur en fonction des instructions données dans le manuel
La durée du cycle de nettoyage est plus courte que celle annoncée	La batterie n'est pas complètement chargée	Chargez le robot pendant au moins 6 heures. REMARQUE: si des taches se trouvent sur les broches de chargement, retirez-les en utilisant un coton-tige imbibé de jus de citron ou de vinaigre
Le robot ne peut pas être chargé / rechargé	La batterie est endommagée	Contactez le revendeur pour les pièces de rechanges. AVERTISSEMENT! Ne PAS ouvrir le robot et remplacer la batterie par vous-même. Cela peut entraîner des blessures graves ou mortelles et annule la garantie.
	Le prise de charge n'est pas complètement connecté avec le transformateur et le robot.	S'assurer que le prise de charge est correctement et complètement connecté le transformateur et au robot. Se reporter au manuel d'instructions.
	Le transformateur est hors service	Contactez le revendeur pour les pièces de rechanges. AVERTISSEMENT! L'utilisation d'un le transformateur non conforme peut endommager le robot / la batterie et annule la garantie.
Programmes environnementaux, directive européenne WEEE		
	Veuillez respecter les réglementations de l'Union européenne et aider à protéger l'environnement. Envoyez les équipements électriques qui ne fonctionnent plus à une installation désignée par votre municipalité pour un recyclage conforme des équipements électriques et électroniques. Ne les jetez pas dans des poubelles sans tri sélectif. Pour les articles contenant des batteries amovibles, retirer les batteries avant de jeter le produit.	
	© 2020 Kokido Development Ltd. 20009011 Tous droits réservés. Aucune partie de ce document ne peut être reproduite ou transmise sous quelque forme ou par quelque moyen que ce soit, électroniques, mécaniques, photocopies, enregistrement ou de toute autre façon, sans l'autorisation écrite préalable de Kokido Development Ltd. (V1)	

Si une copie électronique de ce manuel d'instructions est requise, veuillez contacter notre service client par email: customerservice@kokido.com

CONSERVER CES INSTRUCTIONS


Fabricant: Kokido Development Limited. Unit 1319, Sunbeam Centre, 27 Shing Yip Street, Kwun Tong, Kowloon, HK

AVISOS E INSTRUCCIONES DE SEGURIDAD

La información contenida en este Manual de instrucciones le ayudará a operar el artículo de manera segura, protegerse a sí mismo y a los demás de peligros, y evitar daños al artículo y otras propiedades.

GUARDE ESTAS INSTRUCCIONES

¡ATENCIÓN!

- Este dispositivo **NO ES UN JUGUETE**. Mantenga a los niños lejos de este limpiafondos y de sus accesorios.
- Los niños no deben usar este producto.
- Este aparato no está diseñado para ser utilizado por personas con capacidades físicas, sensoriales o mentales disminuidas o falta de experiencia y conocimiento, a menos que estén bajo supervisión o hayan recibido instrucciones para el uso del dispositivo por parte de una persona responsable de su seguridad y entiendan los peligros que entraña.
- Los niños no deben jugar con este producto.
- La limpieza y el mantenimiento del producto no deben ser realizados por niños.
- Asegúrese de que el limpiafondos está totalmente sumergido en el agua antes de usarlo. El nivel mínimo de agua necesario para usar el dispositivo debe estar por encima del cabezal del limpiafondos. Si el limpiafondos no está sumergido correctamente en el agua, la unidad podría dañarse y la garantía quedará anulada.
- La profundidad máxima a la que se puede usar este limpiafondos es de 3 metros.
- Condición de uso: Agua: 5° C – 35° C
-  Unidad de alimentación desmontable (adaptador externo).
- El robot solo debe recargarse con el adaptador externo y el enchufe de carga suministrado con este producto.
- Para recargar la batería, utilice exclusivamente la unidad de fuente de alimentación extraíble (número de modelo de adaptador externo: DSS18-0842000-B / DSS18-0842000-C / DSS18-0842000-D/ LX084200) provista con la robot.
- Conecte el adaptador externo a una fuente de alimentación mediante un interruptor diferencial (ID) (también conocido como RCD) / un interruptor de circuito por defecto a tierra (GFCI, por sus siglas en inglés). En caso de duda, consulte a un electricista profesional cualificado.
- NO use este limpiafondos si detecta cualquier daño.
- Cambie las piezas dañadas con piezas certificadas por el distribuidor o el fabricante.
- Apague el dispositivo, desconecte el adaptador externo de la fuente de alimentación y del enchufe de carga, antes de desconectar el robot del enchufe de carga.
- Asegúrese de que el robot esté apagado y desconectado de la red

- eléctrica antes de realizar cualquier mantenimiento, por ejemplo: limpiar el filtro, el anillo de suavizado giratorio, las áreas alrededor de los sensores de agua y el puerto de carga.
- NO intente cambiar la batería recargable de iones de litio preinstalada.
 - NO manipule el robot, el adaptador externo y el enchufe de carga mientras se tenga extremidades húmedas y sin zapatos.
 - NO debe usar este robot cuando haya personas y / o mascotas en el agua
 - NO use el limpiafondos sin un filtro intacto instalado, ya que de lo contrario la garantía quedará anulada.
 - Peligro de atrapamiento por succión: Este limpiafondos genera succión. No permita que su pelo, cuerpo o prendas sueltas entren en contacto con el orificio de succión del limpiafondos cuando esté en funcionamiento.
 - Nunca inserte ninguna parte del cuerpo, ropa o otros objetos en las aberturas o partes móviles del robot
 - NO use este robot para recoger sustancias líquidas tóxicas, inflamables o combustibles (como gasolina), ni en presencia de vapores explosivos o inflamables.
 - No intente, bajo ninguna circunstancia, desmontar el cabezal pivotante para sustituir sus componentes internos. Si lo hace, anulará la garantía, podría exponerse a posibles peligros y dañar el dispositivo y otras propiedades.
 - Nunca debe introducir los dedos ni ningún objeto para tocar el propulsor.
 - Debe sacar la batería del limpiafondos antes de ser desechado.
 - Este limpiafondos incluye una batería que solo puede ser desmontada por personal formado.
 - Debe desconectar el limpiafondos de la alimentación eléctrica al retirar la batería.
 - Para obtener más detalles sobre la eliminación de la batería, consulte la sección "ELIMINACIÓN DE LA BATERÍA" de este manual y póngase en contacto con las autoridades locales para obtener más información.
 - La batería debe desecharse de manera segura y de acuerdo con las ordenanzas o regulaciones locales.
-
- Adaptador externo y el enchufe de carga :
 - NO use el adaptador externo y el enchufe de carga para otra tarea que no sea recargar la batería del limpiafondos, que está incluida en el mismo paquete.
 - El adaptador externo y el enchufe de carga no deben usarse en el exterior, ni deben exponerse a la lluvia, la humedad, líquidos o fuentes de calor.
 - El transformador (o adaptador externo) debe estar situado fuera de la zona 1
 - Mantenga el adaptador externo y el enchufe de carga fuera del alcance de los niños.

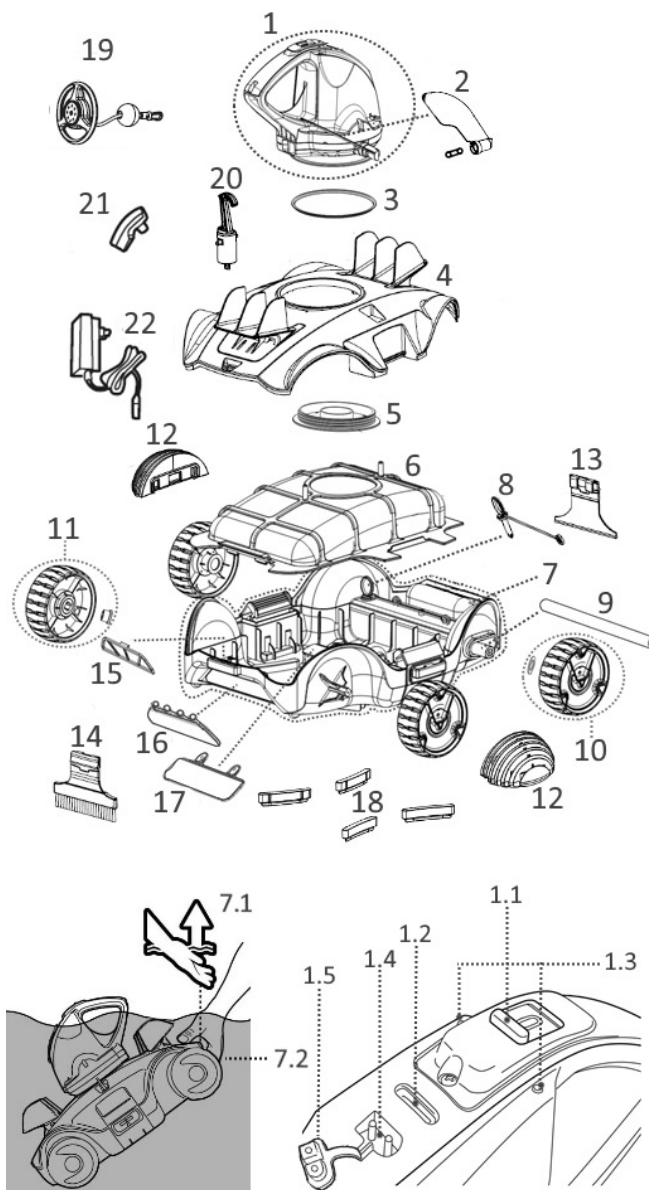
- NO use el adaptador externo ni el enchufe de carga si detecta cualquier daño en ellos.
- NO manipule el adaptador externo ni el enchufe de carga con las manos mojadas.
- Mantenga el adaptador externo desconectado de la corriente eléctrica cuando no lo esté usando.
- NO intente abrir el adaptador externo.
- Si el cable de alimentación del adaptador externo está dañado, el fabricante o su proveedor de servicios debe reemplazar el adaptador externo para prevenir cualquier posible riesgo.
- Asegúrese de que el limpiafondos está totalmente seco antes de recargarlo.

¡PRECAUCIÓN!

- Este limpiafondos ha sido diseñado para su uso bajo el agua; no se trata de una aspiradora multi-función. SOLO debe usarlo para limpiar su piscina.
- Sólo debe usar accesorios originales provistos junto con este producto.
- NO use este limpiafondos justo después de aplicar el tratamiento de choque a la piscina. Se recomienda dejar circular el agua de la piscina durante al menos 24-48 horas.
- Si tiene una piscina de agua salada, asegúrese de que toda la sal esté disuelta antes de introducir el limpiafondos en el agua.
- NO use este limpiafondos eléctrico al mismo tiempo que otra aspiradora / aspiradora eléctrica
- Retire objetos duros y afilados de la piscina antes de usar el robot para evitar daños al robot y su filtro
- Para evitar daños en el adaptador externo y el enchufe de carga, no transporte el robot por el cable del adaptador externo / enchufe de carga, y no tire del cable desconectar de la fuente de alimentación y el enchufe de carga.
- Recargue el limpiafondos en una zona interior, con buena ventilación y lejos de la luz solar directa.
- NO deje el limpiafondos cargando durante más de 10 horas.
- Si no va a usar el limpiafondos durante un periodo de tiempo prolongado, sepárelo del enchufe de carga y use un paño húmedo para limpiar y secar el limpiafondos y sus accesorios. Asegúrese de cargar el limpiafondos entre el 30 % y el 50 % de la capacidad de su batería antes de guardarlo. Guárdelo en una zona bien ventilada y libre de luz solar, calor, fuentes de ignición y productos químicos para piscina, fuera del alcance de los niños. Recargue el limpiafondos cada tres meses.
- Cualquiera intervención que requiera la apertura del cabezal giratorio (es decir, el reciclaje de la batería) debe ser realizada solo por personal autorizado.

Los avisos y precauciones anteriores pueden no incluir todas posibles situaciones de riesgo y/o lesiones graves. Los propietarios de piscina/spa deben tener siempre mucho cuidado y sentido común al utilizar el producto.

FUNCIONAMIENTO DEL LIMPIAFONDOS



Número de piezas de repuesto

1.	Cabezal pivotante (con pestaña lateral)	Incluye flotador, anillo de suavizado giratorio, tapa protectora y placa de tornillo inferior: RC30ASM07 RC30ASM07/US (USA)
1.1.	Interruptor	-----
1.2.	Piloto indicador de encendido	-----
1.3.	Sensores de agua	-----
1.4.	Toma de carga	-----
1.5.	Protección (para puerto de carga)	-----
2.	Pestaña lateral (con pasador lateral)	RC26-07
3.	Junta del cabezal	RC30-08-004
4.	Cubierta superior	RC32ASM03
5.	Placa de tornillo inferior del cabezal pivotante	RC30-05-005
6.	Cubierta del filtro	RC30-09
7.	Base	RC32ASM04 RC32ASM04/US (USA)
7.1.	Indicador de captura	-----
7.2.	Agarradera (bajo el base del robot)	-----
8.	Pasador de seguridad	RC30-10-014
9.	Eje de las ruedas	
10.	Rueda trasera (con arandela)	RC30ASM08
11.	Rueda delantera (con arandela)	RC30-12
12.	Parachoques x 2	RC30-18
13.	Rastrillo a presión	RC32ASM10
14.	Escobilla a presión	
15.	Placa del filtro de drenaje	
16.	Pestaña de drenaje	RC30ASM09
17.	Pestaña de la entrada de aspiración	
18.	Escobilla de suelo x 4	RC30-10-012
19.	Flotador	RC35-13
20.	Gancho (con gancho en V) para pértiga telescópica)	RC30-16
21.	Enchufe de carga	RC26-17
22.	Adaptador	RC30-17-002 (EU) RC30-17-002/US (USA) RC30-17-002/AU (Australia/Nueva Zelanda)

El limpiafondos dispone de una boquilla de propulsión situado en la parte inferior del cabezal pivotante superior. El agua se succiona a través de la entrada de aspiración situada en la parte inferior del limpiafondos, pasa por el filtro y sale por la boquilla de propulsión. El chorro de agua de la boquilla impulsa el limpiafondos hacia adelante. Cuando el limpiafondos se detiene contra un obstáculo como la pared de la piscina, su solapa lateral gira y el cabezal pivotante gira 180°. El limpiafondos empezará a moverse en dirección opuesta. El limpiafondos se suele desplazar con un patrón en línea recta en una dirección, y en arco en la otra dirección. Mientras se mueve, el limpiafondos aspira el fondo de la piscina y captura la suciedad dentro del compartimento del filtro.

PRIMEROS PASOS

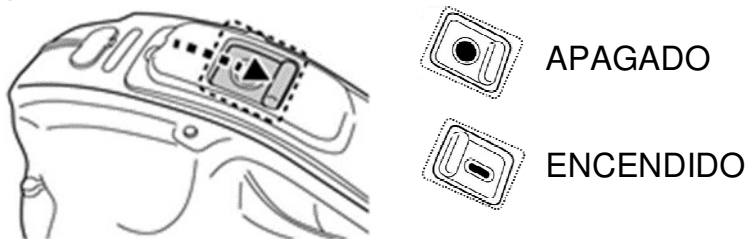
Cargando la batería

AVISO IMPORTANTE: Cargue completamente el limpiafondos (unas 6 horas) antes de usarlo por primera vez.

¡ATENCIÓN!

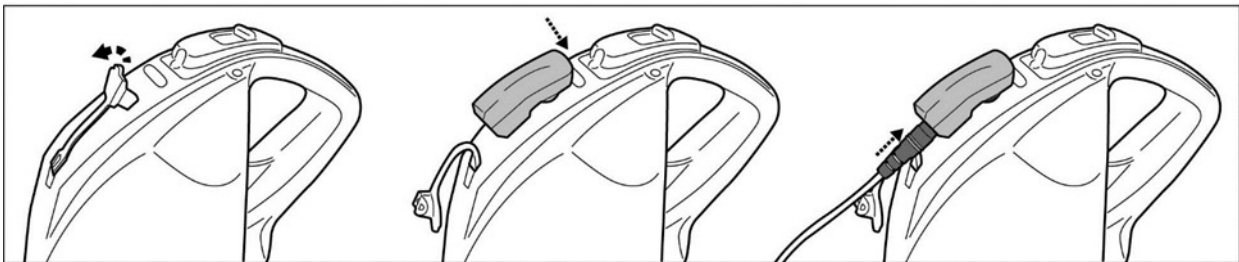
- Solo debe usar el adaptador externo y el enchufe de carga originales incluidos en el producto.
- Asegúrese de que el robot y el puerto de carga estén limpios y secos antes de cargar. (CONSEJO: retire la protección del puerto de carga y use un bastoncillo de algodón para secarlo, así como los pines de carga)
- Los pines de carga son impermeables. Sin embargo, el agua estancada en el puerto y alrededor de los pines podría causar manchas naturales (un subproducto de la reacción química entre el agua y las corrientes eléctricas). Las manchas se pueden eliminar frotando ligeramente con un bastoncillo de algodón humedecido con jugo de limón o vinagre.
- Asegúrese de que el limpiafondos está apagado deslizando el interruptor hasta la posición OFF antes de cargar el aparato.

1. Coloque la unidad sobre una superficie estable. Coloque el interruptor en posición OFF.

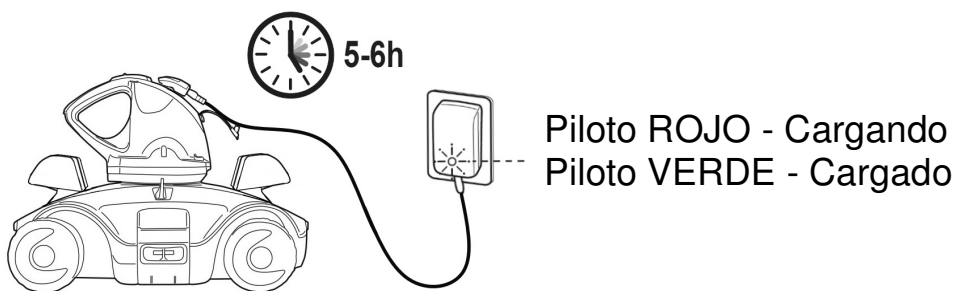


2. Levante la protección. Alinee y asegure el enchufe de carga al puerto de carga

¡ATENCIÓN! Tenga cuidado de no invertir el enchufe de carga y asegúrese de que el enchufe de carga y el puerto de carga estén limpios y secos antes de usar. **CONSEJOS:** use un bastoncillo de algodón para secar el puerto de carga y las clavijas. Enchufe el cable de carga del adaptador externo en el enchufe de carga.



3. Conecte el adaptador externo a la fuente de alimentación. El indicador LED del adaptador externo se vuelve rojo después de que comienza la carga. El indicador LED del adaptador externo se vuelve verde cuando el robot está cargado.



- Desconecte inmediatamente el adaptador externo de la fuente de alimentación si detecta cualquiera de las siguientes condiciones:
 - Olor extraño o inusual
 - Calor excesivo
 - Deformación, grietas o fugas
 - Humo
4. Cuando la carga haya terminado, desconecte el adaptador exterior de la fuente de alimentación y desenchufe el enchufe de carga de la unidad y del adaptador externo.

En condiciones normales, el limpiafondos se puede usar hasta 90 minutos si tiene carga completa.

NOTA: Limpie el compartimento del filtro regularmente. El exceso de suciedad en el compartimento del filtro aumenta el trabajo del motor y, como consecuencia, disminuye el tiempo de funcionamiento.

NOTA: La batería recargable de iones litio-ion está clasificada como un producto consumible. Tiene una vida útil limitada y perderá gradualmente su capacidad de retener la carga. Así pues, el tiempo de funcionamiento del limpiafondos se reducirá gradualmente a medida que se cargue y se descargue por su uso.

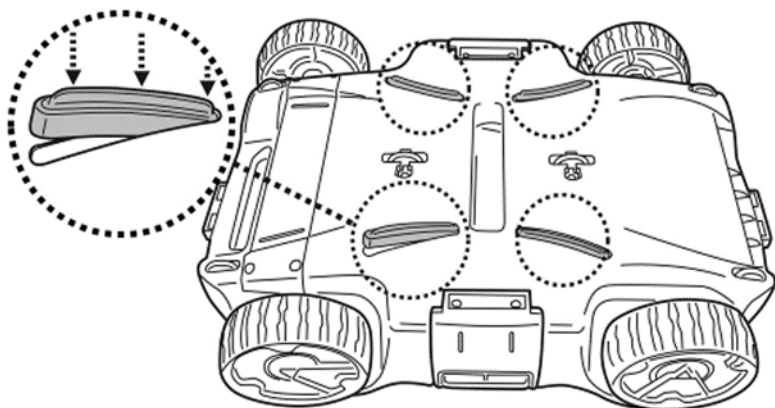
Cuando se agote la vida útil de la batería, consulte en el apartado «ELIMINACIÓN DE LA BATERÍA» las instrucciones para eliminar la batería y sustituir el cabezal giratorio.

NOTA: Deje reposar el limpiafondos durante unos 30 o 40 minutos antes de volverlo a cargar.

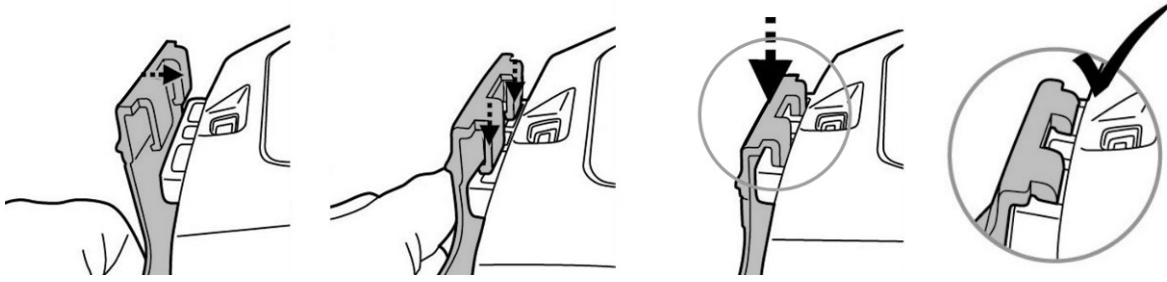
Montaje previo al uso

Instalación de la escobilla del suelo

Alinee e inserte todas las escobillas en las muescas correspondientes de la parte inferior del limpiafondos.



Instalación del rastrillo/escobilla a presión



CONSEJO: Resulta difícil sacar el rastrillo/escobilla; primero hay que pulsar los extremos de los dos ganchos para levantarlo.



IMPORTANT NOTE:

1. Saque el rastrillo/escobilla tras su uso. En caso contrario, podrían deformarse debido a la presión constante, y podrían interrumpir el desplazamiento del limpiafondos.
2. No se recomienda utilizar el rastrillo o el cepillo y la escobilla de goma al mismo tiempo. Podría ralentizar o padar el movimiento del robot.

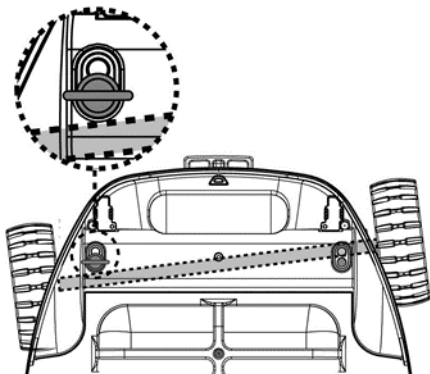
Ajuste de la trayectoria

Pasador de seguridad

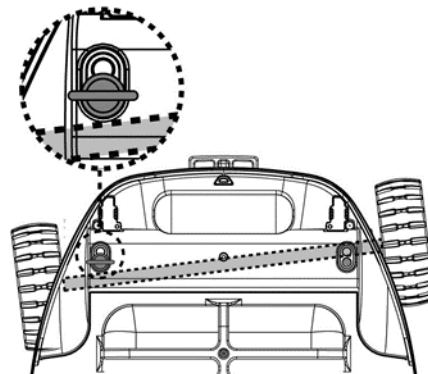
La trayectoria del limpiafondos depende de la posición del pasador que mantiene el eje en cierto ángulo. Hay dos pasadores de seguridad: el de la derecha es fijo y no hay que tocarlo. Solo se debe alterar la posición del pasador de la izquierda.

Configuraciones recomendadas:

Para piscinas en las que la longitud más corta es de 3 metros o menos.
(Configuración de fábrica)



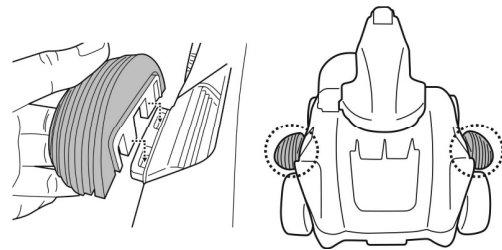
Para piscinas en las que la longitud más corta es de 3 metros o más



Parachoques

El parachoques es opcional y se usa en las siguientes situaciones:

Si el limpiafondos tiende a seguir el perímetro de una piscina redonda, instale un parachoques a cada lado del dispositivo para eliminar dicho patrón.



Preparación de la piscina

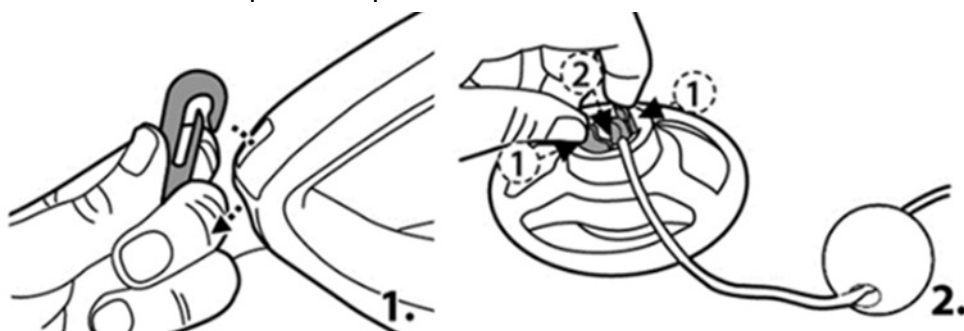
- Si hay piedras, raíces o corrosión metálica en contacto con la parte inferior del revestimiento, retírelas antes de usar el limpiafondos. Pida la ayuda de un profesional cualificado si fuera necesario.
- Si el revestimiento está resquebrajado, dañado o arrugado, contacte con un profesional cualificado para que realice las reparaciones necesarias o sustituya el revestimiento antes de usar el limpiafondos.
- Retire la escalerilla de la piscina, el recogehojas y otros objetos flotantes de la piscina, ya que podrían obstruir el movimiento del flotador del limpiafondos y, en consecuencia, el movimiento del propio limpiafondos.
- Si tiene una piscina de agua salada, asegúrese de que toda la sal esté disuelta antes de introducir el limpiafondos en el agua.

NOTA IMPORTANTE: Desactive el sistema de filtración (tal como se indica en el manual pertinente) al menos 15 minutos antes de poner en funcionamiento el robot.

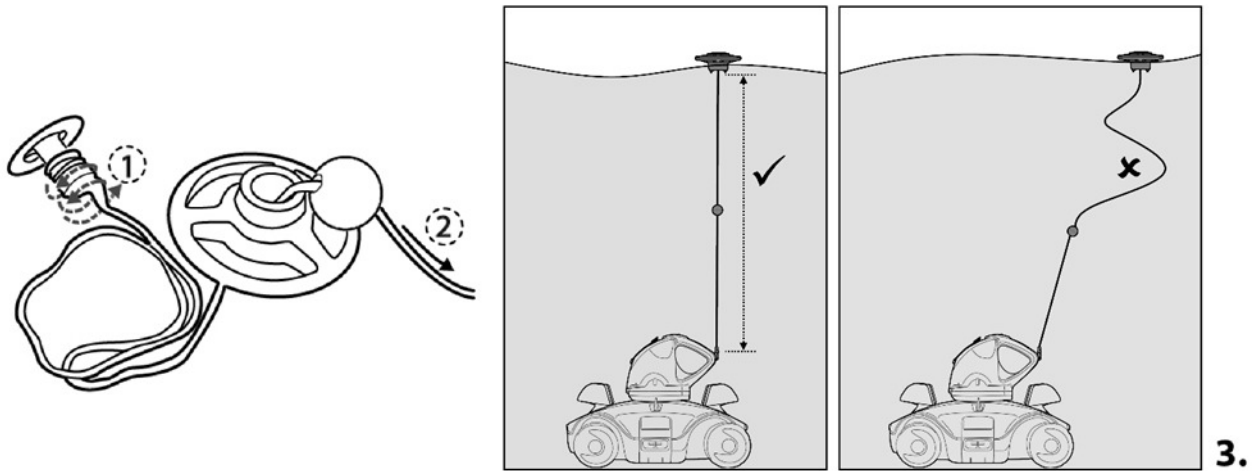
FUNCIONAMIENTO

¡ATENCIÓN!

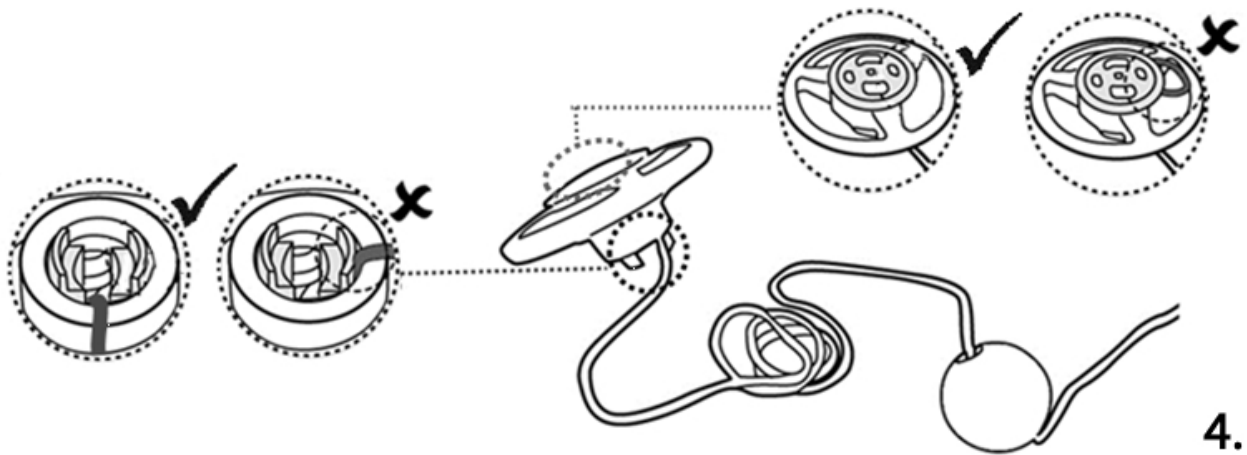
- Asegúrese de apagar el limpiafondos.
 - Asegúrese de que el enchufe de carga esté desconectado y que la protección del puerto de carga esté colocada antes de usar el robot.
1. Coloque el limpiafondos en el lateral de la piscina. NOTA: Introduzca el limpiafondos desde el lateral de la piscina (no desde la esquina) y asegúrese de que está orientado hacia afuera. Enganche el gancho del flotador al asa del cabezal giratorio. Presione el clip lateral para soltar el tubo del flotador.



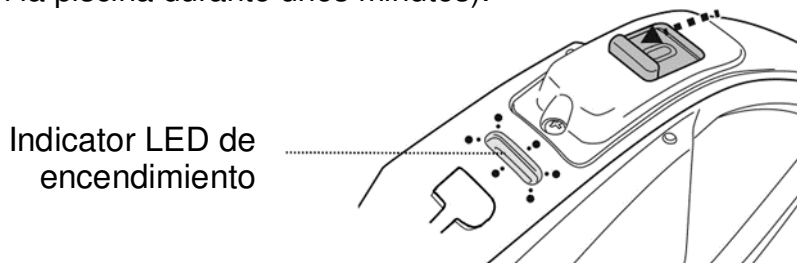
Suelte cuerda de recuperación del tubo hasta disponer de una longitud equivalente a la distancia entre el mango del limpiafondos y el nivel del agua. NOTA: Un exceso de longitud podría retorcer la cuerda y afectar al rendimiento del aparato.



Una vez alcanzada la medida deseada, manténgala sujetando la cuerda sobre el tubo y vuelva a fijarlo al flotador presionando el clip lateral, tal como se muestra.



2. Sumerja el robot apagado en la piscina y sacúdalo suavemente varias veces para facilitar la evacuación del aire. El exceso de aire atrapado en el cuerpo puede provocar un comportamiento errático de la cabeza giratoria (es decir, girar varias veces en la piscina durante unos minutos).



3. Coloque el interruptor de encendido en la posición "ON" (cuando el robot esté sumergido): la luz se enciende y activa automáticamente el motor (sensores en la parte superior del cabezal giratorio sumergido). Deje que el robot se hunda hasta el fondo de la piscina y observe sus primeros movimientos de un lado a otro en el fondo de la piscina. Si corre a lo largo de la pared en lugar de perpendicularmente, recupérela y vuelva a desplegarla mientras se asegura de que su parte delantera / trasera mire hacia la pared de la piscina.

El piloto de alimentación empieza a parpadear cuando la energía restante es inferior a 10 minutos.

Piloto indicador de encendido:

Piloto apagado - Apagado / sin alimentación

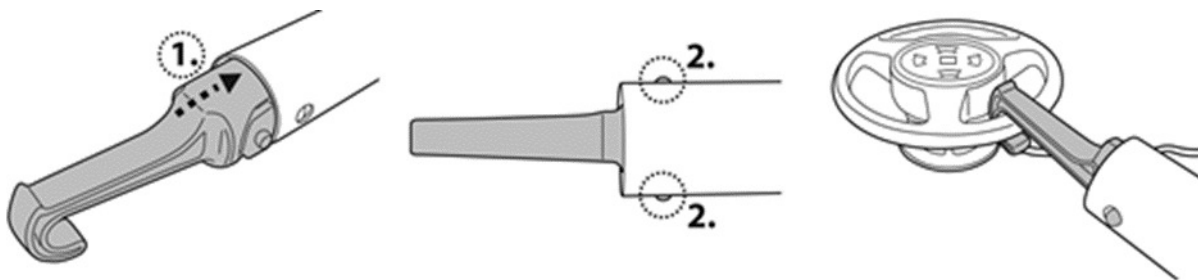
Piloto encendido - Encendido

Piloto parpadeante - La batería se agotará en 10 minutos.

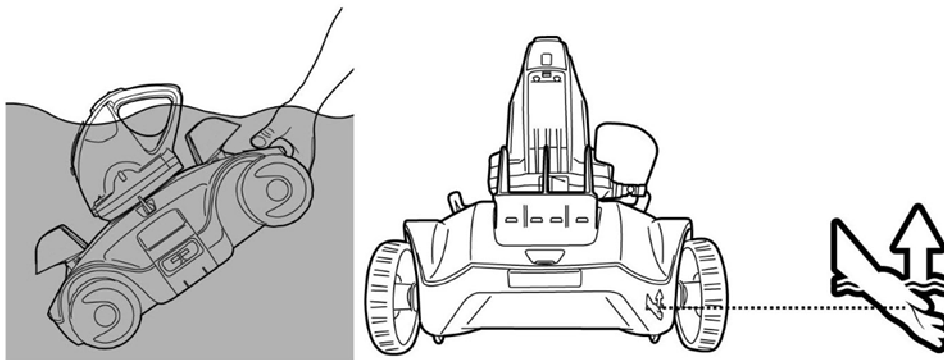
NOTA:

- No permita que ambos sensores de agua entren en contacto con otra sustancia que no sea agua.

4. Si no puede recuperar el robot con las manos, coloque el gancho en un poste telescópico (no incluido) y utilícelo para recuperar el flotador.



Cuando el robot llegue a la superficie del agua, encontrará el mango que se encuentra debajo de la base gracias al símbolo del diagrama a continuación. Asegúrese de agarrar siempre el robot por este extremo para evitar que caigan escombros en la piscina.



5. Coloque el interruptor en posición OFF. Enjuague el limpiafondos con agua limpia tras cada uso. NO use detergentes.

6. Seque completamente el puerto de carga y las clavijas (CONSEJOS: puede usar un bastoncillo de algodón para secarlos)

NOTA: Para garantizar una limpieza eficiente, en caso de que la piscina esté bastante sucia, se recomienda vaciar el compartimento del filtro (dentro del limpiafondos) una vez transcurridos los primeros 30 minutos de funcionamiento, o siempre que el movimiento del aparato se ralentice notablemente. A continuación, vuelva a colocar el limpiafondos (con el compartimento del filtro ya vacío) en la piscina y deje que complete su ciclo.

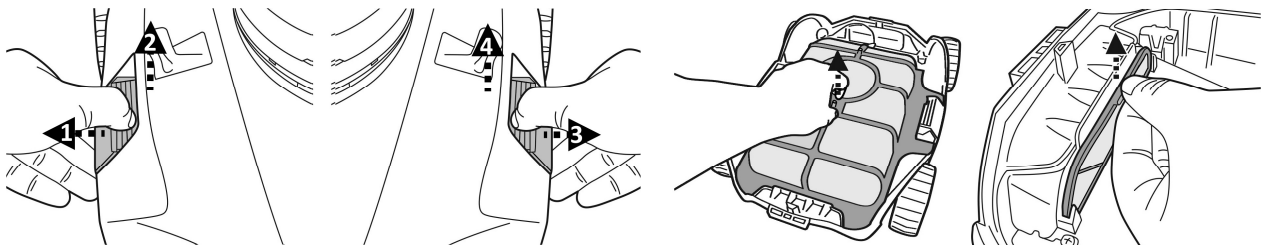
VACIADO DEL COMPARTIMENTO DEL FILTRO

¡ATENCIÓN! El uso del limpiafondos sin una cubierta de filtro instalada **ANULARÁ** su garantía.

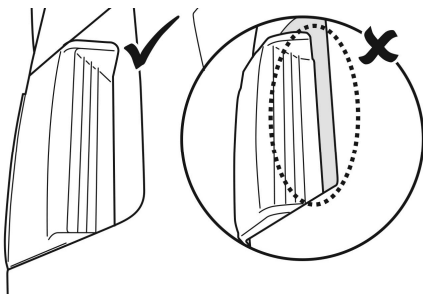
Para maximizar la eficiencia del lavado, asegúrese de limpiar el compartimento y la cubierta del filtro antes y después de cada uso.

¡PRECAUCIÓN! Asegúrese de que el limpiafondos está **APAGADO** antes de limpiar el compartimento de restos.

1. Coloque el limpiafondos sobre una superficie plana. Tire de un gancho lateral hacia afuera para levantar un lado de la cubierta y repita los mismos pasos en el otro lado para levantar toda la cubierta superior y dejar al descubierto la cubierta del filtro y la placa del filtro.



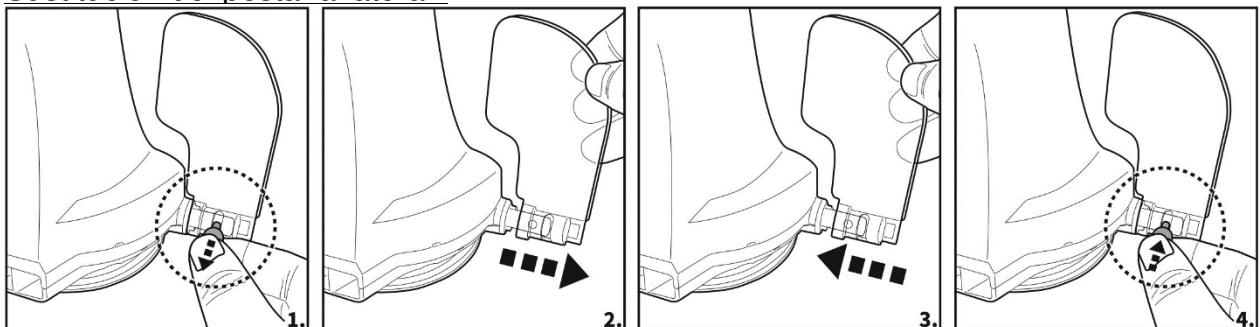
2. Vacíe los restos del compartimento del filtro. Se recomienda limpiar la red del filtro y la placa de drenaje del filtro con un chorro de agua. Si cree necesario cepillarla, use un cepillo suave para limpiarla con cuidado. **NO** aplique presión a la red.
3. Tras la limpieza, asegúrese de que tanto la placa de drenaje como la cubierta del filtro están en su lugar y que la cubierta superior del aparato está asegurada mediante los ganchos laterales. Debe introducir completamente los ganchos laterales en el limpiafondos aplicando presión sobre ellos.



¡PRECAUCIÓN!

- Sustituya la cubierta del filtro dañado inmediatamente antes del uso siguiente.
- Sustituya la placa del filtro dañado inmediatamente antes del uso siguiente.
- Sustituya la pestaña lateral dañado inmediatamente antes del uso siguiente.

Sustitución del pestaña lateral



MANTENIMIENTO Y ALMACENAMIENTO

NOTA:

1. Asegúrese de limpiar y secar las áreas alrededor del puerto de carga y los sensores de agua después de cada uso para evitar manchas (un subproducto de una reacción química natural entre la corriente eléctrica y el agua). Las manchas se pueden quitar con un bastoncillo de algodón empapado en jugo de limón o vinagre.
2. La batería se descarga durante los periodos de almacenamiento. Asegúrese de cargar el limpiafondos entre el 30 % y el 50 % de la capacidad de su batería antes de guardarlo.
3. Debe recargar la batería al menos una vez cada tres meses si no la va a usar.
 - Desenchufe el adaptador externo del enchufe y el enchufe de carga del adaptador externo y del limpiafondos.
 - Desmonte todos los accesorios del limpiafondos. Si fuera necesario, enjuague el limpiafondos y sus accesorios con agua limpia. NO use detergente.
 - Asegúrese de drenar el agua del limpiafondos antes de guardarlo.
 - Use un paño húmedo para limpiar y secar el limpiafondos y sus accesorios.
 - Guárdelos en una zona bien ventilada y libre de luz solar, calor, fuentes de ignición y productos químicos para piscina, fuera del alcance de los niños. La temperatura ambiente de almacenamiento debe ser de 10° C - 25° C. NOTA: Una temperatura de almacenamiento superior podría reducir la vida útil de la batería.

¡ATENCIÓN!

No intente, bajo ninguna circunstancia, desmontar el cabezal pivotante para sustituir sus componentes internos. Si lo hace, anulará la garantía, podría exponerse a posibles peligros y dañar el dispositivo y otras propiedades.

¡PRECAUCIÓN!

- El calor excesivo puede dañar la batería y reducir la vida útil del limpiafondos.
- Consulte con su distribuidor para la sustitución de la batería si ocurre lo siguiente:
 - La batería parece dañada o no se carga completamente.
 - El tiempo de funcionamiento de la batería se ha reducido considerablemente. Observe y anote el tiempo de funcionamiento durante los primeros usos (con una carga completa). Use esta información como referencia para comparar el tiempo de funcionamiento en el futuro.
- Debe sacar la batería del limpiafondos antes de ser desechado.
- Debe desconectar el limpiafondos de la alimentación eléctrica al retirar la batería.
- La batería debe desecharse de manera segura y de acuerdo con las ordenanzas o regulaciones locales.

NOTA: Un mantenimiento incorrecto puede reducir la vida útil de la batería y afectar a su capacidad.

ELIMINACIÓN DE LA BATERÍA(Debe hacerlo un técnico autorizado)

Su limpiafondos está equipado con un paquete de baterías de litio-ion recargable que no requiere mantenimiento y que debe ser desechado correctamente. Su reciclaje es obligatorio; contacte con su autoridad local para obtener más información.

¡ATENCIÓN! Nunca debe intentar desmontar un paquete de baterías.

- Quítese todos los objetos personales, como anillos, pulseras, collares y relojes, antes de desconectar el paquete de baterías del limpiafondos.
- Una batería puede generar una corriente de cortocircuito lo suficientemente elevada como para soldar un anillo (u objeto similar) al metal, causando graves quemaduras.
- Al retirar el paquete de baterías debe llevar gafas protectoras, guantes y ropa protectora.
- Evite tocar los cables y que éstos entren en contacto con cualquier objeto metálico, lo cual podría causar chispas y/o un cortocircuito en la batería.
- No fume ni permita la presencia de chispas o llamas cerca de la batería ni del limpiafondos.
- No exponga la batería al fuego o a calor intenso, ya que se podría producir una explosión.

¡PRECAUCIÓN!

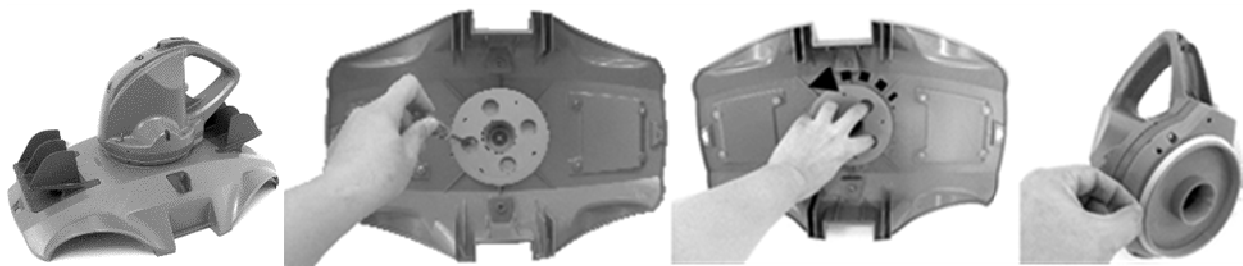
Si se produce una fuga, evite entrar en contacto con los líquidos y coloque la batería dañada en una bolsa de plástico.

- Si los líquidos de la fuga entran en contacto con piel o ropa, lávese inmediatamente con mucha agua y jabón.
- Si los líquidos de la fuga entran en contacto con sus ojos, no los frote; láveselos inmediatamente con agua fresca durante un mínimo de 15 minutos sin frotar. Busque atención médica lo antes posible.

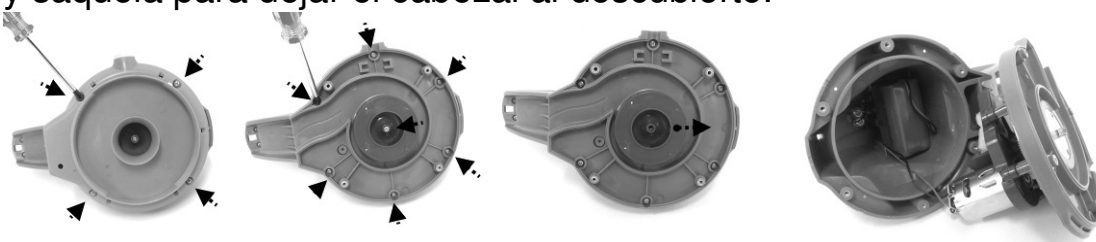
Cómo retirar el paquete de baterías solo para la eliminación de la batería (debe hacerlo un técnico autorizado)

Herramientas recomendadas (no incluidas): Destornillador.

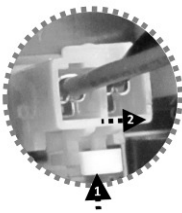
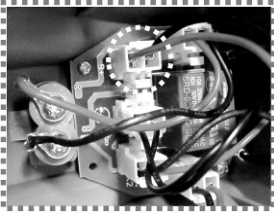
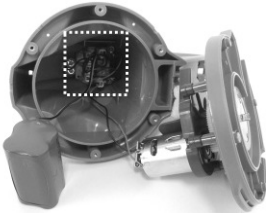
1. Siga las instrucciones del apartado «VACIADO DEL COMPARTIMENTO DEL FILTRO» para quitar la tapa superior (unida al cabezal de aspiración). Coloque la tapa al revés y use un destornillador para aflojar el tornillo de la placa de bloqueo inferior. Gire la placa de bloqueo inferior en sentido antihorario para desenroscarla. Retire el anillo de suavizado giratorio.



2. Use el destornillador para desatornillar los 4 pernos situados en la parte inferior del cabezal para liberar la placa inferior. Desatornille todos los pernos de la base, tal como aparece en la imagen. Retire el propulsor, tire de la base y sáquela para dejar el cabezal al descubierto.



3. Saque el paquete de baterías para dejar el PCBA al descubierto. Para desconectar el cable de la batería, presione el clip del conector y tire de él. NOTA: Envuelva inmediatamente el conector con cinta aislante para evitar cortocircuitos causados por el contacto de ambos terminales.





RESOLUCIÓN DE PROBLEMAS

Problema	Posible causa	Solución
El robot no funciona cuando está sumergido en agua	Sensores de agua manchados	Use un bastoncillo de algodón humedecido con jugo de limón o vinagre para limpiar las manchas.
El limpiafondos no captura la suciedad	La batería se está acabando	Vuelva a cargar la batería.
	El propulsor está atascado	Apague el limpiafondos y compruebe visualmente el orificio situado debajo del cabezal de aspiración para ver si el propulsor está atascado a causa de detritos grandes. Si es necesario, contacte con su distribuidor para obtener más instrucciones. ¡ATENCIÓN! Asegúrese de que el limpiafondos está apagado antes de realizar cualquier operación de mantenimiento.
	La entrada de aspiración está atascada	Retire los objetos atascados de la entrada de aspiración
	El propulsor está roto	Póngase en contacto con su distribuidor para obtener un reemplazo
El limpiafondos se ha parado en medio de la piscina, pero el cabezal de aspiración sigue girando	El filtro está lleno	Limpie el compartimento y la cubierta del filtro.
	El limpiafondos se ha detenido debido a un obstáculo o a un gran desnivel en el revestimiento de la piscina.	Compruebe si hay algo que obstruya el limpiafondos. Retire el obstáculo.
El robot se ve obstaculizado por la succión principal del fondo de la piscina.	El robot se ve obstaculizado por la succión principal del fondo de la piscina.	Apague el sistema del filtro según se indica en el manual.
	Aire atrapado en el interior del robot	Sumerja el robot apagado en la piscina y sacúdalo suavemente varias veces para facilitar la descarga de aire antes de encenderlo (enciéndalo sumergido en agua). El cabezal giratorio puede girar repetidamente durante un corto tiempo después de que el robot se hunda hasta el fondo de la piscina. Este fenómeno se detendrá una vez que el aire atrapado dentro del robot sea evacuado, entonces el robot comenzará a moverse normalmente.
El cabezal pivotante gira repetidamente	El filtro está lleno	Limpie el filtro
	El tiempo de funcionamiento es más corto de lo esperado	Limpie el compartimento del filtro y vuelva a cargar el limpiafondos durante 6 horas
	La dirección del desplazamiento se ve interrumpida por la corriente de agua generada por el sistema de filtros	Desactive el sistema de filtrado (tal como se indica en el manual pertinente) al menos 15 minutos antes de poner en marcha el robot.
	La rueda está atascada	Limpie los restos de la rueda.
	La posición del eje de las ruedas no es correcta / requiere un parachoques	Siga las instrucciones para ajustar la posición del eje de las ruedas e instale un parachoques.
	El limpiafondos se desplaza en paralelo a la pared de una piscina redonda	Asegúrese de haber instalado los parachoques según las instrucciones del manual.
	El rastrillo / la escobilla está deformado	Déjelos al sol durante unas horas para enderezarlos. Si fuera necesario, sustitúyalos por un Nuevo rastrillo/escobilla.
	el rastrillo / cepillo y la escobilla de goma están utilizados al mismo tiempo	Retire la escobilla de goma o rastrillo y cepillo.
	Las algas hacen que el fondo de la piscina se vuelva resbaladizo, lo que a su vez consigue que el robot se	Frote el fondo de la piscina y las ruedas del robot para eliminar las algas.

	displace en círculos.	
El limpiafondos se desplaza a lo largo de la pared de la piscina	La posición del eje de las ruedas no es correcta / requiere un parachoques	Siga las instrucciones para ajustar la posición del eje de las ruedas e instale un parachoques.
El limpiafondos está atrapado en un punto estrecho de la piscina	El limpiafondos no tiene suficiente espacio para girar en otra dirección	Siga las instrucciones para instalar un parachoques a ambos extremos del limpiafondos.
El limpiafondos se mueve lentamente, se detiene o no se mueve en absoluto.	El compartimento para basura está lleno o el filtro está atascado.	Limpie el compartimento de la basura. Lave el filtro con agua para eliminar las partículas pequeñas. Si precisa cepillado, utilice un cepillo y límpielo con suavidad. Nota: asegúrese de que la cubierta del filtro esté bien colocada antes de volver a usar el robot.
	La entrada de aspiración está atascada	Retire los objetos atascados de la entrada de aspiración
	El rastrillo / la escobilla está deformado	Déjelos al sol durante unas horas para enderezarlos. Si fuera necesario, sustitúyalos por un Nuevo rastrillo/escobilla.
	el rastrillo / cepillo y la escobilla de goma estan utilizados al mismo tiempo	Retire la escobilla de goma o rastrillo y cepillo.
	El propulsor está atascado	Apague el limpiafondos e inspeccione el orificio que hay debajo del cabezal pivotante para ver si el propulsor está atascado debido a restos grandes. Si fuera necesario, contacte con su proveedor para recibir más instrucciones. ¡AVISO! Asegúrese de que el limpiafondos está apagado antes de manipular la unidad.
El cabezal de aspiración no gira o gira lentamente	La pestaña lateral no se levanta.	Retire cualquier resto que limite el movimiento de la pestaña.
	La parte inferior del cabezal giratorio está atascada	Suelte el cabezal giratorio y la anilla pivotante siguiendo las instrucciones del apartado «Cómo retirar el paquete de baterías» del manual y, a continuación: <ul style="list-style-type: none"> - Retire la suciedad atrapada - Inspeccione la anilla pivotante para comprobar que no presenta desperfectos o daños por desgaste. Sustitúyala por una nueva si es necesario - Verifique que la anilla pivotante y la placa inferior estén instaladas correctamente (consulte las ilustraciones inferiores)
La suciedad se sale del	La pestaña de la entrada de aspiración (en la parte	La pestaña de la boquilla de aspiración funciona como una compuerta y evita que los restos salgan

limpiafondos	<i>inferior del limpiafondos está dañada</i>	de su compartimento. Contacte con su proveedor para sustituir piezas y recibir instrucciones.
	<i>Hay restos atascados en la entrada de aspiración que no permiten que la pestaña se cierre.</i>	Retire los restos atascados de la entrada de aspiración.
	<i>La placa de drenaje del filtro está rota o no está en su sitio</i>	Asegúrese de que la placa de drenaje del filtro está en su sitio y sustitúyala si fuera necesario antes de usar el aparato de nuevo.
Los restos se salen del filtro	<i>La red del filtro está dañada</i>	Reemplace el filtro por uno nuevo de su distribuidor
El flotador se hunde	<i>El flotador está roto y el agua entra en él</i>	Reemplace el flotador por uno nuevo de su distribuidor
La cuerda de recuperación está retorcida	La cuerda de recuperación es demasiado larga	Ajustar la longitud de acuerdo con las instrucciones del manual
La duración del ciclo de limpieza es más corta que la anunciada.	La batería no está completamente cargada.	Cargue el robot durante al menos 6 horas. NOTA: Si hay manchas en los pines de carga, quítelos con un bastoncillo de algodón humedecido con jugo de limón o vinagre.
El limpiafondos no se carga / recarga	<i>La batería está dañada</i>	Contacte con su proveedor para sustituir la batería. ¡ATENCIÓN! NO abra el limpiafondos ni sustituya la batería por sí mismo. Podría sufrir heridas graves o fatales y la garantía quedaría anulada.
	<i>El enchufe de carga no está totalmente conectado al adaptador externo y al limpiafondos.</i>	Asegúrese de que el enchufe de carga está correctamente conectado al adaptador externo y al limpiafondos. Consulte el manual de instrucciones.
	El adaptador externo no funciona	Contacte con su proveedor para la sustitución. ¡ATENCIÓN! El uso de un adaptador externo inadecuado dañará el limpiafondos/batería e invalidará la garantía.

Programas medioambientales, Directiva Europea WEEE

	Respete las regulaciones de la Unión Europea y ayúdenos a proteger el medio ambiente. Devuelva los equipos eléctricos desechados al punto indicado por su municipio, en el que se recicle correctamente el equipo eléctrico y electrónico. No lo deposite en contenedores de basura sin separar. En el caso de objetos que incluyan pilas, sáquelas antes de depositar el producto.
	© 2020 Kokido Development Ltd. 20009011 Todos los derechos reservados. Queda prohibida la reproducción o publicación parcial de este documento, por cualquier forma o medio, ya sea electrónico, mecánico, fotocopias, grabaciones u otros medios, sin el consentimiento previo por escrito de Kokido Development Ltd. (V1)

Si necesita una copia digital de este manual de instrucciones, contacte con nuestro servicio de Atención al Cliente por correo electrónico: customerservice@kokido.com

GUARDE ESTAS INSTRUCCIONES

WAARSCHUWINGEN EN VEILIGHEIDSAANWIJZINGEN

De informatie in deze Handleiding helpt u om het apparaat veilig te bedienen, om uzelf en anderen te beschermen tegen gevaren en om schade aan het apparaat en andere eigendommen te voorkomen.

BEWAAR DEZE HANDLEIDING

WAARSCHUWING!

- Dit is geen SPEELGOED. Zorg ervoor dat kinderen uit de buurt blijven van deze robot en zijn toebehoren.
- Laat kinderen nooit dit toestel bedienen.
- Dit apparaat is niet bedoeld voor gebruik door personen met verminderde fysieke, zintuiglijke of mentale capaciteiten, of een gebrek aan ervaring en kennis, tenzij zij onder toezicht staan of instructies hebben gekregen over het gebruik van het apparaat door een persoon die verantwoordelijk is voor hun veiligheid en zij de daarmee gepaard gaande risico's begrijpen.
- Kinderen mogen niet met dit product spelen.
- De reiniging en het onderhoud van de robot mogen niet door kinderen worden uitgevoerd.
- Zorg ervoor dat de robot volledig ondergedompeld is voor u hem inschakelt. Het minimale waterpeil dat nodig is om de robot te bedienen moet boven de zwenkkop van de robot liggen. Het bedienen van de robot terwijl hij niet volledig in het water gedompeld is kan de eenheid beschadigen en de garantie tenietdoen.
- De zuiger is geschikt voor zwembaden tot 3 meter diep.
- Bedrijfstemperatuur van het water: 5°C (41°F) –35°C (95°F)
-  Verwijderbaar voedingsapparaat (externe adapter).
- De robot mag alleen worden opgeladen met de externe adapter en de meegeleverde laadstekker.
- Gebruik voor het opladen van de batterij alleen de afneembare voedingseenheid (modelnummer van de externe adapter: DSS18-0842000-B / DSS18-0842000-C / DSS18-0842000-D/ LX084200) die bij deze robot is geleverd om de batterij op te laden.
- Sluit de externe adapter aan op een stroombron via een aardlekschakelaar (RCD) / een verliesstroomschakelaar (GFCI). Raadpleeg een professionele elektricien als u vragen hebt.
- Gebruik deze robot niet indien schade is vastgesteld.
- Vervang beschadigde onderdelen door onderdelen die door de distributeur of fabrikant zijn gecertificeerd.
- Schakel de robot uit, trek de stekker van de externe adapter uit het stopcontact en haal de stekker van de externe adapter uit de laadstekker, voordat u de robot uit de laadstekker haalt.
- Koppel de robot los van het elektriciteitsnet en zorg ervoor dat de robot UIT staat voordat u regelmatig onderhoud uitvoert - zoals het reinigen van het filter, de zwenkring en de plaatsen rond de watersensoren en de

- laadpoort.
- Probeer in geen geval de geïnstalleerde oplaadbare Li-ion-batterij te vervangen.
 - Pak de robot, de externe adapter en de laadstekker NIET vast met natte ledematen en zonder schoenen terwijl hij wordt opgeladen.
 - U mag deze robot niet bedienen wanneer er mensen en/of huisdieren in het water aanwezig zijn.
 - Het gebruik van deze robot ZONDER een intacte filter leidt tot het vervallen van de garantie.
 - Gevaar voor beknelling door zuigkracht: Deze robot genereert zuigkracht. Zorg ervoor dat haar, lichaamsdelen of losse kledingstukken niet in contact komen met de zuigmond van de robot wanneer deze ingeschakeld is.
 - Steek nooit lichaamsdelen, kleding en andere voorwerpen in de openingen en bewegende delen van de robot.
 - Gebruik deze robot NIET om giftige stoffen, ontvlambare en brandbare vloeistoffen (d.w.z. benzine) op te zuigen in de aanwezigheid van explosieve of ontvlambare dampen.
 - U mag de zwenkkop in geen geval zelf demonteren om de interne onderdelen te vervangen. Hierdoor zou de garantie komen te vervallen, zou u zich kunnen blootstellen aan mogelijke gevaren en zou u het apparaat en andere elementen kunnen beschadigen.
 - Steek nooit je vingers of een ander voorwerp in het toestel om de rotor aan te raken.
 - De ingebouwde batterij moet door een ervaren technicus worden verwijderd voordat deze wordt afgedankt.
 - Deze elektrische bodemzuiger bevat een batterij die enkel mag worden verwijderd door vakkundig personeel.
 - De elektrische bodemzuiger moet van het stroomnet worden losgekoppeld wanneer de batterij verwijderd wordt.
 - Voor meer informatie over het recyclen/verwijderen van batterijen raadpleegt u het hoofdstuk " DE BATTERIJ WEGWERPEN" in deze handleiding en neemt u contact op met uw lokale autoriteiten voor meer informatie.
 - De batterij moet veilig worden weggegooid in overeenstemming met de plaatselijke verordeningen of voorschriften.
- Externe adapter en laadstekker:
 - Gebruik de externe adapter en laadstekker nooit voor iets anders dan voor het opladen van de batterij van de robot die in hetzelfde pak wordt meegeleverd.
 - Gebruik de externe adapter en laadstekker niet buitenshuis en stel ze niet bloot aan regen, vocht, vloeistoffen of hitte.
 - De transformator (of externe adapter) moet buiten zone 1 geplaatst worden
 - Houd de externe adapter en laadstekker buiten het bereik van kinderen.

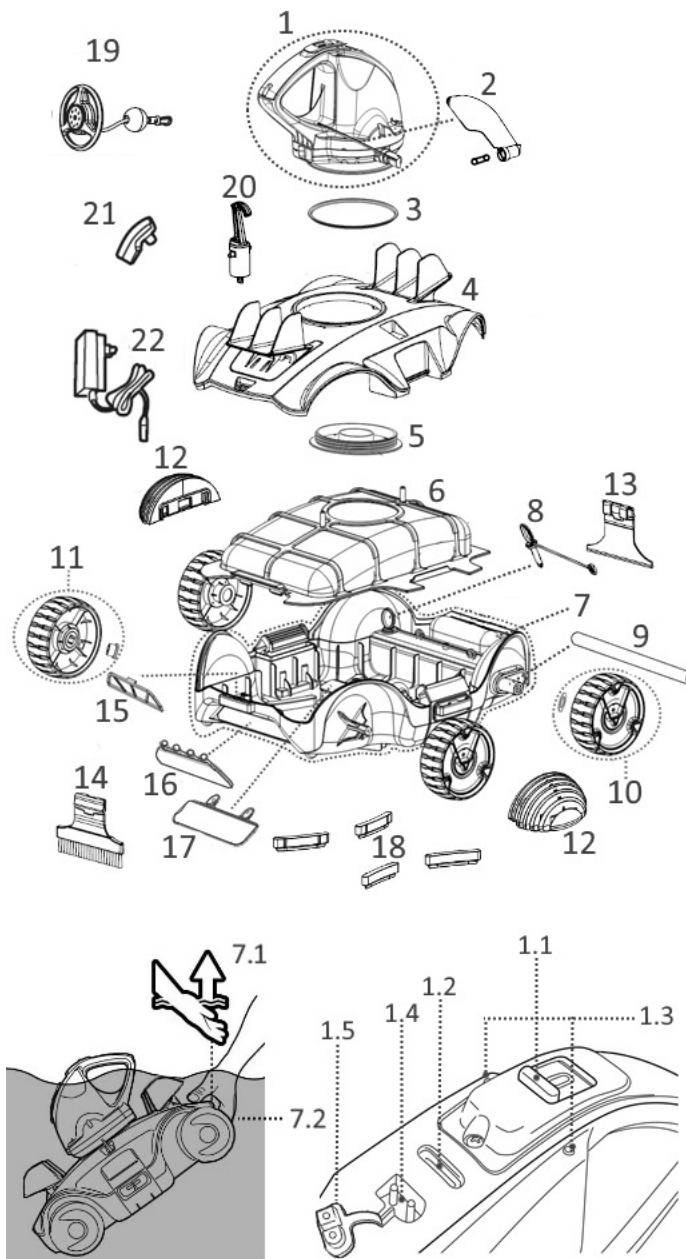
- Gebruik de externe adapter en laadstekker nooit als enige schade wordt vastgesteld.
- Raak de externe adapter en laadstekker NIET aan met natte handen.
- Haal de externe adapter uit het stopcontact wanneer hij niet in gebruik is.
- Probeer de externe adapter nooit te openen.
- Als de voedingskabel van de externe adapter beschadigd is, moet de externe adapter door de fabrikant of zijn servicemedewerker worden vervangen om gevaren van welke aard ook te voorkomen.
- Zorg ervoor dat de robot volledig droog is voor u hem oplaadt.

OPGELET!

- Deze robot is enkel bestemd voor gebruik onder water; het is geen universele bodemzuiger. Gebruik hem NOOIT om iets anders schoon te maken dan uw zwembad.
- Gebruik enkel de originele toebehoren die bij dit toestel worden geleverd.
- Gebruik deze robot NIET vlak na een chloorshock. Het is raadzaam om de pomp eerst 24-48 uren te laten draaien.
- Als u een zwembad met zout water gebruikt, zorg er dan voor dat al het zout opgelost is voordat u de robot in het water plaatst.
- Het is niet raadzaam deze robot tegelijkertijd te gebruiken met een andere automatische reiniger/reiniger.
- Zuig geen harde, scherpe voorwerpen op met dit toestel. Ze kunnen de robot en filter beschadigen.
- Draag de robot niet met het snoer van de externe adapter/laadstekker of trek niet aan het snoer om hem van de stroombron en de laadstekker los te koppelen om schade aan de externe adapter en de laadstekker te vermijden.
- Laad de robot binnenshuis op in een schone, droge en goed verluchte ruimte uit het zonlicht.
- Laat de robot NOOIT langer dan 10 uur opladen.
- Als u de robot langere tijd niet gaat gebruiken, ontkoppel hem dan van de laadstekker en gebruik een vochtige doek om de robot en toebehoren schoon te maken en af te drogen. Laad de robot tot ongeveer 30% - 50% van de laadcapaciteit op voordat u hem opbergt. Bewaar hem in een goed verluchte ruimte, beschermd tegen zonlicht, hitte, ontstekingsbronnen en zwembadchemicaliën en buiten het bereik van kinderen. Laad de robot om de drie maanden op.
- Alle handelingen met betrekking tot de demontage van de zwenkkop (d.w.z. het afvoeren van de batterij) mogen alleen door een geautoriseerde technicus worden uitgevoerd.

Bovenstaande waarschuwingen en veiligheidsaanwijzingen vormen geen uitsluitende lijst van alle mogelijke risico's en/of verwondingen. Elke zwembad- of spa-eigenaar moet het toestel voorzichtig en met gezond verstand gebruiken.

HOE WERKT DE ROBOT



Vervangende onderdelen nummer

1.	Zwenkkop(met zijklep)	Inclusief vlotter, zwenkring, beschermkap en bodemschroefplaat: RC30ASM07 RC30ASM07/US (USA)
1.1.	Schuifschakelaar	-----
1.2.	Controlelampje	-----
1.3.	Watersensoren	-----
1.4.	Laadpoort	-----
1.5.	Beschermkap (voor laadpoort)	-----
2.	Zijklep (met zijpin)	RC26-07
3.	Zwenkring	RC30-08-004
4.	Bovenkap	RC32ASM03
5.	Zwenkkop bodemplaat	RC30-05-005
6.	Filterdeksel	RC30-09
7.	Basis	RC32ASM04 RC32ASM04/US (USA)
7.1.	Greepindicator	-----
7.2.	Handgreep (onder de robotvoet)	-----
8.	Borgpen	RC30-10-014
9.	Wielas	RC30ASM08
10.	Achterwiel (met ring) x2	
11.	Voorwiel (met ring) x2	RC30-12
12.	Bumper x 2	RC30-18
13.	Hark met clipbevestiging	RC32ASM10
14.	Borstel met clipbevestiging	
15.	Drainage filterplaat	RC30ASM09
16.	Afvoeropening klep	
17.	Zuigmond klep	
18.	Vloerwisser x 4	RC30-10-012
19.	Vlotter	R35-13
20.	Haak (met V-clip) voor uitschuifbare steel	RC30-16
21.	Laadstekker	RC26-17
22.	Adaptor	RC30-17-002 (EU) RC30-17-002/US (USA) RC30-17-002/AU (Australië/Nieuw - Zeeland)

De robot heeft een water-aandrijfmondstuk aan de onderkant van de bovenste zwenkkop. Het water wordt eerst door de zuigmond aan de onderkant van de robot opgezogen, stroomt door de filter en verlaat het toestel vervolgens via het aandrijfmondstuk. Het water dat uit het mondstuk stroomt stuwt de robot voorwaarts. Zodra de robot tegen een obstakel zoals een zwembadwand stopt, roteert de zijklep en draait de zwenkkop 180°. De robot begint in de omgekeerde richting te bewegen. De robot beweegt doorgaans volgens een recht patroon in één richting en volgens een boogpatroon in de andere richting. Terwijl de robot beweegt, zuigt hij het vuil van de bodem van het zwembad op en slaat het op in het filterbak.

AAN DE SLAG

De batterij laden

BELANGRIJK: Laad de robot volledig op (ongeveer 6 uur) voor u hem voor het eerst gebruikt.

WAARSCHUWING!

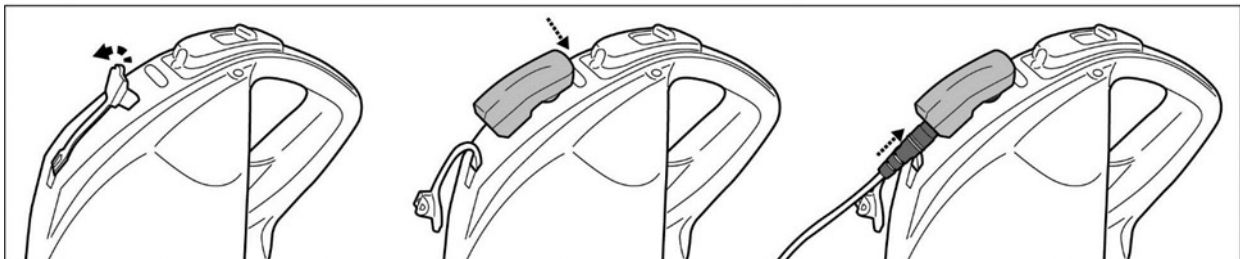
- Gebruik alleen de originele externe adapter en meegeleverde laadstekker.
- Zorg ervoor dat de robot en de laadpoort schoon en droog zijn voordat u de robot installeert en oplaadt. (TIPS: Wrik de beschermkap open en gebruik een wattenstaafje om de laadpoort en de laadpennen te drogen.)
- De laadpennen zijn waterdicht. Waterresten in de poort en rond de pennen kunnen echter leiden tot het natuurlijk voorkomen van vlekken (een bijproduct van een chemische reactie tussen water en elektrische stromen). Anders kunnen de vlekken worden verwijderd door licht te schrobben met een wattenstaafje dat in citroensap of azijn is gedrenkt.
- Zorg ervoor dat de robot uitgeschakeld is door de schakelaar vóór het laden in de UIT-positie te schuiven.

1. Leg de eenheid op een vlakke ondergrond. Schuif de schakelaar in de UIT-positie.

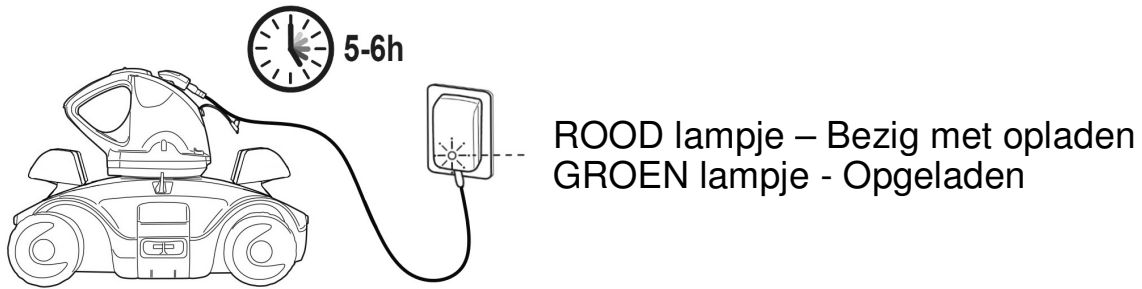


2. Wrik de beschermkap open. Lijn de laadstekker uit en bevestig deze aan de laadpoort.

WAARSCHUWING! Zorg ervoor dat u de laadstekker niet omkeert en dat zowel de laadstekker als de laadpoort schoon en droog zijn voordat u ze oplaadt. **TIPS:** Gebruik een wattenstaafje om de laadpoort en de pennen te drogen. Sluit de laadkabel van de externe adapter aan op de laadstekker.



3. Steek de externe adapter in een stopcontact. Het indicatielampje op de externe adapter wordt rood als het laden begint. Het indicatielampje op de externe adapter wordt groen wanneer de robot is opgeladen.



- Koppel de externe adapter onmiddellijk los van de voedingsbron als u een van de volgende omstandigheden opmerkt:
 - Onaangename of ongewone geur
 - Oververhitting
 - Vervorming, barsten, lekken
 - Rook

4. Zodra het laden voltooid is, koppelt u de externe adapter los van de voedingsbron en verwijdert u de laadstekker uit het toestel en de externe adapter.

Normaal kan de robot tot 90 minuten gebruikt worden indien hij volledig opgeladen is.

OPMERKING: Maak de filterbak regelmatig schoon. Opgehoopt vuil in de filterbak zal de werking van de motor overbelasten en de werkingstijd bijgevolg verkorten.

OPMERKING: De herlaadbare lithium-ionbatterij wordt beschouwd als een verbruiksgoed. Ze heeft een beperkte levensduur en zal na verloop van tijd geleidelijk aan oplaadcapaciteit verliezen. De werkingsduur van de robot vermindert daarom geleidelijk na het herhaaldelijk opladen en ontladen tijdens de levensduur van het product.

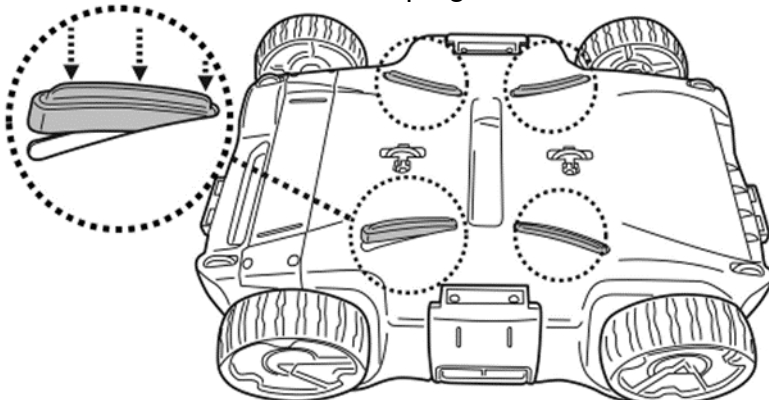
Wanneer de levensduur van de batterij ten einde is, raadpleeg dan het hoofdstuk "DE BATTERIJ WEGWERPEN" voor instructies voor het wegwerpen van de batterij en het vervangen van de zwenkkop.

OPMERKING: Laat de robot ongeveer 30 tot 40 minuten rusten alvorens hem opnieuw te laden.

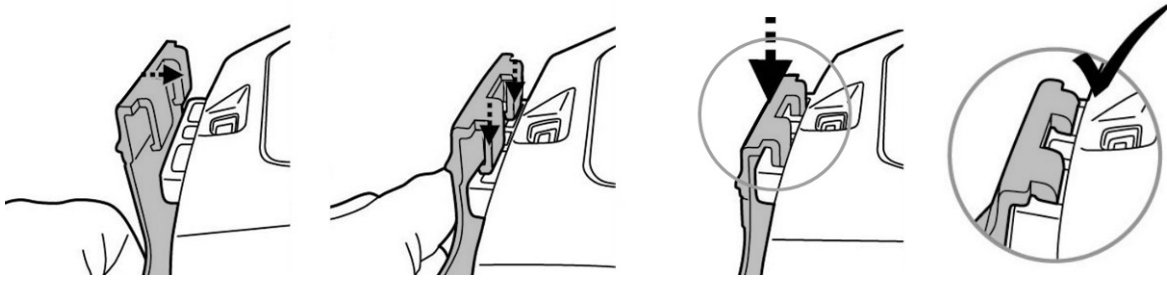
Vorbereitung

Montage Vloerwissers

Steek alle wissers in de inkepingen aan de onderkant van de robot



Hark/ Borstelmontage met clipbevestiging



TIPS: Druk op de twee haakuiteinden om de hark/borstel te verwijderen



BELANGRIJKE OPMERKING:

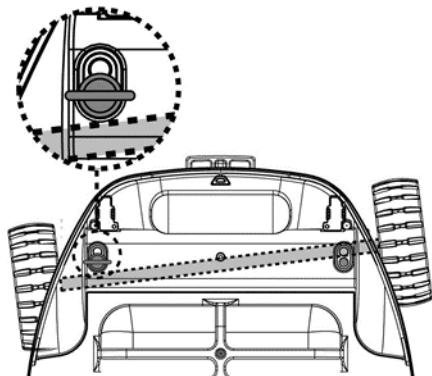
1. Verwijder de hark/borstel na gebruik. Anders kunnen ze vervormen door constante compressie en kunnen ze de robotbeweging onderbreken.
2. Het is niet aan te raden om tegelijkertijd een hark of borstel en een vloerwisser te gebruiken, omdat dit de robotbeweging kan vertragen en onderbreken.

Afstelling van Traject Borgpen

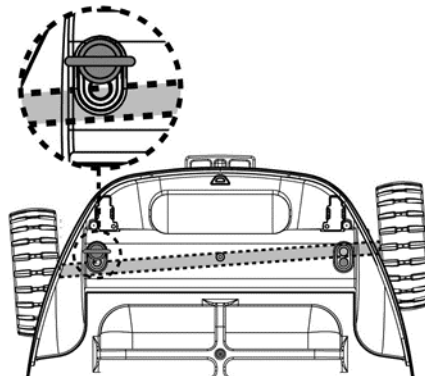
Het traject van de robot is afhankelijk van de positie van de pin die de as aan een bepaalde hoek bevestigt. Er zijn twee borgpenen: de rechter is vastgezet en moet onaangeroerd blijven. Wijzig alleen de positie van de pin aan de linkerzijde.

Aanbevolen instellingen:

Voor zwembaden waar de kortste lengte 3 meter of minder is. (Fabrieksinstelling)



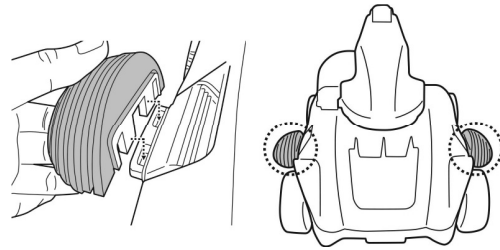
Voor zwembaden waar de kortste lengte 3 meter of meer is.



Bumper

De bumper is optioneel en wordt gebruikt in de volgende situaties:

Als de robot de neiging heeft om de omtrek van een rond zwembad te volgen, wordt dit patroon geëlimineerd door aan elke zijde van de robot een bumper te bevestigen.



Voorbereiding van het Zwembad

-- Verwijder stenen, wortels of metaal corrosie in contact met de onderkant van de liner voordat u de robot gebruikt. Laat u indien nodig bijstaan door een gekwalificeerde professional.

- Als de liner broos, beschadigd of gekreukt is, neem dan contact op met een gekwalificeerde professional om de nodige reparatie uit te voeren of om de liner te vervangen voordat u de robot gebruikt.

- Verwijder de zwembadladder, oppervlakte skimmer en andere drijvende voorwerpen uit het zwembad aangezien ze de beweging van de vlotter van de robot en bijgevolg ook de beweging van de robot kunnen belemmeren.

- Als u een zwembad met zout water gebruikt, zorg er dan voor dat al het zout opgelost is voordat u de robot in het water plaatst.

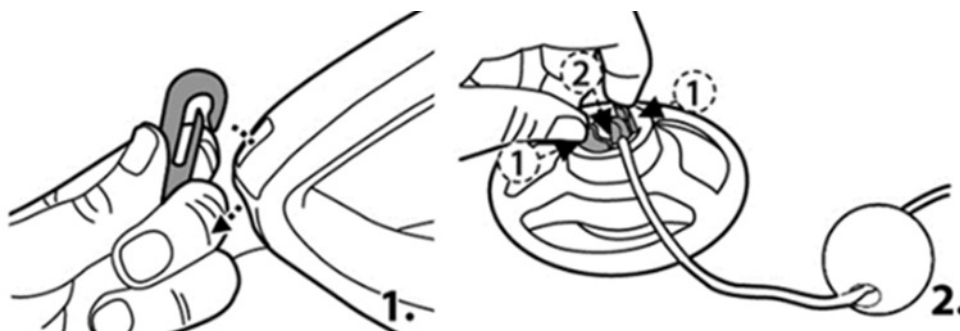
BELANGRIJKE OPMERKING: Schakel het filtratiesysteem (zoals aangegeven in uw filterhandleiding), ten minste 15 minuten uit voordat u de robot in gebruik neemt.

WERKING

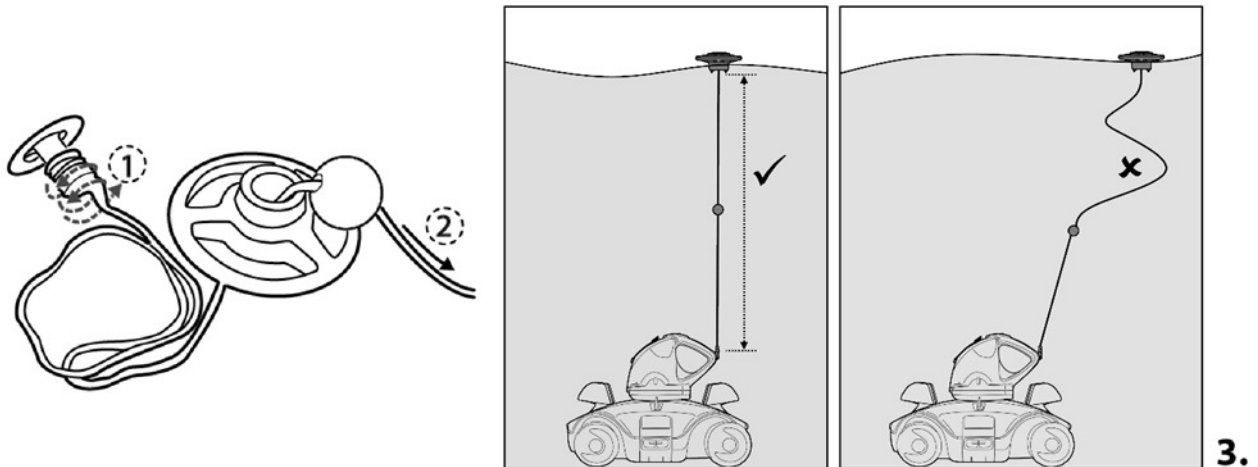
WAARSCHUWING!

- Zorg ervoor dat de robot eerst uitgeschakeld is.
- Zorg ervoor dat de laadstekker is losgemaakt en dat de laadpoort is aangesloten met de beschermkap voordat de robot in het water wordt gezet.

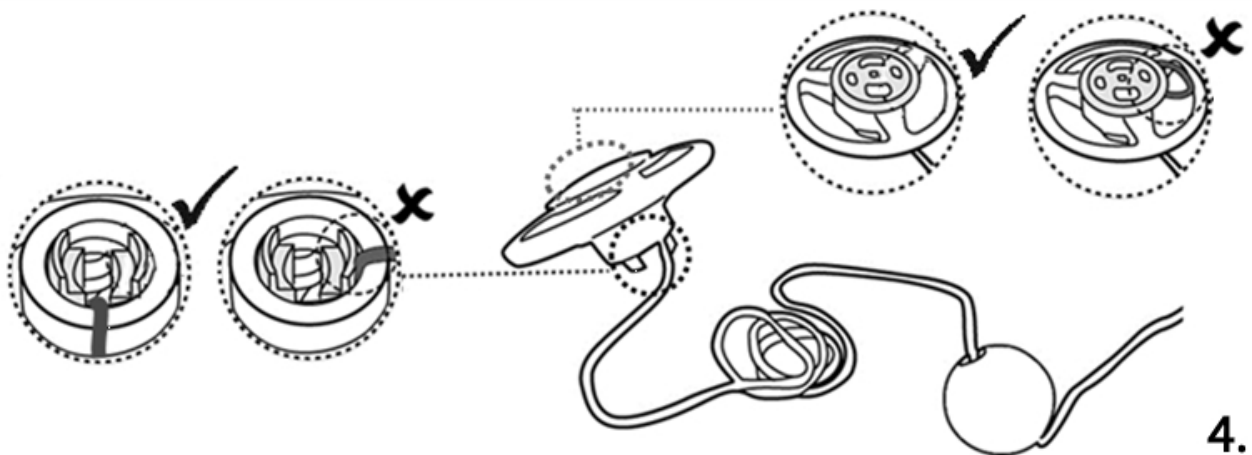
1. Breng de robot naar de rand van uw zwembad. OPMERKING: Plaats de robot alleen vanaf de zijwand (niet de hoek) in het zwembad en zorg ervoor dat hij naar buiten gericht is. Bevestig de haak van de vlotter aan het handvat van de zwenkkop. Druk op de zijclip om de steel uit de vlotter te halen.



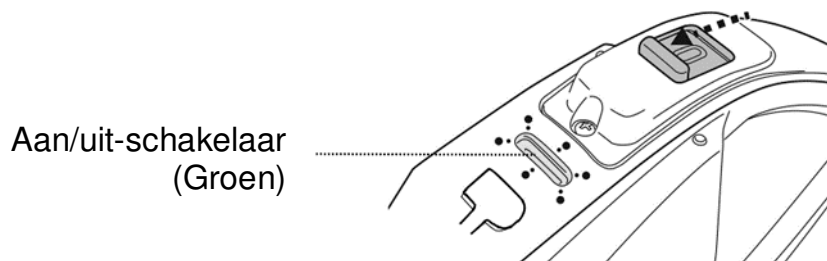
Maak het ophaalkoord van de steel los tot een lengte die gelijk is aan de afstand tussen het handvat van de robot en het waterniveau. **OPMERKING:** Overtollige lengte kan het touw doen knikken en zo de prestaties beïnvloeden.



Als de gewenste lengte is bereikt, houdt u deze vast door het koord op de steel te klemmen en weer aan de vlotter te bevestigen door op de zijclip te drukken zoals aangeduid op de afbeelding.



2. Als de robot is uitgeschakeld, dompel hem dan onder in het zwembad en schud hem een paar keer zachtjes om de afvoer van de lucht te vergemakkelijken. Overtollige lucht in de behuizing kan leiden tot een onregelmatig gedrag van de zwenkkop (d.w.z. het herhaaldelijk draaien in het zwembad gedurende enkele minuten).



3. Schuif de stroomschakelaar op "ON" (terwijl de robot nog ondergedompeld is) - het controlelampje gaat aan en activeert de motor automatisch (waterniveau bedekt de sensoren aan de bovenkant van de zwenkkop). Laat de robot naar de zwembadbodem zinken en observeer de eerste voorwaartse en achterwaartse bewegingen over de zwembadbodem. Als hij langs de zwembadwand loopt in plaats van loodrecht, haalt u

hem op en zet u hem opnieuw in, terwijl u ervoor zorgt dat de voor-/achterzijde naar de zwembadwand is gericht.

Het controlelampje begint te knipperen wanneer het resterende batterijniveau minder dan 10 minuten bedraagt.

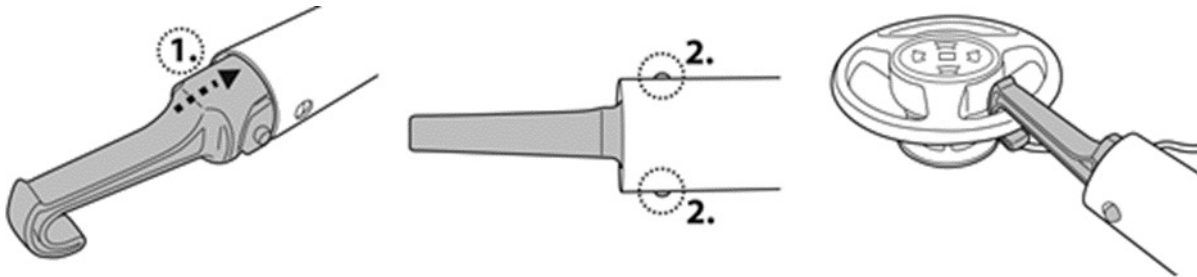
Controlelampje:

- Geen licht - Uitgeschakeld / geen stroom
- Licht - Ingeschakeld
- Knipperend lampje - De batterijstroom is binnen 10 minuten op.

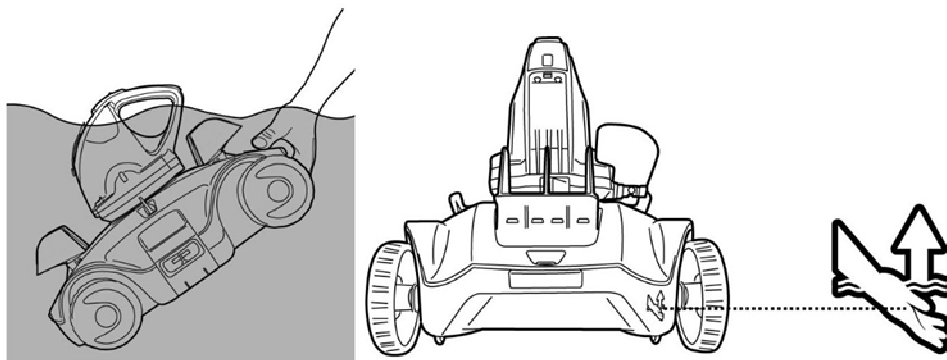
OPMERKING:

- Probeer nooit contact te maken met beide watersensoren met iets anders dan water.

4. Om de robot uit het zwembad te halen, bevestigt u de haak aan een uitschuifbaar steel (niet meegeleverd) en gebruikt u deze om de vlotter op te halen, als u deze niet met uw handen kunt ophalen.



Zodra de robot het wateroppervlak bereikt, zoekt u de greep die zich onder de basis bevindt en is aangegeven met het handsymbool (zie onderstaand schema) om het ophalen uit het zwembad te vergemakkelijken. Zorg ervoor dat u de reiniger altijd vanaf dit punt vastpakt om te voorkomen dat er tijdens het ophalen vuil in het zwembad valt.



5. Schuif de schakelaar in de UIT-positie. Spoel de robot na elk gebruik met schoon water. Gebruik GEEN schoonmaakmiddelen.

6. Droog de laadpoort en de pennen grondig (TIPS: Gebruik een wattenstaafje om ze te drogen)

Opmerking: Als uw zwembad zeer vuil is, is het voor de efficiëntste reiniging raadzaam de filterbak (in de robot) na een eerste werking van 30 minuten of telkens als de beweging van de robot merkbaar vertraagt, leeg te maken. Plaats de robot (met de leeggemaakte filterbak) dan terug in het zwembad en laat hem de overblijvende cyclus afwerken.

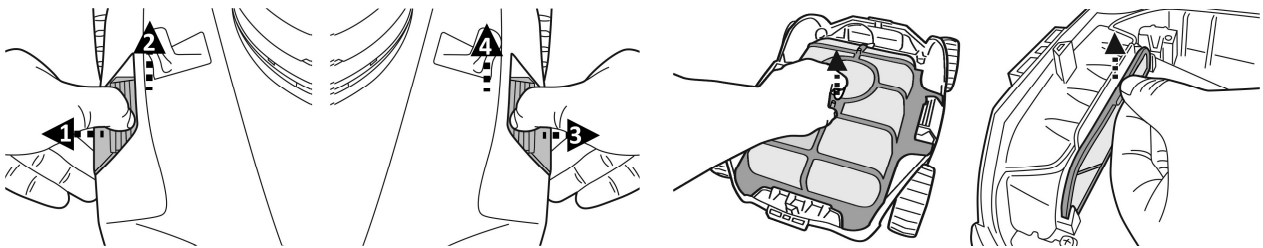
DE FILTERBAK LEEGMAKEN

WAARSCHUWING! Als u de robot zonder een filterdeksel gebruikt, **VERVALT** de garantie.

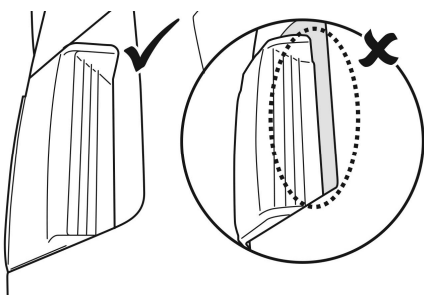
Om de reinigingsefficiëntie te maximaliseren, dient u de filterbak en het filterdeksel voor en na elk gebruik schoon te maken.

OPGELET! Voordat u de filterbak reinigt, moet u zich ervan vergewissen dat de robot **UIT** staat.

1. Plaats de reiniger op een vlakke ondergrond. Trek de ene zijclip naar buiten om de ene kant van het deksel op te tillen en herhaal de stappen aan de andere kant om het volledige deksel op te tillen om het filterdeksel en de filterplaat bloot te leggen.



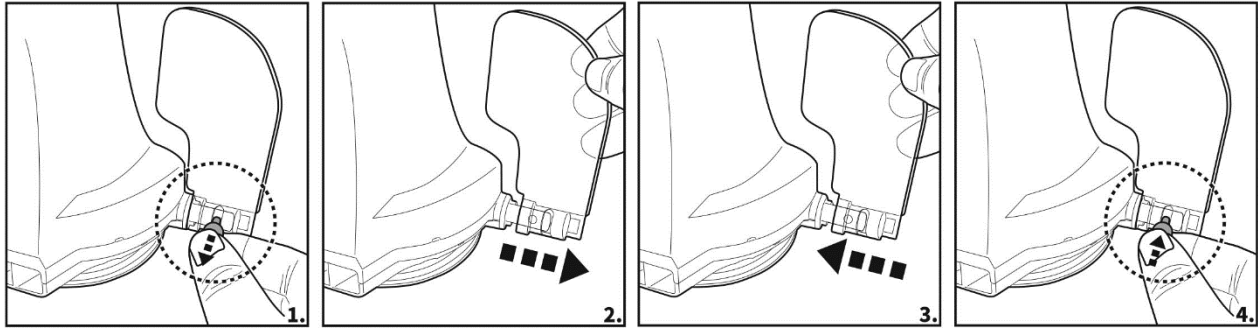
2. Verwijder het vuil uit de bak. Het is raadzaam het gaas van het filterdeksel en de drainage filterplaat met spatwater schoon te maken. Als dat niet volstaat, kunt u een zachte borstel gebruiken om het vuil voorzichtig te verwijderen. Oefen **GEEN** druk uit op het gaas.
3. Zorg ervoor dat na het schoonmaken zowel de drainage filterplaat als het filterdeksel terug worden aangebracht en de bovenkap van de behuizing met de zijklemmen bevestigd wordt. De zijklemmen moeten volledig in de reiniger klemmen door ze naar binnen te drukken.



OPGELET!

- Vervang een beschadigd filterdeksel onmiddellijk door een nieuw voor u de bodemzuiger weer gebruikt.
- Vervang een beschadigde vlotter onmiddellijk door een nieuwe vóór de volgende handeling
- Vervang een beschadigde zijklep onmiddellijk door een nieuwe vóór de volgende handeling

Vervanging van de zijklep



ONDERHOUD EN OPSLAG

OPMERKING:

1. Zorg ervoor dat u de plaatsen rond de laadpoort en de watersensoren na elk gebruik reinigt en droogt om de vorming van vlekken te voorkomen (bijproduct van een natuurlijke chemische reactie tussen elektrische stroom en water). Anders kunnen de vlekken worden verwijderd door licht te schrobben met een in citroensap of azijn gedrenkt wattenstaafje.
2. De batterij zal ontladen tijdens de opslag. Laad de robot tot ongeveer 30% - 50% van de laadcapaciteit op voordat u hem opbergt.
3. Herlaad de batterij minstens om de drie maanden wanneer hij niet in gebruik is.
 - Haal de externe adapter uit het stopcontact en koppel vervolgens de laadstekker los van de externe adapter en de robot.
 - Verwijder alle toebehoren van de robot. Spoel indien nodig de robot en toebehoren met zuiver water. Gebruik GEEN schoonmaakmiddelen.
 - Laat het water uit de robot lopen alvorens hem te bewaren.
 - Gebruik een vochtige doek om de robot en toebehoren schoon te maken en af te drogen.
 - Bewaar ze in een goed verluchte ruimte, beschermd tegen zonlicht, hitte, ontstekingsbronnen en zwembadchemicaliën en buiten het bereik van kinderen. De omgevingstemperatuur moet 10°C – 25°C bedragen. NB: Bij een hogere temperatuur is het mogelijk dat de batterij minder lang meegaat.

WAARSCHUWING!

U mag de zwenkkop in geen geval zelf demonteren om de interne onderdelen te vervangen. Hierdoor zou de garantie komen te vervallen, zou u zich kunnen blootstellen aan mogelijke gevaren en zou u het apparaat en andere elementen kunnen beschadigen.

OPGELET!

- Overdreven hitte kan schadelijk zijn voor de batterij en de levensduur van uw robot verkorten.
- Raadpleeg uw handelaar voor het vervangen van de batterij als het volgende gebeurt:
 - De batterij lijkt beschadigd of laadt niet volledig op.
 - De werkingstijd van de batterij is aanzienlijk korter. Noteer hoelang de batterij meegaat de eerste keren dat u het toestel gebruikt (na een volledige oplaadbeurt). Die duur kan dienen als referentie voor de werkingstijd van oudere batterijen.
- Verwijder de batterij uit de robot voor u deze wegwerpt.

- Koppel de robot los van het elektriciteitsnet wanneer u de batterij verwijdert.
- Voer de batterij veilig af, in overeenstemming met de plaatselijke voorschriften of reglementen.

NB: wanneer de batterij niet correct wordt onderhouden, is het mogelijk dat zij minder lang meegaat en minder goed werkt.

DE BATTERIJ WEGWERPEN(Uit te voeren door een geautoriseerd technicus)

Uw robot is uitgerust met een onderhoudsvrije oplaadbare lithium-ionaccu, die correct moet worden afgevoerd. Recycling is verplicht; neem contact op met de plaatselijke overheid voor meer informatie.

WAARSCHUWING! Probeer nooit een accu te demonteren.

- Verwijder alle persoonlijke voorwerpen zoals ringen, armbanden, halskettingen en horloges voordat u de accu van de robot loskoppelt.
- Een batterij kan voldoende kortsluitstroom veroorzaken om een ring of dergelijke te versmelten met het metaal, met ernstige brandwonden als gevolg.
- Draag volledige oogbescherming, handschoenen en beschermende kleding wanneer u de accu verwijdert.
- Raak de kabels niet aan en zorg ervoor dat ze geen metalen voorwerpen raken, want dat kan vonken veroorzaken en/of kortsluiting in de batterij.
- Rook niet en vermijd vonken of vlammen in de nabijheid van de batterij of de robot.
- Stel de batterij niet bloot aan vuur of hitte, anders kan hij ontploffen.

OPGELET!

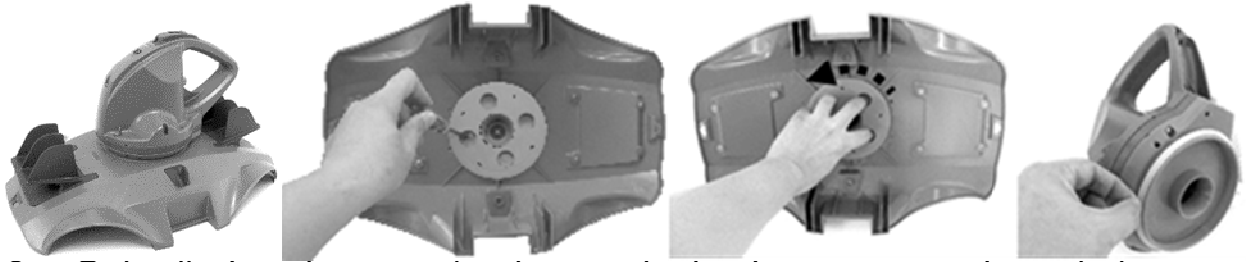
Wanneer er vloeistof uit de batterij lekt, is deze beschadigd. Raak de vloeistof niet aan en steek de beschadigde batterij in een plastic zak.

- Als de gelekte vloeistof toch in contact komt met huid of kleding, moet u deze onmiddellijk afwassen met zeep en water.
- Als de gelekte vloeistof in contact komt met de ogen: de ogen onmiddellijk spoelen met stromend water gedurende minstens 15 minuten, zonder te wrijven. Raadpleeg indien nodig een arts.

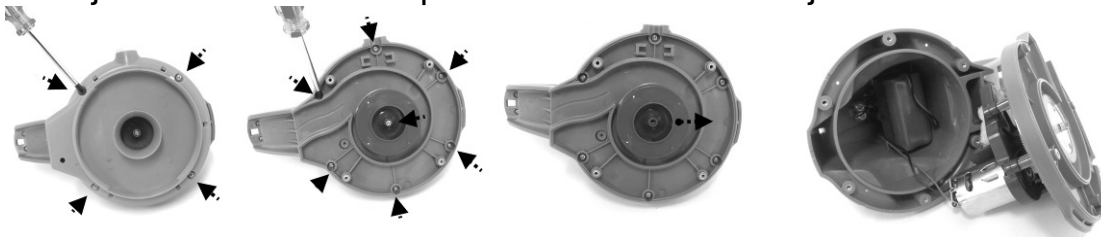
Hoe de accu te verwijderen, enkel voor het weggooien van de batterij (Uit te voeren door een geautoriseerd technicus)

Aanbevolen werktuigen (niet bijgeleverd): Schroevendraaier.

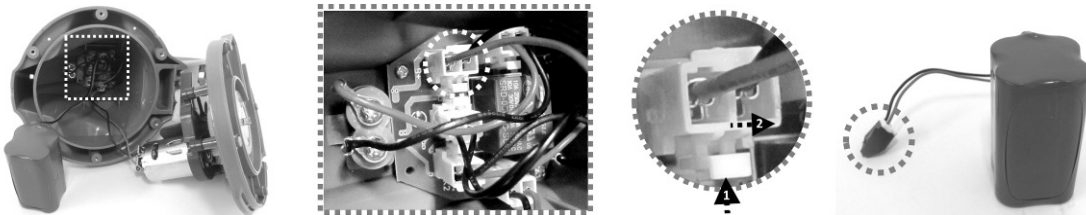
1. Volg de instructies van de handleiding in de rubriek “DE FILTERBAK LEEGMAKEN” om de bovenkap (voorgemonteerd met de zwenkkop) los te maken. Plaats het deksel ondersteboven en gebruik de schroevendraaier om de schroef op de onderste borgplaat los te maken. Draai de onderste borgplaat tegen de wijzers van de klok in om de zwenkkop te ontgrendelen. Verwijder de zwenkring.



2. Gebruik de schroevendraaier om de 4 schroeven aan de onderkant van de kop los te schroeven om eerst de bodemplaat te verwijderen. Gebruik de schroevendraaier om alle schroeven op de basis los te draaien, zoals getoond wordt in de afbeelding. Verwijder de rotor, wrik de basis los en verwijder ze om tot de kop aan de binnenkant vrijkomt.



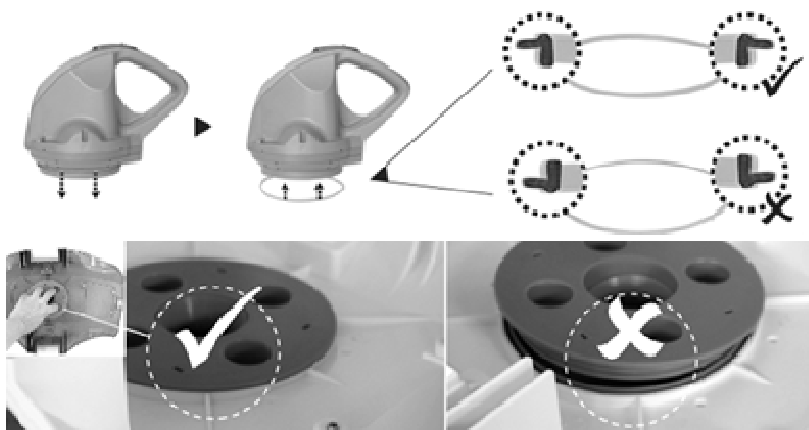
3. Verwijder de accu om bij de PCBA te kunnen. Druk op de clip van de connector en trek de connector weg om de voedingskabel van de batterij los te koppelen. NB: Wikkel onmiddellijk isolatieband rond de connector om kortsluiting tussen beide kabeluiteinden te voorkomen.



PROBLEMEN OPLOSSEN

Probleem	Mogelijke oorzaken	Oplossing
De robot begint niet te werken onder water	Watersensoren met vlekken	Gebruik een wattenstaafje gedrenkt in citroensap of azijn om de vlekken te reinigen en te verwijderen.
De robot zuigt geen vuil op	De batterij is bijna leeg.	Laad de robot opnieuw op.
	De rotor is geblokkeerd.	Schakel de robot uit en kijk in de opening onder de zwenkkop of er een groot stuk vuil in de rotor steekt. Neem indien nodig contact op met uw handelaar voor verdere instructies. WAARSCHUWING! Zorg ervoor dat de robot uitgeschakeld is wanneer het toestel wordt onderhouden.
	De zuigmond is verstopt	Verwijder verstopte voorwerpen uit de zuigmond.
	De rotor is defect.	Neem contact op met je handelaar voor vervanging.
De robot is in het midden van het zwembad gestopt maar de zwenkkop draait nog	De filterbak is vol	Maak zowel de filterbak als het filterdeksel schoon.
	De robot is gestopt door een obstakel of grote plooien in de liner van het zwembad.	Controleer of er iets is dat de reiniger belemmert. Verwijder het obstakel.
De robot wordt gehinderd door de aanzuiging van de hoofdafvoer van de zwembadbodem.	De robot wordt gehinderd door de aanzuiging van de hoofdafvoer van de zwembadbodem.	Schakel het filtratiesysteem uit zoals aangegeven in de handleiding.
	De zwenkkop draait herhaaldelijk 360 graden	Lucht opgesloten in de robot
De robot dekt niet het hele zwembad	De filterbak is vol	Maak de reiniger schoon
	De werkingstijd is korter dan verwacht	Maak de filterbak schoon en laad de robot opnieuw op gedurende 6 uur.
	De bewegingsrichting is onderbroken door de watercirculatie gegenereerd door de filterinstallatie	Schakel het filtratiesysteem (zoals aangegeven in de filterhandleiding) ten minste 15 minuten voor het gebruik van de robot uit.
	Het wiel zit vast	Verwijder het vuil van het wiel.
	De positie van de wielas is niet goed ingesteld / bumper is vereist	Volg de instructies om de wielas af te stellen en de bumper aan te brengen.
	De robot beweegt langs de zwembadwand van een rond zwembad	Installeer de bumpers zoals aangegeven in de handleiding.
	De hark / borstel is vervormd	Leg ze een paar uur in de zon om ze recht te zetten. Vervang ze indien nodig door een nieuwe hark/borstel.
	De hark / borstel en de vloerwisser worden	Verwijder de vloerwisser of de hark & borstel.

	gelijktijdig gebruikt	
	Algen maken de bodem van het zwembad glad waardoor de robot in cirkels beweegt.	Schrob de zwembadbodem en robotwielen schoon om de algen te verwijderen.
De robot beweegt zich langs de zwembadwand	De positie van de wielas is niet goed ingesteld / bumper is vereist	Volg de instructies om de wielas af te stellen en de bumper aan te brengen.
De robot zit ingesloten in de smalle ruimte van het ingegraven zwembad	Er is niet voldoende ruimte voor de robot om in een andere richting te draaien	Volg de aanwijzingen om een bumper op beide uiteinden van de robot te bevestigen.
Robot beweegt langzaam of helemaal niet.	Het vuilniscompartiment is vol of het filterdeksel is verstopt.	Reinig het vuilniscompartiment. Spoel het scherm met water om kleine deeltjes te verwijderen. Als een borstel nodig wordt geacht, gebruik dan een zachte borstel om het scherm voorzichtig te reinigen. Opmerking: zorg ervoor dat het filterdeksel op zijn plaats zit vóór het volgende gebruik.
	De zuigmond is verstopt	Verwijder verstopte voorwerpen uit de zuigmond
	De hark / borstel is vervormd	Leg ze een paar uur in de zon om ze recht te zetten. Vervang ze indien nodig door een nieuwe hark/borstel.
	De hark / borstel en de vloerwisser worden gelijktijdig gebruikt	Verwijder de vloerwisser of de hark & borstel.
	De rotor is vastgelopen	Schakel de robot uit en controleer het gat onder de zwenkkop om te zien of de rotor vastzit door groot vuil. Neem indien nodig contact op met uw dealer voor verdere instructies. WAARSCHUWING! Zorg ervoor dat de robot uitgeschakeld is voordat het apparaat wordt onderhouden.
De zwenkkop draait niet of draait merkbaar trager	De zijklep komt niet omhoog.	Controleer en verwijder het vuil dat eventueel de beweging van de klep belemmert.
	De onderkant van de zwenkkop is vastgelopen.	Maak de zwenkkop en de afvlakring los volgens de instructies in het hoofdstuk " De accu verwijderen" uit de handleiding, en: <ul style="list-style-type: none"> - Verwijder vastzittend vuil - Controleer de afvlakring op mogelijke beschadigingen en slijtage. Vervang indien nodig door een nieuwe ring - Controleer of de afvlakring en bodemplaat correct geïnstalleerd zijn (zie onderstaande schema's)



Er komt vuil uit de robot	De klep van de zuigmond (aan de onderkant van de reiniger) is beschadigd	De klep van de zuigmond werkt als een deur om te vermijden dat het vuil uit de filterbak ontsnapt. Neem contact op met uw handelaar voor reserveonderdelen en instructies.
	Verwijder verstopt vuil uit de zuigmond.	Het vuil zit verstopt bij de zuigmond en voorkomt dat de klep zich sluit.
	De drainage filterplaat is beschadigd of is niet op haar plaats	Zorg ervoor dat de drainage filterplaat op haar plaats is en vervang ze indien nodig door een nieuwe voordat u de robot opnieuw gebruikt.
Het vuil ontsnapt via het filterdeksel	Het gaas van het filterdeksel is beschadigd	Vervang deze door een nieuw filterdeksel van uw dealer.
De vlotter zinkt	Beschadigde vlotter en waterlekkage	Vervang door een nieuwe vlotter van uw dealer.
Ophaalkoord is geknikt	De lengte van het ophaalkoord is te lang	Stel de lengte in volgens de instructies in de handleiding
Duur van de reinigingscyclus is korter dan vermeld	De batterij is niet volledig opgeladen	Laad de robot minstens 6 uur op. OPMERKING: als er vlekken op de laadpennen worden aangetroffen, verwijder deze dan met behulp van een in citroensap of azijn gedrenkt wattenstaafje.
De robot kan niet worden opgeladen / heropgeladen	De batterij is beschadigd.	Neem contact op met uw handelaar om de batterij te laten vervangen. WAARSCHUWING! Open de robot NIET om de batterij zelf te vervangen. Dat kan ernstige of dodelijke verwondingen veroorzaken en annuleert de garantie.
	De laadstekker is niet goed aangesloten op de externe adapter en robot.	Zorg ervoor dat de laadstekker goed en volledig aangesloten is op de externe adapter en robot. Raadpleeg de handleiding.
	De externe adapter is defect.	Neem contact op met uw handelaar om de adapter te laten vervangen. WAARSCHUWING! Het gebruik van de verkeerde externe adapter kan leiden tot beschadiging van de robot / batterij en het vervallen van de garantie.
Milieuprogramma's, Europese AEEA-richtlijn		
	Gelieve de regelgeving van de Europese Unie na te leven en zo het milieu te beschermen. Voer afgedankte elektrische apparatuur af naar een speciaal gemeentelijk inzamelpunt dat elektrische en elektronische apparatuur correct recyclet. Werp het niet weg bij ongesorteerd afval. Haal eventuele verwijderbare batterijen uit de afgedankte apparatuur.	
	© 2020 Kokido Development Ltd. Alle rechten voorbehouden. Niets van dit document mag worden vermenigvuldigd of doorgegeven in welke vorm of op welke wijze dan ook, zij het elektronisch, mechanisch, op fotokopie, opgenomen of op enige andere wijze, zonder de voorafgaande schriftelijke toestemming van Kokido Development Ltd. (V1)	20009011

Neem contact op met onze klantenservice als u een digitale kopie van deze handleiding wenst: customerservice@kokido.com

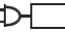
BEWAAR DEZE HANDLEIDING

AVVERTENZE DI SICUREZZA & ISTRUZIONI

Le informazioni contenute in questo Manuale di Istruzioni vi aiuteranno a far funzionare l'oggetto in sicurezza, a proteggere voi stessi e gli altri da pericoli e a prevenire danni al dispositivo e ad altri beni.

CONSERVARE LE PRESENTI ISTRUZIONI

AVVERTENZA!

- Questo non è un GIOCATTOLO. Tenere lontano dalla portata dei bambini questo robot e i suoi accessori.
- Non permettere mai ai bambini di mettere in funzionamento il prodotto.
- Il presente apparecchio non deve essere utilizzato da persone con ridotte capacità fisiche, sensoriali o mentali o se privi di esperienza e conoscenza, salvo siano soggetti a supervisione o se gli sono state fornite istruzioni inerenti all'uso dell'apparecchio da parte di un responsabile incaricato della loro sicurezza.
- Non è consentito ai minori di giocare con questo prodotto.
- Non è consentita ai minori la manutenzione e la pulizia del robot.
- Accertarsi che il robot sia completamente immerso nell'acqua prima di metterlo in funzione. Il livello di acqua minimo richiesto per il funzionamento del robot deve superare la sua testina girevole del robot. L'uso del robot quando non è immerso nell'acqua correttamente potrebbe danneggiare l'unità e rendere nulla la garanzia.
- La profondità massima di funzionamento in acqua è di 3 metri (10 piedi).
- Temperatura dell'acqua di funzionamento: da 5°C (41°F) a 35°C (95°F)
-  Unità di alimentazione rimovibile (adattatore esterno).
- Il robot dovrà essere ricaricato con l'adattatore esterno e la spina di ricarica fornito con questo prodotto.
- Per ricaricare la batteria, utilizzare solo l'unità di alimentazione rimovibile (numero modello adattatore esterno: DSS18-0842000-B / DSS18-0842000-C / DSS18-0842000-D/ LX084200) fornita con questo robot per caricare la batteria.
- Collegare l'adattatore esterno a una presa elettrica tramite il dispositivo differenziale (RCD)/ un interruttore di messa a terra (GFCI). In caso di dubbi, consultare un elettricista professionista qualificato.
- Non usare il robot se si rileva qualche danno.
- Sostituire le parti danneggiate con altre dotate dell'apposita certificazione che è stata fornita dal distributore o fabbricante.
- Spegnerne il robot, scollegare l'adattatore esterno dall'alimentatore, e scollegare l'adattatore esterno dalla spina di ricarica, prima di scollegare il robot dalla spina di ricarica.
- Scollegare il robot dall'alimentatore e accertarsi che il robot sia SPENTO prima di eseguire la manutenzione regolare come la pulizia del filtro, dell'anello levigante girevole, delle aree vicine ai sensori ad acqua e dei porti di ricarica.
- Non cercare di sostituire il pacchetto della batteria ricarica Li-on to replace

- the installed rechargeable Li-ion battery pack.
- NON maneggiare il robot , l' adattatore esterno e la spina di ricarica mentre è in carica con arti bagnati e senza scarpe.
 - Non utilizzare questo robot in presenza di persone e / o animali domestici nell'acqua.
 - NON usare il robot in assenza di filtro installato, in quanto la garanzia si annullerebbe.
 - Pericolo di intrappolamento da aspirazione: Questo robot genera aspirazione. Impedire che i capelli, il corpo o qualsiasi lembo dei vostri indumenti possa trovarsi a contatto con il foro di aspirazione del robot durante il suo funzionamento.
 - Non inserire mai parti del corpo, indumenti e altri oggetti nelle aperture e nelle parti mobili del robot.
 - NON utilizzare questo robot per raccogliere sostanze tossiche, infiammabili e liquidi combustibili (ad es. Benzina) in presenza di fumi esplosivi o infiammabili.
 - Non provare in nessun caso a smontare il robot né a sostituire la testa girevole per sostituire i componenti interni. Una simile azione renderebbe nulla la garanzia, esponendo l'utente a rischi potenziali e possibili danni al dispositivo e ad altri beni.
 - Non inserire mai le dita né altri oggetti per toccare la ventola.
 - La batteria integrata deve essere rimossa da un tecnico qualificato prima di essere scaricata.
 - Quest' robot contiene una batteria che dev'essere rimossa soltanto da personale qualificato.
 - L' robot deve essere disconnesso dall'alimentazione principale quando la batteria viene rimossa.
 - Per i dettagli relativi al riciclaggio / smaltimento della batteria, consultare la sezione "SMALTIMENTO DELLA BATTERIA" in questo manuale e contattare le autorità locali per ulteriori informazioni.
 - La batteria dev'essere smaltita in modo sicuro, secondo quanto stabilito dalle ordinanze e i regolamenti locali.
-
- Adattatore esterno e spina di ricarica :
 - Non usare mai l'adattatore esterno e la spina di ricarica per uso diverso dalla ricarica della batteria del robot fornita nella stessa confezione.
 - L'adattatore esterno e la spina di ricarica non devono essere usati all'aperto né esposti a pioggia, umidità, qualsiasi tipo di liquido o calore.
 - Il trasformatore (o adattatore esterno) dev'essere collocato fuori dalla zona 1
 - Mantenere l'adattatore esterno e la spina di ricarica fuori dalla portata dei bambini.
 - Non usare mai l'adattatore esterno e la spina di ricarica se si rileva qualsiasi tipo di danno.
 - NON manipolare l'adattatore esterno e la spina di ricarica con le mani bagnate.

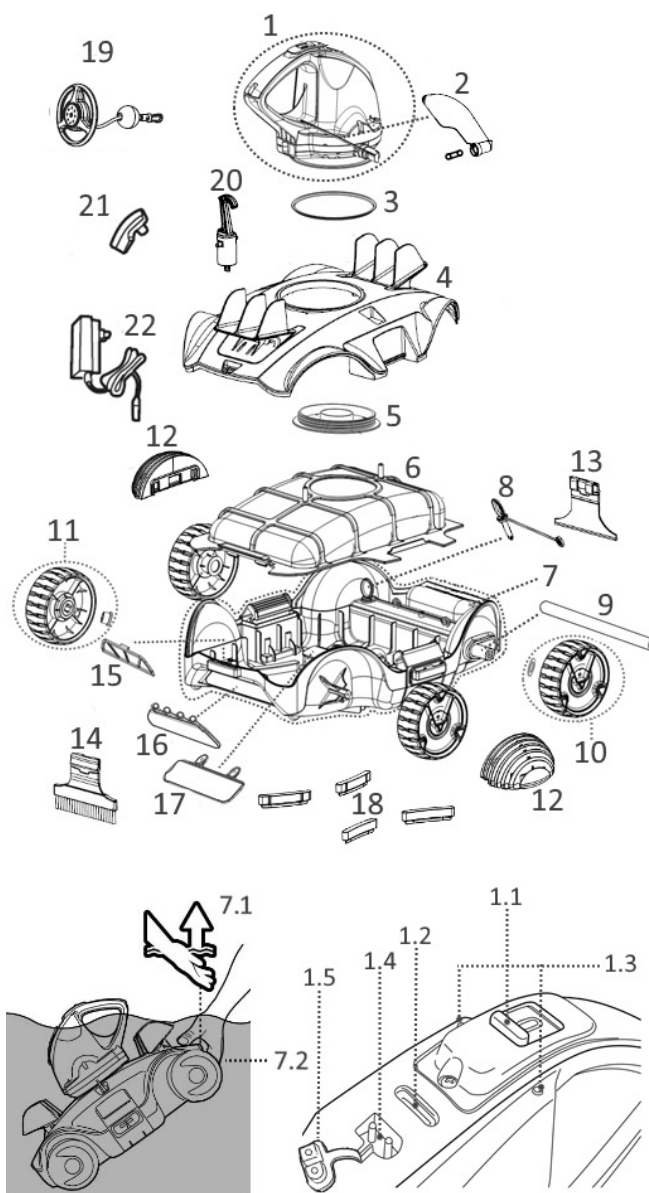
- Mantenere l'adattatore esterno scollegato dall'alimentazione quando non è in uso.
- Non cercare mai di sostituire l'adattatore esterno.
- Se il cavo di alimentazione dell'adattatore esterno è danneggiato, l'adattatore esterno deve essere sostituito dal produttore o dal suo agente di servizio per evitare rischi di qualsiasi genere.
- Accertarsi che il robot sia completamente asciutto prima della ricarica.

ATTENZIONE!

- Questo robot è disegnato solo per l'uso sott'acqua; non è un aspirapolvere adatto a tutti gli usi. NON cercare di usarlo per pulire elementi diversi dalla piscina.
- Usare gli accessori originali consegnati con questo prodotto.
- NON usare il robot subito dopo un trattamento shock in piscina. Si raccomanda di lasciare la piscina in circolazione per almeno 24-48 ore.
- Se usi una piscina con acqua salata, accertati che tutto il sale si sia dissolto prima di collocare il robot nell'acqua.
- Non è raccomandato l'uso del robot contemporaneamente a un altro pulitore automatico/pulitore.
- Evitare di aspirare oggetti taglienti con questo prodotto. Essi possono danneggiare il robot e il filtro.
- Per evitare danni all'adattatore esterno e alla spina di ricarica, non trasportare il robot dal cavo dell'adattatore esterno spina di ricarica né tirare la corda per disconnetterlo dalla fonte di alimentazione e dalla spina di ricarica.
- Caricare il robot all'interno in una zona pulita, asciutta con buona ventilazione e lontana dalla luce del sole.
- NON lasciare il robot in carica per oltre 10 ore.
- Se il robot non viene usato per un lungo periodo, disconnetterlo dalla spina di ricarica e usare un panno umido per pulirlo e asciugarlo, così come i suoi accessori. Accertarsi di portare la capacità della batteria del robot tra il 30% e il 50% prima di conservarlo. Conservarlo in un luogo ben ventilato lontano dalla luce del sole, dal calore, da fonti di calore, prodotti chimici per piscina e bambini. Ricaricare il robot ogni tre mesi.
- Tutte le azioni relative allo smontaggio del gruppo rotante (ad es., smaltimento della batteria) possono essere eseguite soltanto da un tecnico autorizzato.

Le avvertenze e precauzioni che precedono non sono intese a comprendere tutti i possibili rischi e/o lesioni. I proprietari di piscine/spa dovranno avere una speciale attenzione e usare il buon senso comune durante l'uso del prodotto.

COME FUNZIONA IL ROBOT



Numero di parti di ricambio

1.	Testina orientabile(con linguetta laterale)	Include galleggiante, anello levigante girevole, cappuccio protettivo e piastra a vite inferiore. RC30ASM07 RC30ASM07/US (USA)
1.1.	Interruttore a cursore	-----
1.2.	Luce di indicazione di potenza	-----
1.3.	Sensori dell'acqua	-----
1.4.	Presca di ricarica	-----
1.5.	Cappuccio protettivo (per porta di ricarica)	-----
2.	Linguetta laterale (con perno girevole)	RC26-07
3.	Anello levigante girevole	RC30-08-004
4.	Coperchio superiore	RC32ASM03
5.	Pulsante testina girevole-piatto	RC30-05-005
6.	Coperchio del filtro	RC30-09
7.	Base	RC32ASM04 RC32ASM04/US (USA)
7.1.	Indicatore grip	-----
7.2.	Grip (sotto della base del robot)	-----
8.	Perno di bloccaggio	RC30-10-014
9.	Asse della ruota	
10.	Ruota posteriore (con rondella) x2	RC30ASM08
11.	Ruota anteriore (con rondella) x2	RC30-12
12.	Paraurti x 2	RC30-18
13.	Rastrello ad aggancio	
14.	Spazzola ad aggancio	RC32ASM10
15.	Piatto del filtro di drenaggio	
16.	Patta esterna per drenaggio	RC30ASM09
17.	Patta della bocca di aspirazione	
18.	Spatola per pavimento x 4	RC30-10-012
19.	Galleggiante	RC35-13
20.	Gancio (con clip a V) per manico telescopico	RC30-16
21.	Spina di ricarica	RC26-17
22.	Adattatore	RC30-17-002 (EU) RC30-17-002/US (USA) RC30-17-002/AU (Australia / Nuova Zelanda)

Il robot è dotato di un ugello di propulsione dell'acqua sulla parte inferiore della testina girevole. L'acqua viene prima aspirata verso l'interno dalla bocca di aspirazione collocata sulla parte inferiore del robot, passa attraverso il filtro e viene quindi scaricata dall'ugello di propulsione. Il getto d'acqua spinge il robot in avanti. Quando il robot si ferma contro un ostacolo come la parete delle piscine, la linguetta laterale ruota e la testina girevole ruota di 180°. Il robot inizierà a muoversi nella direzione opposta. Il robot si muove in uno schema generale rettilineo e curvilineo nell'altra direzione. Durante il movimento, la parte inferiore del robot di aspirazione cattura i detriti nel filtro.

GUIDA INTRODUTTIVA

Ricarica della batteria

NOTA IMPORTANTE: Caricare completamente il robot (circa 6 ore) prima di usarlo per la prima volta.

AVVERTENZA!

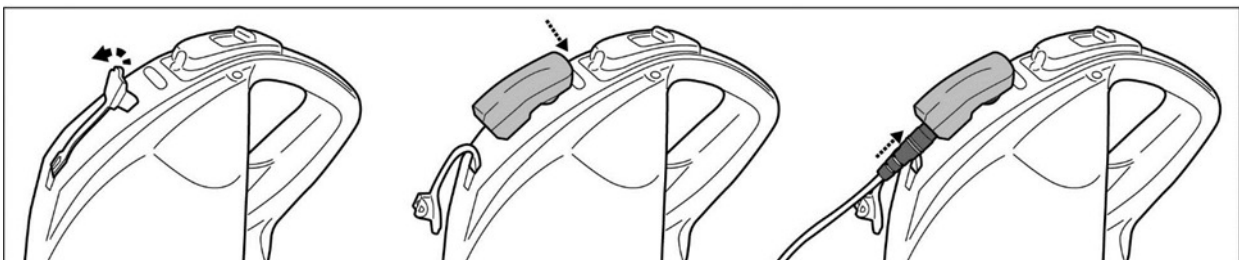
- Usare soltanto l'adattatore esterno originale e la spina di ricarica fornito.
- Accertarsi che il robot e la porta di carica sono puliti ed asciutti prima dell'installazione e della ricarica. (SUGGERIMENTI: aprire la copertura protettiva e utilizzare un cotton fioc per asciugare la porta di ricarica e i perni di ricarica)
- I pin di ricarica sono impermeabili. Tuttavia, i resti d'acqua nel porto e attorno ai perni potrebbero provocare la presenza naturale di macchie (un sottoprodotto della reazione chimica tra acqua e correnti elettriche). Altrimenti, le macchie possono essere rimosse strofinando leggermente con un batuffolo di cotone imbevuto di succo di limone o aceto.
- Accertarsi che il robot sia spento scorrendo l'interruttore verso la posizione OFF prima della ricarica.

1. Collocare l'unità su una superficie piana. Scorrere l'interruttore sulla posizione OFF.

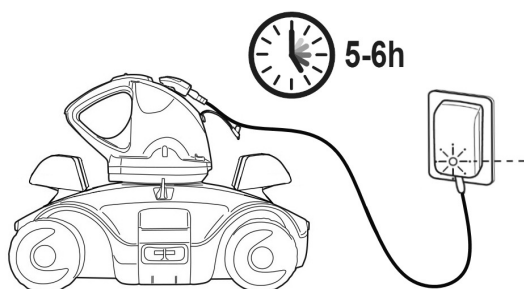


2. Fare leva sul cappuccio protettivo. Allineare e collegare la spina di ricarica alla porta di ricarica.

AVVERTENZA! Assicurarsi di non invertire la spina di ricarica e assicurarsi che sia la spina di ricarica e la porta di ricarica siano puliti e asciutti prima di caricarli. **SUGGERIMENTI:** utilizzare un batuffolo di cotone per asciugare la porta di ricarica e i perni. Inserire il cavo di ricarica dell'adattatore esterno nella spina di ricarica.



3. Collegare l'adattatore esterno alla fonte di alimentazione. L'indicatore luminoso sull'adattatore esterno diventa rosso una volta iniziata la ricarica. L'indicatore luminoso sull'adattatore esterno diventerà verde quando il robot è carico.



Luce ROSSA - Caricando

Luce VERDE - Caricato

- Spegnere e disconnettere immediatamente l'adattatore esterno dalla fonte di alimentazione se si verifica una delle seguenti condizioni:
 - Odore sgradevole o insolito
 - Calore eccessivo
 - Deformazione, rotture, fughe
 - Fumo

4. Quando la ricarica è completa, disconnettere l'adattatore esterno dalla fonte di alimentazione e scollegare la spina di carica dall'adattatore esterno e dall'unità.

Normalmente, il robot può funzionare fino a 90 minuti con una ricarica completa.

NOTA: Pulire regolarmente il vano detriti. Detriti eccessivi all'interno del vano detriti aumentano il carico per il funzionamento del motore e di conseguenza riducono la durata operativa.

NOTA: La batteria ricaricabile agli ioni di litio è classificata come un materiale di consumo. Ha una vita limitata e perde gradualmente la propria capacità di ricarica. Per questo motivo, il tempo di funzionamento del robot si ridurrà gradualmente dopo una serie di processi di carica-scarica nel corso della vita del prodotto.

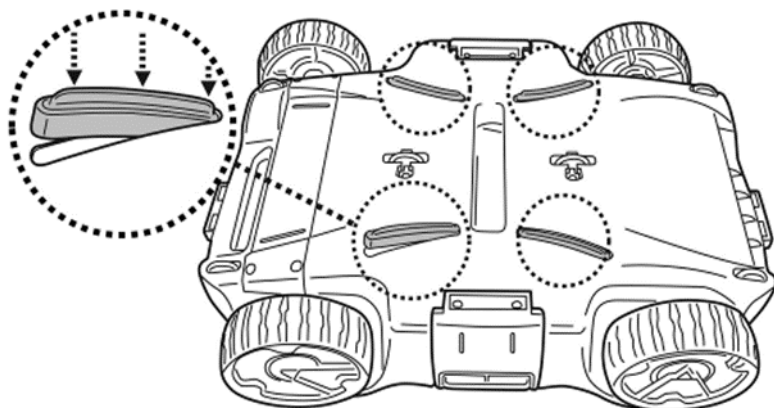
Una volta terminata la vita utile della batteria, leggere la sezione "SMALTIMENTO DELLA BATTERIA" per ottenere istruzioni per lo smaltimento della batteria e la sostituzione della testa rotante.

NOTA: Lasciare riposare il robot per 30-40 minuti prima di ricaricarlo nuovamente.

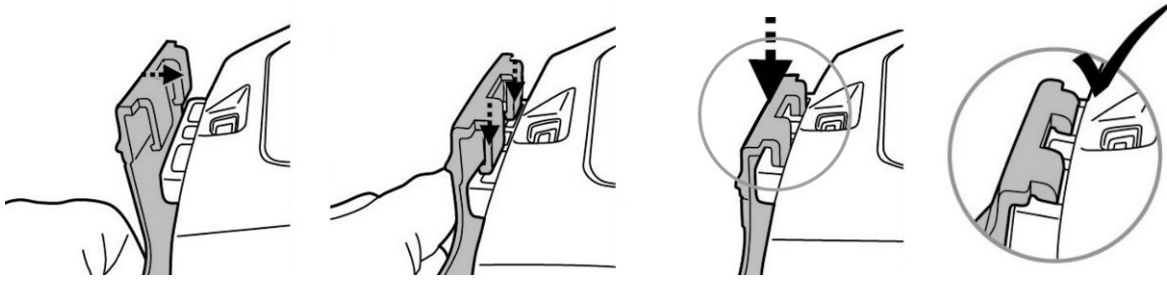
Configurazione prima dell'uso

Montaggio della spatola per pavimento

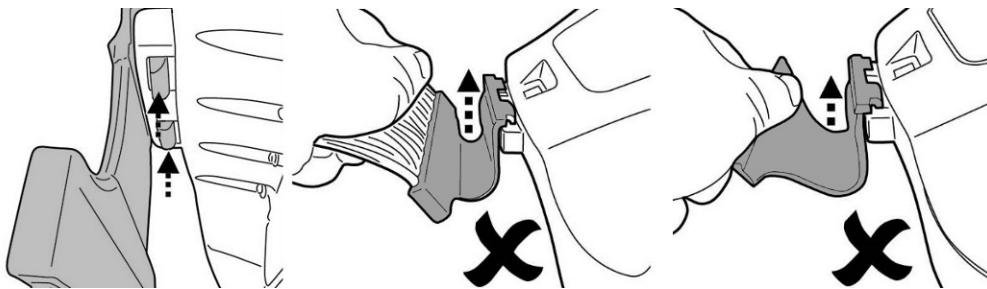
Allineare e inserire tutte le spatole nelle tacche sulla parte inferiore del robot.



Rastrello ad aggancio/ Assemblaggio spazzola



SUGGERIMENTO: Premere sulle estremità dei due ganci per rimuovere il rastrello/spazzola



NOTA IMPORTANTE:

1. Rimuovere il rastrello/spazzola dopo l'uso. In caso contrario, potrebbero deformarsi a causa della compressione costante e, di conseguenza, potrebbero interrompere il movimento del robot.
2. Si sconsiglia di non usare il rastrello o la spazzola e il tergilavaggio simultaneamente poiché potrebbe rallentare e interrompere il movimento del robot.

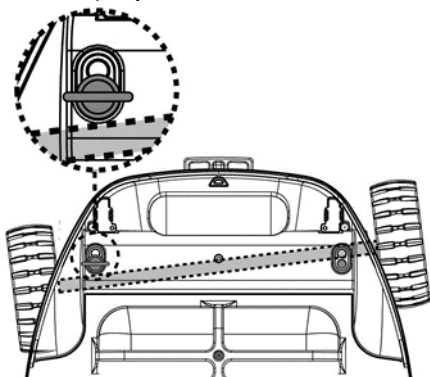
Regolazione della traiettoria

Perno di bloccaggio

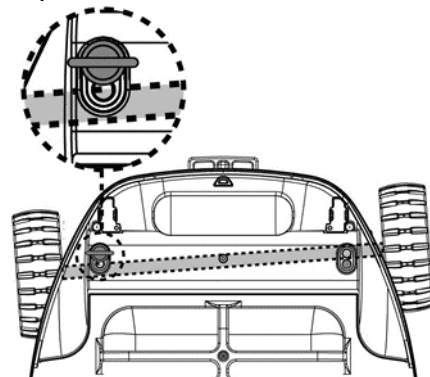
La traiettoria del robot dipende dalla posizione del perno che fissa l'asse a un certo angolo. Ci sono due perni di bloccaggio: quello a destra è fisso e dovrebbe rimanere intatto. Modificare soltanto la posizione del perno a sinistra.

Impostazioni raccomandate:

Per piscine di lunghezza uguale o inferiore a 3 metri. (Impostazione di fabbrica)



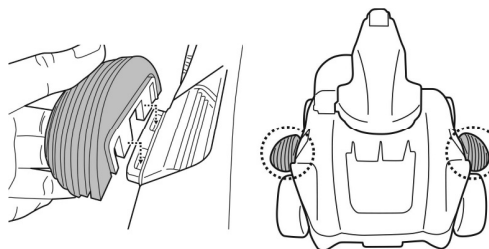
Per piscine di lunghezza uguale o superiore a 3 metri.



Paraurti

Il paraurti è facoltativo e sarà usato nelle situazioni seguenti:

Se il robot tende a seguire il perimetro della piscina, agganciare un paraurti su ciascun lato del robot per eliminare questo schema.



Preparazione della piscina

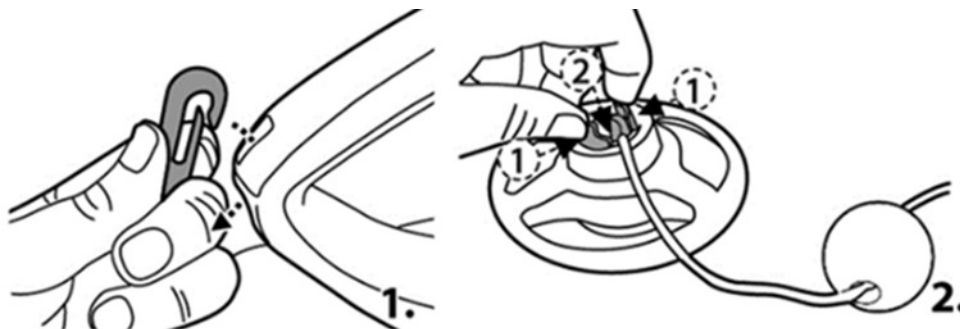
- Se ci sono pietre, radici o materiali soggetti a corrosione metallica a contatto con il fondo della piscina, eliminarli prima di usare il robot. Se necessario, richiedere l'aiuto di un professionista qualificato.
- Se il rivestimento è usurato, danneggiato o grinzoso, contattare un professionista qualificato per l'esecuzione delle riparazioni necessarie o procedere alla sostituzione del rivestimento prima di usare il robot.
- Spostare la scaletta della piscina, lo skimmer di superficie e altri oggetti galleggianti, in quanto possono ostruire il movimento di galleggiamento del robot e quindi anche i suoi robot.
- Se usi una piscina con acqua salata, accertati che tutto il sale si sia dissolto prima di collocare il robot nell'acqua.

NOTA IMPORTANTE: Spegner il sistema di filtraggio (come indicato nel tuo manuale di filtraggio) almeno 15 minuti prima di spostare il robot.

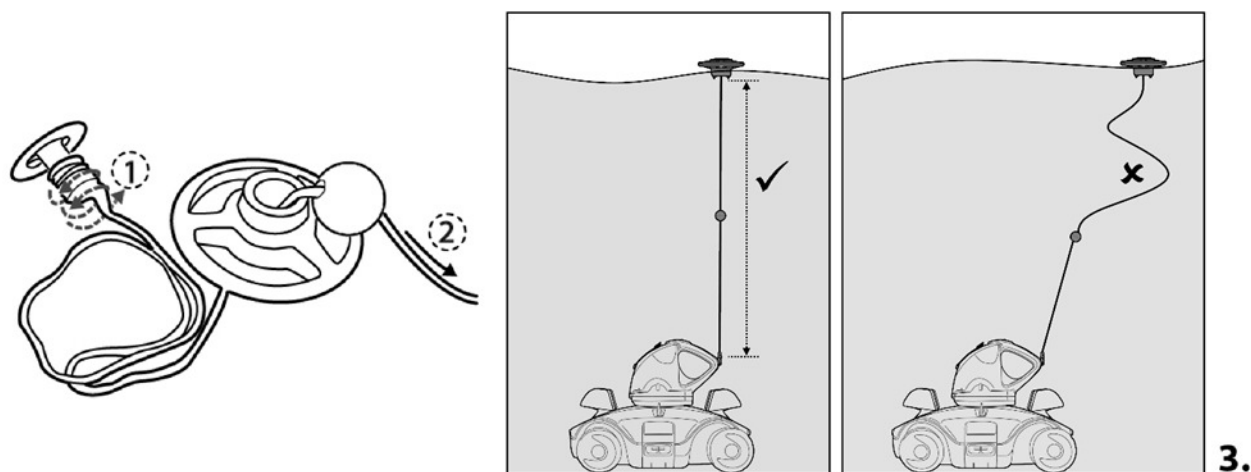
FUNZIONAMENTO

AVVERTENZA!

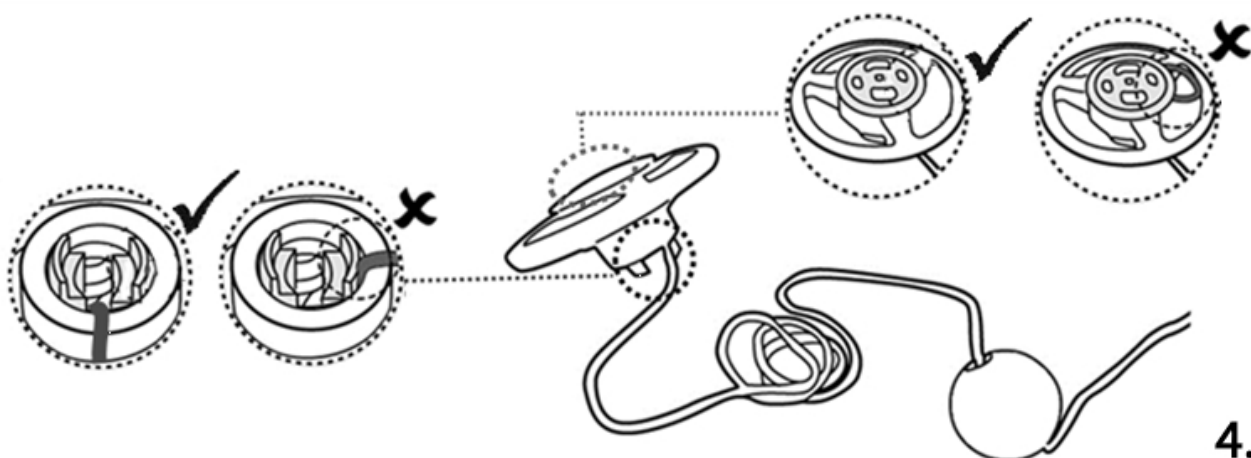
- Accertarsi previamente che il robot sia spento. .
 - Accertarsi che la spina di ricarica sia scollegato e che la porta di ricarica sia collegata al cappuccio protettivo prima dell'installazione del robot.
1. Portare il robot fino al bordo della piscina. NOTA: Usare esclusivamente il robot nelle parti laterali della piscina (non ad angolo piscina) e accertarsi che sia rivolto verso l'esterno mentre esegui il processo. Collegare il gancio del galleggiante all'impugnatura della testa girevole. Premere sulla clip laterale per espellere lo stelo dal galleggiante.



La lunghezza corretta della fune di recupero deve essere equivalente alla distanza tra la maniglia del robot e il livello dell'acqua. **NOTA:** Un esubero nella lunghezza potrebbe far affondare la fune e di conseguenza influire sulle prestazioni.



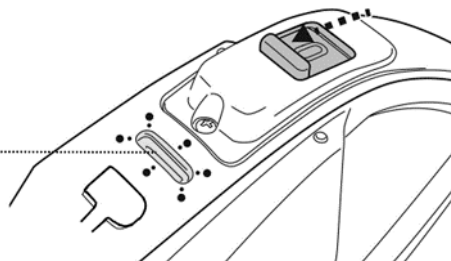
Una volta raggiunta la lunghezza desiderata, mantenerla trattenendo la fune sullo stelo e riattaccarlo al galleggiante premendo sulla clip laterale come mostrato.



2. Dopo aver spento il robot, immergerlo nella piscina e agitarlo delicatamente un paio di volte, per facilitare lo scarico dell'aria. L'aria in eccesso che si intrappola nel corpo potrebbe causare un comportamento erratico della testa orientabile.

3.

Luce indicazione di
potenza
(Verde)



3. Spostare l'interruttore di accensione su "ON" (mentre il robot è ancora immerso) - la spia si accenderà e attiverà automaticamente il motore (livello dell'acqua che copre i sensori nella parte superiore della testa orientabile). Lasciare che il robot si posizioni sul fondo della piscina e osservare i primi movimenti di inversione in avanti e indietro sul fondo della piscina. Se si sposta lungo il muro della piscina anziché perpendicolarmente, recuperare il robot e ridistribuirlo assicurandosi che la parte anteriore / posteriore sia rivolta verso il muro della piscina.

L'indicatore di potenza inizierà a lampeggiare quando il tempo residuo è inferiore a 10 minuti.

Luce di indicazione di potenza:

Nessuna luce - Alimentazione spenta/ nessuna potenza

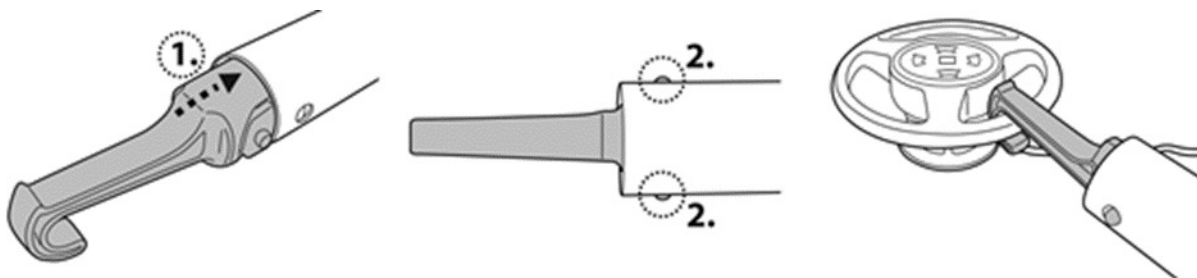
Luce - Alimentazione accesa

Luce lampeggiante - La carica della batteria sarà esaurita tra 10 minuti.

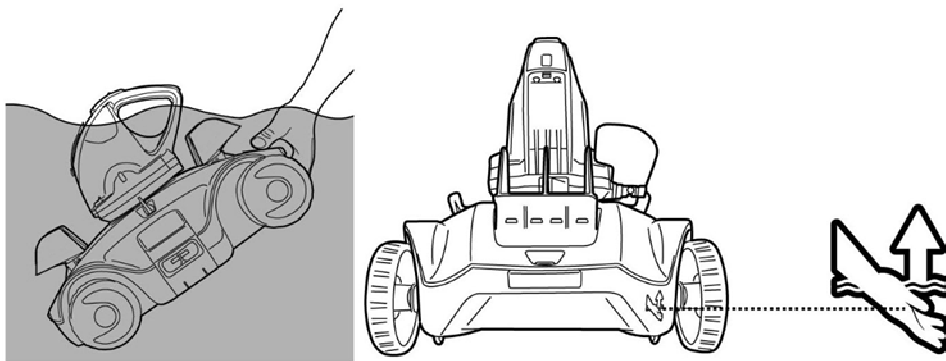
NOTA:

- Non cercare mai di far entrare in contatto i sensori dell'acqua con qualcosa che non sia acqua pulita.

4. Per recuperare il robot dalla piscina, collegare il gancio a un palo telescopico (non fornito) e utilizzarlo per recuperare il galleggiante, se non si riesce a recuperare con le mani.



Non appena il robot raggiunge la superficie dell'acqua, individuare l'impugnatura che si trova sotto la base e indicata con il simbolo della mano (vedere lo schema seguente) per facilitare il recupero dalla piscina. Assicurati di afferrare sempre il robot da questa estremità per evitare che i detriti ricadano nella piscina durante il recupero.



5. Scorrere l'interruttore sulla posizione OFF. Risciacquare il robot con acqua fresca dopo ogni uso. NON usare detersivi.
6. Asciugare il porto di ricarica e i perni accuratamente (SUGGERIMENTI: Usare un cotton fioc per asciugarli)

NOTA: Per garantire una pulizia più efficiente, laddove la piscina sia molto sporca, si raccomanda di svuotare il filtro (all'interno del robot) dopo i primi 30 minuti di funzionamento o quando i movimenti del robot sono visibilmente rallentati. Quindi, collocare il robot (con il filtro già svuotato) di nuovo nella piscina e lasciarlo funzionare per il tempo residuo del ciclo.

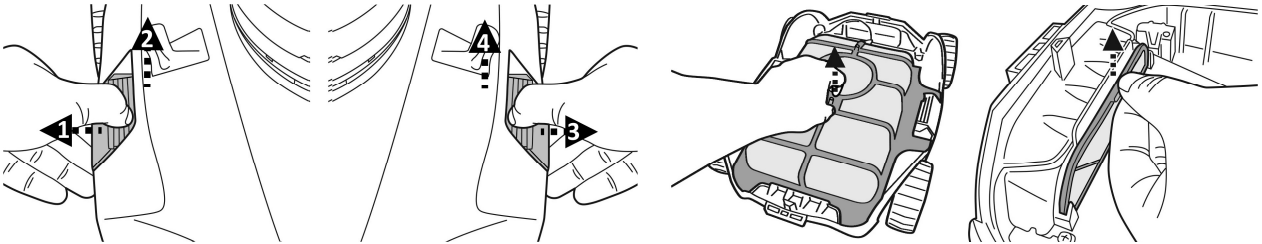
SVUOTAMENTO DEL FILTRO

AVVERTENZA! L'uso del robot senza il filtro renderà **NULLA** la garanzia.

Per migliorare l'efficienza della pulizia, pulire il filtro e il coperchio prima e dopo ogni uso.

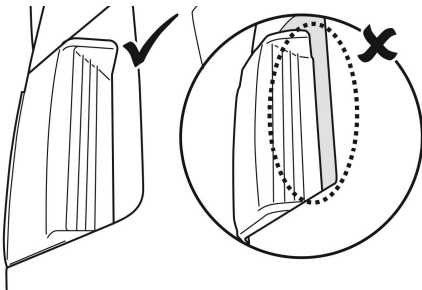
PRECAUZIONE! Prima di pulire il compartimento dei detriti, accertarsi che il robot sia **SPENTO**.

1. Collocare il dispositivo di pulizia su una superficie piatta. Premere un gancio laterale verso l'esterno per sollevare un lato del coperchio e ripetere i passi sull'altro lato per sollevare l'intero coperchio superiore ed esporre il coperchio del filtro e il piatto del filtro.



Pulire i detriti presenti nel filtro. Si raccomanda di pulire il coperchio del filtro e il piatto del filtro di drenaggio con acqua corrente. Se si ritiene necessario spazzolare, usare soltanto una spazzola morbida per pulirlo delicatamente e meticolosamente. **NON** applicare nessuna pressione sulla rete.

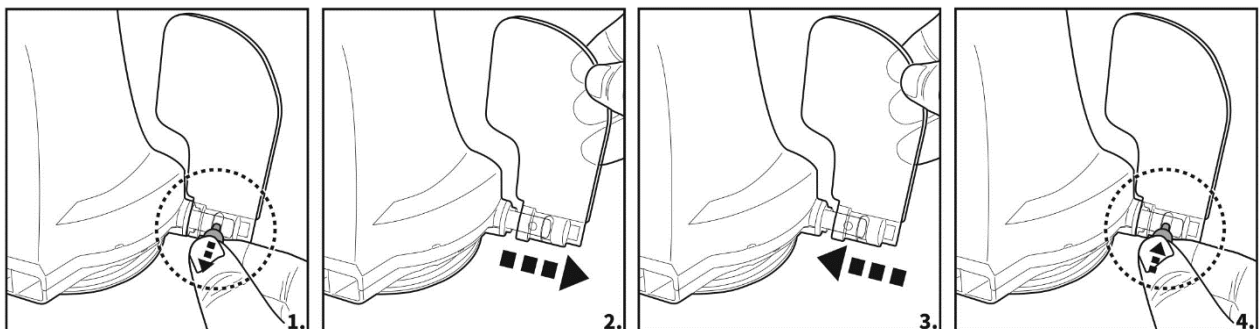
2. Dopo la pulizia, accertarsi che sia il piatto del filtro di drenaggio e il coperchio del filtro siano ben collocati e che il coperchio superiore dell'apparecchio sia assicurato dai ganci laterali. I ganci laterali devono agganciarsi completamente nel pulitore premendoli verso l'interno.



PRECAUZIONE!

- Sostituire il coperchio del filtro danneggiato con uno nuovo prima di iniziare l'operazione successiva.
- Sostituire il galleggiante danneggiato immediatamente e prima di iniziare l'operazione successiva.
- Sostituire il linguetta laterale danneggiato immediatamente e prima di iniziare l'operazione successiva.

Sostituzione del linguetta laterale



MANUTENZIONE E STOCCAGGIO

NOTA:

1. Assicuratevi di aver pulito e asciugato le aree limitrofe alla porta di ricarica e ai sensori dell'acqua dopo ogni utilizzo per evitare la formazione di macchie (sottoprodotto di una reazione chimica naturale tra corrente elettrica e acqua). Diversamente, le macchie possono essere rimosse strofinando leggermente con un batuffolo di cotone imbevuto di succo di limone o aceto.
2. La batteria si scarica da sola durante lo stoccaggio. Accertarsi di portare la capacità della batteria del robot tra il 30% e il 50% prima di conservarlo.
3. È necessario ricaricare la batteria almeno una volta ogni tre mesi se non viene usata.
 - Scollegare l'adattatore esterno dalla presa e, quindi, scollegare la spina di ricarica dall'adattatore esterno e dal robot.
 - Scollegare gli accessori dal robot. Se necessario, risciacquare il robot e gli accessori con acqua fresca. NON usare detersivi.
 - Accertarsi di drenare l'acqua dal robot prima di conservarlo.
 - Usare un panno umido per pulire e asciugare il robot e i suoi accessori.
 - Conservarlo in un luogo ben ventilato lontano dalla luce del sole, dal calore, da fonti di calore, prodotti chimici per piscina e bambini. La temperatura ambiente per la conservazione dev'essere compresa tra 10°C e 25°C (50°F – 77°F). NOTA: Una temperatura più alta di conservazione può ridurre la vita della batteria.

AVVERTENZA!

Non provare in nessun caso a smontare il robot né a sostituire la testa girevole per sostituire i componenti interni. Una simile azione renderebbe nulla la garanzia, esponendo l'utente a rischi potenziali e possibili danni al dispositivo e ad altri beni.

PRECAUZIONE!

- Un calore eccessivo può danneggiare la batteria e ridurre, quindi, la vita utile del vostro robot.
- Consultare il proprio rivenditore per la sostituzione della batteria se si verifica una delle seguenti condizioni:
 - La batteria appare danneggiata o non si ricarica completamente.
 - Il tempo di funzionamento della batteria è notevolmente ridotto. Osservare e registrare i tempi di funzionamento delle prime attività (a ricarica completa). Usare questi tempi come punto di riferimento per compararli con i tempi di funzionamento di batterie più vecchie.
- La batteria dev'essere rimossa dal robot prima della sua rottamazione.
- Il robot dev'essere scollegato dall'alimentazione principale quando la batteria viene rimossa.
- La batteria dev'essere smaltita in modo sicuro, secondo quanto stabilito dalle ordinanze e dai regolamenti locali.

NOTA: Una manutenzione non corretta può ridurre la vita della batteria e incidere sulla sua capacità.

SMALTIMENTO DELLA BATTERIA. (Da eseguirsi solo da parte di un tecnico autorizzato)

La batteria del tuo robot è priva di manutenzione, è una batteria agli ioni di litio ricaricabile e dev'essere adeguatamente smaltita. È necessario riciclarla; contattare le

proprie autorità locali per maggiori informazioni.

AVVERTENZA! Non cercare mai di smontare una batteria.

- Rimuovere tutti gli oggetti personali come anelli, braccialetti, collane e orologi quando la batteria non è collegata al robot.
- Una batteria può provocare un corto circuito abbastanza potente simile al processo di saldatura di un anello (o oggetti simili) al metallo provocando ustioni gravi durante il processo.
- Indossare occhiali di protezione completi, guanti e indumenti di protezione quando si procede all'estrazione della batteria.
- Evitare di toccare tutto l'insieme dei cavi ed evitare di far sì che i medesimi facciano contatto con qualsiasi oggetto in metallo, in quanto ciò potrebbe provocare scintille e/o corto circuito della batteria.
- Non fumare ed evitare scintille o fiamme in prossimità della batteria o del robot.
- Non esporre la batteria al fuoco o a calore intenso in quanto ciò potrebbe provocare un'esplosione.

PRECAUZIONE!

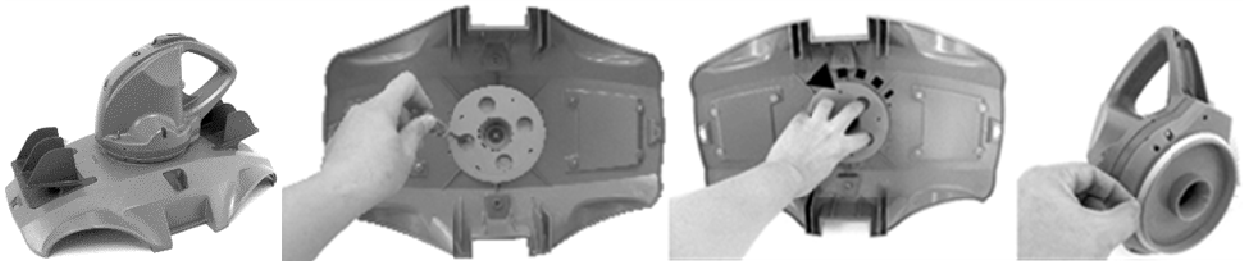
Se si verifica una fuga dalla batteria, evitare il contatto con i fluidi di fuga e collocare la batteria danneggiata in una busta di plastica.

- Se i fluidi entrano in contatto con la pelle o gli indumenti, lavare immediatamente con sapone e acqua abbondanti.
- Se i fluidi entrano in contatto con gli occhi, non sfregarli, sciacquarli immediatamente con acqua fredda corrente per almeno 15 minuti e non strofinarli. Rivolgersi a un medico il prima possibile.

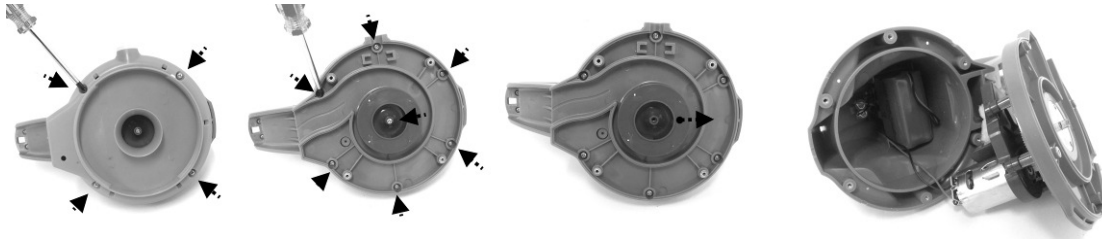
Come rimuovere il pack batteria solo per lo smaltimento della batteria (Da eseguirsi solo da parte di un tecnico autorizzato)

Strumenti raccomandati (non inclusi): Cacciavite.

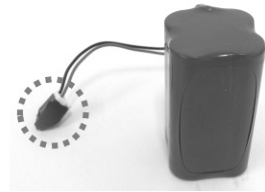
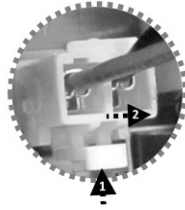
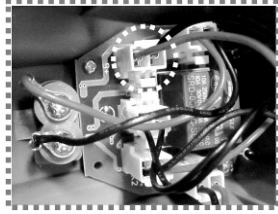
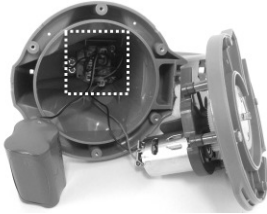
1. Seguire la sezione "SVUOTAMENTO DEL FILTRO" per liberare il coperchio superiore (pre-assemblato con la testina girevole). Posizionare il coperchio capovolto e utilizzare il cacciavite per svitare la vite sulla piastra di bloccaggio inferiore. Ruotare la piastra di bloccaggio inferiore in senso antiorario per rilasciare la testa orientabile. Rimuovere l'anello levigante girevole.



2. Usare il cacciavite per svitare le 4 viti collocate nella parte inferiore della testina per rilasciare il piatto inferiore. Usare il cacciavite per svitare tutte le viti presenti sulla base, come illustrato. Rimuovere la ventola e sollevare la base e rimuoverla per esporre la testina all'interno.



3. Estrarre la batteria per esporre il PCBA. Per estrarre il cavo di connessione della batteria, premere il gancio sul connettore ed estrarlo. **NOTA:** Avvolgere immediatamente il connettore con nastro isolante per evitare corto circuiti provocati dal contatto di entrambi i terminali dei cavi.





RISOLUZIONE DEI PROBLEMI

Problema	Possibile causa	Soluzione
Il robot non è operativo sott'acqua	Sensori di acqua macchiata	Usa un batuffolo di cotone imbevuto di succo di limone o aceto per pulire e rimuovere le macchie.
Il robot non cattura i detriti	La batteria è esaurita	Ricaricare di nuovo il robot.
	La ventola è bloccata	Spegnere il robot ed esaminare dal foro intermedio dell'aspiratore elettrico per vedere se la ventola è bloccata da detriti più grandi. Se necessario, contattare il proprio rivenditore per ulteriori istruzioni. AVVERTENZA! Make sure the robot is off before the unit is serviced.
	La bocca di aspirazione è ostruita	Rimuovere gli oggetti ostruiti dalla bocca di aspirazione.
	La ventola è rotta	Contattare il proprio rivenditore per i pezzi di ricambio.
Robot bloccato in mezzo alla piscina ma la testina girevole sta ancora girando	Il filtro dei detriti è pieno	Pulire il filtro dei detriti e il coperchio del filtro.
	Il robot è bloccato da un ostacolo o da lunghe pieghe sul rivestimento della piscina.	Controllare la presenza di eventuali ostacoli che possano ostruire l'aspiratore. Rimuovere l'ostacolo.
La testina orientabile gira ripetutamente	Il robot è ostacolato dalla suzione dall'aspirazione proveniente dallo scarico principale del fondo piscina	Spegnere il sistema di filtraggio come indicato nel manuale.
	Aria intrappolata all'interno del robot	Immergere il robot mentre è ancora spento nella piscina e scuoterlo delicatamente alcune volte per facilitare lo scarico dell'aria prima di accenderlo (mentre il robot è ancora immerso). La testina girevole può ruotare ripetutamente per un breve periodo una volta che il robot affonda sul fondo della piscina. Questo processo si interromperà una volta che scaricata l'aria intrappolata all'interno del robot e il robot inizierà a muoversi regolarmente.
Il robot non copre tutta la piscina	Il filtro dei detriti è pieno	Pulire il filtro.
	Il tempo di funzionamento è più breve di quanto ci si aspettasse.	Pulire il compartimento del filtro e ricaricare nuovamente il robot per 6 ore
	La direzione di movimento è interrotta dalla circolazione dell'acqua generata dal sistema di filtraggio	Spegnere il sistema di filtraggio (come indicato nel manuale di filtraggio) almeno 15 minuti prima della messa in funzione del robot.
	La rotella è bloccata	Controllare e pulire i detriti dalla ruota.
	La posizione dell'asse delle ruote non è impostata correttamente. È richiesto un paraurti	Seguire le istruzioni per regolare l'impostazione dell'asse della ruota e applicare un paraurti.
	Il robot si muove lungo la parete della piscina di una piscina rotonda	Accertarsi che i paraurti siano stati installati come indicato nel manuale.
	Il rastrello/spazzola è deformato	Posali sotto la luce del sole per qualche ora per raddrizzarli. Se necessario, sostituirlo con un nuovo rastrello/spazzola.
	Rastrello/spazzola e tergipavimento vengono utilizzati contemporaneamente	Rimuovere il tergipavimento o il rastrello e la spazzola.

	Le alghe rendono il pavimento della piscina scivoloso, il che farà girare il robot intorno a sé stesso.	Strofinare il fondale della piscina e le ruote del robot per rimuovere le alghe
Il robot si muove lungo la parete della piscina	La posizione dell'asse della ruota non è impostato correttamente /paraurti è necessario	Seguire le istruzioni per regolare l'impostazione dell'asse della ruota e applicare un paraurti.
Robot intrappolato in un luogo stretto della piscina in superficie	Non c'è abbastanza spazio perché il robot giri nell'altra direzione	Seguire le istruzioni per mettere il paraurti su entrambe le estremità del robot.
Il robot si muove lentamente o non si muove affatto.	Il compartimento dei detriti è pieno o il coperchio del filtro è tappato.	Pulire il compartimento dei detriti. Sciacquare lo schermo con acqua per rimuovere particelle piccole. In caso sia necessario l'uso di una spazzola, usare una spazzola morbida per pulire lo schermo delicatamente. Nota: accertarsi che il coperchio del filtro sia al suo posto prima di mettere di nuovo in funzionamento la macchina.
	La bocca di aspirazione è ostruita	Rimuovere gli oggetti otturati dalla bocca di aspirazione
	Il rastrello/spazzola è deformato	Posali sotto la luce del sole per qualche ora per raddrizzarli. Se necessario, sostituirlo con un nuovo rastrello/spazzola.
	Rastrello/spazzola e tergipavimento vengono utilizzati contemporaneamente	Rimuovere il tergipavimento o il rastrello e la spazzola.
	Ventola bloccata	Spegnere il robot e ispezionare il foto sotto il gruppo rotante per vedere se la ventola per bloccata da detriti. Se necessario, contattare il proprio rivenditore per maggiori istruzioni. ATTENZIONE! Accertarsi che il robot sia spento prima mettere in servizio l'unità.
La testina girevole non gira o gira molto lentamente	La linguetta laterale non fuoriesce.	Controllare e rimuovere qualsiasi detrito che impedisca il movimento della linguetta.
	La testa rotante inferiore è inceppata.	Rimuovere la testa rotante e l'o-ring secondo le istruzioni di cui alla sezione "Come rimuovere il pack batteria" dal manuale, quindi: <ul style="list-style-type: none"> - Rimuovere i detriti incastrati - Ispezionare l'o-ring per eventuali danni o usura. Sostituirli con altri nuovi, se necessario - Verificare che l'o-ring e la piastra inferiore siano collocati correttamente (usare come riferimento gli schemi di sotto)
I detriti fuoriescono dal robot	La linguetta della bocca di aspirazione (sulla parte inferiore del dispositivo) è	La linguetta della bocca di aspirazione funziona come una porta per evitare che i detriti fuoriescano dal compartimento. Contattare il

	danneggiata	proprio rivenditore per i pezzi di ricambio e le istruzioni.
	I detriti intasati sulla bocca di aspirazione impediscono alla linguetta di chiudersi.	Rimuovere i detriti intasati dalla bocca di aspirazione.
	Il piatto del filtro di drenaggio è rotto o non al suo posto	Accertarsi che il piatto del filtro di drenaggio sia ben collocato e sostituirlo con uno nuovo, se necessario, prima dell'uso
I detriti fuoriescono dal coperchio del filtro	Il coperchio del filtro è danneggiato.	Sostituire con un nuovo coperchio del filtro dal proprio rivenditore.
Il galleggiante affonda	Galleggiante danneggiato e perdita d'acqua.	Sostituire con un nuovo galleggiante proveniente dal fornitore.
La fune di recupero è affondata	La lunghezza della fune di recupero è troppo lunga	Aggiustare la lunghezza in conformità con le istruzioni nel manuale
La durata del ciclo di pulizia è più breve di quanto pubblicizzato	La batteria è completamente carica	Caricare il robot per almeno 6 ore. NOTE: in caso di rilevamento di macchie nei perni di ricarica, rimuoverli usando un cotton fioc imbevuto nel succo di limone o aceto.
Il robot non si carica/ricarica	La batteria è danneggiata	Contattare il proprio rivenditore per sostituire la batteria. AVVERTENZA! NON aprire il robot né sostituire la batteria senza l'aiuto di un esperto. Ciò potrebbe causare lesioni gravi o mortali e, di conseguenza, rendere nulla la garanzia.
	La spina di ricarica non è completamente connesso all'adattatore esterno e al robot.	Accertarsi che la spina di ricarica sia connesso all'adattatore esterno e al robot in modo completo e adeguato. Consultare il manuale di istruzioni.
	L'adattatore esterno è fuori uso	Contattare il proprio rivenditore per sostituirlo. AVVERTENZA! L'uso di un adattatore esterno erraneo comporterà il danneggiamento del robot/batteria e renderà nulla la garanzia.

Programmi ambientali, Direttiva Europea RAEE

	Invitiamo al rispetto delle normative europee e a collaborare nella protezione dell'ambiente. Restituire i dispositivi elettrici non funzionanti presso un centro autorizzato del proprio municipio, che si dedichi al corretto smaltimento di dispositivi elettrici ed elettronici. Non smaltirli nei rifiuti indifferenziati. Per gli articoli contenenti batterie estraibili, estrarre le batterie prima di smaltire il prodotto.
	© 2020 Kokido Development Ltd. 20009011 Tutti i diritti riservati. Nessuna parte del presente documento può essere riprodotta o trasmessa in alcuna forma o mezzo, elettronico, meccanico, fotocopia, registrazione o altro senza il previo consenso scritto di Kokido Development Ltd. (V1)

Laddove sia richiesta una copia elettronica del presente manuale di istruzioni, contattare il nostro servizio clienti via email: customerservice@kokido.com


CONSERVARE LE PRESENTI ISTRUZIONI

SICHERHEITSWARNUNGEN UND -HINWEISE

Die in dieser Bedienungsanleitung enthaltenen Informationen helfen Ihnen, das Gerät sicher zu bedienen, sich und andere vor Gefahren zu schützen und Schäden am Gerät und anderem Eigentum zu vermeiden.

BEDIENUNGSANLEITUNG GUT AUFBEWAHREN

WARNUNG!

- Dies ist kein SPIELZEUG. Halten Sie Kinder von diesem Poolroboter und seinem Zubehör fern.
- Lassen Sie keinesfalls zu, dass Kinder das Produkt bedienen.
- Dieses Gerät ist nicht für die Verwendung durch Personen mit eingeschränkten physischen, sensorischen oder geistigen Fähigkeiten oder fehlender Erfahrung und mangelndem Wissen bestimmt, es sei denn, sie wurden von einer für ihre Sicherheit verantwortlichen Person beaufsichtigt oder in die sichere Verwendung des Geräts eingewiesen und verstehen die vorhandenen Gefahren.
- Kinder dürfen nicht mit diesem Produkt spielen.
- Die Reinigung und Wartung des Roboters darf nicht von Kindern durchgeführt werden.
- Achten Sie darauf, dass sich der Poolroboter vollständig unter Wasser befindet, bevor er eingeschaltet wird. Der für den Betrieb des Gerätes erforderliche Mindestwasserstand muss oberhalb des Einschaltknopfs des Geräts liegen, wenn dieses in vertikaler Position gehalten wird. Wird der Roboter betrieben, obwohl er sich nicht korrekt unter Wasser befindet, kann ein Schaden an dem Gerät eintreten, was zum Erlöschen der Gewährleistung führt.
- Die maximale Betriebstiefe beträgt 3 m (10 ft.) unter Wasser.
- Betriebswassertemperatur: 5°C (41°F) –35°C (95°F)
-  Abnehmbares Ladegerät (externer Adapter).
- Der Roboter sollte nur mit dem mit diesem Produkt gelieferten externen Adapter und Ladestecker aufgeladen werden
- Verwenden Sie zum Aufladen der Batterie nur die abnehmbare Stromversorgung (Modellnummer des externen Adapters: DSS18-0842000-B / DSS18-0842000-C / DSS18-0842000-D/LX084200), die mit diesem Roboter geliefert wird.
- Verbinden Sie den externen Netzadapter über eine Fehlerstrom - Schutzvorrichtung, (RCD) / einen Fehlerstrom - Schutzschalter (RCCB) mit dem Netz. Ziehen Sie in Zweifelsfällen einen qualifizierten Elektriker zu Rate.
- Betreiben Sie den Poolroboter nicht, wenn ein Schaden daran festgestellt wurde.
- Ersetzen Sie beschädigte Teile durch solche, die vom Händler oder Hersteller zertifiziert sind.
- Schalten Sie den Roboter aus, trennen Sie den externen Adapter von der Stromquelle und ziehen Sie den externen Adapter vom Ladestecker ab,

- bevor Sie den Roboter vom Ladestecker trennen.
- Trennen Sie den Roboter vom Stromnetz und vergewissern Sie sich, dass der Roboter ausgeschaltet ist, bevor Sie regelmäßige Wartungsarbeiten durchführen - wie z. B. das Reinigen des Filters, des schwenkbaren Ausgleichsringes und der Bereiche um die Wassersensoren und den Ladeanschluss.
 - Versuchen Sie nicht, den eingebauten wiederaufladbaren Li-Ionen-Akku zu ersetzen.
 - Fassen Sie den Roboter, den externen Adapter und den Ladestecker NICHT mit nassen Gliedmaßen und ohne Schuhe an, während er geladen wird.
 - Sie sollten diesen Roboter nicht bedienen, wenn sich Menschen und/oder Haustiere im Wasser befinden.
 - Betreiben Sie den Poolroboter NICHT ohne intakten Filtereinsatz, da andernfalls die Gewährleistung erlischt
 - Gefahr durch Ansaugen: Dieser Poolroboter erzeugt eine Saugwirkung. Achten Sie darauf, dass Ihr Körper, Ihre Haare oder Teile Ihrer Kleidung nicht zu nahe an die Saugöffnung geraten, während der Poolroboter betrieben wird.
 - Stecken Sie niemals Körperteile, Kleidung oder andere Gegenstände in die Öffnungen und beweglichen Teile des Roboters.
 - Verwenden Sie diesen Roboter NICHT, um toxische Substanzen, entzündliche und brennbare Flüssigkeiten (z. B. Benzin) in Gegenwart von explosiven oder entflammenden Dämpfen aufzunehmen.
 - Sie dürfen unter keinen Umständen den Schwenkkopf auseinanderbauen, um seine inneren Komponenten selbst zu ersetzen. Dies würde zum Erlöschen der Garantie führen, Sie potenziellen Gefahren aussetzen und möglicherweise das Gerät und andere Eigenschaften beschädigen.
 - Führen Sie niemals Körperteile oder andere Gegenstände in das Laufrad ein, um das Laufrad zu berühren.
 - Die eingebaute Batterie muss von einem Fachmann entfernt werden, bevor sie verschrottet wird.
 - Dieses mit Poolroboter arbeitende Gerät enthält einen Akku, der nur von Fachpersonal entfernt werden darf.
 - Bevor der Akku entfernt wird, muss das Poolroboter von der Stromversorgung getrennt werden.
 - Einzelheiten zum Recycling bzw. zur Entsorgung des Akkus finden Sie im Abschnitt „ENTSORGUNG DES AKKUS“ in dieser Anleitung und wenden Sie sich für weitere Informationen an Ihre örtlichen Behörden.
 - Der Akku muss im Einklang mit den im Verwendungsland geltenden Vorschriften entsorgt werden.
 - Externer Adapter und Ladestecker:
 - Verwenden Sie den externen Netzadapter und das Ladestecker nicht für andere Zwecke als zum Aufladen des Akkus des Poolroboters, der zusammen mit diesen Teilen geliefert wurde.

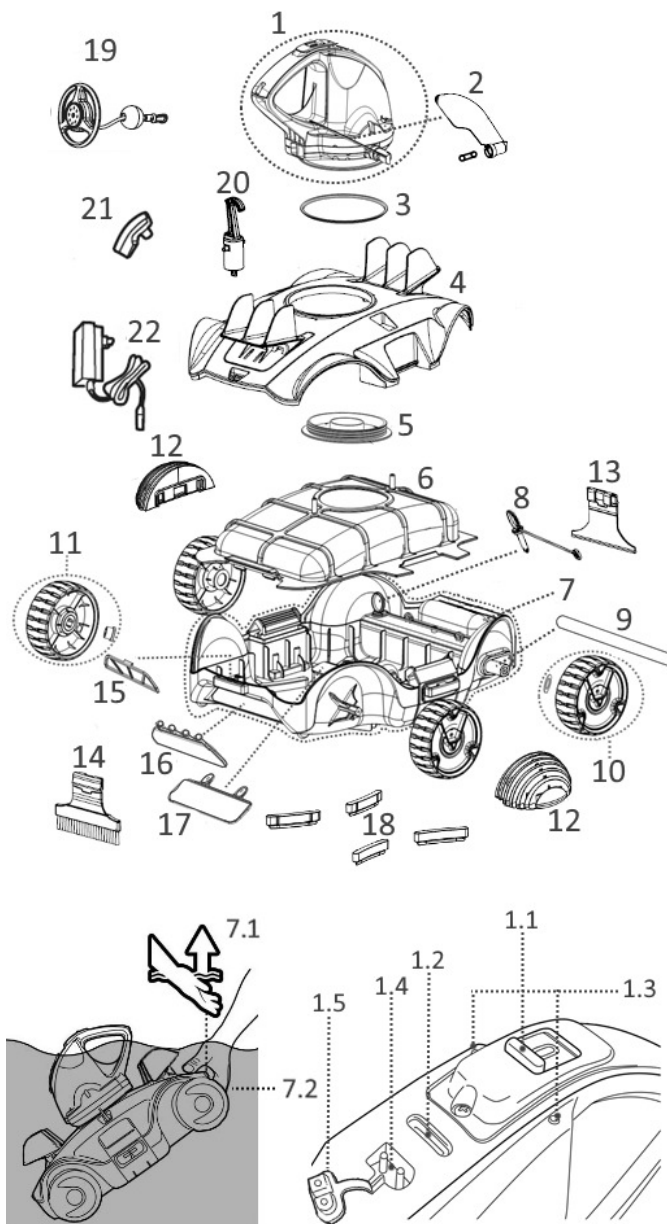
- Der externe Netzadapter und der Ladestecker dürfen weder im Freien benutzt werden und dürfen weder Regen, Feuchtigkeit, Flüssigkeiten noch Hitze ausgesetzt werden.
- Der Transformator (bzw. der externe Adapter) muss außerhalb von Zone 1 aufgestellt werden.
- Externen Adapter und Ladestecker außerhalb der Reichweite von Kindern aufbewahren.
- Benutzen Sie den externen Netzadapter und den Ladestecker nicht, wenn daran Schäden festgestellt wurden.
- Bedienen Sie den externen Netzadapter und das Ladestecker NICHT mit nassen Händen.
- Trennen Sie den externen Netzadapter vom Netz, wenn Sie ihn nicht verwenden.
- Versuchen Sie nie den externen Adapter zu öffnen.
- Wenn das Netzkabel des externen Adapters beschädigt ist, muss der externe Adapter durch den Hersteller oder seinen Kundendienstvertreter ersetzt werden, um Gefahren jeglicher Art zu vermeiden.
- Vergewissern Sie sich vor dem Aufladen, dass der Roboter vollkommen trocken ist.

VORSICHT!

- Dieser Roboter ist nur für die Verwendung unter Wasser ausgelegt, es ist kein Mehrzweck-Sauger. Versuchen Sie NICHT, damit etwas anderes zu reinigen als ein Schwimmbecken.
- Verwenden Sie nur Original-Zubehörteile, die mit dem Produkt geliefert wurden.
- Verwenden Sie diesen Poolroboter NICHT unmittelbar nach einer Chlorbehandlung. Es wird empfohlen, erst 24 bis 48 Stunden abzuwarten, damit das Wasser im Becken zirkulieren kann.
- Bei einem Salzwasserpool müssen Sie sich vergewissern, dass das Salz komplett gelöst ist, bevor Sie den Roboter ins Wasser setzen.
- Verwenden Sie diesen Roboter NICHT gleichzeitig mit einem anderen automatischen/manuellen Reinigungsgesetz im Becken.
- Entfernen Sie harte, scharfe Gegenstände aus dem Becken, bevor Sie den Roboter einsetzen, um Schäden am Roboter und seinem Filter zu vermeiden.
- Um Beschädigungen des externen Adapters und des Ladesteckers zu vermeiden, versuchen Sie nicht, den Roboter am Kabel des externen Adapters/Ladesteckers zu tragen oder am Kabel zu ziehen, um ihn von der Stromquelle und dem Ladestecker zu trennen.
- Laden Sie den Poolroboter im Haus und in einem trockenen, sauberen Bereich mit guter Belüftung und nicht in direktem Sonnenlicht.
- Lassen Sie den Poolroboter NICHT mehr als 10 Stunden laden.
- Wird der Poolroboter längere Zeit nicht benutzt, trennen Sie ihn vom Ladestecker ab und reinigen Sie Poolroboter und Zubehör mit einem feuchten Tuch. Achten Sie darauf, den Poolroboter auf 30 - 50 % Akkukapazität aufzuladen, bevor er weggelegt wird. Lagern Sie das Gesetz in einem gut belüfteten Raum geschützt vor Sonneneinstrahlung, Hitze- oder Feuerquellen und Schwimmbadchemikalien und außerhalb der Reichweite von Kindern. Laden Sie den Poolroboter mindestens alle drei Monate auf.
- Alle Maßnahmen zur Demontage des Schwenkkopfes (z. B. Batterieentsorgung) sollten nur von einem autorisierten Techniker durchgeführt werden.

Die vorstehenden Warnungen und Hinweise sind keine abschließende Aufzählung aller möglichen Fälle von Gefahren und /oder schweren Verletzungen. Jeder Eigentümer / Betreiber eines Pools muss bei Verwendung des Geräts stets die angemessene Vorsicht und gesunden Menschenverstand walten lassen.

BETRIEB DES ROBOTERS



Ersatzteilnummer

1.	Schwenkopf(mit Seitenklappe)	Einschließlich Schwimmer, Schwenk-Ausgleichsring, Schutzkappe und Bodenschraubenplatte: RC30ASM07 RC30ASM07/US (USA)
1.1.	Schiebeschalter	-----
1.2.	Ein-/Aus-Anzeige	-----
1.3.	Wassersensoren	-----
1.4.	Ladebuchse	-----
1.5.	Schutzkappe (für Ladeanschluss)	-----
2.	Seitenklappe (mit seitlichem Stift)	RC26-07
3.	U-Ring Schwenkopf	RC30-08-004
4.	Obere Abdeckung	RC32ASM03
5.	Grundplatte Schwenkopf	RC30-05-005
6.	Filterabdeckung	RC30-09
7.	Grundgestell	RC32ASM04 RC32ASM04/US (USA)
7.1.	Griffanzeige	-----
7.2.	Griff (unterhalb der Robotergrundplatte)	-----
8.	Sperrstift	RC30-10-014
9.	Radachse	RC30ASM08
10.	Hinterrad (mit Scheibe) x2	
11.	Vorderrad (mit Scheibe) x2	RC30-12
12.	Stoßstange x 2	RC30-18
13.	Aufsteckbarer Abstreifer	RC32ASM10
14.	Aufsteckbare Bürste	
15.	Ablaufilterteller	RC30ASM09
16.	Ablaufklappe	
17.	Saugdüsenklappe	
18.	Bodenschrubber x4	RC30-10-012
19.	Schwimmer	R35-13
20.	Haken (mit V-Klipp) für Teleskopstange	RC30-16
21.	Ladestecker	RC26-17
22.	Adapter	RC30-17-002 (EU) RC30-17-002/US (USA) RC30-17-002/AU (Australien/Neuseeland)

An der Unterseite des Schwenkopfs befindet sich eine Spritzdüse. Das Wasser wird von der Saugdüse an der Unterseite des Roboters angesaugt, durch den Filter geleitet und anschließend durch die Spritzdüse wieder abgegeben. Das aus der Düse spritzende Wasser bewegt den Roboter vorwärts. Fährt der Roboter gegen ein Hindernis wie die Beckenwand, dreht sich die Seitenklappe und der Schwenkopf dreht sich um 180 Grad. Der Roboter fährt dann in entgegengesetzte Richtung weiter. Der Roboter bewegt sich allgemein in gerader Linie in eine Richtung und bogenförmig in die andere Richtung. Während der Fahrt saugt der Schrubber den Schmutz vom Beckenboden ins Schmutzfach (Filter).

VOR DER INBETRIEBNAHME

Aufladen des Akkus

WICHTIGER HINWEIS: Laden Sie den Poolroboter 6 Stunden auf, bevor Sie ihn zum ersten Mal benutzen.

WARNUNG!

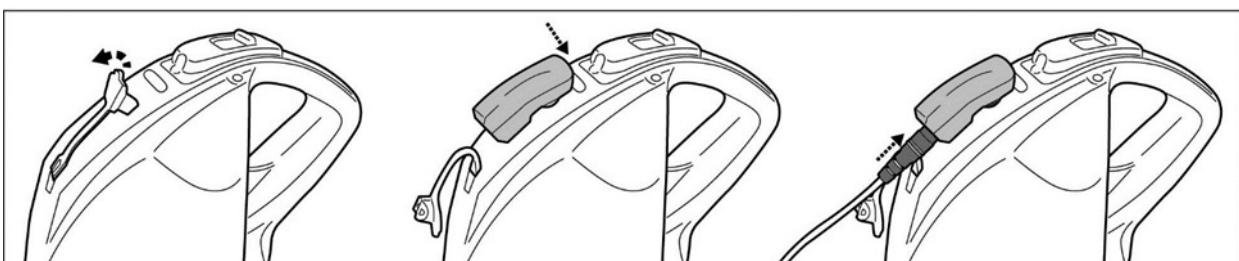
- Verwenden Sie nur den mitgelieferten Original-Netzadapter und den mitgelieferten Ladestecker.
- Stellen Sie sicher, dass der Roboter und der Ladeanschluss sauber und trocken sind, bevor Sie ihn aufstellen und laden. (TIPP: Heben Sie die Schutzkappe auf und verwenden Sie einen Wattestäbchen zum Trocknen der Ladeöffnung und der Ladestifte).
- Die Aufladestifte sind wasserdicht. Wasserreste im Hafen und um die Stifte herum könnten jedoch zum natürlichen Auftreten von Flecken führen (ein Nebenprodukt der chemischen Reaktion zwischen Wasser und elektrischen Strömen). Andernfalls können die Flecken durch leichtes Schrubben mit einem mit Zitronensaft oder Essig getränkten Wattestäbchen entfernt werden.
- Vergewissern Sie sich vor dem Laden des Akkus, dass der Roboter ausgeschaltet ist, indem Sie den Schalter auf OFF stellen.

1. Stellen Sie das Gerät auf eine ebene Fläche. Der Schalter muss auf OFF stehen.

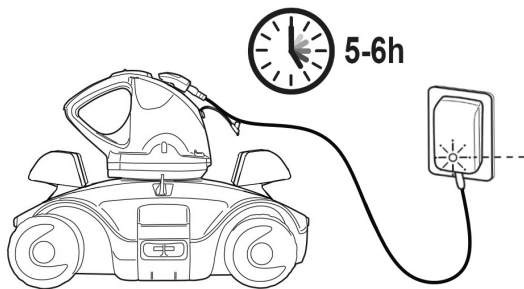


2. Öffnen Sie die Schutzkappe. Richten Sie den Ladestecker aus und schließen Sie es an den Ladeanschluss an.

WARNUNG! Achten Sie darauf, den Ladestecker nicht umzudrehen und stellen Sie sicher, dass sowohl der Ladestecker als auch der Ladeanschluss sauber und trocken sind, bevor Sie sie verbinden aufladen.. **TIPP:** Verwenden Sie Wattestäbchen zum Trocknen des Ladeanschlusses und der Pole. Stecken Sie das Ladekabel des externen Adapters in den Ladestecker.



3. Verbinden Sie den externen Adapter mit der Stromquelle. Die Anzeigeleuchte am externen Adapter leuchtet rot, sobald der Ladevorgang beginnt. Die Anzeigeleuchte am externen Adapter leuchtet grün, wenn der Roboter aufgeladen ist.



ROTES Licht – Ladevorgang aktiv
GRÜNES Licht - Aufgeladen

- Sollten Sie eine der folgenden Störungen bemerken, trennen Sie den externen Netzadapter sofort von der Stromversorgung:
 - Starker oder ungewöhnlicher Geruch
 - Übermäßige Wärmeentwicklung
 - Verformung, Risse, Auslaufen
 - Rauch
4. Wenn der Ladevorgang abgeschlossen ist, trennen Sie den externen Adapter von der Stromquelle und ziehen Sie den Ladestecker aus dem Gerät und dem externen Adapter.

Normalerweise kann der Poolroboter nach einer vollständigen Ladung bis zu 90 Minuten benutzt werden

HINWEIS: Reinigen Sie das Schmutzfach regelmäßig. Übermäßiger Schmutz im Inneren des Schmutzfachs erhöht die Belastung des Motors im Betrieb und verkürzt dadurch die Betriebsdauer.

HINWEIS: Wiederaufladbare Lithium-Ionen-Akkus sind Verbrauchsartikel. Sie haben eine begrenzte Lebensdauer und verlieren allmählich ihre Fähigkeit, Ladung zu speichern. Daher wird sich die Laufzeit des Roboters nach wiederholtem Laden und Entladen im Laufe seiner Produktlebensdauer allmählich verringern.

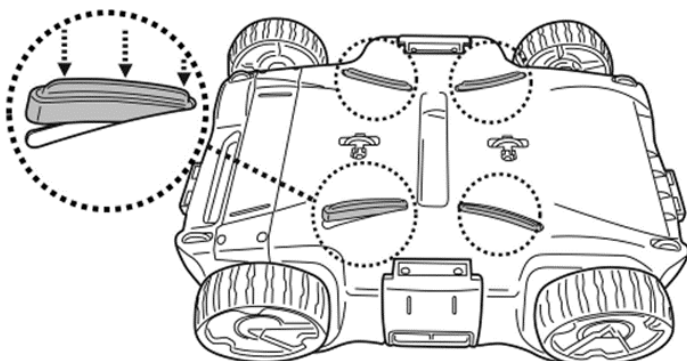
Wenn die Lebensdauer des Akkus erschöpft ist, befolgen Sie die Anweisungen im Abschnitt „ENTSORGUNG DES AKKUS“, um den Akku zu entsorgen und den Schwenkkopf auszutauschen .

HINWEIS: Lassen Sie den Poolroboter etwa 30 bis 40 Minuten ruhen, bevor Sie ihn erneut aufladen.

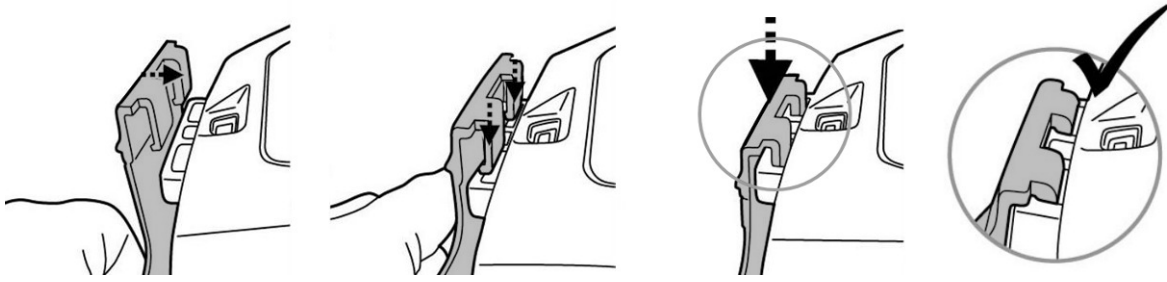
Zusammenbau vor Verwendung

Montage des Bodenschrubbers

Die Bürsten an der Unterseite des Roboters einsetzen und einrasten lassen.



Aufsteckbarer Abstreifer/Bürste



TIPP: Die beiden Hakenenden drücken, um den Abstreifer bzw. die Bürste zu entfernen.



WICHTIGER HINWEIS:

1. Abstreifer/Bürste nach Verwendung entfernen. Andernfalls können sie sich wegen der ständigen Kompression verformen und infolgedessen die Bewegung des Roboters behindern.
2. Es wird davon abgeraten, den Abstreifer und die Bürste gleichzeitig zu verwenden, da die Bewegung des Roboters sich verlangsamen oder unterbrochen werden könnte.

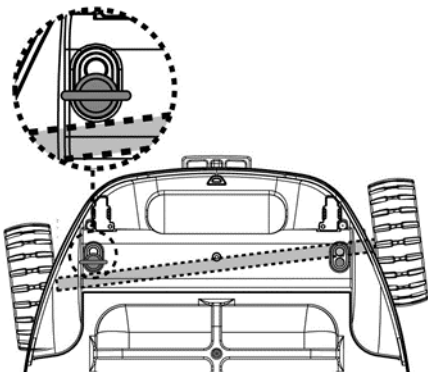
Einstellung der Reinigungsstrecke

Sperrstift

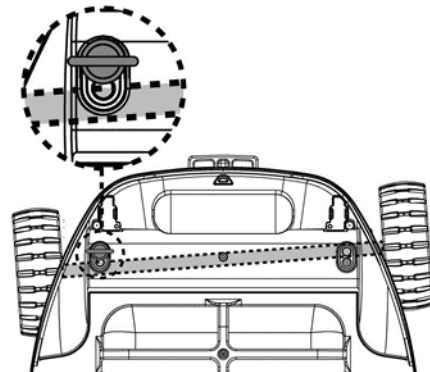
Der Verfahrweg des Roboters hängt von der Position des Stifts ab, der die Achse in einem bestimmten Winkel fixiert. Es sind zwei Fixierstifte vorhanden, der rechte Stift ist feststehend und sollte unversehrt bleiben. Verändern Sie nur die Position des Stifts auf der linken Seite.

Empfohlene Einstellungen:

Für Pools, deren kürzeste Seite höchstens 3 Meter beträgt (werksseitige Einstellung)



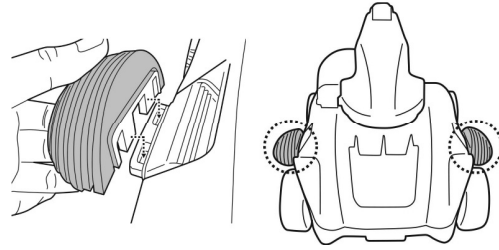
Für Pools, deren kürzeste Seite über 3 Meter beträgt



Stoßstange

Die Stoßstange ist optional und sollte in folgenden Situationen verwendet werden:

Wenn der Roboter den Beckenrand entlang fährt, kann man diesen Fahrtweg durch Montage einer Stoßstange an beiden Seiten des Roboters korrigieren.



Vorbereitung des Beckens

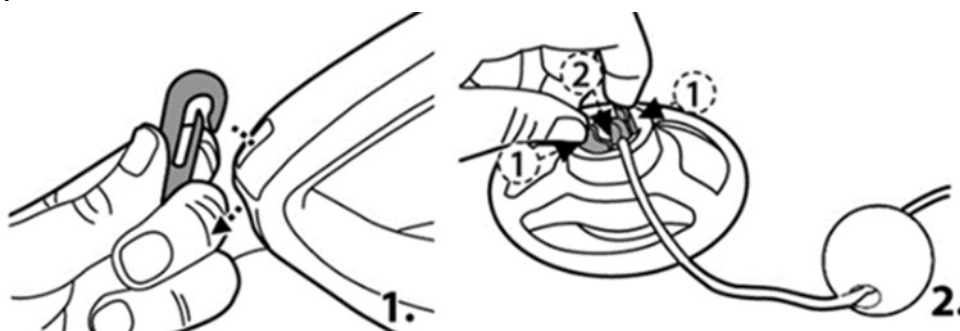
- Steine, Gras oder Pflanzen oder Rost vor Verwendung des Geräts vom Beckenboden entfernen. Ziehen Sie in Zweifelsfällen Fachpersonal zu Rate.
- Beschädigte, verschlissene oder rissige Beckenböden vor Verwendung des Geräts durch Fachpersonal instandsetzen oder auswechseln lassen.
- Leitern, Schwimmer und andere Objekte aus dem Pool entfernen, da sie mit dem Schwimmer des Roboters kollidieren und dadurch den Fahrweg des Poolroboters beeinflussen könnten.
- Bei einem Salzwasserpool müssen Sie sich vergewissern, dass das Salz komplett gelöst ist, bevor Sie den Roboter ins Wasser setzen.

WICHTIGER HINWEIS: Schalten Sie die Filteranlage aus (wie in der Filteranleitung angegeben), und zwar mindestens 15 Minuten vor Einsetzen des Roboters.

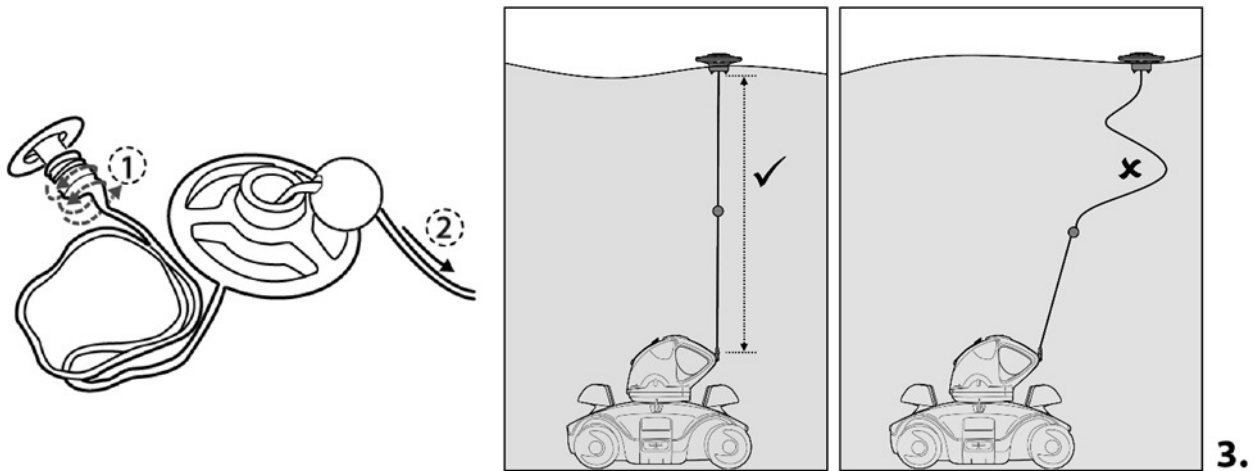
BEDIENUNG

WARNUNG!

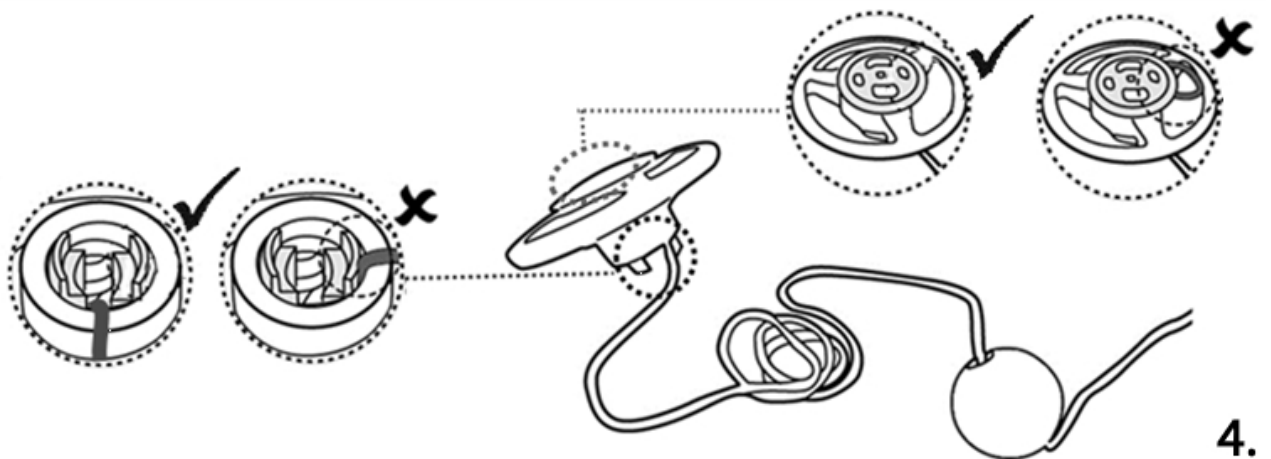
- Vergewissern Sie sich, dass das Gerät ausgeschaltet ist.
 - Stellen Sie sicher, dass der Ladestecker abgezogen und der Ladeanschluss mit der Schutzkappe versehen ist, bevor der Roboter eingesetzt wird.
1. Bringen Sie den Roboter zum Beckenrand. HINWEIS: Setzen Sie den Roboter nur von der Beckenseite aus ein (nicht von der Beckenecke) und achten Sie dabei darauf, dass er nach außen gerichtet ist. Befestigen Sie den Haken des Schwimmers am Griff des Schwenkkopfs. Drücken Sie den seitlichen Clip, um die Hülse im Schwimmer zu lösen.



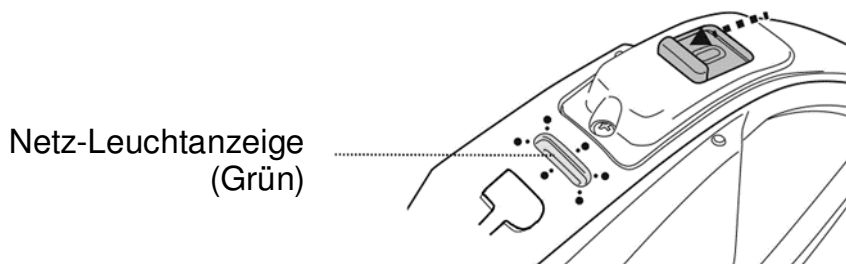
Lösen Sie die Leine an der Hülse auf eine Länge, die dem Abstand zwischen dem Handgriff des Roboters und dem Wasserspiegel entspricht. HINWEIS: Überlänge kann die Leine knicken und dadurch die Leistung beeinträchtigen



Nach Erreichen der gewünschten Länge fixieren Sie diese, indem Sie das Seil gegen die Hülse halten und diese wie dargestellt durch Drücken des seitlichen Clips wieder befestigen.



2. Tauchen Sie den Roboter im ausgeschalteten Zustand in den Pool ein und schütteln Sie ihn einige Male leicht, damit die Luft entweichen kann. Im Körper eingeschlossene Luft könnte zu einem unregelmäßigen Verhalten des Schwenkkopfes führen (d. h. wiederholtes Drehen im Becken für einige Minuten).



3. Schieben Sie den Netzschalter auf ON (während der Roboter noch untergetaucht ist) - die Kontrollleuchte leuchtet auf und aktiviert den Motor automatisch (Wasserstand, der die Sensoren am oberen Ende des Schwenkkopfes bedeckt). Lassen Sie den Roboter auf den Beckenboden sinken und beobachten Sie seine ersten Vorwärts- und Rückwärtsbewegungen über den Beckenboden. Lläuft er an der Beckenwand entlang

statt senkrecht, holen Sie ihn heraus und setzen Sie ihn erneut ein. Achten Sie dabei darauf, dass seine Vorder-/Rückseite der Beckenwand zugewandt ist.

Die LED beginnt zu blinken, wenn die Akkuladung unter 10 Minuten ist.

LED Betriebsanzeige:

Keine Licht - Ausgeschaltet / kein Akku

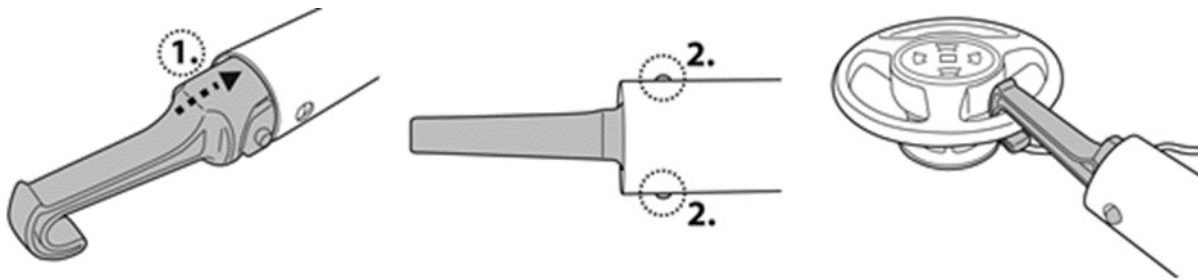
Licht - Eingeschaltet

Blinkendes Licht - Akku hält nur noch max. 10 Minuten.

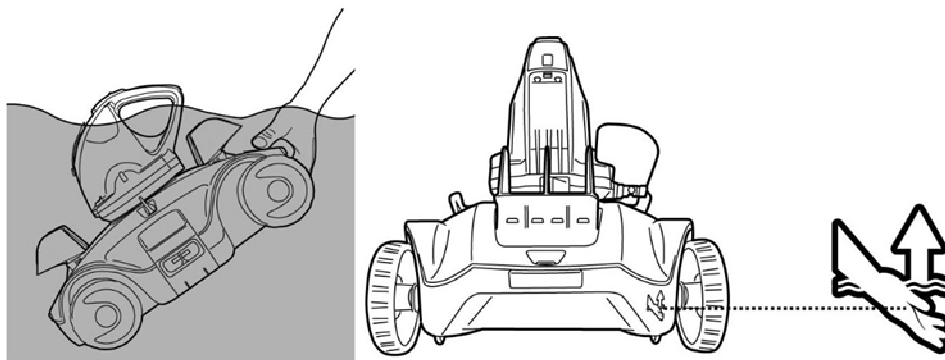
HINWEIS:

- Versuch Sie nie, beide Wassersensoren mit etwas anderem als Wasser in Kontakt zu bringen.

4. Um den Roboter aus dem Pool zu entnehmen, bringen Sie einen Haken an die Teleskopstange an (nicht inbegriffen) und verwenden Sie ihn, um den Schwimmer herauszuholen, sollten dies mit den Händen nicht möglich sein.



Sobald der Roboter die Wasseroberfläche erreicht, lokalisieren Sie den Griff, der sich unter dem Gehäuse befindet und mit dem Handsymbol gekennzeichnet ist (siehe Abbildung unten), um ihn aus dem Becken herauszuholen. Achten Sie darauf, den Roboter immer von diesem Ende aus zu greifen, um zu verhindern, dass Schmutz bei der Entnahme zurück in das Becken fällt



5. Schieben Sie den Schalter auf OFF. Spülen Sie den Poolroboter nach jedem Einsatz mit sauberem Wasser ab. Verwenden Sie dazu KEINE Reinigungsmittel.

6. Trocknen Sie den Ladeanschluss und die Pole gründlich (TIPP: Verwenden Sie Wattestäbchen zum Trocknen)

HINWEIS: Für eine effiziente Reinigung eines sehr verschmutzten Beckens wird empfohlen, das Schmutzfach (im Inneren des Roboters) nach den ersten 30 Minuten bzw. wenn der Roboter langsamer zu werden beginnt zu leeren. Danach den Roboter (mit dem ausgeleerten Schmutzfach) wieder ins Becken setzen, damit der Rest gereinigt werden kann.

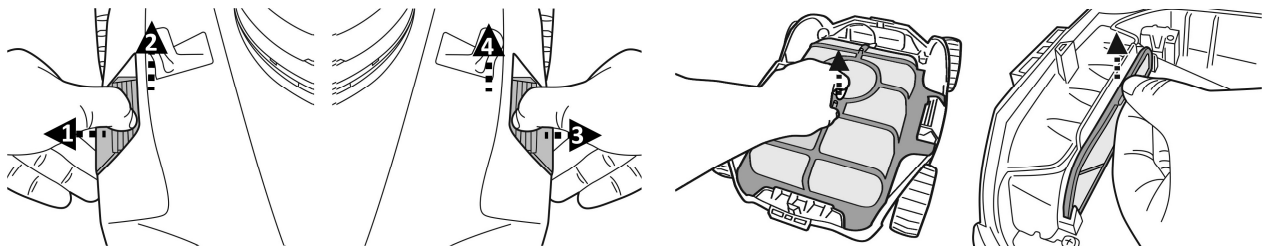
LEEREN DES SCHMUTZFACHS

WARNUNG! Ein Betrieb des Poolroboters ohne Filterabdeckung führt zum ERLÖSCHEN der Garantie.

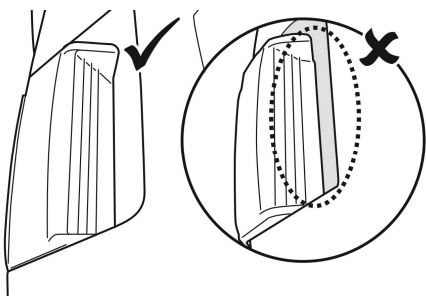
Um eine optimale Reinigungsleistung zu erzielen, Schmutzfach und Filterabdeckung nach jeder Verwendung reinigen.

VORSICHT! Bevor Sie das Schmutzfach reinigen, vergewissern Sie sich, dass der Roboter **AUSGESCHALTET** ist.

1. Stellen Sie das Reinigungsgerät auf eine ebene Fläche. Drücken Sie eine Seitenklammer nach außen, um eine Seite der Abdeckung anzuheben, und wiederholen Sie die gleichen Schritte auf der anderen Seite, um die Abdeckung komplett abnehmen und die Filterabdeckung und Filterplatte freilegen zu können.



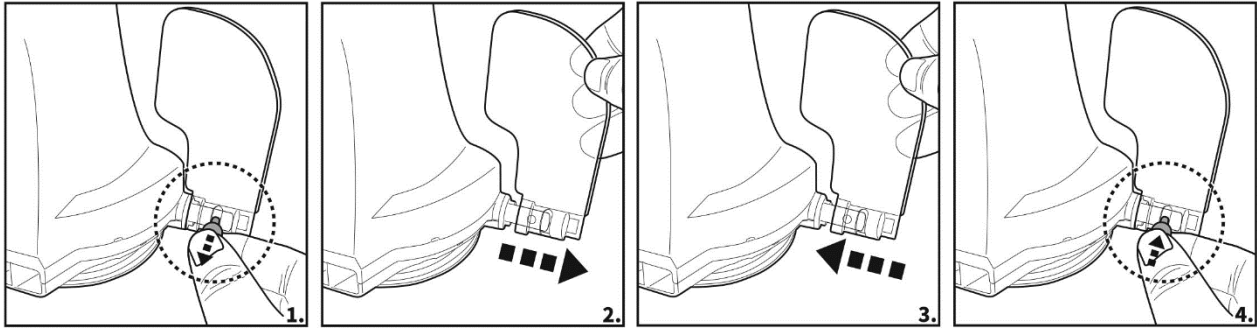
2. Reinigen Sie das Schmutzfach. Es wird empfohlen, das Netz der Filterabdeckung und den Ablauffilterteller unter laufendem Wasser zu reinigen. Ist der Einsatz einer Bürste notwendig, verwenden Sie nur eine weiche Bürste und reinigen Sie damit vorsichtig. Üben Sie dabei **KEINEN** Druck auf das Netz aus.
3. Vergewissern Sie sich nach der Reinigung, dass Ablauffilterteller und Filterabdeckung wieder korrekt sitzen und die obere Abdeckung sicher mit den Klammern befestigt wurde. Beide Klammern müssen so hineingedrückt werden, dass sie komplett im Gehäuse einrasten.



VORSICHT!

- Ersetzen Sie eine beschädigte Filterabdeckung sofort durch eine neue, bevor das Gerät erneut verwendet wird.
- Ersetzen Sie einen beschädigten Schwimmer sofort durch einen neuen, bevor Sie ihn erneut benutzen.
- Ersetzen Sie eine Seitenklappe sofort durch eine neue, bevor Sie ihn erneut benutzen.

Seitenklappeaustausch



WARTUNG UND LAGERUNG

HINWEIS:

1. Achten Sie darauf, die Bereiche um den Ladeanschluss und die Wassersensoren nach jedem Gebrauch zu reinigen und zu trocknen, um die Bildung von Ablagerungen (Nebenprodukt einer natürlichen chemischen Reaktion zwischen elektrischem Strom und Wasser) zu vermeiden. Andernfalls können Sie die Ablagerungen durch leichtes Schrubben mit einem mit Zitronensaft oder Essig getränkten Wattestäbchen entfernen.
 2. Während der Lagerung entlädt sich der Akku von selbst. Achten Sie darauf, den Poolroboter auf 30 - 50 % Akkukapazität aufzuladen, bevor er weggelegt wird.
 3. Sie müssen den Akku mindestens alle drei Monate aufladen, auch, wenn das Gerät nicht benutzt wird
- Trennen Sie den externen Netzadapter vom Netz und ziehen Sie dann das Ladestecker aus Adapter und Roboter..
 - Entfernen Sie etwaige Zubehörteile von dem Poolroboter. Falls nötig, spülen Poolroboter und Zubehörteile mit sauberem Wasser abspülen. Verwenden Sie dazu KEINE Reinigungsmittel.
 - Achten Sie darauf, dass Wasser aus dem Roboter ablaufen kann.
 - Reinigen Sie den Poolroboter und das Zubehör mit einem feuchten Tuch.
 - Lagern Sie die Teile in einem gut belüfteten Raum geschützt vor Sonneneinstrahlung, Hitze- oder Feuerquellen und Poolchemikalien und außerhalb der Reichweite von Kindern. Die Raumtemperatur während der Lagerung sollte zwischen 10°C – 25°C liegen (50°F – 77°F). HINWEIS: Eine höhere Lagertemperatur kann die Lebensdauer des Akku verkürzen.

WARNUNG!

Sie dürfen unter keinen Umständen den Schwenkkopf auseinanderbauen, um seine inneren Komponenten selbst zu ersetzen. Dies würde zum Erlöschen der Garantie führen, Sie potenziellen Gefahren aussetzen und möglicherweise das Gerät und andere Eigenschaften beschädigen

VORSICHT!

- Zu starke Hitze kann den Akku beschädigen und die Lebensdauer des Roboters verkürzen.

- Wenden Sie sich an den Händler, um den Akku auszutauschen, wenn Sie Folgendes feststellen:
 - Akku erscheint beschädigt oder lädt nicht vollständig auf.
 - Die Betriebsdauer mit einer Batterieladung ist wesentlich verkürzt. Beobachten und notieren Sie die Betriebsdauer, wenn das Gerät die ersten Male benutzt wird (nach vollständigem Aufladen). Verwenden Sie diese Aufzeichnungen als Referenz zum Vergleich der Betriebsdauer bei älteren Akkus.
- Der Akku muss vor dem Entsorgen des Roboters entfernt werden.
- Bevor der Akku entfernt wird, muss das Gerät von der Stromversorgung getrennt werden.
- Der Akku muss im Einklang mit den im Verwendungsland geltenden Vorschriften entsorgt werden.

HINWEIS: Eine fehlerhafte Wartung kann die Lebensdauer des Akkus verkürzen und zur Verringerung der Akkudauer führen.

ENTSORGUNG DES AKKUS(von einem autorisierten Techniker durchzuführen)

Ihr Poolsauger ist mit einem wartungsfreien, wiederaufladbaren Lithium-Ion-Akku ausgerüstet, der ordnungsgemäß entsorgt werden muss. Das Recycling ist vorgeschrieben; bitte fragen Sie Ihre lokale Behörde nach weiteren Informationen.

WARNUNG! Versuchen Sie nie, einen Akku auseinanderzunehmen.

- Entfernen Sie alle persönlichen Gegenstände wie Ringe, Armbänder, Ketten und Uhren, bevor Sie den Akku aus dem Poolroboter herausnehmen.
- Ein Akku kann einen Kurzschlussstrom auslösen, der hoch genug ist, um einen Ring (oder ähnliche Gegenstände) schmelzen zu lassen, was zu schweren Verbrennungen führen kann.
- Tragen Sie beim Entfernen des Akkus vollständigen Augenschutz, Handschuhe und Schutzkleidung.
- Vermeiden Sie eine Berührung aller Drähte gleichzeitig, und vermeiden Sie einen Kontakt zwischen den Drähten und anderen Metallgegenständen, weil dies zu Funken oder zu einem Kurzschluss des Akkus führen kann.
- Rauchen Sie in der Nähe des Akkus nicht und achten Sie darauf, dass es in der Nähe des Akkus oder des Poolroboters nicht zu Feuer oder Funkenflug kommt.
- Setzen Sie den Akku weder Feuer noch starker Hitze aus, da dies zu einer Explosion führen kann

VORSICHT!

Sollte der Akku tropfen oder auslaufen, vermeiden Sie den Kontakt mit der austretenden Flüssigkeit und stecken Sie den Akku in einen Plastikbeutel.

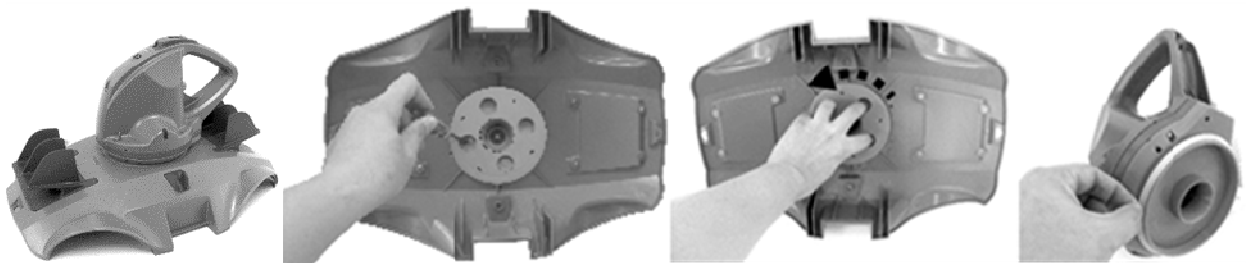
- Kommt die austretende Flüssigkeit in Kontakt mit Haut oder Kleidung, waschen Sie sie sofort mit viel Seife und Wasser ab.
- Kommt die austretende Flüssigkeit in Kontakt mit den Augen, reiben Sie die Augen

nicht, sondern spülen Sie sie sofort mindestens 15 Minuten lang mit fließend kaltem Wasser aus, ohne die Augen zu reiben. Suchen Sie so schnell wie möglich einen Arzt auf.

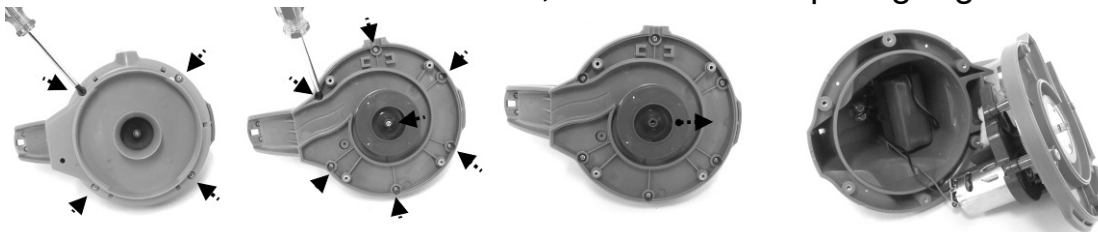
Entfernen den Akku nur zu dessen Entsorgung (von einem autorisierten Techniker durchzuführen)

Empfohlene Werkzeuge (nicht mitgeliefert): Schraubenzieher.

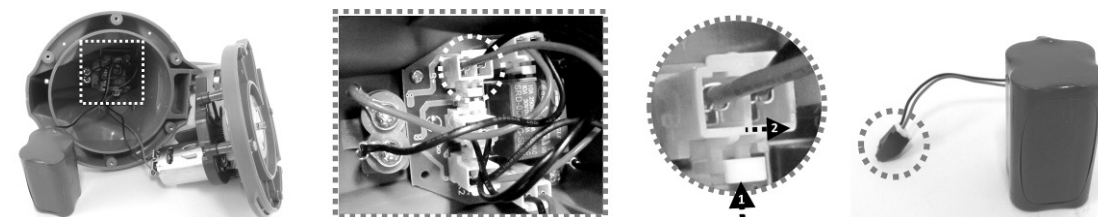
1. Befolgen Sie die Anweisungen im Abschnitt „Leeren des Schmutzfachs“ zum Entfernen der oberen Abdeckung (werkseitig mit Schwenkkopf verbunden). Drehen Abdeckung um und lösen Sie mit dem Schraubenzieher die Schraube an der unteren Verriegelungsplatte. Drehen Sie die untere Verriegelungsplatte gegen den Uhrzeigersinn, um den Schwenkkopf freizugeben. Entfernen Sie den Schwenk-Ausgleichsring.



2. Lösen Sie mit dem Schraubenzieher die 4 Schrauben an der Unterseite des Schwenkkopfs, um die Platte zu entfernen. Mit dem Schraubenzieher alle Schrauben wie gezeigt lösen. Den Impeller entfernen und anschließend nach oben ziehen und entfernen, so dass der Kopf zugänglich ist.





3. Akku herausnehmen, so dass PCBA zugänglich ist. Um die Anschlussdrähte vom Akku zu lösen, auf den Clip am Stecker drücken und dann herausziehen. HINWEIS: Umwickeln Sie den Stecker sofort mit Isolierband, um einen Kurzschluss durch einen Kontakt der beiden Drahtenden zu vermeiden



STÖRUNGSBESEITIGUNG

Störung	Mögliche Ursache	Lösung
Robot startet nicht unter Wasser.	Verschmutzte Wassersensoren	Verwenden Sie zum Reinigen und Entfernen der Flecken einen mit Zitronensaft oder Essig getränkten Wattestäbchen.
Der Poolroboter saugt den Schmutz nicht auf.	Akku ist zu schwach.	Roboter aufladen.
	Impeller ist blockiert	Schalten Sie den Poolroboter aus und prüfen Sie visuell an der Öffnung unter dem Schwenkkopf, ob der Impeller durch größere Schmutzteile blockiert ist. Falls notwendig fragen Sie Ihren Händler um Rat. WARNUNG! Bitte achten Sie darauf, dass der Poolroboter ausgeschaltet ist, wenn Wartungsarbeiten an dem Gerät durchgeführt werden.
	Saugdüse ist verstopft	Entfernen Sie die Fremdkörper aus der Saugdüse.
	Impeller ist kaputt	Bitte wenden Sie sich zum Austausch an Ihren Händler.
Roboter stoppt in der Mitte des Beckens, aber der Schwenkkopf dreht sich weiter	Schmutzfach ist voll	Reinigen Sie Schmutzfach und Filterabdeckung.
	Roboter wird von einem Hindernis oder großen Falten in der Poolfolie gestoppt.	Sicherstellen, dass der Reiniger nicht verstopft ist. Hindernis entfernen.
Roboter wird durch das Ansaugen vom Hauptabfluss im Beckenboden gestoppt.	Roboter wird von einem Hindernis oder großen Falten in der Poolfolie gestoppt.	Sicherstellen, dass der Reiniger nicht verstopft ist. Hindernis entfernen.
	Roboter wird durch das Ansaugen vom Hauptabfluss im Beckenboden gestoppt.	Schalten Sie die Filteranlage aus wie in der Anleitung beschrieben.
Schwenkkopf dreht sich mehrfach komplett	Aire atrapado en el interior del robot	Tauchen Sie den Roboter im ausgeschalteten Zustand ein und schütteln Sie ihn einige Male leicht, damit die Luft entweicht, bevor Sie ihn einschalten (während der Roboter untergetaucht ist). Der Schwenkkopf kann sich nach dem Absenken des Roboters auf den Beckenboden für kurze Zeit wiederholt drehen. Dieses Phänomen hört auf, sobald die im Roboter eingeschlossene Luft entweicht, und der Roboter beginnt, sich regelmäßig zu bewegen..
Roboter reinigt nicht den ganzen Beckenboden	Schmutzfach ist voll	Schmutzfach reinigen
	Akkudauer kürzer als erwartet	Schmutzfach/Filter reinigen und den Roboter erneut für 6 Std. aufladen
	Bewegungsrichtung wird durch die von der Filteranlage verursachte Wasserzirkulation unterbrochen	Filteranlage mindestens 15 Minuten vor den Roboterbetrieb ausschalten (wie in der Filteranleitung angegeben).
	Rad ist blockiert	Rad auf Schmutz überprüfen und bei Bedarf reinigen.
	Position der Radachse ist nicht korrekt eingestellt. Stoßstange erforderlich.	Befolgen Sie die Anleitung zur Einstellung der Radachse und montieren Sie die Stoßstange.
	Der Roboter fährt an der Beckenwand eines runden Pools entlang.	Vergewissern Sie sich, dass die Stoßstange wie in der Anleitung beschrieben montiert wurde.
	Deformierter Abstreifer/Bürste	Legen Sie sie in für einige Stunden in die Sonne, um sie auszurichten. Ersetzen Sie sie durch einen neuen Abstreifer/Bürste, sofern erforderlich.
	Abstreifer/Bürste und Schrubber werden gleichzeitig verwendet	Entfernen Sie entweder den Schrubber oder Abstreifer/Bürste.
	Algen machen den Poolboden rutschig, sodass der Roboter sich	Schrubben Sie den Poolboden und die Roboterrollen, um die Algen zu entfernen

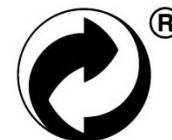
	im Kreis dreht.	
Roboter bewegt sich parallel zur Beckenwand.	Position der Radachse ist nicht richtig eingestellt/Stoßstange erforderlich.	Befolgen Sie die Anleitung zur Einstellung der Radachse und montieren Sie die Stoßstange.
Der Roboter ist an einer engen Stelle am Beckenboden eingeklemmt.	Es ist nicht genug Platz, damit der Roboter die Richtung wechseln kann.	Vergewissern Sie sich, dass die Stoßstange an beiden Enden des Roboters montiert wurde.
Roboter bewegt sich langsam oder überhaupt nicht.	Schmutzfach ist voll oder die Filterabdeckung ist verstopft.	Reinigen Sie das Schmutzfach. Spülen Sie das Sieb mit Wasser, um kleine Partikel zu entfernen. Muss das Sieb gebürstet werden, verwenden Sie eine weiche Bürste, um das Sieb sanft zu reinigen. Hinweis: Vergewissern Sie sich, dass die Filterabdeckung vor dem nächsten Vorgang eingebaut ist.
	Saugdüse ist verstopft.	Entfernen Sie die Fremdkörper aus der Saugdüse.
	Deformierter Abstreifer/Bürste	Legen Sie sie in für einige Stunden in die Sonne, um sie auszurichten. Ersetzen Sie sie durch einen neuen Abstreifer/Bürste, sofern erforderlich.
	Abstreifer/Bürste und Schrubber werden gleichzeitig verwendet	Entfernen Sie entweder den Schrubber oder Abstreifer/Bürste.
	Impeller ist verklemmt.	Schalten Sie den Roboter aus und prüfen Sie über das Loch unter dem Schwenkkopf, ob der Impeller von großen Fremdkörpern blockiert wird. Wenden Sie sich erforderlichenfalls an Ihren Händler, um weitere Anweisungen zu erhalten. WARNUNG! Vergewissern Sie sich, dass der Roboter ausgeschaltet ist, bevor Wartungstätigkeiten durchgeführt werden.
Der Schwenkkopf dreht sich nicht oder nur sehr langsam.	Seitenklappe klappt nicht nach oben.	Entfernen Sie Fremdkörper/Schmutz an der Klappe.
	Schwenkkopfboden ist verklemmt	Nehmen Sie den Schwenkkopf und den Ausgleichsring gemäß den Anweisungen im Abschnitt „Herausnehmen des Akkus“ in der Anleitung, anschließend: <ul style="list-style-type: none"> - entfernen Sie den festgesetzten Schmutz - prüfen Sie den Ausgleichsring auf mögliche Schäden und Verschleiß. Ersetzen Sie ihn gegebenenfalls durch einen neuen. - überprüfen Sie, dass der Ausgleichsring und die Grundplatte korrekt installiert sind (siehe nachstehende Abbildungen)
Schmutz fällt aus dem Roboter	Saugdüsenklappe (am Boden des Reinigers) ist beschädigt.	Die Saugdüsenklappe wirkt wie eine Tür, die verhindert, dass der Schmutz aus dem Filter herausfällt. Wenden Sie sich wegen der entsprechenden Ersatzteile und Anweisungen an

		Ihren Händler.
	Saugdüse durch Schmutz verstopft, sodass die Klappe nicht schließt.	Schmutz von der Saugdüse entfernen.
	Ablauffilterteller ist kaputt oder verrutscht	Vergewissern Sie sich, dass der Ablauffilterteller einwandfrei montiert ist und tauschen Sie ihn bei Bedarf aus.
Schmutz befindet sich außerhalb der Filterabdeckung	Sieb der Filterabdeckung ist beschädigt	Tauschen Sie den Filterabdeckung durch einen neuen von Ihrem Händler aus.
Schwimmer sinkt	Schwimmer ist kaputt und es dringt Wasser ein	Tauschen Sie den Schwimmer durch einen neuen von Ihrem Händler aus.
Rückholleine ist geknickt	Rückholleine ist zu lang	Länge gemäß Bedienungsanleitung kürzen
Die Dauer des Reinigungszyklus ist kürzer als beschrieben	Der Akku ist nicht vollständig geladen.	Laden Sie den Roboter mindestens 6 Stunden lang auf. HINWEIS: Falls Flecken auf den Ladepolen vorhanden sind, entfernen Sie diese mit einem mit Zitronensaft oder Essig getränkten Wattestäbchen.
Poolroboter kann nicht geladen bzw. erneut geladen werden	Akku ist beschädigt	Wenden Sie sich wegen einer neuen Akku-Batterie an Ihren Händler. WARNUNG! Roboter NIE selbst öffnen und Akku NICHT selbst auswechseln. Dies kann schwere bis tödliche Verletzungen zur Folge haben, und die Garantie für das Gerät erlischt in einem solchen Fall.
	Der Ladestecker ist nicht korrekt mit Adapter und Roboter verbunden.	Vergewissern Sie sich, dass der Ladestecker korrekt mit den Adapter und dem Roboter verbunden ist. Siehe Betriebsanleitung.
	Der externe Adapter ist kaputt.	Wenden Sie sich wegen eines neuen Teils an Ihren Händler. WARNUNG! Wird ein falscher Netzadapter verwendet, kann das zu Schäden an dem Poolsauger und/oder der Batterie führen und lässt die Gewährleistung erlöschen.
Umweltprogramme, WEEE-Richtlinie der EU		
	Bitte respektieren Sie die geltenden EU-Vorschriften und helfen Sie beim Umweltschutz mit. Bringen Sie nicht mehr funktionierende Elektrogeräte zu einer Stelle, die von Ihrer Gemeinde für die Rücknahme solcher Geräte vorgesehen ist und die elektrische und elektronische Geräte ordnungsgemäß recycelt. Entsorgen Sie diese Geräte nicht mit dem Restabfall. Bei Geräten, die herausnehmbare Batterien / Akkus enthalten, entfernen Sie vor der Entsorgung bitte erst die Batterien.	
	© 2020 Kokido Development Ltd. 20009011 Alle Rechte vorbehalten. Ohne die vorherige schriftliche Genehmigung der Kokido Development Ltd. darf dieses Dokument weder ganz noch in Teilen vervielfältigt oder in anderer Weise übertragen werden, gleich ob durch elektronische oder mechanische Verfahren oder durch Photokopie, Tonaufnahmen oder andere Verfahren. (V1)	

Wird eine Kopie dieser Anleitung benötigt, wenden Sie sich bitte an unseren Kundendienst unter folgender E-Mail-Adresse: customerservice@kokido.com

BEDIENUNGSANLEITUNG GUT AUFBEWAHREN

- GB** We reserve the right to change all or part of the features of the articles or contents of this document, without prior notice.
International patents pending
- FR** Nous nous réservons le droit de modifier tout ou partie des caractéristiques des articles ou des contenus de ce document, sans notification préalable.
Brevets internationaux en attente
- ES** Nos reservamos el derecho de modificar la totalidad o parte de las características de los artículos o contenidos de este documento sin aviso previo.
Patentes Internacionales pendientes
- NL** Wij behouden ons het recht voor om zonder voorafgaande kennisgeving de artikelen of de inhoud van dit document te wijzigen.
In afwachting van internationale patenten
- IT** Ci riserviamo il diritto di modificare integralmente o parzialmente le caratteristiche degli articoli o del contenuto del presente documento senza preavviso.
Patenti internazionali in attesa
- DE** Wir behalten uns das Recht vor, Aspekte der Artikel bzw. den Inhalt dieses Dokuments jeweils ganz oder teilweise ohne vorherige Ankündigung zu ändern.
International zum Patent angemeldet



NB-V1-20009011

Manufacturer / Fabricant / Fabricante / Fabrikant / Fabbricante/Hersteller:

Kokido Development Limited. Unit 1319, Sunbeam Centre, 27 Shing Yip Street, Kwun Tong, Kowloon, HK
Made in China / Fabriqué en Chine / Fabricado en China / Fatto in Cina / Hergestellt in China / Gemaakt in China