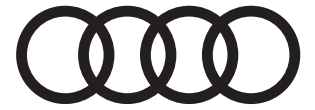


RS Q3

Sportback



 **PREMIUM AUTOMOBILES**

281 Alexandra Road Singapore 159938 Tel: 6836 2223
55 Ubi Road 1 Singapore 408699 Tel: 6366 2323

TECHNICAL DATA

RS Q3 Sportback 2.5 TFSI quattro S tronic

ENGINE

Propellant	Petrol
Type	5-cylinder inline engine with direct fuel injection and turbocharger
Valves	20
Engine capacity	2,480
Max output kW (hp)/rpm	294 (400) / 5,850 – 7,000
Max torque (Nm)/rpm	480 / 2,250 – 5,850

TRANSMISSION

Gearbox	7-speed S tronic transmission
Drive	quattro permanent all-wheel drive

PERFORMANCE

Acceleration 0–100km/h	4.5
Top speed (km/h)	250
Fuel consumption (combined) in l/100km	10.3
VES banding	C2
Start/stop system	Yes

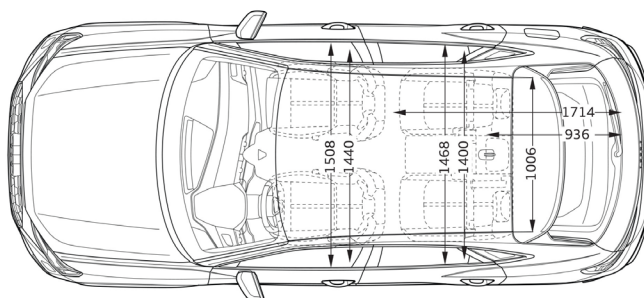
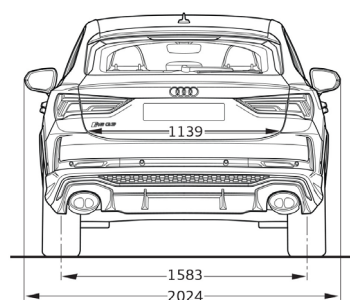
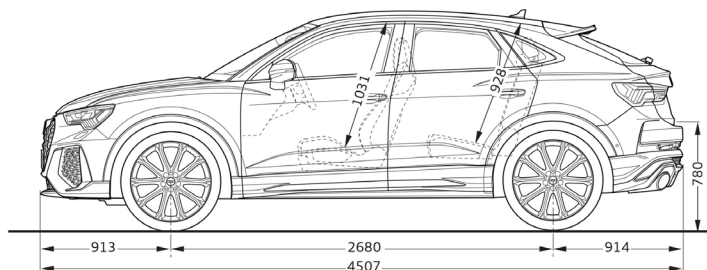
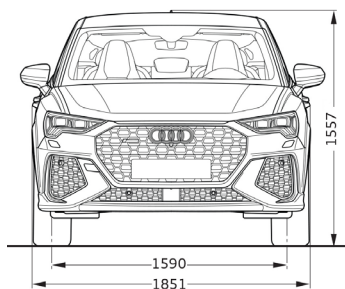
CHASSIS

Steering	Progressive steering
Front suspension	MacPherson strut
Rear suspension	4-link axle with separate springs and dampers

BRAKES

Front	Ventilated discs
Rear	Ventilated discs
Braking assistance	Anti-lock Braking System (ABS)

Measurements (All in mm)



Dimensions are based on technical data from Audi Germany.
Actual specifications may vary from models shown.

Wheelbase	2,680
Length	4,507
Height	1,557
Width (mirrors folded/unfolded)	1,851 / 2,024
Track (front/rear)	1,590 / 1,583
Kerb weight (kg)	1,700
Luggage volume (litres)	530
Fuel tank (litres)	61

STANDARD EQUIPMENT	
	RS Q3 Sportback 2.5 TFSI quattro S tronic
SAFETY	
Front and side airbags with head airbag system	•
Full size airbags for driver and front passenger	•
TECHNOLOGY AND ASSISTANCE SYSTEMS	
Audi drive select with efficiency mode	•
Audi pre sense basic	•
Audi pre sense front	•
Convenience key with sensor-controlled luggage compartment lid release (without safelock)	•
Cruise control	•
Lane departure warning	•
Luggage compartment lid, electrically opening and closing	•
Parking aid plus with 360 degree cameras	•
RS sport exhaust system	•
RS sport suspension plus	•
EXTERIOR DESIGN	
Exterior mirror housings in aluminium look	•
LED daytime running lights	•
Matrix LED headlights in dark-tinted glass with dynamic indicators	•
LED rear lights with dynamic indicators	•
Rear spoiler in body colour with spoiler lip in gloss black	•
RS bumpers	•
RS logo entrance LED lights at front doors	•
WHEELS	
Alloy wheels, 5-arm trigon design, titanium grey, gloss turned finish, 8.5J x 21 with 255/35 R21 tyres	•
Tyre pressure loss indicator	•
Tyre repair kit	•
COMFORT	
3-zone deluxe automatic air conditioning	•
Ambient lighting package plus	•
Electrically adjustable front RS sport seats with 4-way lumbar support and heating function for driver and passenger's seat	•
Seat upholstery in fine nappa leather and trim with honeycomb pattern	•
INTERIOR DESIGN	
Door sill trims with aluminium inlays and illuminated with RS Q3 lettering at front	•
Inlays in aluminium race, anthracite	•
Pedals and footrest in stainless steel	•
Sport contour leather steering wheel, 3-spoke, flat-bottomed with multifunction plus and shift paddles	•
Storage and luggage compartment package	•
INFOTAINMENT	
Audi connect*	•
Audi smartphone interface	•
Audi virtual cockpit plus	•
SONOS 3D premium sound system	•
MMI navigation plus with MMI touch response	•

LED headlights with high-beam assist



Fine nappa leather seat upholstery with honeycomb pattern



RS bumpers



Actual specifications may vary from model shown.

Information is accurate as at March 2024