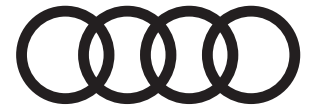


RS 7

Sportback



 **PREMIUM AUTOMOBILES**

281 Alexandra Road Singapore 159938 Tel: 6836 2223
55 Ubi Road 1 Singapore 408699 Tel: 6366 2323

TECHNICAL DATA

RS 7 Sportback performance 4.0 TFSI quattro tiptronic

ENGINE

Propellant	Petrol
Type	V8 bi-turbo engine with direct fuel injection, turbocharging and Audi valvelift system
Valves	32
Engine capacity	3,996
Max output kW (hp)/rpm	463 (630) / 6,000
Max torque (Nm)/rpm	850 / 2,300 – 4,500

TRANSMISSION

Gearbox	8-speed tiptronic transmission
Drive	quattro permanent all-wheel drive

PERFORMANCE

Acceleration 0–100km/h	3.4
Top speed (km/h)	280
Fuel consumption (combined) in l/100km	13.2
VES banding	C2
Start/stop system	Yes

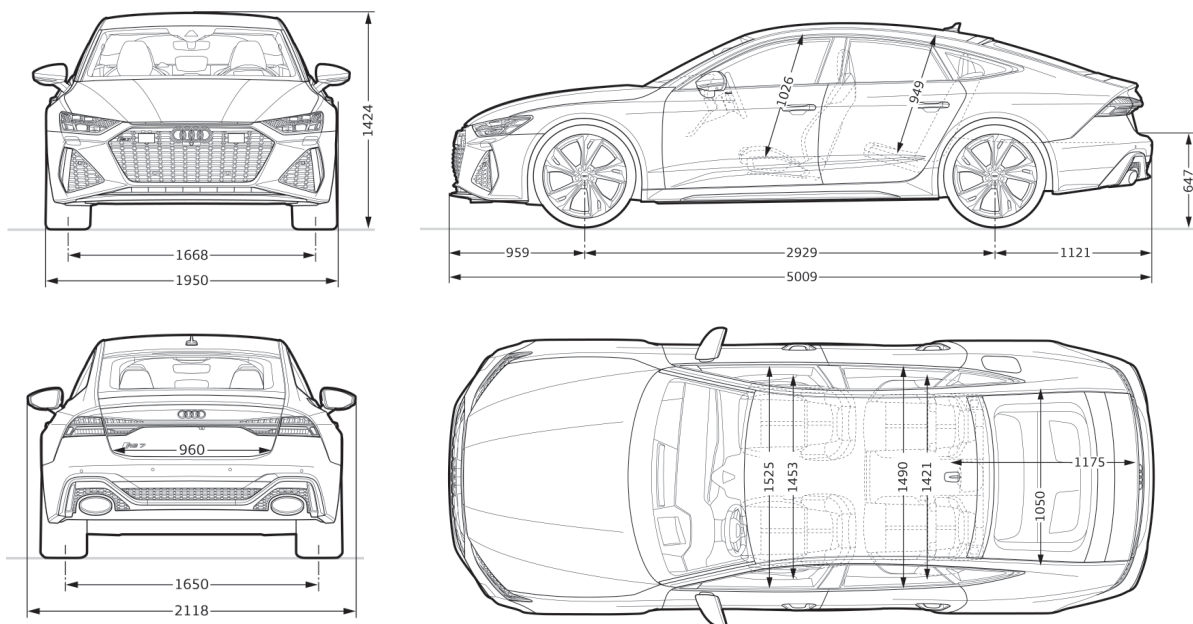
CHASSIS

Steering	Electromechanical progressive steering
Front suspension	Multi-link
Rear suspension	Multi-link

BRAKES

Front	Ventilated discs
Rear	Ventilated discs
Braking assistance	Anti-lock Braking System (ABS)

Measurements (All in mm)



Dimensions are based on technical data from Audi Germany. Actual specifications may vary from models shown.

Wheelbase	2,929
Length	5,009
Height	1,424
Width (mirrors folded/unfolded)	1,950 / 2,118
Track (front/rear)	1,668 / 1,650
Turning circle (m)	12.1
Kerb weight (kg)	2,065
Luggage volume (litres)	523
Fuel tank (litres)	73

STANDARD EQUIPMENT

RS 7 Sportback performance
4.0 TFSI quattro tiptronic

SAFETY

Front airbags with front passenger airbag deactivation	•
Front and rear side airbags with head airbag system	•

TECHNOLOGY AND ASSISTANCE SYSTEMS

48V mild hybrid system	•
Audi drive select with efficiency mode	•
Audi pre sense front and rear	•
Convenience key with sensor-controlled luggage compartment lid release (with safelock)	•
Adaptive cruise assist and adaptive cruise control	•
Dynamic all-wheel steering	•
Lane change warning with exit warning and rear cross traffic assist	•
Lane departure warning	•
Park assist plus with 360 degree cameras	•
quattro with sport differential	•
RS adaptive air suspension	•
RS sport exhaust system	•

EXTERIOR DESIGN

HD Matrix LED headlights with Audi laser light, RS light sequencing and dynamic indicators	•
LED daytime running lights	•
LED rear lights with dynamic indicators and RS light sequencing	•
Panoramic glass sunroof	•
RS bumpers	•
RS exterior features and exterior mirror housings in matte grey	•

WHEELS

RS steel brakes system with brake callipers in gloss red	•
Tyre pressure monitoring system	•
Wheels in 5-V spoke structure design, anthracite black, gloss turned finish, 10.5J x 22 with 285/30 R22 tyres	•

COMFORT

4-zone deluxe automatic air conditioning	•
Electrically adjustable front RS sport seats with 4-way lumbar support, heating and ventilation, including memory function for driver's seat	•
Seat upholstery in perforated valcona leather with "RS" embossing and trim with honeycomb pattern	•

INTERIOR DESIGN

Decorative inserts in carbon twill structure	•
Electrically adjustable sport contour leather steering wheel, 3-spoke, flat bottomed with multifunction, steering wheel heating and shift paddles	•
Operating buttons in gloss black with haptic feedback and extended aluminium look	•
RS door sill trims with aluminium inlays and illuminated with RS logo at front	•

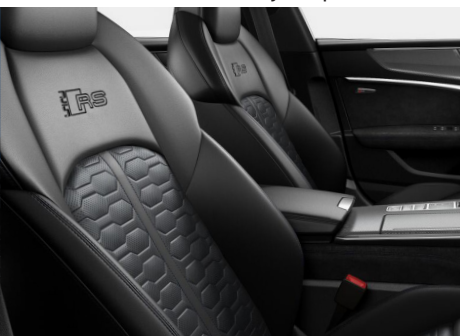
INFOTAINMENT

Audi connect*	•
Audi virtual cockpit plus with additional RS layout	•
Bang & Olufsen 3D premium sound system	•
Head-up display	•
MMI navigation plus with MMI touch response	•
USB ports with charging function in rear	•

HD Matrix LED headlights with Audi laser light



Perforated valcona leather with honeycomb pattern



LED rear lights with dynamic indicators and RS light sequencing



Actual specifications may vary from model shown.

*Audi connect - Audi connect navigation and infotainment, Audi connect emergency call and service including security and convenience.

Information is accurate as at January 2024