

SUBITO COTTO MINI

Portable residential woodburning oven / Patent Pending - Mod. MINI



Subito Cotto MINI is a real little refractory gas pizza oven, the first of it's kind, fully portable and weighing less than 45 KG. It has an inside diameter of 40 cm and reaches a temperature of 450° C (750 F°) in just 30 minutes. The MINI is ideal for baking pizza (33/34cm of diameter) and can be placed either in the house or outside, in the garden, in a balcony or on a terrace.

Thanks to the refractory dome, the oven, even when it is switched off, keeps the heat inside and can be cooked many other dishes as meat, fish, bread, vegetables and sweets. The oven is supplied with a gas burner produced in Italy, compatible with traditional GAS, Propane/GPL or Methane.

Subito Cotto MINI is a certified product 100% Made in Italy, all the elements and the components of the Subito Cotto line are produced in Italy in a single factory completely handmade.



Ready to use,
indoor or outdoor



1 Pizza
Capacity



Weight
45 Kg

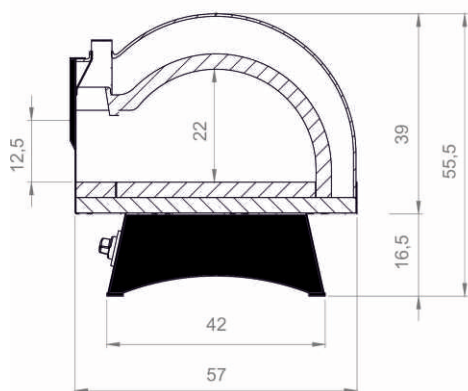


Temp. in 30 min
450 C° / 750 F°

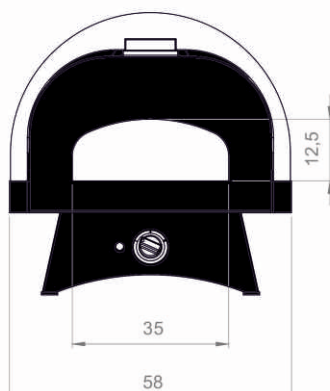


Gas (Max)
1,2 Kg/h

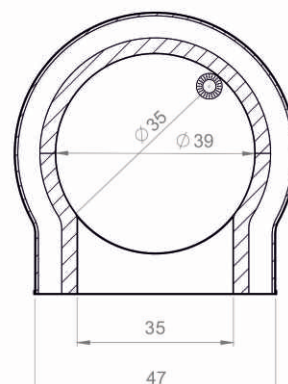
Oven Dimensions



Cross section



Frontal view



Base