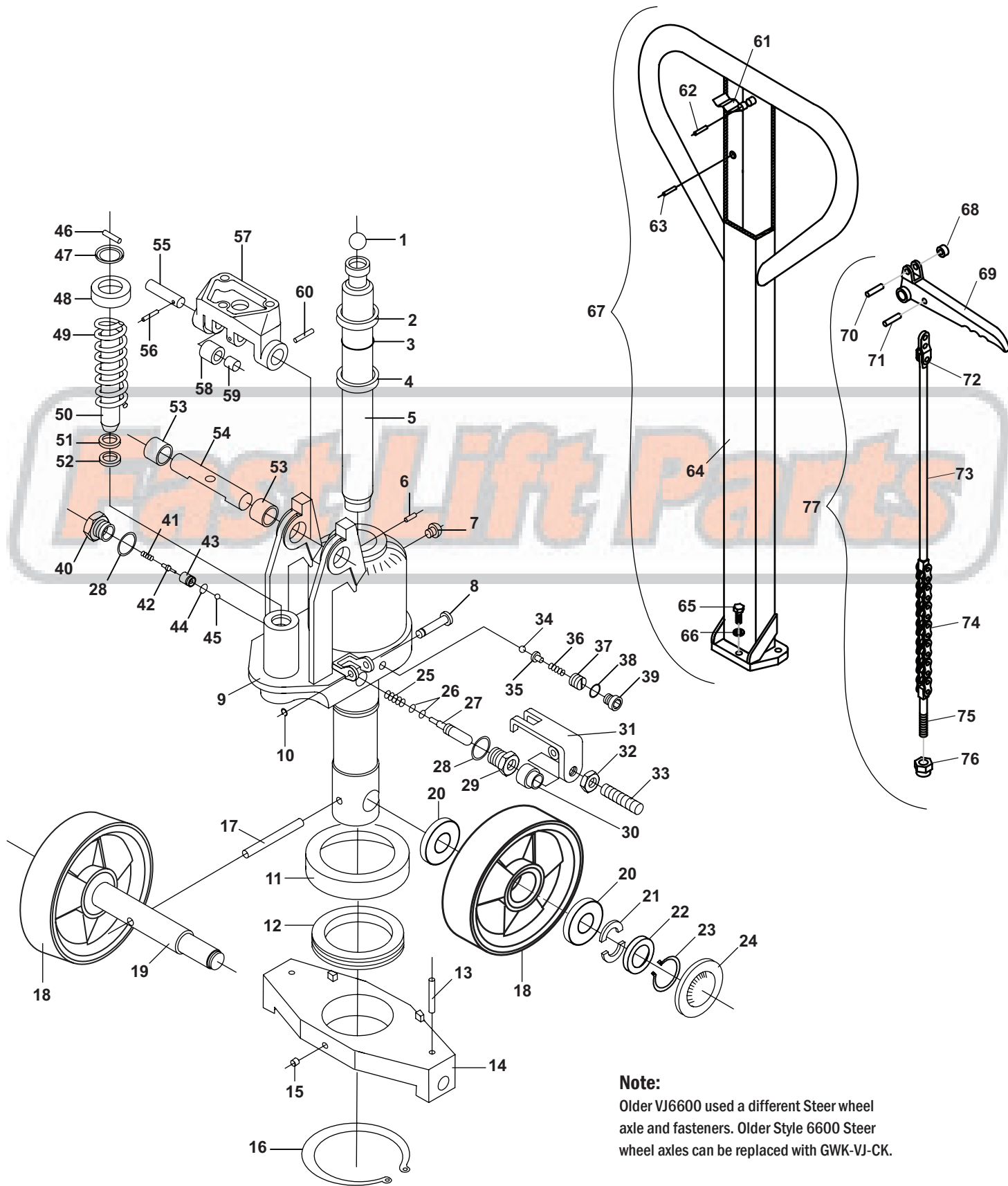


Valu-Jack 5500 & 6600 Hydraulic Unit



Note:
Older VJ6600 used a different Steer wheel axle and fasteners. Older Style 6600 Steer wheel axles can be replaced with GWK-VJ-CK.

Valu-Jack 5500 & 6600 Hydraulic Unit

Item	Part No.	Description
1	66146	Ball
2	A 66148	Scraper
3	A 66143	O-Ring
4	A 66144	U-Cup
5	66147	Ram
6	66157	Roll Pin
7	A 66149	Oil Plug
8	66145	Shaft
9	66156	Pump Body
10	66114	Retaining Ring
11	66121	Bearing Cover
12	66122	Thrust Bearing
13	66123	Roll Pin
14	66118	Traverse
15	66119	Grease Fitting (Threaded)
16	66120	Snap Ring
17	66115	Roll Pin
18	66216-HD	Steer Wheel Assembly, Red Ultra-Poly On Aluminum Hub W/ Bearings
	66216-ST	Steer Wheel Assembly, Black Poly On Nylon Hub W/ Bearings
	66216-S	Steer Wheel Assembly, Steel W/ Bearings
	66216-N	Steer Wheel Assembly, Nylon
	GWK-VJ-CK	Complete Wheel Kit, (2) Ultra-Poly Load Roller Assemblies (70D), (2) Poly Steer Wheel Assemblies, W/ Bearings, Axles & Fasteners
19	66117	Steer Wheel Axle (older style)
	66117A	Steer Wheel Axle
20	66128	Bearing
21	66126	Tab Washer (Older Style)
	66126A	Split Ring
22	66125	Round Nut (Older Style)
	66125A	Retaining Washer
23	66127	Retaining Ring
24	66124	Hub Cap
25	66129	Spring
26	A 66130	O-Ring
27	66131	Release Pin
28	A 66107	O-Ring
29	66136	Release Pin Guide
30	A 66137	Rubber Cushion
31	66132	Release Lever
32	66134	Lock Nut
33	66133	Adjustment Screw
34	6643	Steel Ball

Item	Part No.	Description
35	6644	Ball Base
36	6645	Spring
37	6646	Plug
38	6619	O-Ring
39	6620	Plug
40	66106	Plug
41	66108	Spring
42	66109	Valve Cone
43	66110	Valve
44	A 66111	O-Ring
45	66112	Valve
46	669	Roll Pin
47	668	Pin Retainer
48	667	Spring Cap
49	66103	Handle Return Spring
50	665	Pump Piston
51	A 664	Scraper
52	A 662	U-Cup
53	6621	Bushing
54	6622	Shaft
55	6626	Handle Pin
56	6625	Roll Pin
57	6627	Handle Bracket
58	66152	Pressure Roller
59	6623	Bushing
60	6628	Roll Pin
61	66602	Blade Spring
62	66604	Roll Pin
63	66606	Roll Pin
64	66631	Handle Frame
65	66632	Bolt
66	66633	Lock Washer
67	66616	Handle Assembly, Includes Items 61-64, 67-76
68	66603	Roller
69	66608	Control Lever
70	66605	Roll Pin
71	66607	Roll Pin
72	66613	Pin
73	66609	Pull Rod
74	66612	Chain
75	66614	Connecting Screw
76	66615	Nut
77	66609-A	Control Rod Assembly, Includes Items 68-76
KITS	A 66150	Seal Kit
	66156A	Pump Assembly - New