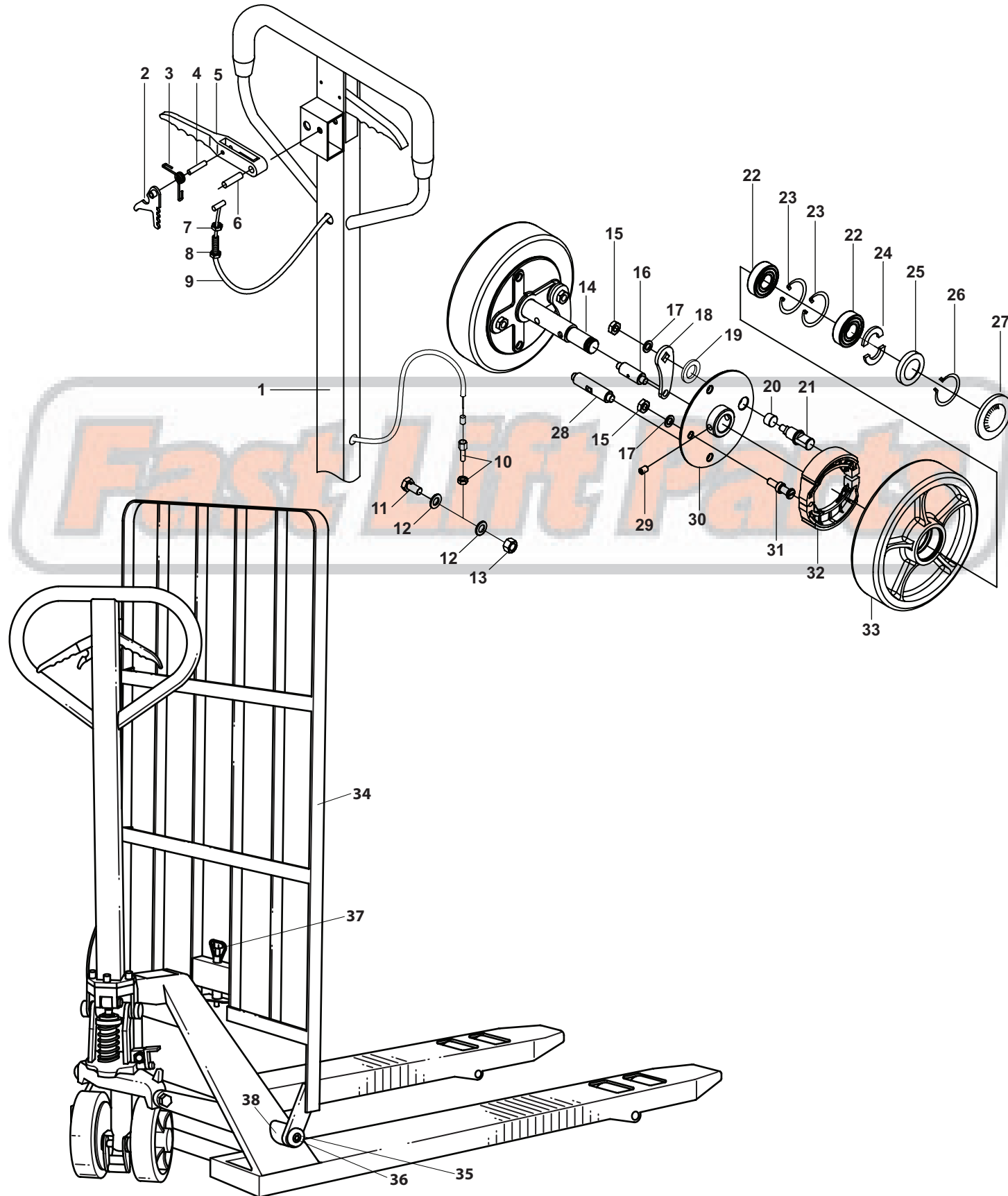


Valu-Jack 5500 & 6600 Backrest & Brake



Valu-Jack 5500 & 6600 Backrest & Brake

Item	Part No.	Description
1	66S9	Brake Handle Frame
2	66S1	Locking Lever
3	66S2	Spring
4	66S3	Spring Pin
5	66S4	Brake Lever
6	66S5	Spring Pin
7	66S6	Nut
8	66S7	Bolt
9	66S8	Brake Cable
10	66S21	Adjustment Screw
11	66S10	Bolt
12	66S11	Washer
13	66S12	Nut
14	66S26	Shaft
15	66S14	Nut
16	66S27	Shaft
17	66S16	Washer
18	66S28	Lever Plate
19	66S35	Washer
20	66S24	Bushing
21	66S25	Shaft
22	66S29	Bearing
23	66S30	Snap Ring
24	66S31	Split Ring
25	66S32	Washer
26	66S33	Snap Ring
27	66S34	Dust Cover
28	66S13	Shaft
29	66S15	Set Screw
30	66S17	Brake Plate
31	66S18	Stud
32	66S19	Brake Shoe
33	66S20	Brake Wheel, Poly on Steel
34	66S38	Backrest
35	66S36	Bushing
36	66S37	Bolt
37	66S39	Backrest Locking Pin (Includes Spring)
38	66S40	Lifting Link Shaft

Item	Part No.	Description
20	66S24	Bushing
21	66S25	Shaft
22	66S29	Bearing
23	66S30	Snap Ring
24	66S31	Split Ring
25	66S32	Washer
26	66S33	Snap Ring
27	66S34	Dust Cover
28	66S13	Shaft
29	66S15	Set Screw
30	66S17	Brake Plate
31	66S18	Stud
32	66S19	Brake Shoe
33	66S20	Brake Wheel, Poly on Steel
34	66S38	Backrest
35	66S36	Bushing
36	66S37	Bolt
37	66S39	Backrest Locking Pin (Includes Spring)
38	66S40	Lifting Link Shaft