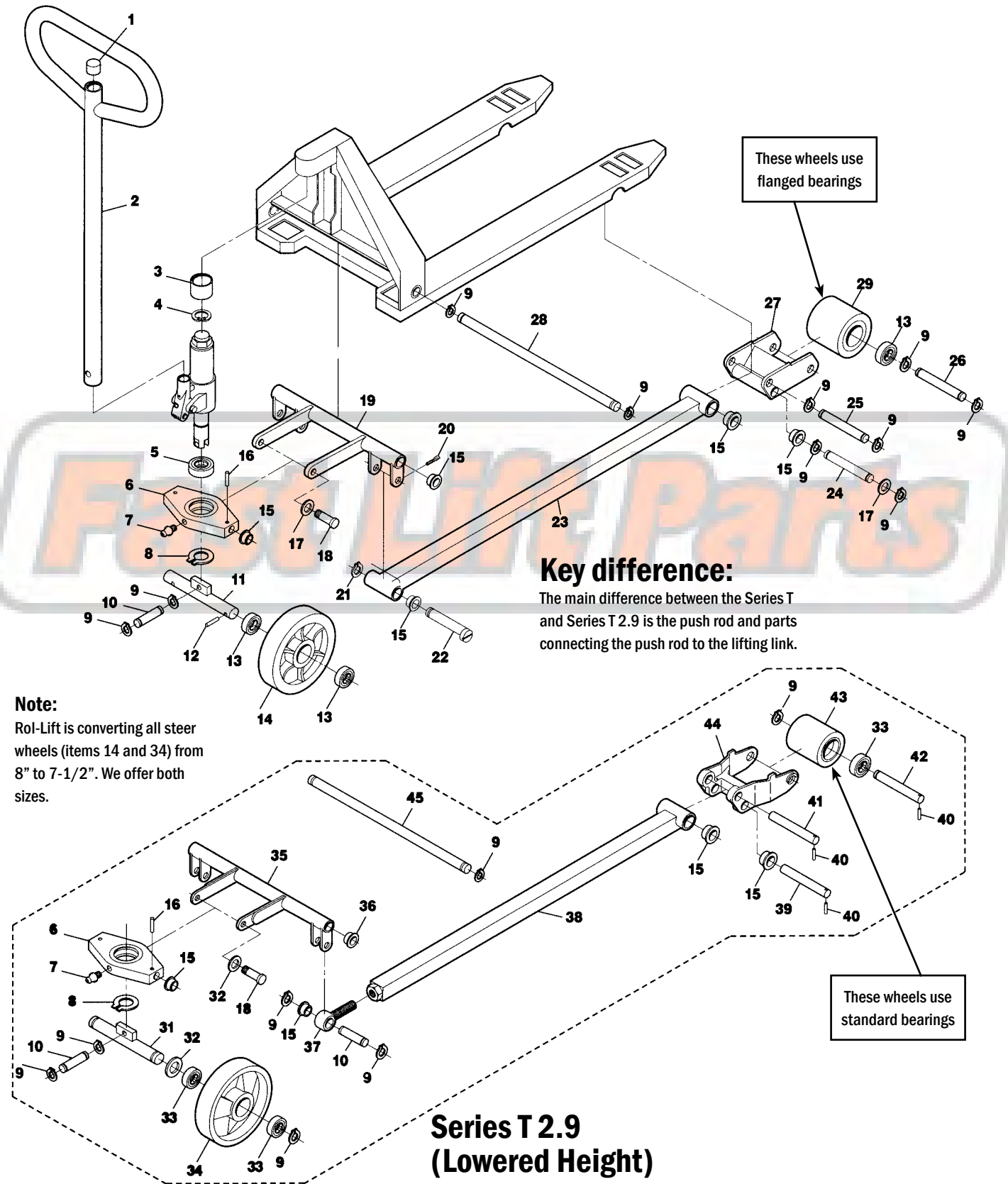


# Rol-Lift Series T Frame

Including Series T 2.9 (Lowered Height) Jacks



**Note:**  
Rol-Lift is converting all steer wheels (items 14 and 34) from 8" to 7-1/2". We offer both sizes.

**Key difference:**  
The main difference between the Series T and Series T 2.9 is the push rod and parts connecting the push rod to the lifting link.

**Series T 2.9 (Lowered Height)**

# Rol-Lift Series T Frame

Including Series T 2.9 (Lowered Height) Jacks

Item	Part No.	Description
1	3-27137	Handle Plug
2	7-60017	Handle Frame (Foot Control Models)
3	4-00103	Bushing Weldment
4	3-11005	Snap Ring
5	3-70001	Traverse Bearing
6	4-00058	Traverse
7	1-20002	Grease Fitting
8	3-11002	Snap Ring
9	3-11003	Snap Ring (1mm Thick)
	3-11036	Snap Ring (2mm Thick)
10	KIT-5144-TPTUM	Pin with Snap Rings
11	7-60021	Steer Wheel Axle
12	3-25801-06	Roll Pin
13	3-70002	Bearing (Flanged)
	T-22-WA	Bearing (Wet Application)
14	RL-32-HD	Steer Wheel Assembly, Red Ultra-Poly On Aluminum Hub W/ Bearings, 8" Diameter, Flanged Bearings
	RL-32-N	Steer Wheel Assembly, Nylon W/ Flanged Bearings, 8" Diameter
	RL-32-S	Steer Wheel Assembly, Steel W/ Flanged Bearings, 8" Diameter
15	3-27020	Bushing, 3/4", Nylon
16	3-25800-07	Roll Pin
17	3-27021	Washer
18	4-00107	Shoulder Pin
19	7-61006-02	Lifting Link, 27" Wide Jack, 7" Wide Forks (Ear Inset 3/4")
	KIT-5037-TPTUM	Lifting Link, 27" Wide Jack, 6" Wide Forks (Ears Are Flush)
20	3-04501-05	Set Screw
21	3-11004	Snap Ring
22	4-00308	Eccentric Pin
23	7-60010-04	Push Rod, 48" Forks
24	4-61036	Pivot Axle, 7" Wide Forks
	4-00102	Pivot Axle, 6" Wide Forks
25	4-61095	Push Rod Axle, 7" Wide Forks
	4-00101	Push Rod Axle, 6" Wide Forks
26	4-00100	Load Roller Axle
27	7-61005	Load Roller Bracket, 7" Wide Forks
	4-00089-HD	Load Roller Bracket, 6" Wide Forks (Heavy Duty)

Item	Part No.	Description
28	4-00117-02	Lifting Link Shaft, 27" Wide Jack
29	3-91003-A-D	Load Roller Assembly, Red Ultra-Poly On Aluminum Hub W/ 4 Flanged Bearings, 6500# Capacity
	RL-31	Load Roller Assembly, Black Ultra-Poly On Steel Hub W/ Bearings, 3-1/4" Diameter, Flanged Bearings
	RL-31-N	Load Roller Assembly, Nylon W/ Flanged Bearings, 3-1/4" Diameter
	RL-31-S	Load Roller Assembly, Steel W/ Flanged Bearings, 3-1/4" Diameter
	RL-31-3	Load Roller Assembly, Red Ultra-Poly On Aluminum Hub W/ Bearings, 3" Diameter, Flanged Bearings
	RL-31-S-3	Load Roller Assembly, Steel W/ Flanged Bearings, 3" Dia.
31	KIT-5090-TPTUM	Steer Wheel Axle Assembly (Includes item 9)
32	3-10203	Washer
33	BRG-5000-TPTUM	Bearing
34	WHL-5012-TPTUM	Steer Wheel Assembly, Poly On Nylon Hub W/ Bearings, 7-1/2" Diameter, Flanged Bearings
35	LVB-5004-TPTUM	Lifting Link, 27" Wide Jack
36	BSH-5001-TPTUM	Bushing
37	PHR-5010-TPTUM	Eye Bolt
38	PHR-5004-TPTUM	Push Rod, 48" Forks
39	PNB-5025-TPTUM	Pivot Axle, 7" Wide Forks
	PNB-5020-TPTUM	Pivot Axle, 6" Wide Forks
40	3-25801-06	Roll Pin
41	PNB-5019-TPTUM	Push Rod Axle
42	KIT-5136-TPTUM	Load Roller Axle
43	WHL-5013-TPTUM-D	Load Roller Assembly, Red Ultra-Poly On Aluminum Hub W/ Bearings, 3" Diameter, Standard Bearings
	WHL-5013-TPTUM	Load Roller Assembly, Black Ultra-Poly On Steel Hub W/ Bearings, 3" Diameter, Standard Bearings
	WHL-5010-EPTUM	Load Roller Assembly, Nylon W/ Bearings, 3" Diameter, Standard Bearings
	WHL-5013-TPTUM-S	Load Roller Assembly, Steel W/ Bearings, 3" Diameter, Standard Bearings
44	BKT-5004-TPTUM	Load Roller Bracket
45	KIT-5115-TPTUM	Lifting Link Shaft, 27" Wide Jack