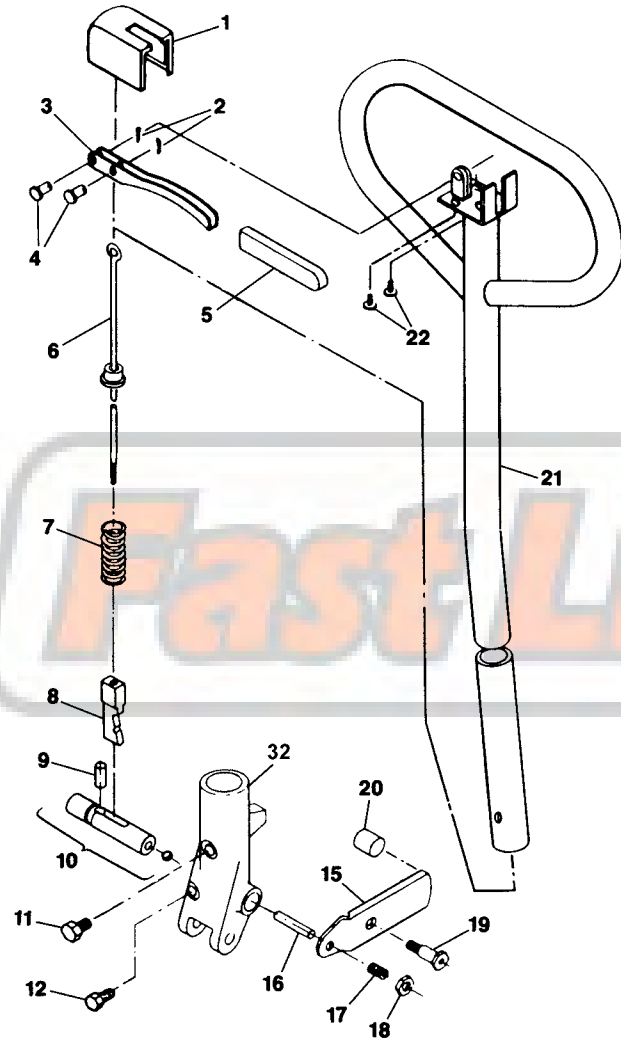
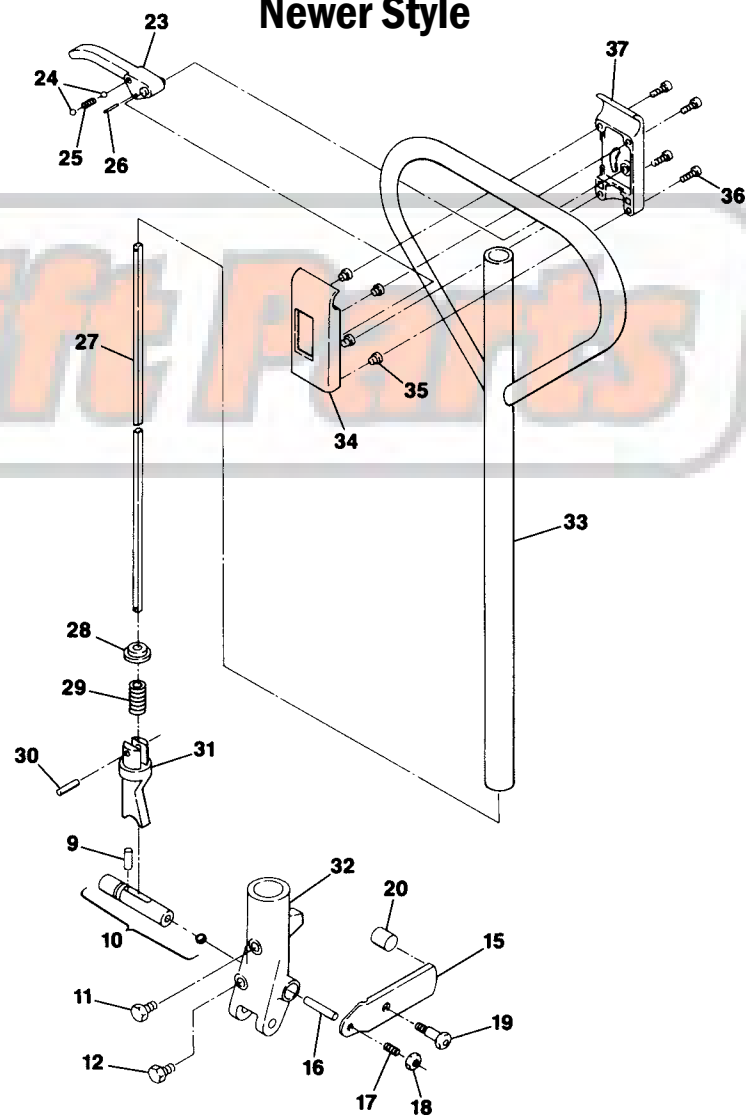


Rol-Lift Series T and E Hand Control Handle

Older Style



Newer Style



Rol-Lift Series T and E Hand Control Handle

Item	Part No.	Description
1	Not Available	Plastic Cover
2	3-25500	Cotter Pin
3	Not Available	Control Lever
4	3-60000	Pin
5	Not Available	Control Lever Grip
6	7-00008	Control Rod
7	3-20001	Spring
8	3-27003	Actuator
9	3-27010	Pivot Shaft
10	3-27163-S	Pivot Shaft Assembly
11	3-02000-03	Handle Bolt
12	3-04501-07	Set Screw
15	7-30048	Fulcrum Bar
16	Not Available	Glide Pin (No Longer Sold Separately, Use Item 10)
17	3-08006-04	Adjusting Screw
18	3-50064	Nut
19	3-00087-04	Bolt
20	4-00078	Pin
21	Not Available	Handle Assembly (See Item 33)

Item	Part No.	Description
22	3-09998	Screw
23	3-27133	Control Lever
24	3-30000	Ball
25	3-20017	Spring
26	3-25750-07	Roll Pin
27	3-27166	Control Rod
28	3-27134	Spring Retainer
29	3-20016	Spring
30	3-25750-05	Roll Pin
31	3-27138	Actuator
32	4-60082	Handle Socket (Hand Control Models)
	4-60072	Handle Socket (Foot Control Models)
33	7-60016	Handle Frame
	8-60017	Handle Assembly
	KIT-5072-TPTUM	Handle Assembly (Includes Items 9-12 & 23-33)
34	3-27132	Front Cover
35	3-51001	Spacer
36	3-00006-04	Screw
37	3-27131	Back Cover