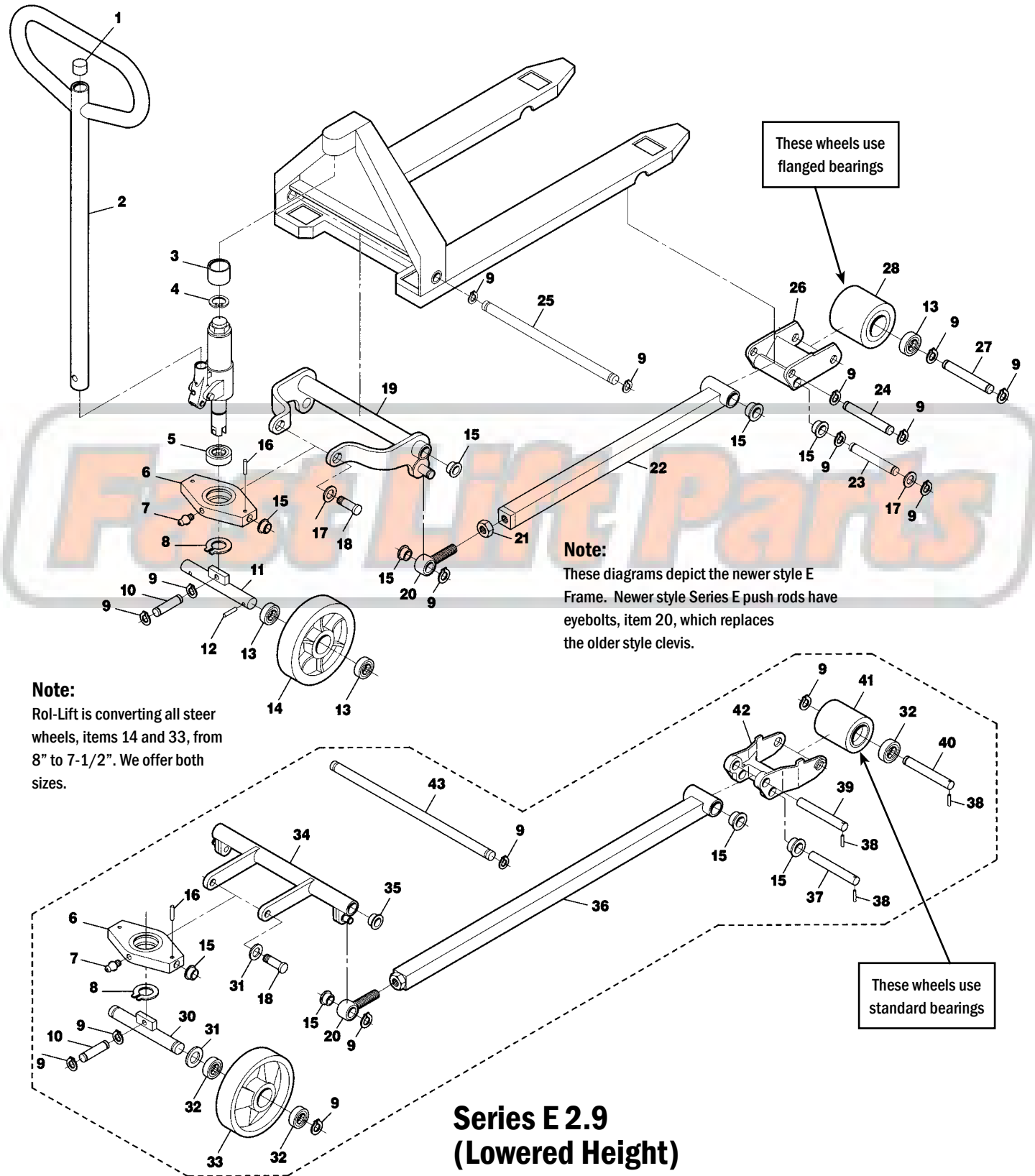


Rol-Lift Series E Frame

Including Series E 2.9 (Lowered Height) Jacks



Note:
Rol-Lift is converting all steer wheels, items 14 and 33, from 8" to 7-1/2". We offer both sizes.

Note:
These diagrams depict the newer style E Frame. Newer style Series E push rods have eyebolts, item 20, which replaces the older style clevis.

Series E 2.9 (Lowered Height)

Rol-Lift Series E Frame

Including Series E 2.9 (Lowered Height) Jacks

| Item | Part No. | Description |
|------|----------------|---|
| 1 | 3-27137 | Handle Plug |
| 2 | 7-60017 | Handle Frame (Foot Control Models) |
| 3 | 4-00103 | Bushing (Welded Into Frame) |
| 4 | 3-11005 | Snap Ring |
| 5 | 3-70001 | Traverse Bearing |
| 6 | 4-00058 | Traverse |
| 7 | 1-20002 | Grease Fitting |
| 8 | 3-11002 | Snap Ring |
| 9 | 3-11003 | Snap Ring |
| 10 | KIT-5144-TPTUM | Pin with Snap Rings |
| 11 | 7-60021 | Steer Wheel Axle |
| 12 | 3-25801-06 | Roll Pin |
| 13 | 3-70002 | Bearing (Flanged) |
| | T-22-WA | Bearing (Wet Application) |
| 14 | RL-32-HD | Steer Wheel Assembly, Red Ultra-Poly On Aluminum Hub W/ Bearings, 8" Diameter, Flanged Bearings |
| | RL-32-N | Steer Wheel Assembly, Nylon W/ Flanged Bearings, 8" Diameter |
| | RL-32-S | Steer Wheel Assembly, Steel W/ Flanged Bearings, 8" Diameter |
| 15 | 3-27020 | Bushing, 3/4", Nylon |
| 16 | 3-25800-07 | Roll Pin |
| 17 | 3-27021 | Washer |
| 18 | 4-00107 | Shoulder Pin |
| 19 | 8-60015-01 | Lifting Link, 21" Wide Jack |
| | KIT-5040-TPTUM | Lifting Link, 27" Wide Jack |
| 20 | PHR-5010-TPTUM | Eye Bolt |
| 21 | 3-50002 | Nut |
| 22 | 7-10041-03 | Push Rod, 48" Forks |
| 23 | 4-61036 | Pivot Axle, 7" Wide Forks |
| | 4-00102 | Pivot Axle, 6" Wide Forks |
| 24 | 4-00100 | Push Rod Axle, 7" Wide Forks |
| | 4-00101 | Push Rod Axle, 6" Wide Forks |
| 25 | 4-00106-01 | Lifting Link Shaft, 27" Wide Jack |
| 26 | 7-61005 | Load Roller Bracket, 7" Wide Forks |
| | 4-00089-HD | Load Roller Bracket, 6" Wide Forks (Heavy Duty) |
| 27 | 4-00100 | Load Roller Axle |

| Item | Part No. | Description |
|------|------------------|--|
| 28 | 3-91003-A-D | Load Roller Assembly, Red Ultra-Poly On Aluminum Hub W/ 4 Flanged Bearings, 6500# Capacity |
| | RL-31 | Load Roller Assembly, Black Ultra-Poly On Steel Hub W/ Bearings, 3-1/4" Diameter, Flanged Bearings |
| | RL-31-N | Load Roller Assembly, Nylon W/ Flanged Bearings, 3-1/4" Diameter |
| | RL-31-S | Load Roller Assembly, Steel W/ Flanged Bearings, 3-1/4" Diameter |
| | RL-31-3 | Load Roller Assembly, Red Ultra-Poly On Aluminum Hub W/ Bearings, 3" Diameter, Flanged Bearings |
| | RL-31-S-3 | Load Roller Assembly, Steel W/ Flanged Bearings, 3" Diameter |
| 30 | KIT-5090-TPTUM | Steer Wheel Axle Assembly |
| 31 | 3-10203 | Washer |
| 32 | BRG-5000-TPTUM | Bearing |
| 33 | WHL-5012-TPTUM | Steer Wheel Assembly, Poly On Nylon Hub W/ Bearings, 7-1/2" Diameter, Flanged Bearings |
| 34 | KIT-5099-EPTFM | Lifting Link, 27" Wide Jack |
| 35 | BSH-5001-TPTUM | Bushing |
| 36 | PHR-5004-TPTUM | Push Rod, 48" Forks |
| 37 | PNB-5025-TPTUM | Pivot Axle, 7" Wide Forks |
| | PNB-5020-TPTUM | Pivot Axle, 6" Wide Forks |
| 38 | 3-25801-06 | Roll Pin |
| 39 | PNB-5019-TPTUM | Push Rod Axle |
| 40 | KIT-5136-TPTUM | Load Roller Axle |
| 41 | WHL-5013-TPTUM-D | Load Roller Assembly, Red Ultra-Poly On Aluminum Hub W/ Bearings, 3" Diameter, Standard Bearings |
| | WHL-5013-TPTUM | Load Roller Assembly, Black Ultra-Poly On Steel Hub W/ Bearings, 3" Diameter, Standard Bearings |
| | WHL-5010-EPTUM | Load Roller Assembly, Nylon W/ Bearings, 3" Diameter, Standard Bearings |
| | WHL-5013-TPTUM-S | Load Roller Assembly, Steel W/ Bearings, 3" Diameter, Standard Bearings |
| 42 | BKT-5004-TPTUM | Load Roller Bracket |
| 43 | KIT-5127-EPTUM | Lifting Link Shaft, 27" Wide Jack |