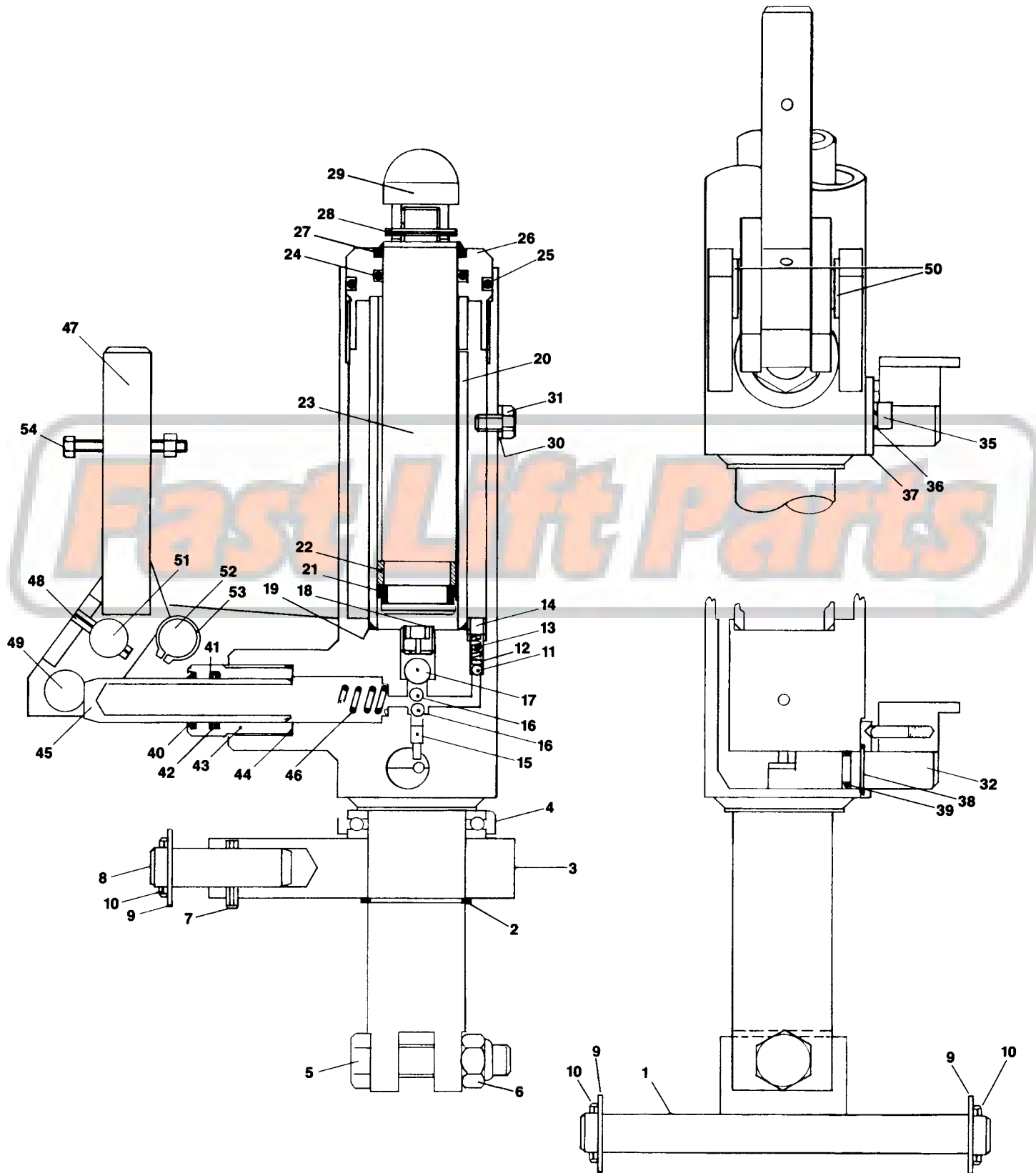


# Palletmaster HSW Hydraulic Unit



# Palletmaster HSW Hydraulic Unit

Item	Part No.	Description
1	A1	Steer Wheel Axle
2	A2	Snap Ring
3	A3	Traverse
4	A4	Traverse Bearing
5	A5	Bolt
6	A6	Nut
7	A7	Roll Pin
8	A8	Pin
9	A9	Washer
10	A11	Roll Pin
11	A	L1 Ball
12	Not Available	Insert (No Longer Needed)
13	A	L2 Spring
14	L3	Relief Valve
15	A	L4 Release Pin
16	A	L5 Ball
17	A	L6 Ball
18	L7	Flow Valve
19	A B	L8 O-Ring
20	L9	Sleeve
21	A B	L10 U-Cup
22	A	L11 Bushing
23	L12	Ram (Older Style, Serial #00043 and Lower)
	L12A	Ram
24	A B	L13 O-Ring
25	A B	L14 O-Ring
26	L15	Top Nut
27	A B	L16 Scraper
28	L17	Roll Pin
29	L18	Top Pivot (Older Style, Serial #00043 and Lower)

Item	Part No.	Description
30	A B	L19 Washer
31	L20	Filler Plug
32	F1	Foot Pedal
35	F4	Bolt, 3/8"
	F4-5	Bolt, 5/16"
36	F5	Lock Washer
	F5-5	Lock Washer
37	F6	Detent Plate, 3/8"
	F6-5	Detent Plate, 5/16"
38	F7	Snap Ring
39	A B	F8 O-Ring
40	A B	P1 Scraper
41	A B	P2 Back-Up Ring
42	A B	P3 O-Ring
43	P4	Sleeve
44	A B	P5 O-Ring
45	A	P6 Piston
46	A B	P7 Spring
47	P8	Handle Bracket
48	P9	Roll Pin
49	P10	Roller
50	A B	P11 Bushing
51	P12	Pin
52	P13	Stop Shaft
53	P14	Snap Ring
54	01.23	Handle Bolt and Nut
KITS A	HSW-SUPER	Super Seal Kit
KITS B	HSW	Seal Kit
	HU PM HSW	Rebuilt Hydraulic Unit - Exchange