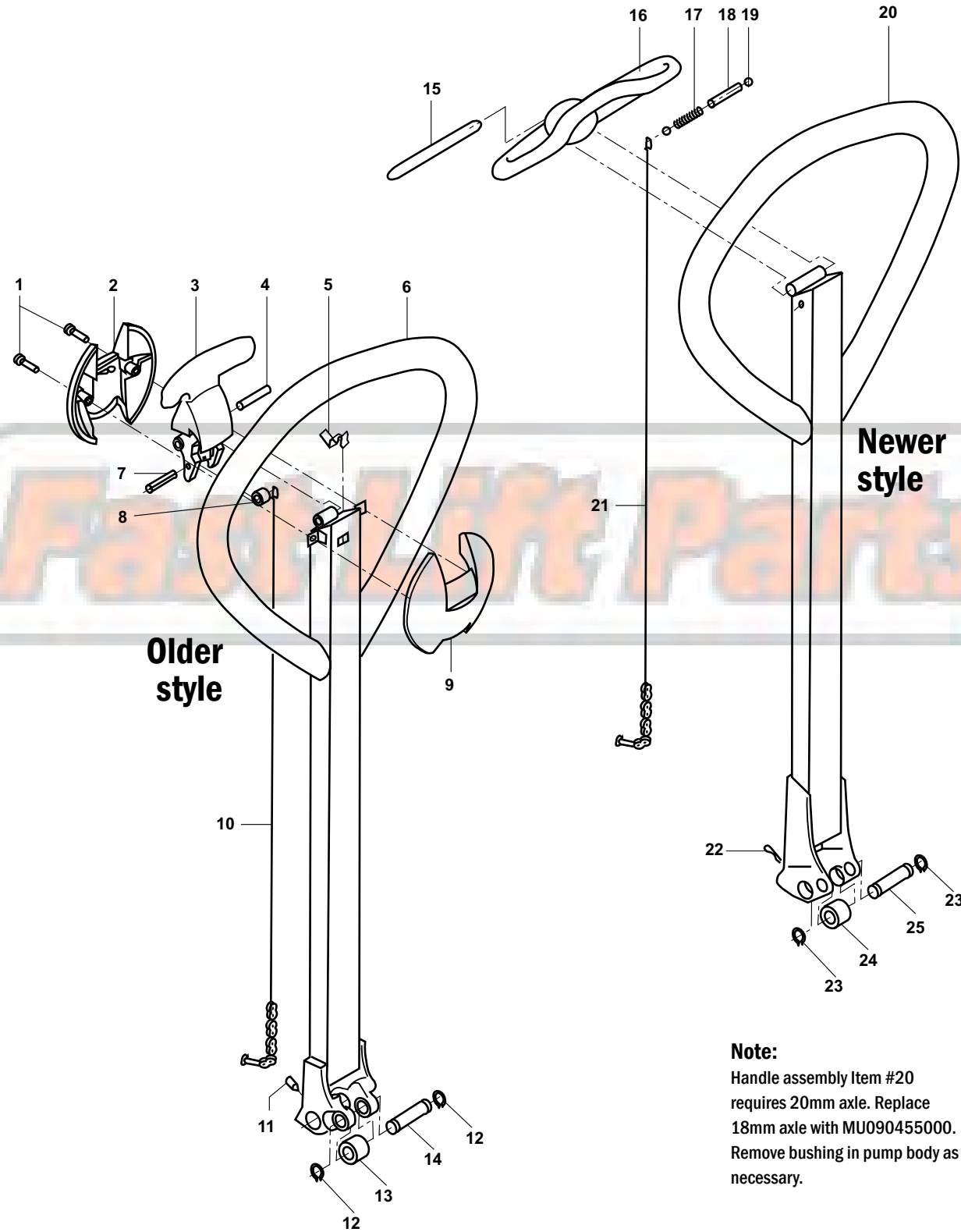


Multiton TM 55 Handle



Note:
 Handle assembly Item #20
 requires 20mm axle. Replace
 18mm axle with MU090455000.
 Remove bushing in pump body as
 necessary.

Multiton TM 55 Handle

Item	Part No.	Description
1	200178410	Screw
2	090131001	Handle Lever Cover, Yellow
	090131002	Handle Lever Cover, Grey
3	090195000	Handle Lever
4	063017008	Shaft
5	090191000	Handle Spring Clip
6	090112000	Handle Frame (Older Style)
	090478001	Handle Assembly (Older Style)
7	200178340	Split Pin
8	090190000	Cam
9	090130002	Handle Lever Cover, Yellow
	090130003	Handle Lever Cover, Grey
10	090110000	Rod and Chain
11	200178390	Set Screw
12	820487000	Snap Ring
13	038614000	Roller Cam (Older Style)
	090457010	Roller Cam (Newer Style)

Item	Part No.	Description
14	052699000	Cam Axle (Older Style)
	090455000	Cam Axle (Newer Style)
15	50424166	Lever Pin
16	50424811	Control Lever, Yellow
	50410252	Control Lever, Grey
17	50410166	Spring
18	50424168	Sleeve
19	50410235	Ball
20	50410142	Handle Assembly
21	50410215	Rod and Chain
22	50137128	Pin Clip
23	26200080	Snap Ring
24	50137111	Cam Roller
25	50137110	Cam Axle

