

Multiton TM, M & J Hand Control Hydraulic Unit

Note:

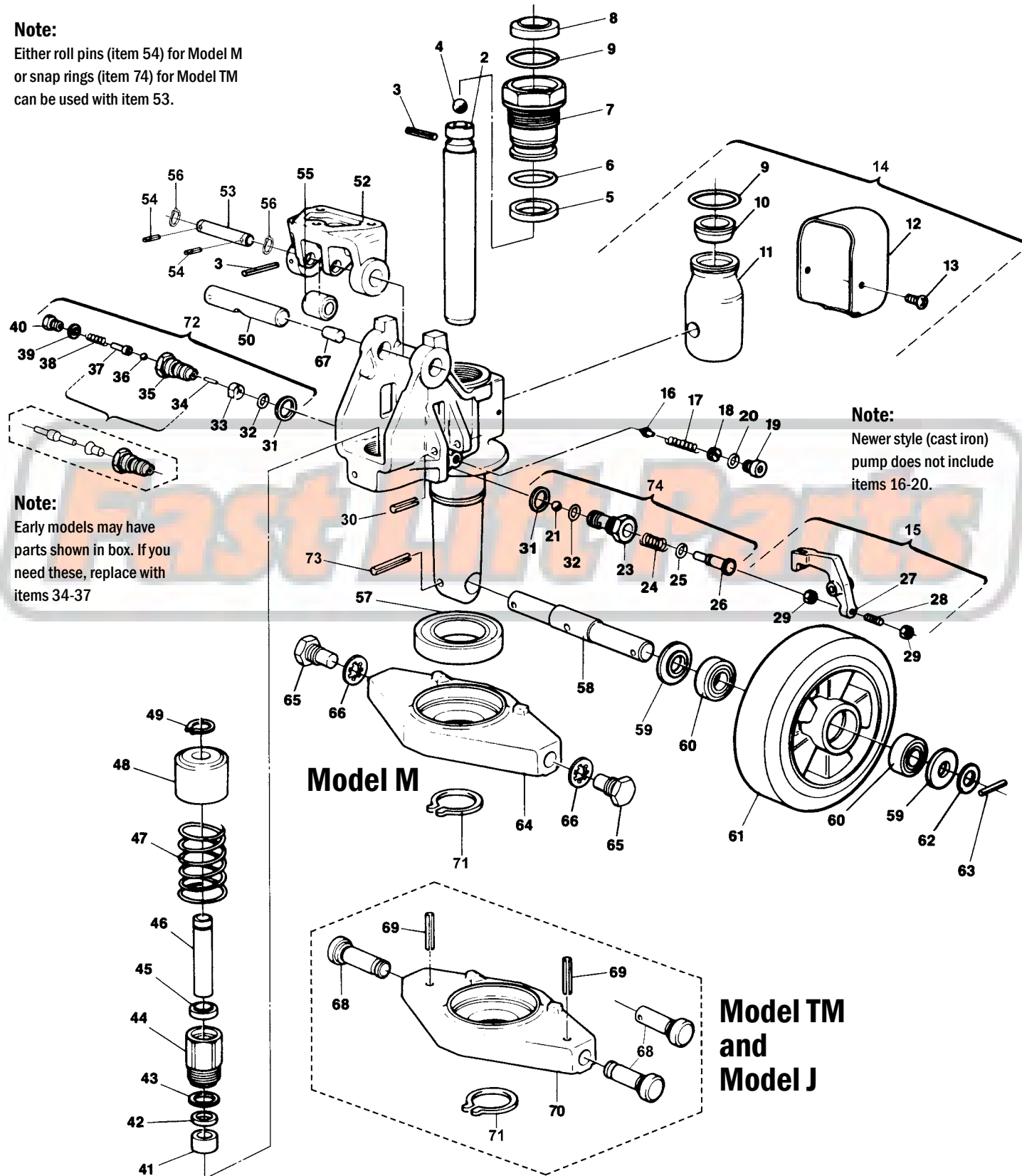
Either roll pins (item 54) for Model M or snap rings (item 74) for Model TM can be used with item 53.

Note:

Early models may have parts shown in box. If you need these, replace with items 34-37

Note:

Newer style (cast iron) pump does not include items 16-20.



Multiton TM, M & J Hand Control Hydraulic Unit

Item	Part No.	Description
2	39879	Ram
3	05750211	Roll Pin
4	06750071	Ball
5 A B C	200059-310	U-Cup
6 A B C	200059-500	O-Ring
7	39775	Top Nut
8 A B C	200059-440	Scraper
9 A B C	101003	O-Ring
10 A B	21675	Filler Plug
11 A B	21660	Reservoir
12 A	38630	Cowling
13 A B	04459023	Screw
14	21660-A	Reservoir Assembly
15	40160	Activator
16 A	39002	Valve
17 A	39005	Spring
18	39004	Adjusting Screw
19	200059-420	Screw Plug
20 A B C	80008	O-Ring
21 A	820209	Ball
23	39928	Release Valve Body
24 A	39940	Spring
25 A B C	200059-550	O-Ring
26	39926	Release Pin
27	52684	Release Lever
28	200061-110	Adjusting Screw
29	80180	Nut
30	200013-760	Roll Pin
31 B C	200023-600	Washer
32 A B C	200059-540	O-Ring
33	40725	Spring
34	200059-400	Valve Pin
35	39929	Valve Body
36 A	820206	Ball
37	39927	Spring Guide
38 A	39939	Spring
39 A B C	100919	Washer
40	39153	Screw Plug
41	39778	Bushing
42 A B C	200059-460	U-Cup
43 A B C	39777	Washer
44	39773	Pump Cylinder
45 A B C	200059-450	Scraper
46	39806	Piston

Item	Part No.	Description
47	38972	Spring
48	38977	Spring Cap
49 A B C	820493	Snap Ring
50	40057	Handle Pin
52	91206	Bracket Assembly
53	38613	Shaft
54	05759015	Roll Pin
55	38614	Roller
56 A B	06259051	Snap Ring
57	06450077	Traverse Bearing
58	90109	Steer Wheel Axle
59	18968	Washer
60	06450071	Bearing
61	90100-01-P-HD	Steer Wheel Assembly, Red Ultra-Poly On Aluminum Hub W/ Bearings
	90164-ST	Steer Wheel Assembly, Poly On Nylon Hub W/ Bearings
	90163	Steer Wheel Assembly, Nylon W/ Bearings
	90100-01-S	Steer Wheel Assembly, Steel W/ Bearings
	GWK-TM-CK	Complete Wheel Kit, (2) Ultra-Poly Load Roller Assemblies (70D), (2) Poly Steer Wheel Assemblies, W/ Bearings, Axles & Fasteners
62	21353	Washer
63	0575001	Roll Pin
64	40948	Traverse (M Model)
65	20218	Shoulder Bolt
66	05659038	Lock Washer
67	200059-150	Bushing
68	05250181	Shoulder Pin Set
69	05750213	Roll Pin Set
70	90032-11	Traverse
	40089	Traverse
71	06259058	Snap Ring
72	43026	Valve Assembly
73	05759018	Roll Pin
74	43027	Plunger Assembly
KITS A	200064-901-SUPER	Super Seal Kit
KITS B	200064-901	Seal Kit
KITS C	74701-SLIM	Slim Seal Kit
	HU MU 40146X	Rebuilt Hydraulic Unit - Exchange
	40146X-AM	New After-Market Replacement Pump