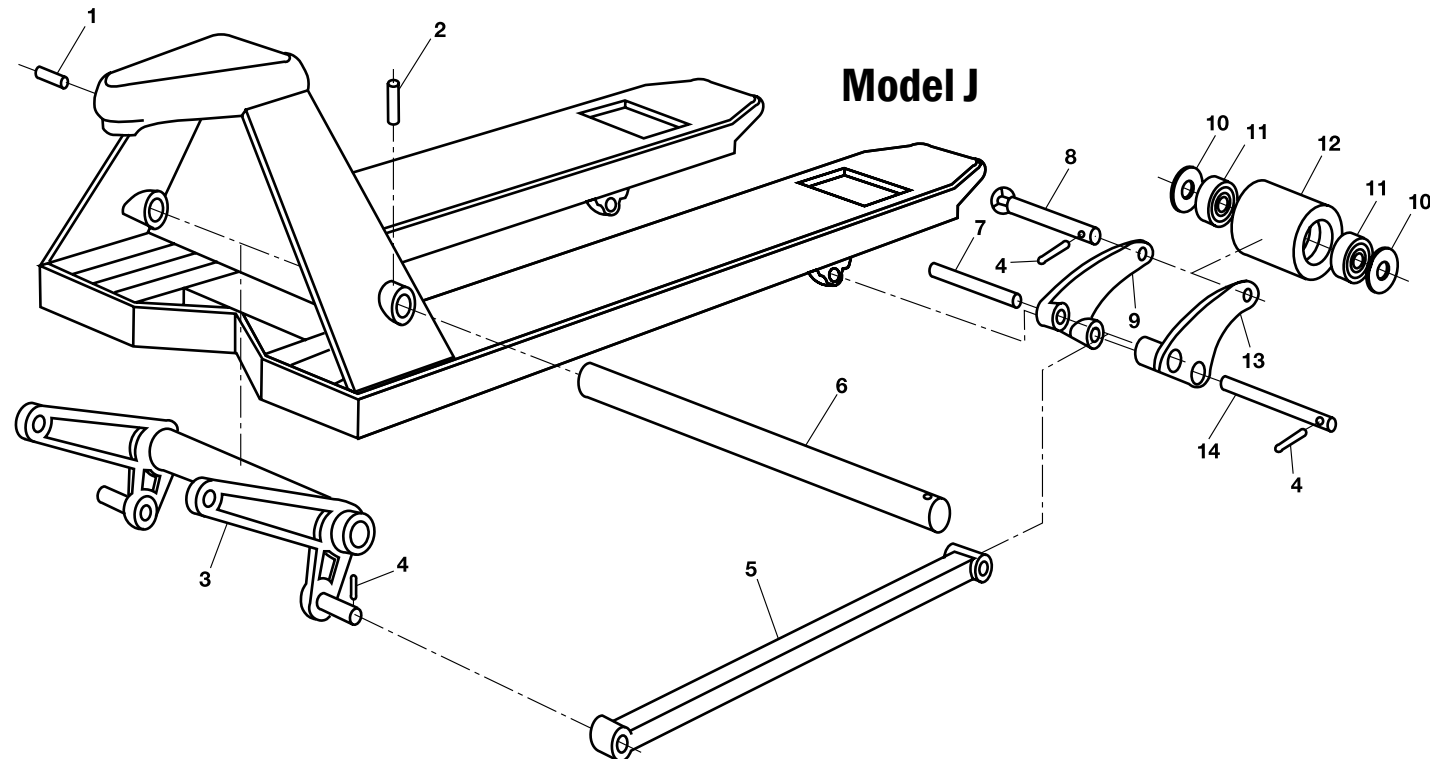
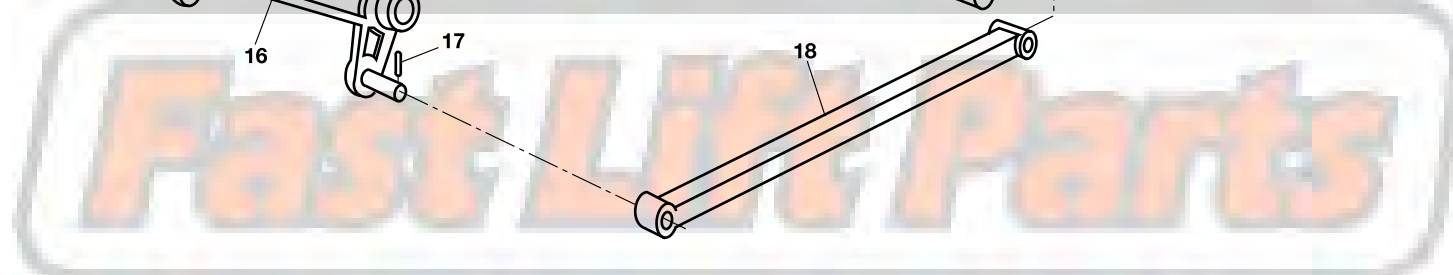
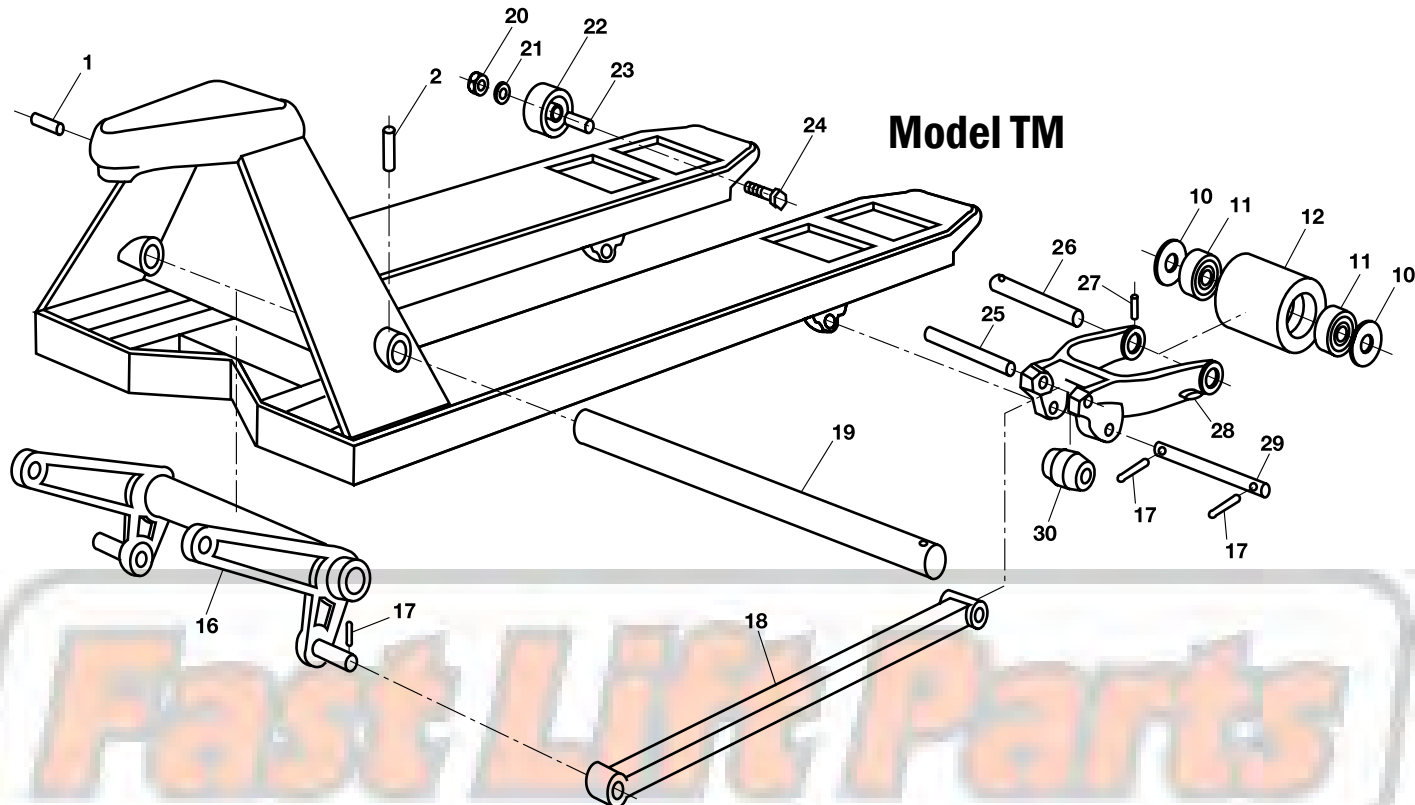


Multiton TM and J Frame



Multiton TM and J Frame

Item	Part No.	Description
1	05750211	Roll Pin
2	05759016	Roll Pin
3	91607-9	Lifting Link, 27" Wide Jack
4	05750220	Roll Pin
5	91610-9	Push Rod, 48" Forks
6	90150	Lifting Link Shaft, 27" Wide Jack
7	91605	Push Rod Axle
8	91644	Load Roller Axle
9	91626-1	Load Roller Bracket (Left)
10	18968	Washer
11	06450071	Bearing
12	91619-A-D	Load Roller Assembly, Red Ultra-Poly On Aluminum Hub W/ Bearings
	91619-A	Load Roller Assembly, Black Ultra-Poly On Steel Hub W/ Bearings
	91619-S	Load Roller Assembly, Steel W/ Bearings
	90317-A	Load Roller Assembly, Nylon W/ Bearings
	90332-A	Tandem Load Roller Assembly, Poly On Steel W/ Bearings
	GWK-TM-LW	Load Wheel Kit, (2) Black Ultra-Poly (70D), Load Roller Assemblies, W/ Bearings, Axles & Fasteners

Item	Part No.	Description
13	91626-2	Load Roller Bracket (Right)
14	91604	Pivot Axle
16	95212-9	Lifting Link, 27" Wide Jack
17	200013-510	Roll Pin
18	95213	Push Rod, 48" Forks
19	95250-15	Lifting Link Shaft, 27" Wide Jack
20	0535001	Nut
21	0565005	Lock Washer
22	40197	Entry Roller
23	40196	Sleeve
24	0405012	Bolt
25	38688	Push Rod Axle
26	38686	Load Roller Axle
27	05759011	Roll Pin
28	95289	Load Roller Bracket
29	38582	Pivot Axle
30	90350	Exit Roller
	90113-A	Brake Cable Assembly (Not Shown)

Load Wheel Kit

Note:
Wheel Kit for use with Model TM only

