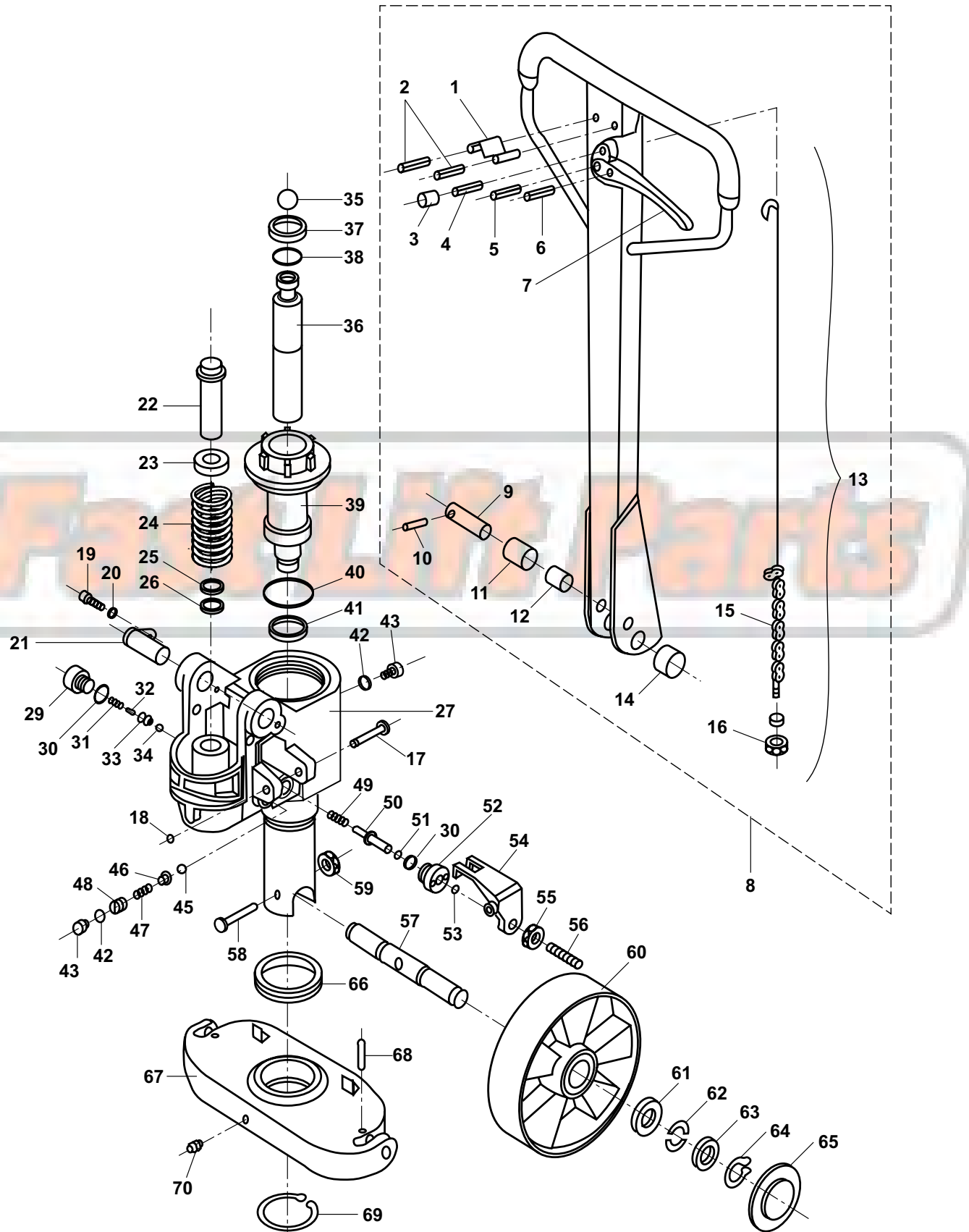


# Mobile ECO I-55 Hydraulic Unit



# Mobile ECO I-55 Hydraulic Unit

| Item | Part No. | Description   |
|------|----------|---|
| 1    | 12E101   | Control Handle Spring   |
| 2    | 12E102   | Roll Pin  |
| 3    | 12E103   | Control Handle Roller   |
| 4    | 12E104   | Roll Pin  |
| 5    | 12E105   | Roll Pin  |
| 6    | 12E106   | Roll Pin  |
| 7    | 12E107   | Control Lever   |
| 8    | 120E1    | Handle Assembly   |
| 9    | 12E109   | Handle Pin  |
| 10   | 12E110   | Roll Pin  |
| 11   | 12E111   | Handle Pressure Roller  |
| 12   | 12E112   | Handle Pin Bushing  |
| 13   | 12E113-A | Control Handle Rod Assembly   |
| 14   | 12E114   | Handle Bushing  |
| 15   | 12E115   | Chain   |
| 16   | 12E116   | Adjustment Nut  |
| 17   | 12E140   | Lever Plate Bolt  |
| 18   | 12E154   | Retaining Ring  |
| 19   | 12E117   | Screw   |
| 20   | 12E153   | Lock Washer   |
| 21   | 12E118   | Handle Pivot Pin  |
| 22   | 12E147   | Pump Piston   |
| 23   | 12E148   | Washer  |
| 24   | 12E149   | Handle Return Spring  |
| 25   | A 12E150 | Wiper   |
| 26   | A 12E151 | U-Cup   |
| 27   | 120E0    | New Replacement Pump<br>HU MO ECO I-55 Rebuilt Pump Assembly-Exchange |
| 29   | 12E119   | Screw Plug  |
| 30   | A 12E120 | Seal Washer   |
| 31   | 12E121   | Spring  |
| 32   | 12E122   | Damping Valve Spindle   |
| 33   | 12E123   | Damping Valve Seat  |
| 34   | 12E124   | Ball  |
| 35   | 12E146   | Ball  |
| 36   | 12E152   | Lift Piston   |
| 37   | A 12E145 | Wiper   |
| 38   | A 12E144 | O-Ring  |
| 39   | 12E143   | Cylinder Cap  |
| 40   | A 12E142 | O-Ring  |
| 41   | A 12E141 | U-Cup   |
| 42   | A 12E126 | Seal Washer   |
| 43   | 12E127   | Bolt  |
| 45   | 12E139   | Ball, Valve   |
| 46   | 12E138   | Ball Valve Seat   |

| Item | Part No.      | Description  |
|------|---------------|--|
| 47   | 12E137        | Spring   |
| 48   | 12E136        | Bolt   |
| 49   | 12E128        | Spring   |
| 50   | 12E129        | Strike Pin   |
| 51   | A 12E130      | O-Ring   |
| 52   | 12E131        | Sleeve   |
| 53   | A 12E132      | O-Ring   |
| 54   | 12E135        | Lever Plate  |
| 55   | 12E134        | Nut  |
| 56   | 12E133        | Adjusting Screw  |
| 57   | 120E2         | Steer Wheel Axle   |
| 58   | 120E3         | Steer Axle Bolt  |
| 59   | 120E44        | Steer Axle Nut   |
| 60   | 120E8-A-HD    | Steer Wheel Assembly, Red Ultra-Poly On Aluminum Hub W/ Bearings   |
|      | MO 120E8-A-ST | Steer Wheel Assembly, Black Ultra-Poly On Nylon Hub W/ Bearings  |
|      | 120E8N-A      | Steer Wheel Assembly, Nylon W/ Bearings  |
|      | 120E8S-A      | Steer Wheel Assembly, Steel W/ Bearings  |
|      | GWK-ECO-CK    | Complete Wheel Kit, (2) Ultra-Poly Load Roller Assemblies (70D), (2) Poly Steer Wheel Assemblies, W/ Bearings, Axles & Fasteners |
| 61   | 120E9         | Bearing  |
| 62   | 120E10        | Half Cirque  |
| 63   | 120E11        | Washer   |
| 64   | 120E12        | Retaining Ring   |
| 65   | 120E13        | Hub Cap  |
| 66   | 120E4         | Thrust Bearing   |
| 67   | 120E5         | Traverse Plate   |
| 68   | 120E6         | Roll Pin   |
| 69   | 120E7         | Retaining Ring   |
| 70   | 120E41        | Lube Fitting   |
| KITS | A 12E155      | Seal Kit   |

