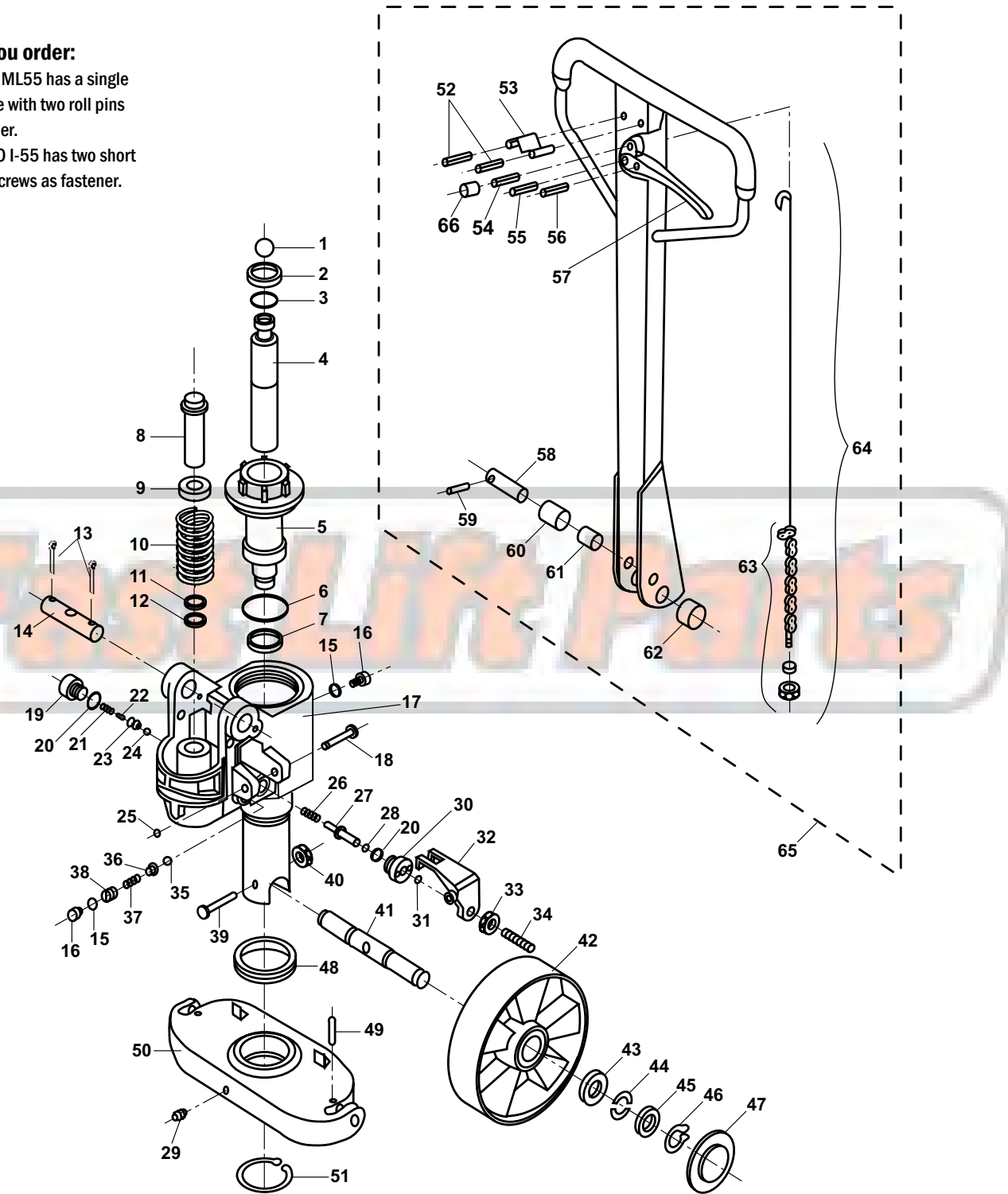


Mighty Lift ML55 Hydraulic Unit

Before you order:

Mighty Lift ML55 has a single handle axle with two roll pins as a fastener.

Mobile ECO I-55 has two short pins with screws as fastener.



Mighty Lift ML55 Hydraulic Unit

Item	Part No.	Description
1	B146	Ball
2	A B145	Wiper
3	A B144	O-Ring
4	B152	Piston Rod
5	B143	Cylinder Cap
6	A B142	O-Ring
7	A B141	U-Cup
8	B147	Pump Piston
9	B148	Washer
10	B149	Spring
11	A B150	Wiper
12	A B151	U-Cup
13	B117	Cotter Pin
14	B118	Handle Pivot Pin
15	A B126	Copper Washer
16	B127	Screw Plug
17	BP 100	Hydraulic Pump
18	B140	Lever Plate Bolt
19	B119	Screw Plug
20	A B120	Copper Washer
21	B121	Spring
22	B122	Spindle of Damping Valve
23	B123	Seat of Damping Valve
24	B124	Steel Ball
25	B153	Retaining Ring
26	B128	Spring
27	B129	Release Pin
28	A B130	O-Ring
29	B15	Lube Fitting
30	B131	Sleeve
31	A B132	O-Ring
32	B135	Lever Plate

Item	Part No.	Description
33	B134	Nut
34	B133	Set Screw
35	B139	Steel Ball
36	B138	Ball Valve Seat
37	B137	Spring
38	B136	Adjustment Screw
39	B3	Bolt
40	B44	Nut
41	B2	Steer Wheel Axle
42	B8	Steer Wheel Assembly, Poly On Nylon Hub W/ Bearings
	B8-HD	Steer Wheel Assembly, Red Ultra-Poly on Aluminum Hub, W/ Bearings
	GWK-BF-CK	Complete Wheel Kit, (2) Ultra-Poly Load Roller Assemblies (70D), (2) Poly Steer Wheel Assemblies, W/ Bearings, Axles & Fasteners
	GWK-BFN-CK	Complete Wheel Kit, (2) Nylon Load Roller Assemblies, (2) Nylon Steer Wheel Assemblies, W/ Bearings, Axles & Fasteners
43	B9	Bearing
44	B10	Half Cirque
45	B11	Washer
46	B12	Retaining Ring
47	B13	Dust Cover
48	B4	Thrust Bearing
49	B6	Spring Pin
50	B5	Traverse
51	B7	Retaining Ring
52	B102	Roll Pin
53	B101	Blade Spring
54	B104	Roll Pin
55	B105	Roll Pin
56	B106	Roll Pin
57	B107	Control Lever
58	B109	Handle Pin
59	B110	Roll Pin
60	B111	Roller
61	B112	Bushing
62	B114	Handle Bushing
63	B115	Chain, Adjustment Pin and Nut
64	B113A	Control Rod Assembly (includes item 57)
65	B1A	Handle Assembly
66	B103	Control Handle Roller
KITS A	BK100	Seal Kit

Complete Wheel Kit

