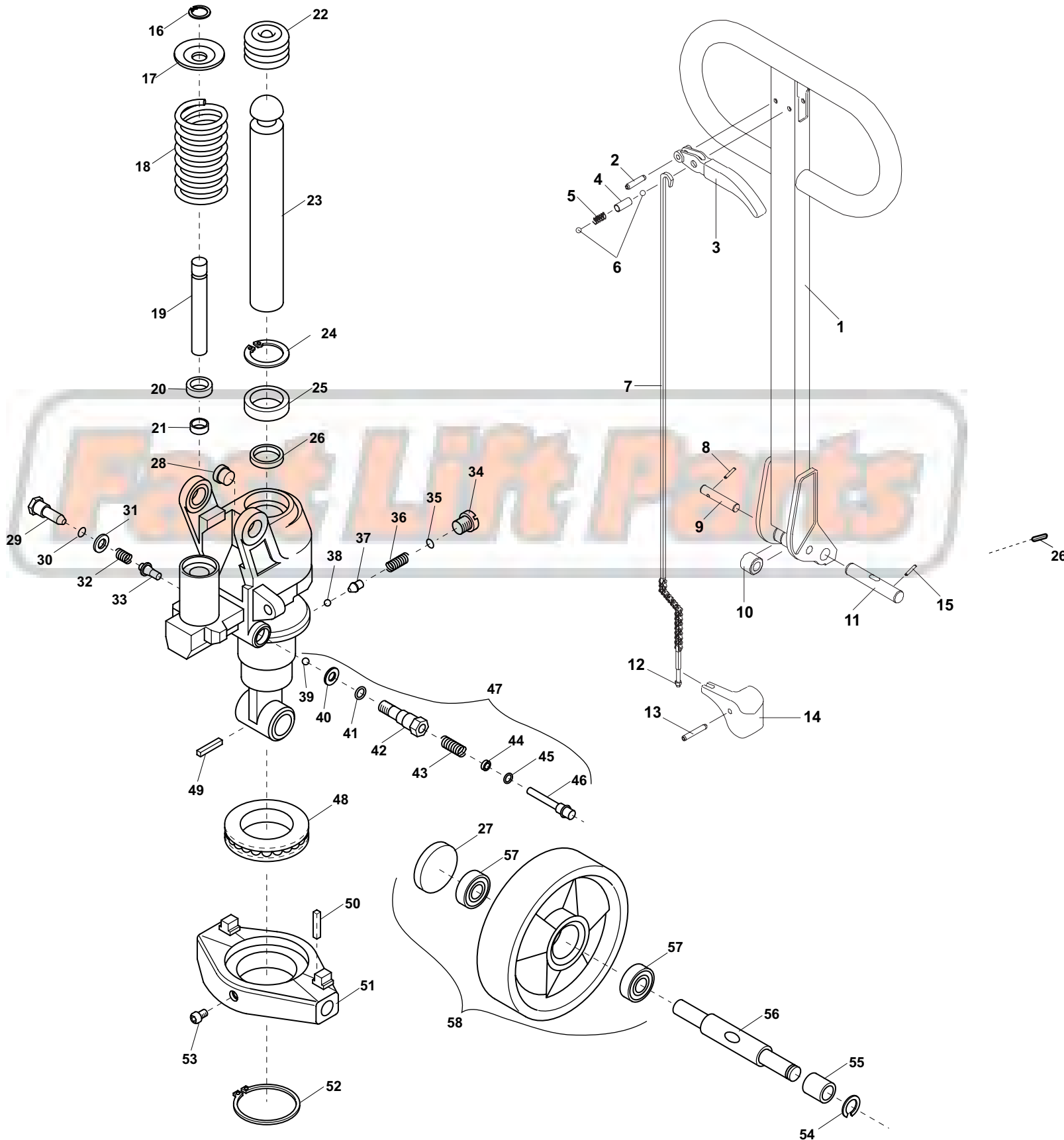


Lift-Rite Titan Series Hydraulic Unit

(PL-30277)



Lift-Rite Titan Series Hydraulic Unit

(PL-30277)

Item	Part No.	Description
1	PL30276M	Handle Assembly
2	20105	Split Pin
3	PL40274BDM	Control Lever
4	54140	Sleeve
5	218182	Spring
6	20065	Chrome Ball
7	215775	Control Rod Assembly
8	20461	Split Pin
9	47930	Axle
10	202755	Roller W/ Bushing
11	222750	Axle
12	21094	Adjusting Nut
13	A 220312	Locking Pin
14	215128	Lowering Arm
15	20014	Locking Pin
16	20043	Locking Ring
17	215282	Washer
18	215156	Spring
19	215286	Pump Piston
20	A 21060	Wiper Seal
21	A 215866	U-Cup
22	215803	Sleeve
23	215030	Lift Piston
24	A 20642	Locking Ring
25	A 20066	Wiper Seal
26	A 215867	U-Cup
27	156623	Hub Cap
28	215913	Bushing
29	221586	Screw Plug
30	A 24213	O-Ring
31	A 219201	Washer
32	A 39106	Spring
33	A 223935	Valve Cone
34	221232	Overload Valve Screw
35	A 22032	O-Ring
36	221227	Overload Spring
37	221231	Guide Pin
38	22055	Overload Ball
39	A 20065	Valve Ball
40	A 215288	Washer
41	A 22032	O-Ring

Item	Part No.	Description
42	223977	Valve Body
43	A 47071	Spring
44	A 49513	Spring Guide
45	A 22318	U-Cup
46	A 47051	Piston
47	215776	Lowering Valve Kit (Includes Items 39 - 46)
48	213056	Thrust Bearing
49	220312	Roll Pin
50	PL20269	Roll Pin
51	245552	Traverse Plate
52	21737	Locking Ring
53	27662	Grease Fitting
54	20019	Locking Ring
55	161637	Spacer (Use with OEM 200965 only)
56	220310	Axle
57	22226	Bearing
58	251189	Steer Wheel Assembly, Nylon W/ Bearings
	160422	Steer Wheel Assembly, Poly on Nylon Hub W/ Bearings
	200965	Steer Wheel Assembly, Ultra-Poly on Aluminum Hub W/ Bearings
	160433	Steer Wheel Assembly, Steel W/ Bearings
	GWK-LCR-CK	Complete Wheel Kit, (2) Ultra-Poly Load Roller Assemblies (70D), (2) Poly Steer Wheel Assemblies, W/ Bearings, Axles & Fasteners
KIT A	243772	Seal Kit
	HU LF LCR55	Rebuilt Hydraulic Unit

Complete Wheel Kit

