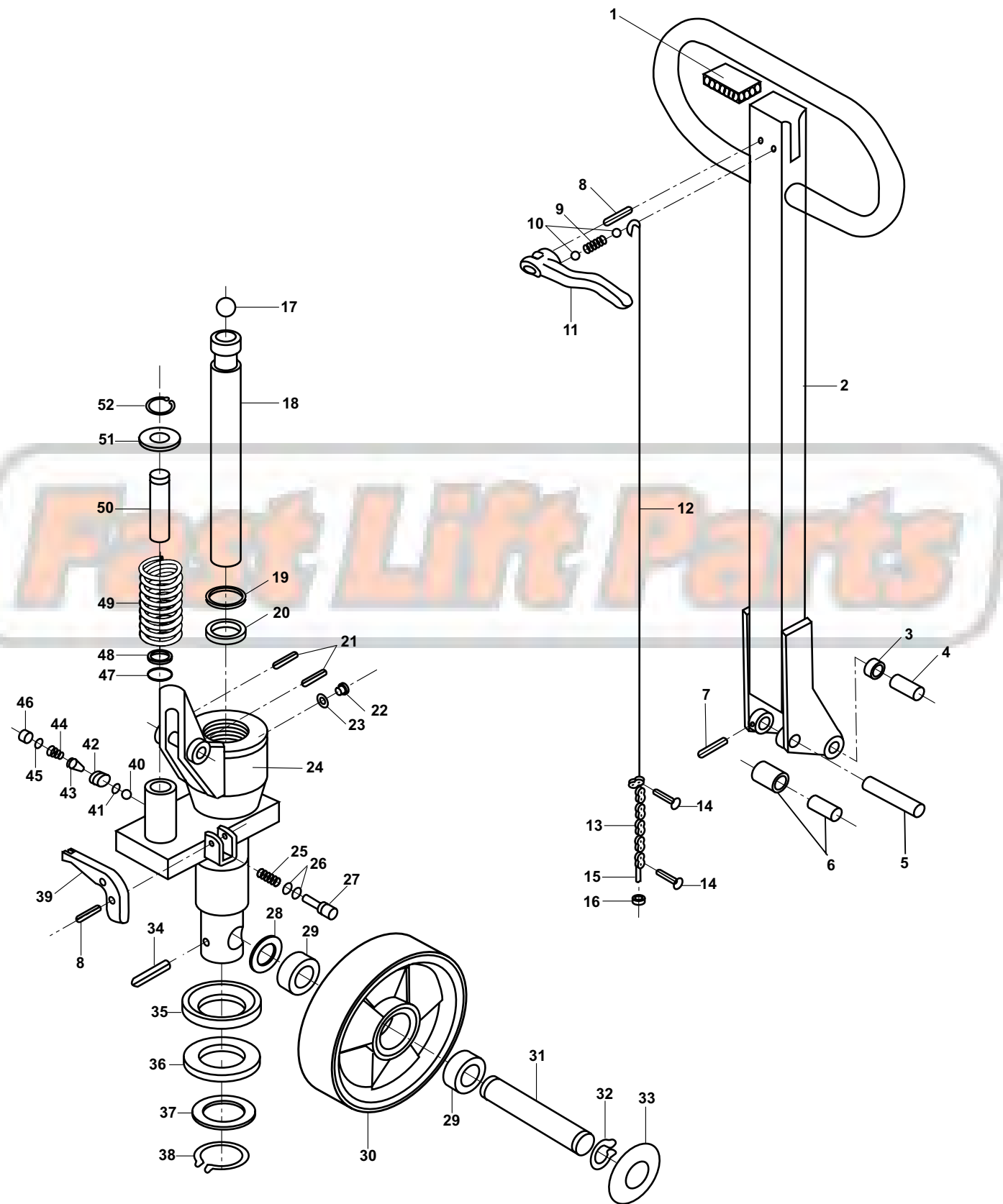


Lift-Rite (Big Joe) LRP 5000 Hydraulic Unit



Lift-Rite (Big Joe) LRP 5000 Hydraulic Unit

Item	Part No.	Description
1	PL20274E	Handle Cap
2	PL20276	Handle Assembly (Includes Items 1-3, 5-16)
3	PL20306	Bushing
4	PL20275	Handle Pin
5	PL20274P	Pin
6	PL20274RA	Roller Complete with Bushing
7	PL20274RB	Split Pin
8	PL10269	Split Pin
9	PL20274C	Spring
10	PL10254	Ball
11	PL20274BD	Control Lever
12	PL20274A	Control Rod
13	PL20272	Chain
14	PL10273	Pin
15	PL10270	Lower Control Rod
16	PL10271	Adjusting Nut
17	10254	Ball
18	20243	Ram Piston
19	A C 20249	Top Seal
20	A C 10246	U-Cup
21	20274S	Split Pin
22	10267	Filler Plug
23	A C 10259	O-Ring
24	20277	Hydraulic Unit, New
25	B C 10258	Spring
26	A C 10259	O-Ring
27	B C 10260	Release Pin
28	10239	Washer
29	10238-D	Ball Bearing
30	20236-B-A-HD	Steer Wheel Assembly, Red Ultra-Poly On Aluminum Hub W/ Bearings
	20236-B-A-ST	Steer Wheel Assembly, Black Poly On Nylon Hub W/ Bearings
	20236N	Steer Wheel Assembly, Nylon W/ Bearings
	20236S	Steer Wheel Assembly, Steel W/ Bearings
	GWK-LRP-CK	Complete Wheel Kit, (2) Ultra-Poly Load Roller Assemblies (70D), (2) Poly Steer Wheel Assemblies, W/ Bearings, Axles & Fasteners
31	10240-E	Steer Wheel Axle

Item	Part No.	Description
32	10237	Snap Ring
33	10236-C	Hub Cap
34	10242	Roll Pin
35	10233	Spacer
36	10234	Thrust Bearing
37	10234-A	Washer
38	10235	Snap Ring
39	10268	Release Lever
40	A B C 10261-A	Ball
41	A B C 10256	O-Ring
42	B C 20262	Valve
43	A B C 20261	Cone
44	B C 10264	Spring
45	A C 10265	O-Ring
46	B C 10266	Screw Plug
47	A C 10252	U-Cup
48	A C 10251	Scraper
49	20253	Handle Return Spring
50	10250	Pump Piston Assembly
51	10250B	Spring Cap
52	10250C	Snap Ring
KITS A	20278	Seal Kit
KITS B	20279	Seal Kit (Ball and Valve Kit)
KITS C	20280	Seal Kit
	HU LF L55	Rebuilt Hydraulic Unit - Exchange

Complete Wheel Kit

