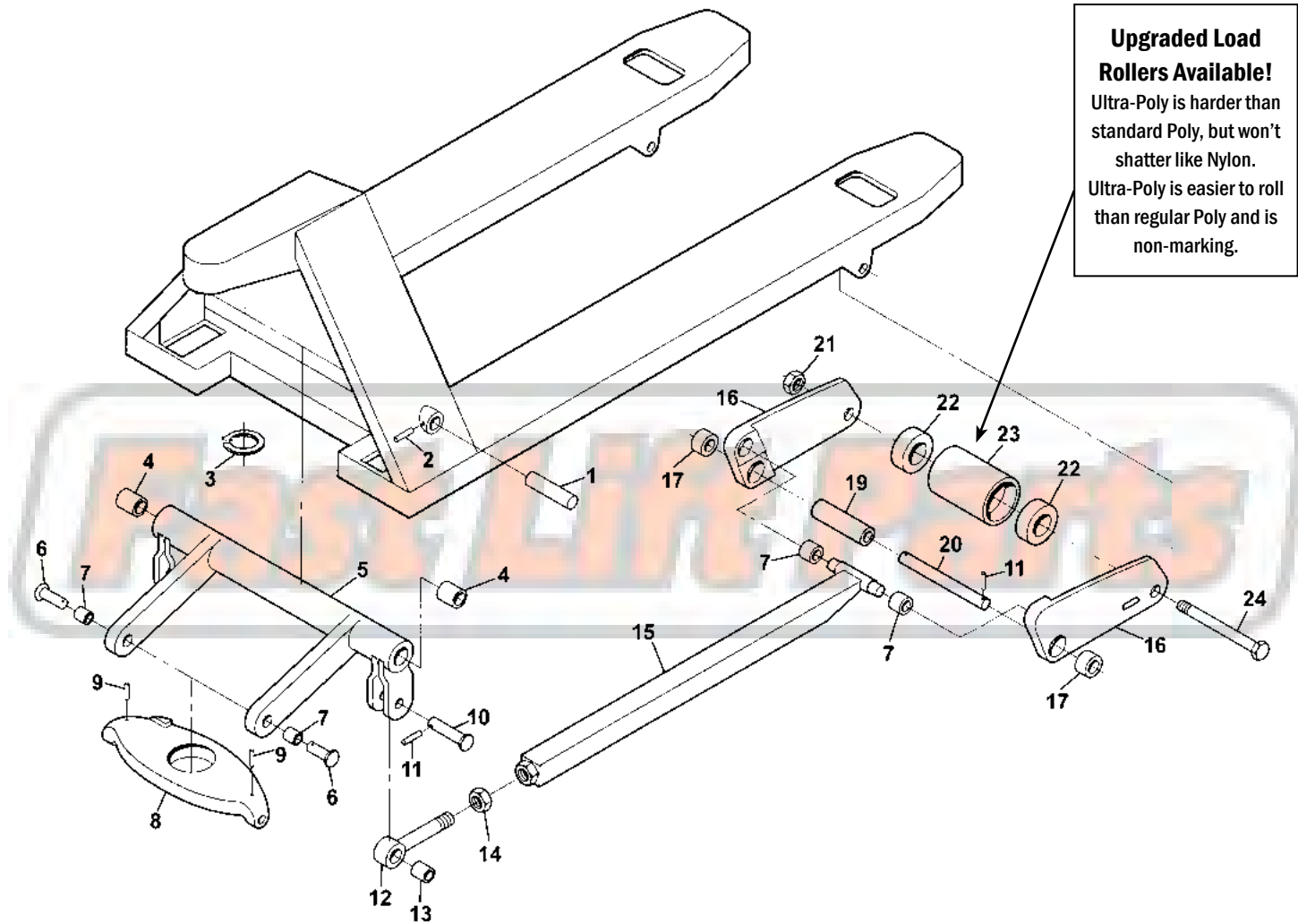


Lift-Rite (Big Joe) L-55 Frame



Upgraded Load Rollers Available!
 Ultra-Poly is harder than standard Poly, but won't shatter like Nylon.
 Ultra-Poly is easier to roll than regular Poly and is non-marking.

Lift-Rite (Big Joe) L-55 Frame

Item	Part No.	Description
1	20204	Pin
2	20269	Split Pin
3	20232	Snap Ring
4	20203A	Lifting Link Bushing
5	20201	Lifting Link, 20.5" Wide Jack
	20202	Lifting Link, 27" Wide Jack
6	20207	Shoulder Pin
7	20206	Bushing
8	20231	Traverse
9	10205	Roll Pin
10	20227	Eye Bolt Pin
11	10269	Roll Pin
12	20226	Eye Bolt (Includes Bushing)
13	20226A	Bushing
14	10224AF	Jam Nut
15	20224x36	Push Rod, 36" Forks
	20224x42	Push Rod, 42" Forks
	20224x48	Push Rod, 48" Forks

Item	Part No.	Description
16	20212	Load Roller Brackets (Pair; with Bushings)
17	20203	Bushing
19	20220	Exit Roller
20	20219	Pivot Axle
21	20218	Lock Nut
22	20214	Load Roller Bearing
23	20210D-A	Load Roller Assembly, Red Ultra-Poly On Aluminum Hub W/ Bearings
	20210P-A	Load Roller Assembly, Black Ultra-Poly On Steel Hub W/ Bearings
	20210N-A	Load Roller Assembly, Nylon W/ Bearings
	20210S-A	Load Roller Assembly, Steel W/ Bearings
	GWK-L55-LW	Load Wheel Kit, (2) Black Ultra-Poly Load Roller Assemblies (70D), W/Bearings, Axles & Fasteners
24	20215	Axle Assembly

Load Wheel Kit

