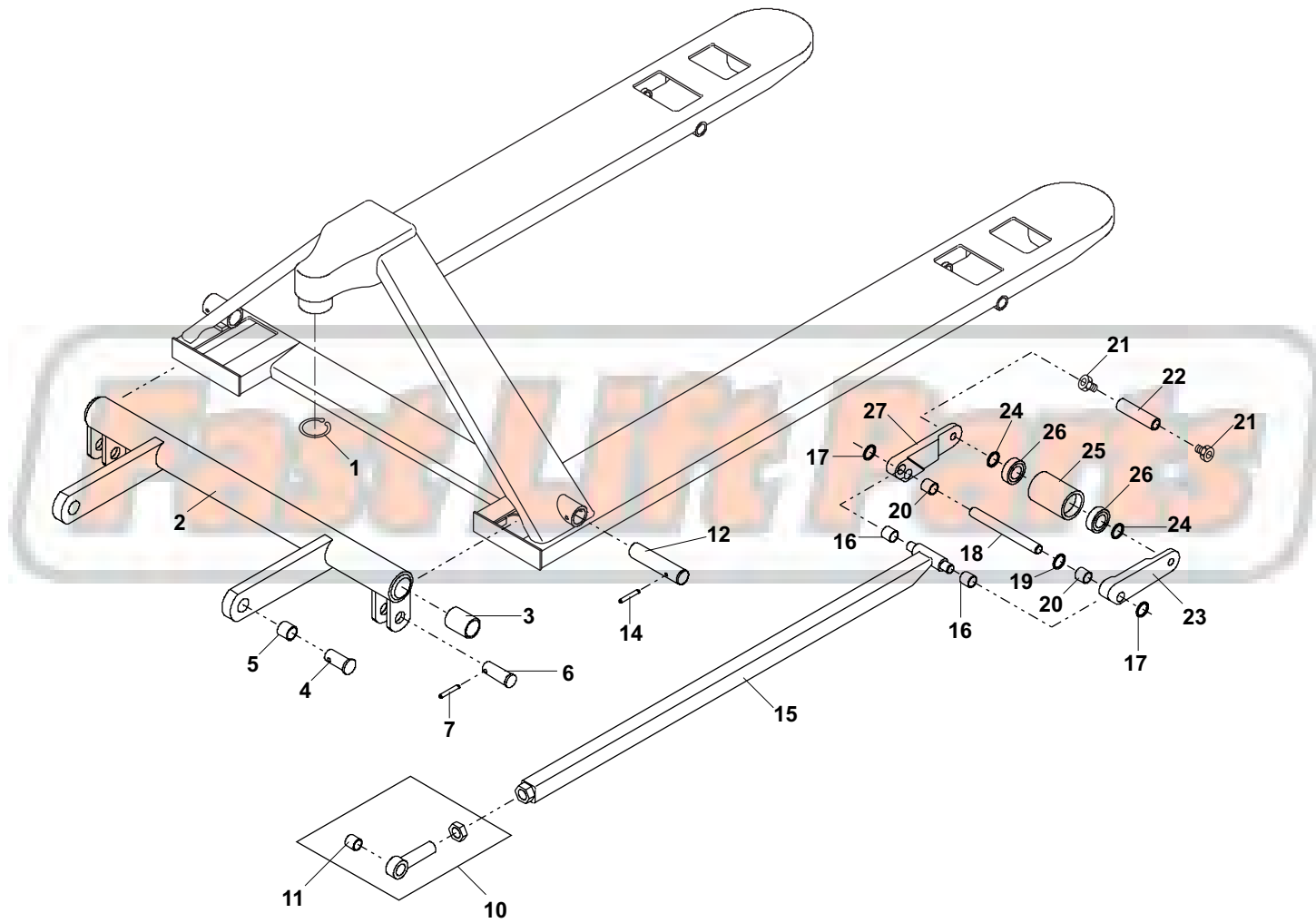


Lift-Rite CF & L30 Frame



See Lift-Rite L55 Hydraulic Unit

Lift-Rite CF & L30 Frame

Item	Part No.	Description
1	PL20232	Snap Ring
2	SF20202	Lifting Link
3	PL20203A	Bushing
4	PL30207	Shoulder Pin
5	PL20206	Bushing
6	PL20227	Eye Bolt
7	PL20269	Split Pin
9	PM20231C	Traverse
10	PL20226	Eye Bolt Assembly
11	PL20226A	Bushing
12	SF20204	Lifting Link Pin
14	SF20269	Roll Pin
15	SF20224X48U	Push Rod, 48" Forks
16	PL20206	Bushing
17	SF20216	Spacer Washer
18	SF20219	Fork Pin

Item	Part No.	Description
19	SF20217	Retaining Ring
20	PL20226A	Bushing
21	MI-FEF1	Screw
22	SF30212-R	Lever Arm Right
23	SF20215	Load Roller Axle
24	PL10216	Spacer Washer
25	PM10210U-B	Load Roller Assembly, Steel W/ Bearings
	PM10210U-P	Load Roller Assembly, Black Ultra-Poly on Steel W/ Bearings
	GWK-CFP-LW	Load Wheel Kit, (2) Black Ultra-Poly Load Roller Assemblies (70D), W/ Bearings, Axles, Washers & Screws
	GWK-CF-LW	Load Wheel Kit, (2) Steel Load Wheel Assemblies, W/ Bearings, Axles, Washers and Screws
26	PM10214S	Bearing
27	SF30212-L	Lever Arm Left

Load Wheel Kit



Load Wheel Kit

