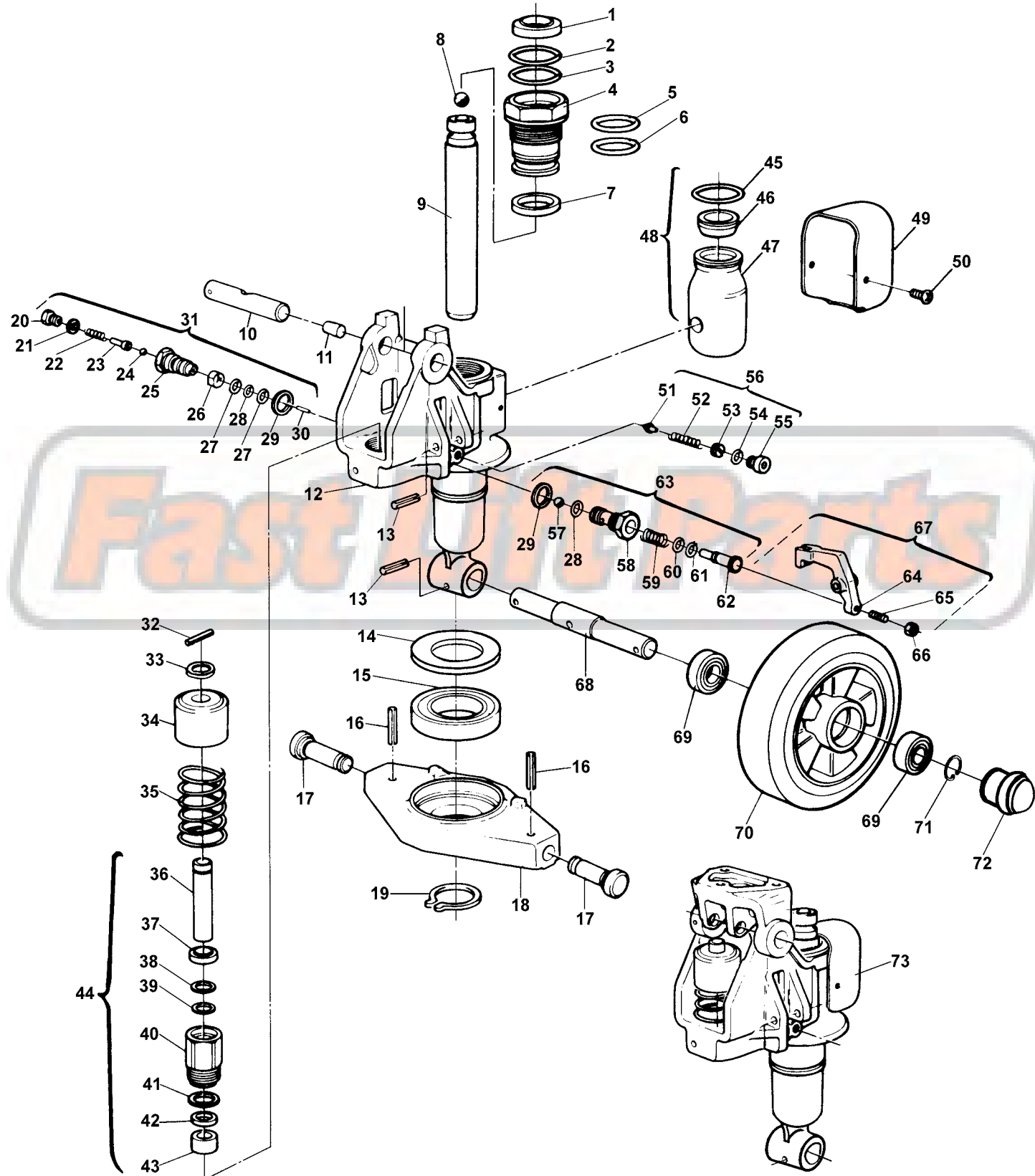


# Hu-Lift HP25L Hydraulic Unit



# Hu-Lift HP25L Hydraulic Unit

| Item | Part No. | Description                                |
|------|----------|--|
| 1    | A 156    | Scraper                                    |
| 2    | 170      | Retainer                                   |
| 3    | A 157    | O-Ring                                     |
| 4    | 159H     | Top Nut                                    |
| 5    | A 157-1  | O-Ring                                     |
| 6    | A 158H   | O-Ring                                     |
| 7    | A 160H   | U-Cup                                      |
| 8    | 101      | Ball                                       |
| 9    | 102      | Ram  |
| 10   | 109      | Handle Pin                                 |
| 11   | 120      | Bushing                                    |
| 12   | 122H     | Pump Body                                  |
| 13   | 121      | Roll Pin                                   |
| 14   | 123      | Dust Cover                                 |
| 15   | 124      | Thrust Bearing                             |
| 16   | 154      | Roll Pin                                   |
| 17   | 155      | Shoulder Pin                               |
| 18   | 153      | Traverse                                   |
|      | 153-A    | Traverse Assembly (Includes Item 15)       |
| 19   | 152      | Snap Ring                                  |
| 20   | 110      | Screw Plug                                 |
| 21   | A 111    | Washer                                     |
| 22   | 112      | Spring                                     |
| 23   | 113      | Spring Guide                               |
| 24   | 114      | Ball                                       |
| 25   | 115      | Valve Body                                 |
| 26   | 116      | Spring                                     |
| 27   | 166      | Retainer                                   |
| 28   | A 117    | O-Ring                                     |
| 29   | A 118    | Washer                                     |
| 30   | 119      | Valve Pin                                  |
| 31   | 115-A    | Valve Assembly                             |
| 32   | 142      | Roll Pin                                   |
| 33   | 143      | Retaining Cover                            |
| 34   | 144      | Spring Cap                                 |
|      | 144-A    | Spring Cap Assembly (Includes Items 32-34) |
| 35   | 145      | Spring                                     |
| 36   | 146      | Piston                                     |
| 37   | A 147    | Scraper                                    |
| 38   | A 168    | Retainer                                   |
| 39   | A 169    | O-Ring                                     |
| 40   | 148      | Pump Cylinder                              |
| 41   | A 151    | Washer                                     |
| 42   | A 149    | U-Cup                                      |

| Item | Part No. | Description  |
|------|----------|--|
| 43   | 150      | Nylon Bushing  |
| 44   | 146-A    | Pump Piston Assembly (Includes Items 36-43)                  |
| 45   | A 161H   | O-Ring   |
| 46   | 162H     | Filler Plug  |
| 47   | 165H     | Reservoir  |
| 48   | 165H-A   | Reservoir Assembly (Includes Items 45,46,47 & Pint of Oil)   |
| 49   | 163H     | Cowling  |
|      | 163H-A   | Cowling Assembly (Includes Items 49 & 50)                    |
| 50   | 164H     | Screw  |
| 51   | 134      | Valve  |
| 52   | 135      | Spring   |
| 53   | 136      | Adjusting Screw  |
| 54   | A 137    | O-Ring   |
| 55   | 138      | Screw  |
| 56   | 138-A    | Safety Valve Assembly (Includes Items 51-55)                 |
| 57   | 129      | Ball   |
| 58   | 130      | Release Valve Body   |
| 59   | 131      | Spring   |
| 60   | A 132    | O-Ring   |
| 61   | 167      | Retainer   |
| 62   | 133      | Release Pin  |
| 63   | 130-A    | Plunger Assembly (Includes Items 28, 29, & 57-62)            |
| 64   | 139H     | Release Lever  |
| 65   | 140H     | Adjusting Screw  |
| 66   | 141      | Nut  |
| 67   | 139H-A   | Activator (Includes Items 64 - 66)                           |
| 68   | 125      | Steer Wheel Axle   |
| 69   | 126      | Bearing  |
| 70   | 127-A-HD | Steer Wheel Assembly, Ultra-Poly On Aluminum Hub W/ Bearings |
|      | 127-A-ST | Steer Wheel Assembly, Poly On Nylon Hub W/ Bearings          |
|      | 127-A-N  | Steer Wheel Assembly, Nylon W/ Bearings                      |
| 71   | 128      | Snap Ring  |
| 72   | 171      | Dust Cover   |
| 73   | 100-AM   | Hydraulic Unit, New After-Market Replacement                 |
|      | HU HL100 | Rebuilt Hydraulic Unit - Exchange                            |
| KITS | A 99     | Seal Kit   |