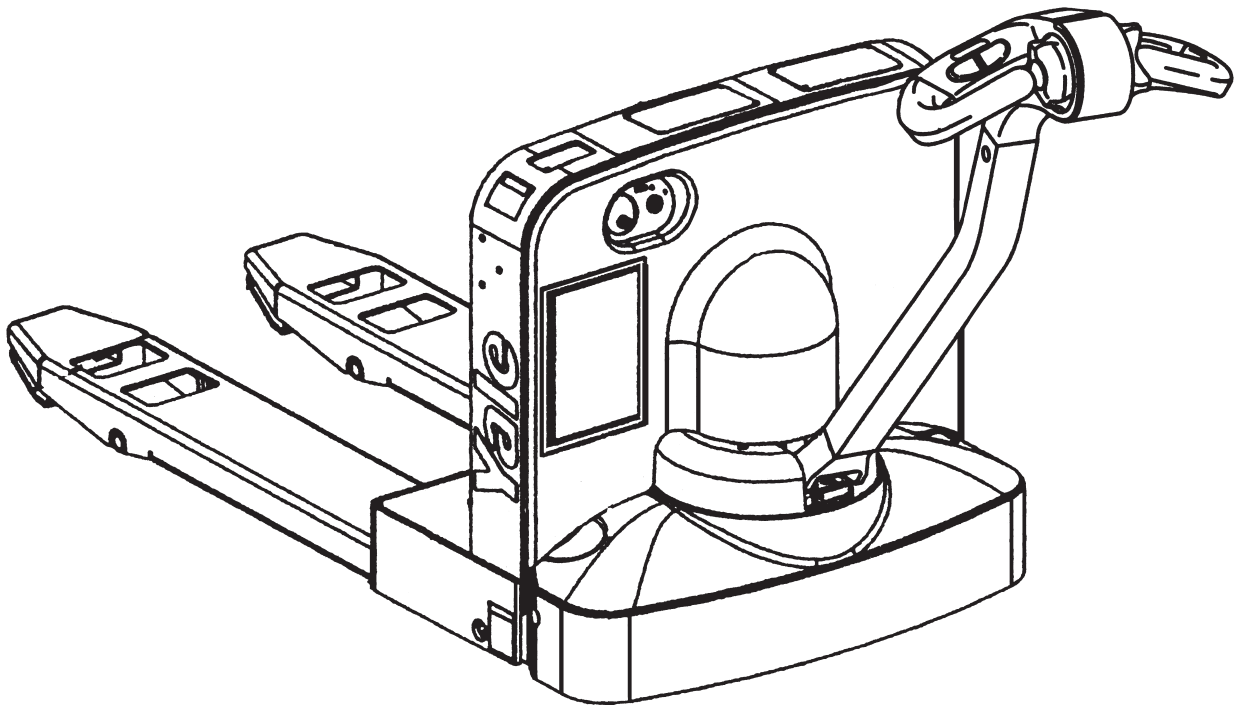


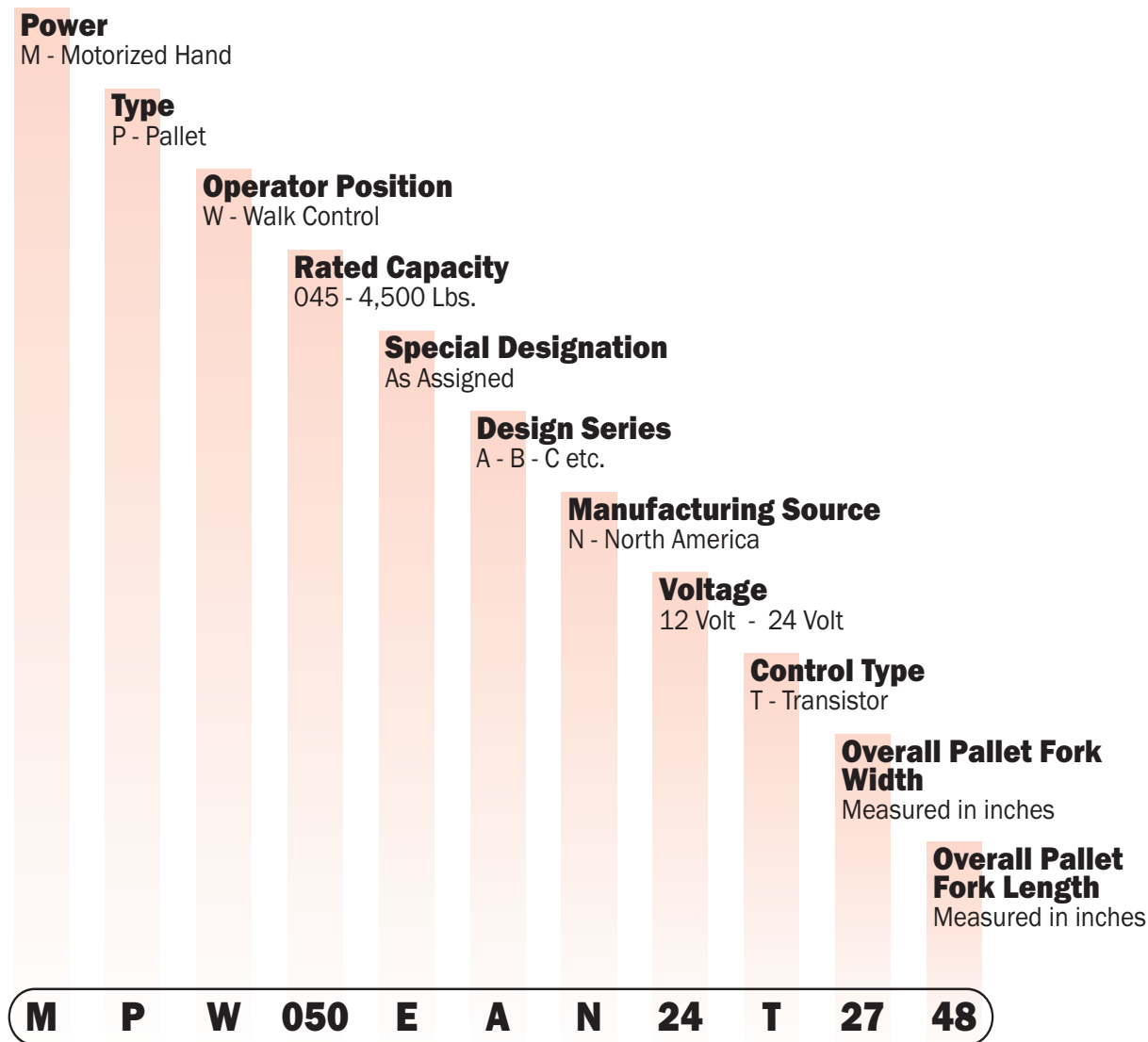
# Replacement Parts for Yale MPW 050 E (C802)



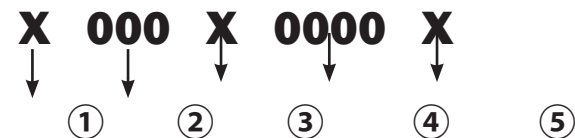
***Fast Lift Parts***

888-999-7715  
[www.fastliftparts.com](http://www.fastliftparts.com)

**Model Nomenclature**



**Truck Serial # (Stamped on Frame)**



- ①② First letter and next three numbers indicate truck unit code.
- ③ Second letter indicates Plant of manufacturer.
- ④ Four or five digit number indicates production sequence.
- ⑤ Final letter indicates year of manufacturer (see list on right).

Note: Serial number breakdown applies only to trucks built after 1994.

- 1980 A
- 1981 B
- 1982 C
- 1983 D
- 1984 E
- 1985 F
- 1986 G
- 1987 H
- 1988 J
- 1989 K
- 1990 L
- 1991 M
- 1992 N
- 1993 P
- 1994 R
- 1995 S
- 1996 T
- 1997 U
- 1998 V
- 1999 W
- 2000 X
- 2001 Y
- 2002 Z
- 2003 A
- 2004 B
- 2005 C
- 2006 D
- 2007 E
- 2008 F
- 2009 G
- 2010 H
- 2011 J
- 2012 K
- 2013 L
- 2014 M
- 2015 N
- 2016 P
- 2017 R
- 2018 S
- 2019 T
- 2020 U
- 2021 V
- 2022 W
- 2023 X
- 2024 Y
- 2025 Z

**Battery Tray and Charger**

**Wheels**

Quick Wheel Lookup 4

**Battery Tray and Connectors**

6

**Electrical - Control Panel**

8

**Drive Unit/Brake**

Drive Unit and Brake 10

**Motors**

Drive and Pump Motors 12

**Tiller Arm**

14

**Control Handle Head**

16

**Hydraulic**

18

**Load Wheel and Lift Linkage**

20

**Caster Assembly - Skid Bar**

22

## Quick Wheel Lookup

## Quick Wheel Lookup

OEM #	Wheel Type	Description	Wheel OD in/mm	Tread Width in/mm	Bearing OD in/mm	Bearing #	Color/ Material
YL 524250486	Load Wheel	Load Wheel Assy, W/ Shielded Bearings & String Guards, 95-A	3.250/83	4.500/114	2.047/52	BS 6205 ZZ	Scotch, 95-A
YL 524250482	Load Wheel	Load Wheel Assy, W/Sealed Bearings & String Guards, 95-A	" "	" "	" "	BS 6205-2RS	" "
YL 582010234	Load Wheel	Load Wheel Assy, W/SS Bearings & String Guards, 95-A	" "	" "	" "	BS 6205-2RS-SS	" "
YL 524250486-XL	Load Wheel	Load Wheel Assy, W/ Shielded Bearings & String Guards, 97-A	3.250/83	4.500/114	2.047/52	BS 6205 ZZ	Cream, 97-A
YL 524250482-XL	Load Wheel	Load Wheel Assy, W/Sealed Bearings & String Guards, 97-A	" "	" "	" "	BS 6205-2RS	" "
YL 582010234-XL	Load Wheel	Load Wheel Assy, W/SS Bearings & String Guards, 97-A	" "	" "	" "	BS 6205 2RS-SS	" "
GWK-MPW050E-LW	Load Wheel Kit	(2) Load Wheel Assy's W/ (2) Axles and Fasteners	3.250/83	4.500/114	2.047/52	BS 6205-2RS	Scotch, 95-A
YL 524328746	Riser & Load Wheel	Complete Riser & Load Wheel Assy, 95-A					
YL 582007339	Riser & Load Wheel	Complete Riser & Load Wheel Assy, 95-A Stainless Bearings					
YL 524328746-XL	Riser & Load Wheel	Complete Riser & Load Wheel Assy, 97-A					Cream, 97-A
YL 582007339-XL	Riser & Load Wheel	Complete Riser & Load Wheel Assy, 97-A Stainless Bearings					" "
YL 524252456	Rubber Drive Tire	Rubber Drive Tire, Smooth Flat	9.00/229	5.00/127			Black Rubber
YL 524252456-XG	Rubber Drive Tire	Rubber DriveTire, X Groove Traction	" "	" "			" "
YL 524251411	Rubber Drive Tire	Rubber Drive Tire Assy, Smooth Flat With Hub	" "	" "			" "
YL 524251411-XG	Rubber Drive Tire	Rubber Drive Tire Assy, Smooth Flat With Hub	" "	" "			" "
YL 524285669	Poly Drive Tire	Poly Drive Tire, 88-92-A, Smooth Flat	9.00/229	5.00/127			Black, 88-92-A
YL 524285669-XG	Poly Drive Tire	Poly Drive Tire, 88-92-A, X Groove	" "	" "			" "
YL 550011239	Poly Drive Tire	Poly Drive Tire Assy, 88-92-A, Smooth Flat With Hub	" "	" "			" "
YL 550011239-XG	Poly Drive Tire	Poly Drive Tire Assy, 88-92-A, X Groove With Hub	" "	" "			" "
YL 550013199	Wheel Hub	Drive Tire Hub					

**YL 524250486**  
Load Wheel Assembly w/  
Bearings and String Guards



**YL 150118854**  
Load Wheel Assembly w/String  
Guards and Axle



**YL 524143966**  
Complete Riser and Load Wheel  
Assembly



**GWK-MPW050-LW**  
Load Wheel Assembly Kit w/  
Bearings, Axles and Fasteners



**YL 550011239**  
Poly Drive Tire w/Hub



**YL 524251411**  
Rubber Drive Tire w/Hub







Now offering  
**FREE shipping**  
on orders over  
**\$450\***

and if you order  
before 3:30pm EST  
we even ship your order  
on the same day!

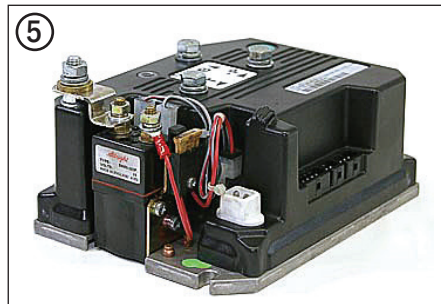
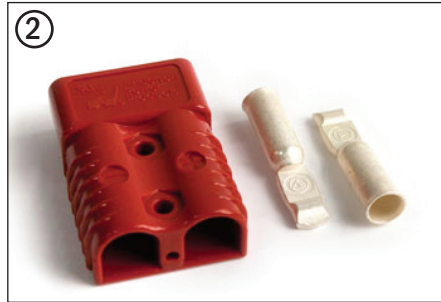
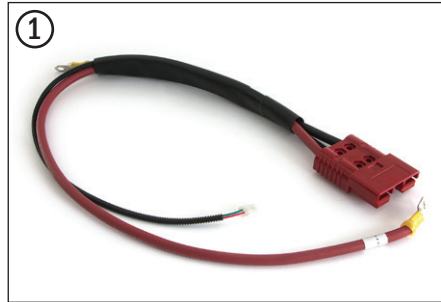
\*Ground. Does not include equipment sales, Continental U.S. only

## Battery Tray and Connectors

Item	Part No.	Description
1	YL 524150972	Battery Tray (Track Design) (Not shown)
2	YL 449001058	Cap Screw (Battery Tray)
3	YL 449021010	Washer (Battery Tray)
4	YL 449022017	Lock Washer (Battery Tray)
5	YL 449015029	Nut (Battery Tray)
6	YL 505064204	Retainer Plate
7	YL 503163204	Plate
8	YL 580032563	Cap Screw (Retainer Plate)
9	YL 015026000	Lock Washer (Retainer Plate)
10	YL 504035208	Battery Roller
11	YL 524149719	Spacer, Battery
12	YL 449001415	Cap Screw (Spacer)
13	YL 449022016	Lock Washer (Spacer)
14	YL 580036693	Cap screw (Securing Battery)
15	YL 504238298	Lock Nut (Securing Battery)
16	YL 503954200	Battery Connector Pull Handle (with hardware)



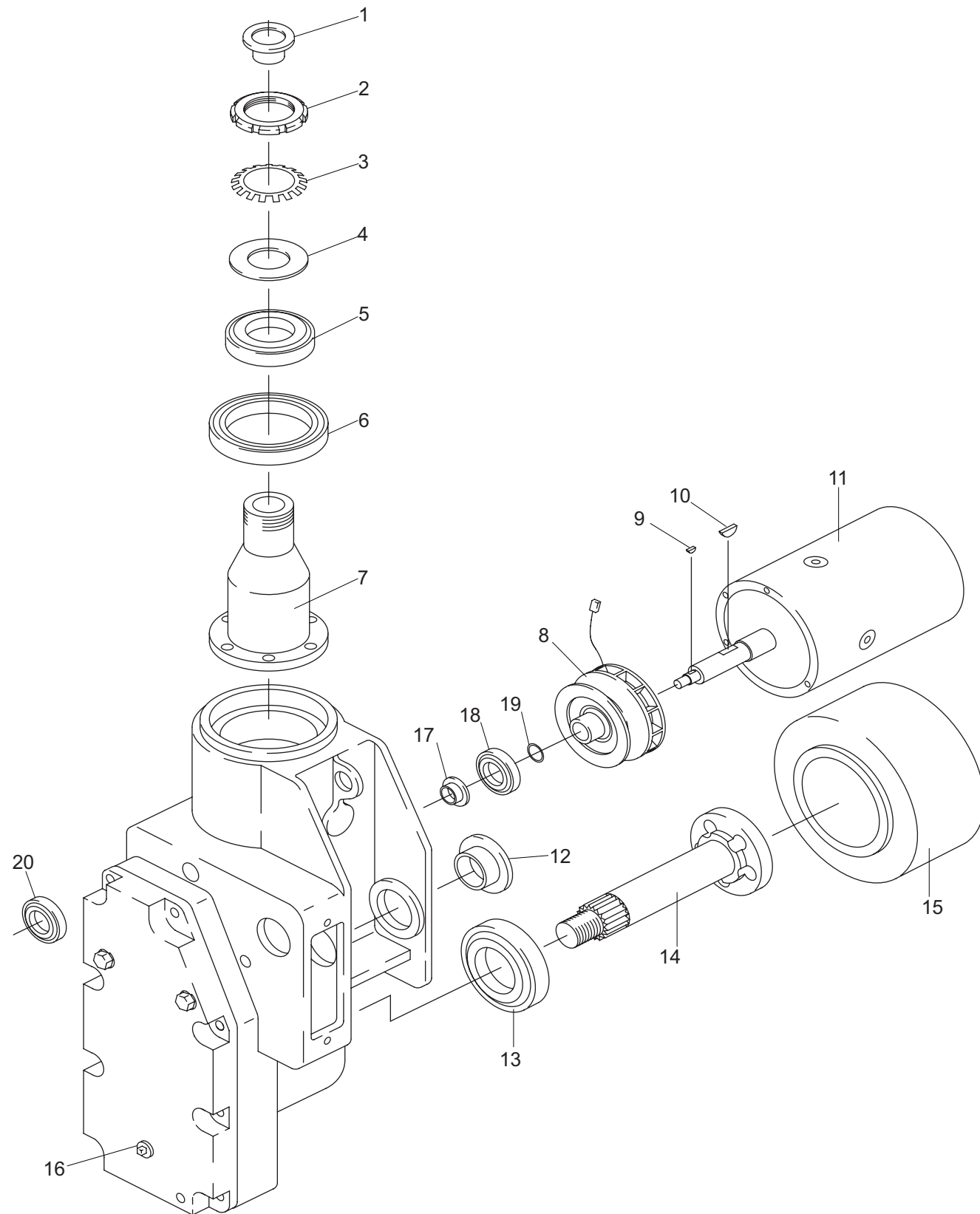
**Electrical - Control Panel**



**Electrical - Control Panel**

Item	Part No.	Description
1	YL 524148474	Battery Connector & Cable Assembly
2	YL 723291304	Battery Connector (Red W/ 1/0 Terminals)
3	YL 502535902	1/0 Terminal (Set 2pc)
4	YL 502164908	Cable (Connector to Battery) (Not shown)
5	YL 524241289-R	Controller, 24 Volt, Remanufactured
6	YL 524241289-C	Core Deposit (Not shown)
7	YL 524149515	Contactor
8	YL 500863104	Ignition Switch W/ (2) Keys
9	YL 500863106	Keys, Set of (2)
10	YL 580026708	Battery Discharge Indicator (W/ Wire Harness)
11	YL 524163968	Fuse, 175 Amp
12	YL 505972528	Fuse, 5 Amp
13	YL 524143269	Horn, Safe-T-Alert, 2000 Series, 12-24V, 102 DB
14	YL 524149908	Main Wiring Harness, 24 Volt
15	YL 752830300	Ground Static Strap

**Drive Unit and Brake Assembly**



**Drive Unit and Brake Assembly**

Item	Part No.	Description
1	YL 520012800	Sleeve
2	YL 940800905	Nut
3	YL 940801905	Lockwasher
4	YL 524149333	Seal
5	YL 580032520	Bearing Set
6	YL 580032519	Bearing Set
7	YL 524149332	Spindle
8	YL 524148583	Brake Assembly
9	YL 502389911	Woodruff Key
10	YL 524158214	Key
11	Motor	See Motor Section Page 12
12	YL 272015100	Bushing
13	YL 055076400	Bearing Cup
	YL 060235200	Bearing Cone
14	YL 506566500	Drive Axle
15	Tire	See Quick Wheel Lookup Section Page 4
16	YL 524158215	Drain Plug
17	YL 524179810	Spacer (Oil Flinger)
18	YL 015130200	Bearing
19	YL 580039449	O-Ring
20	YL 524179811	Bearing

**Motors**

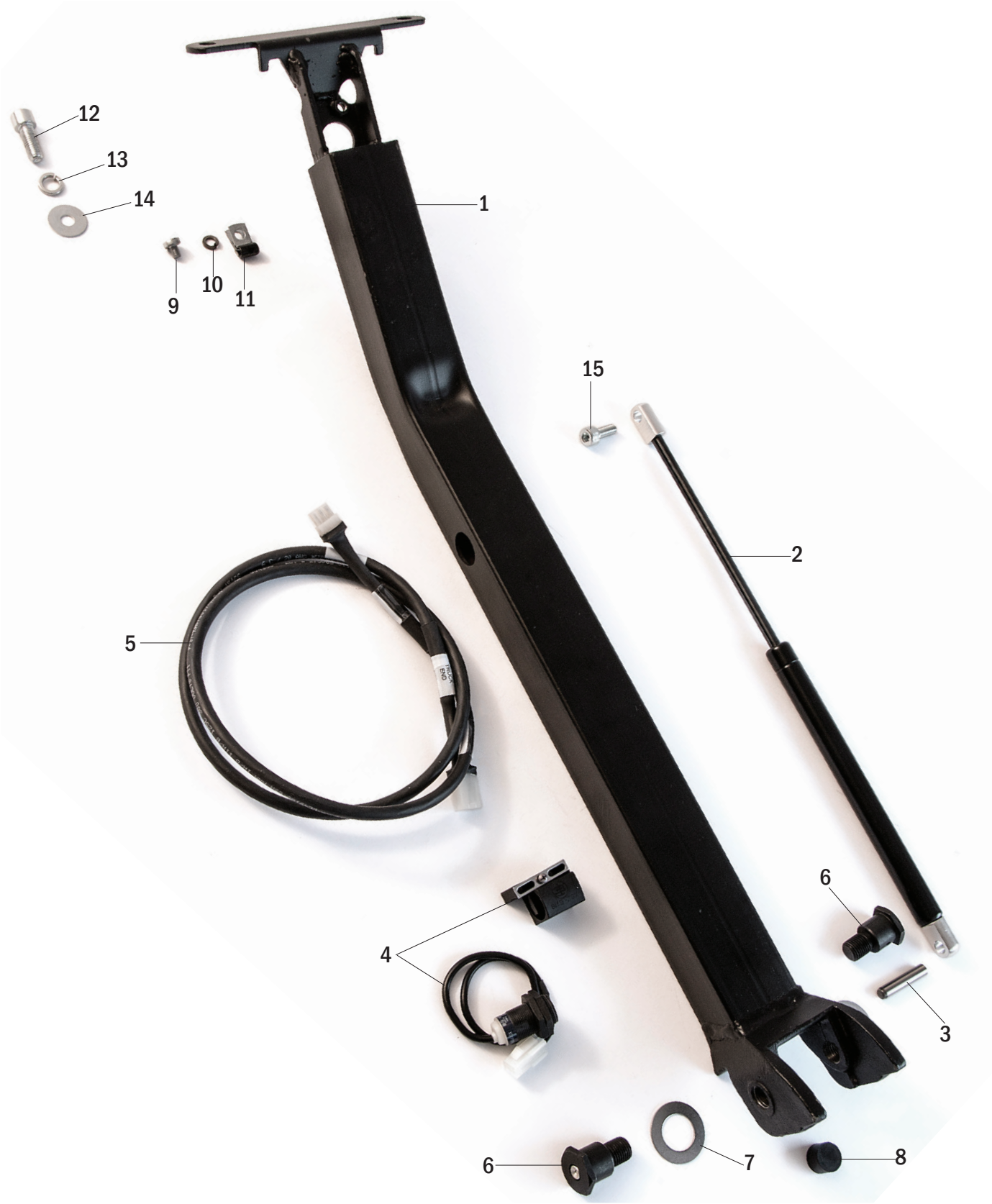


**Motors**

Item	Part No.	Description
1	YL 580031000-AM	Traction Motor, 24 Volt, After-Market
2	YL 580029149-AM	Traction Motor Brush & Spring Set, After-Market Motor
3	YL 580029149	Traction Motor Brush & Spring Set, OEM Motor
4	YL 524184972	Motor Cover, Right Hand Side
	YL 524184971	Motor Cover, Left Hand Side
5	YL 580064007	Pump Motor, 24 Volt



**Tiller Arm**

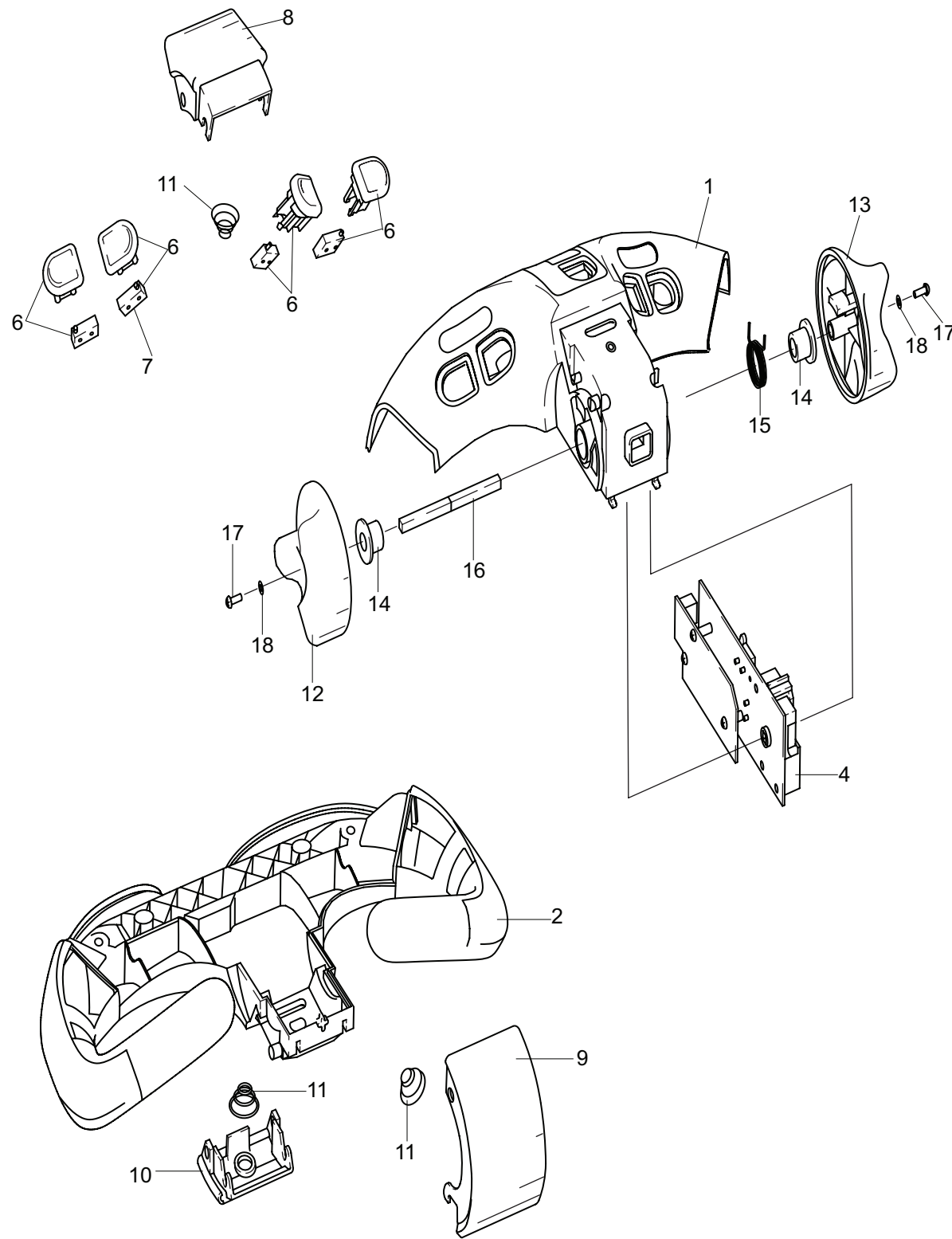


**Tiller Arm**

Item	Part No.	Date/Serial Range	Description
1	YL 524143951	Thru S/N C802N03445G	Tiller Handle Arm (Composite/ Plastic Tiller Head)
	YL 582003278	Thru S/N C802N03446G & Later	Tiller Handle Arm (Metal Tiller Head)
2	YL 580046812	Thru S/N C802N02829F	Gas Spring
	YL 580083554	Thru S/N C802N02830F & Later	Gas Spring
	YL 582002563	Thru S/N C802N03446G & Later	Gas Spring
3	YL 580063963		Dowel Pin
4	YL 524228854		Proximity Sensor
5	YL 580046976		Wire Harness, Tiller Handle
6	YL 524179191		Pin, Tiller Pivot (2 Required) with Lube Fitting
	YL 524190001		Pin, Tiller Pivot (2 Required) with Lube Fitting
7	YL 272006400		Washer (2 Required)
8	YL 524149326		Bumper (2 Required)
9	YL 520053859	Thru S/N C802N03445G	Screw
	YL 449007001	Thru S/N C802N03446G & Later	Screw
10	YL 449022018		Washer
11	YL 580021175		Clamp
12	YL 900014292	Units Built Before 2005	Cap screw
	YL 580030967		Bolt (Composite /Plastic Tiller Head)
	YL 582015520		Nut (Composite /Plastic Tiller Head)
	YL 582002098		Bolt (Metal Tiller Head)
13	YL 449021001		Lock Washer
14	YL 449022016		Washer
15	YL 272106000		Screw
16	YL 580032000		Plug (Not Shown)



**Control Handle Head**



**Control Handle Head**

Item	Part No.	Date/Serial Range	Description
	YL 524138793		Tiller Head Assembly
1	YL 524139006		Control Handle, Upper
2	YL 524182434	Thru S/N C802N03445G	Control Head, Lower STD Composite
	YL 524338448	Thru S/N C802N03446G & Later	Control Head, Lower STD Composite
	YL 582001472	Thru S/N C802N03446G & Later	Control Head, Metal Tiller Head
3	YL 550010160		Handle Upgrade Kit, Metal Tiller Head
4	YL 582006562-R		Interface Board, Renewed
	YL 582006562-C		Core Deposit
5	YL 524148521		Switch Assembly, (2) Wire, RH & LH
6	YL 524149804		Button , Gold
7	YL 580026824		Microswitch, ON/Off Switch W/ Molex Conector
8	YL 524139009	Thru S/N C802N03445G	Horn Cover
	YL 582003460	Thru S/N C802N03446G & Later	Horn Cover
9	YL 580011991		Cover, Belly Switch
10	YL 524139010		Cover, Turtle Option
	YL 582003459		Cover, Turtle Option for Metal Handle
11	YL 580012969		Spring, (Belly/Horn/Turtle)
12	YL 524236628		Buttlerfly Switch, Left Hand
13	YL 524236627		Buttlerfly Switch, Right Hand
14	YL 580012962		Bushing, Buttlerfly Switch
15	YL 580012970		Spring, Throttle
16	YL 580013106		Camshaft, Directional Control
17	YL 580026296		Cap Screw
18	YL 940004902		Washer

**Hydraulics**

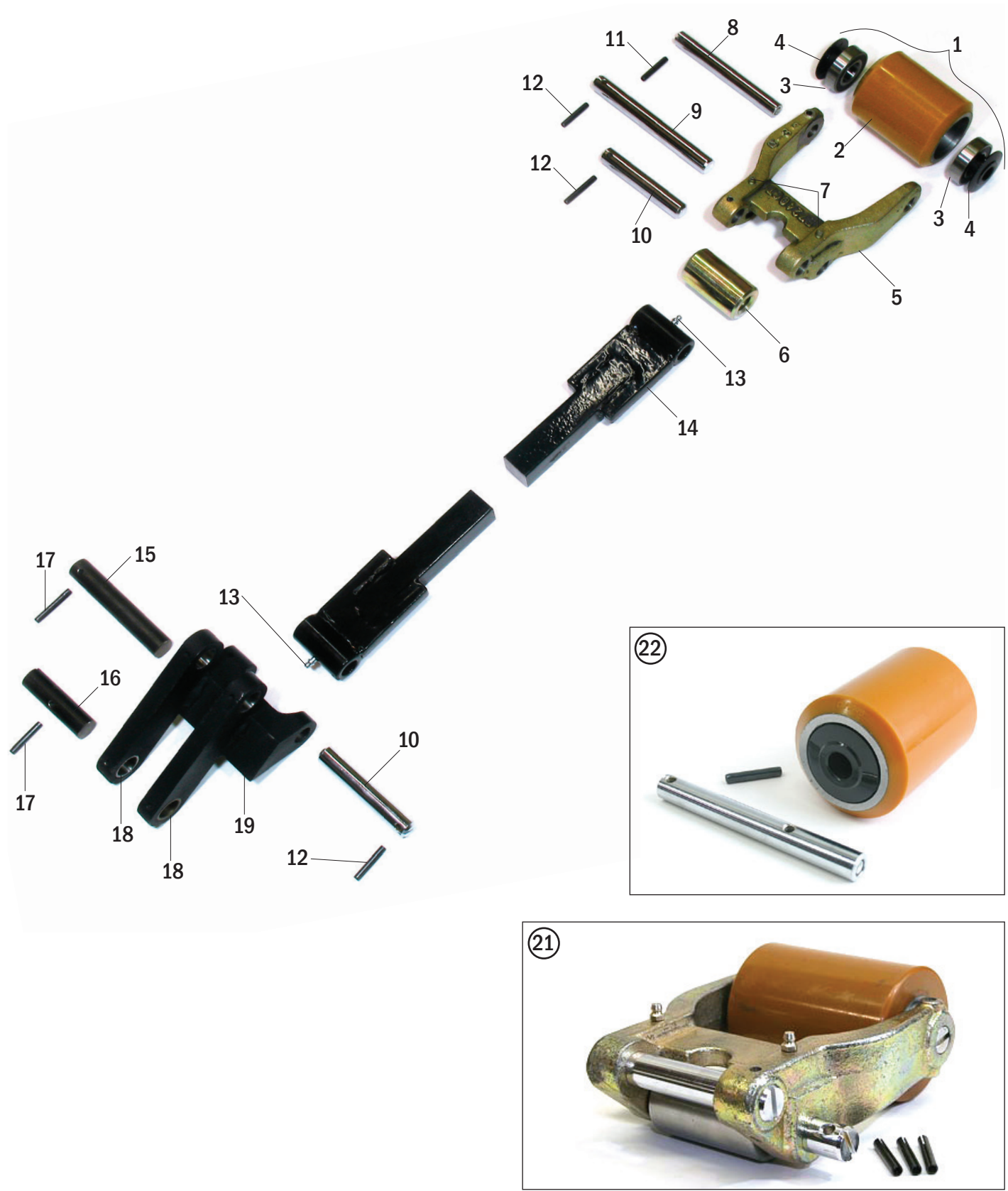


**Hydraulics**

Item	Part No.	Description
1	YL 580062263	Hydraulic Power Unit Hydraulic Motor See Motor Section Page 12
2	YL 580057212	Solenoid Valve
3	YL 580057918	Breather
4	YL 524149215	Lift Cylinder
5	YL 524151086	Seal Kit, Lift Cylinder
6	YL 501710910	Hose
7	YL 524240814	Fitting, Hose to Pump Body
8	YL 524149331	Fitting, Hose to Cylinder
9	YL 310913280	Tube(Not Shown)
10	YL 504114800	Fitting, Tube to Cylinder



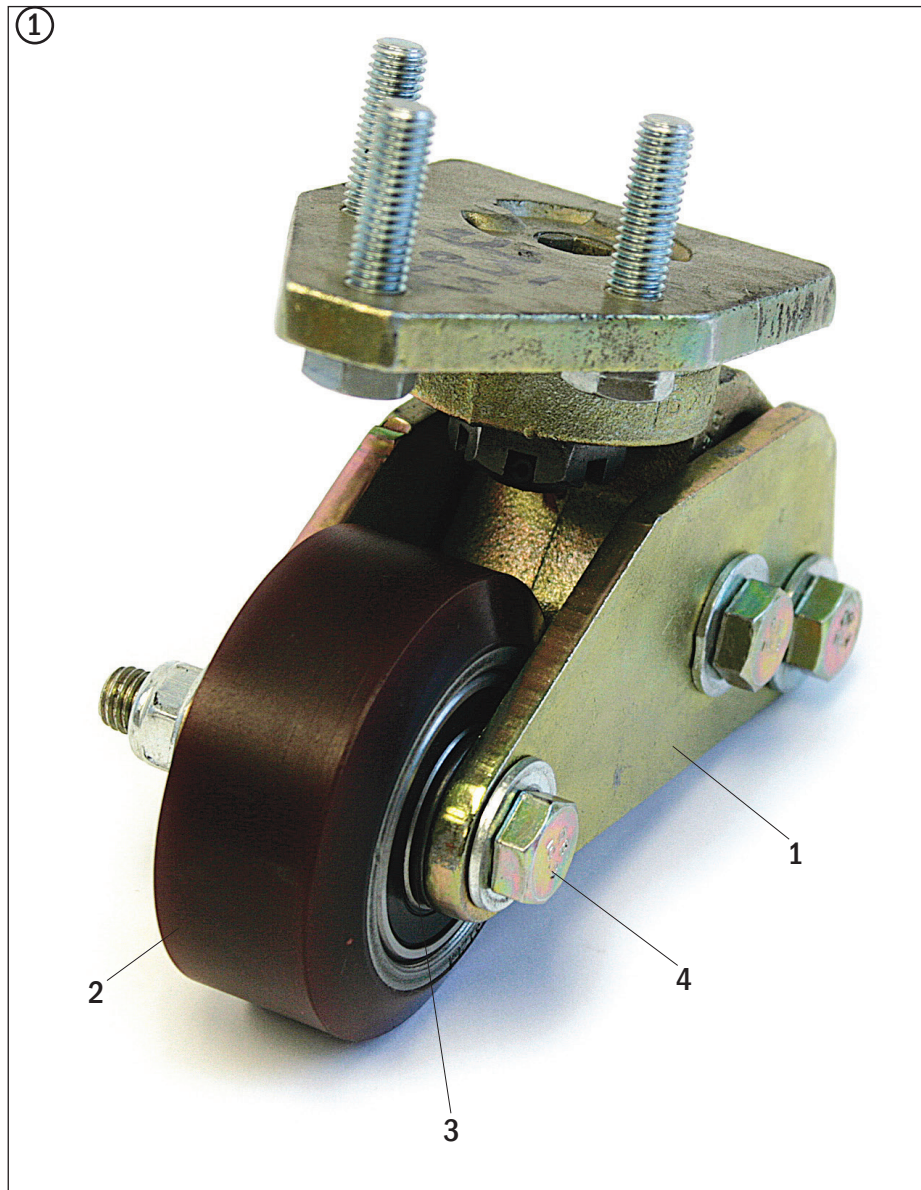
**Load Wheel & Lift Linkage**



**Load Wheel & Lift Linkage**

Item	Part No.	Description	Item	Part No.	Description
1	YL 524250486	Load Wheel Assy, W/ Shielded Bearings & String Guards, 95-A	11	YL 524148755	Spiral Pin
	YL 524250482	Load Wheel Assy, W/ Sealed Bearings & String Guards, 95-A	12	YL 585096802	Spiral Pin
	YL 582010234	Load Wheel Assy, W/ SS Bearing & String Guards, 95-A	13	YL 524148754	Lube Fitting
	YL 524250486-XL	Load Wheel Assy, W/ Shielded Bearings & String Guards, 97-A	14	YL 524238763	Push Rod, 48" Fork Length X 27" Spread
	YL 524250482-XL	Load Wheel Assy, W/ Sealed Bearings & String Guards, 95-A	15	YL 524221064	Pivot Pin
	YL 582010234-XL	Load Wheel Assy, W/ SS Bearing & String Guards, 97-A	16	YL 524221063	Pivot Pin
2	YL 524148750	Poly Load Wheel, 95-A	17	YL 585096801	Spiral Pin
	YL 524148750-XL	Poly Load Wheel, 97-A	18	YL 524140879	Bushing
3	YL 524148751	Wheel Bearing, Shielded	19	YL 524144864	Lower Rear Link, RH
	YL 524148567	Wheel Bearing, Sealed	20	YL 524144865	Lower Rear Link, LH
	YL 550023493	Wheel Bearing, Sealed Stainless	21	YL 524328746	Complete Riser Assy W/ Load Wheel Assy, 95-A
4	YL 524148752	Bushing		YL 582007339	Complete Riser Assy W/ Load Wheel Assy SS BRGS, 95-A
5	YL 524250478	Riser Bracket		YL 524328746-XL	Complete Riser Assy W/ Load Wheel Assy, 97-A
6	YL 751791300	Steel Exit Roller		YL 582007339-XL	Complete Riser Assy W/ Load Wheel Assy SS BRGS, 97-A
7	YL 524250487	Lube Fitting	22	YL 150118854	Poly Load Wheel & Axle Assy, 95-A
8	YL 524148753	Load Wheel Axle, Standard & Cold Storage		YL 150118854-XL	Poly Load Wheel & Axle Assy, 97-A
	YL 524250488	Load Wheel Axle, Food Processing	23	YL 524144397	Link
9	YL 524221066	Pivot Pin, Freezer/ Corrosion Resistant	24	YL 953700901	Grease Fitting
10	YL 524221067	Pivot Pin, Freezer/ Corrosion Resistant	25	YL 449001134	Cap Screw
			w26	YL 449022016	Lock Washer
			27	YL 449015014	Nut
			28	YL 524221065	Pin
			29	YL 585096801	Pin
			30	YL 524148922	Pin Weldment

**Caster Assembly - Skid Bar**



**Caster Assembly - Skid Bar**

Item	Part No.	Description
1	YL 580023164	Caster Assembly, After-Market Replacement
2	YL 524149213	Caster Wheel Assembly, 95-A, Incl Bearings
	YL 524149213-XL	Caster Wheel Assembly, 97-A, Incl Bearings
3	YL 524149643	Bushing
4	YL 524149495	Axle, Bolt & Nut
5	YL 524149414	Stabilizer
	YL 524205967	Stabilizer
6	YL 449001015	Capscrew
7	YL 449022013	Lockwasher
8	YL 524207577	Plate





***Fast Lift Parts***

**888-999-7715**  
**[www.fastliftparts.com](http://www.fastliftparts.com)**