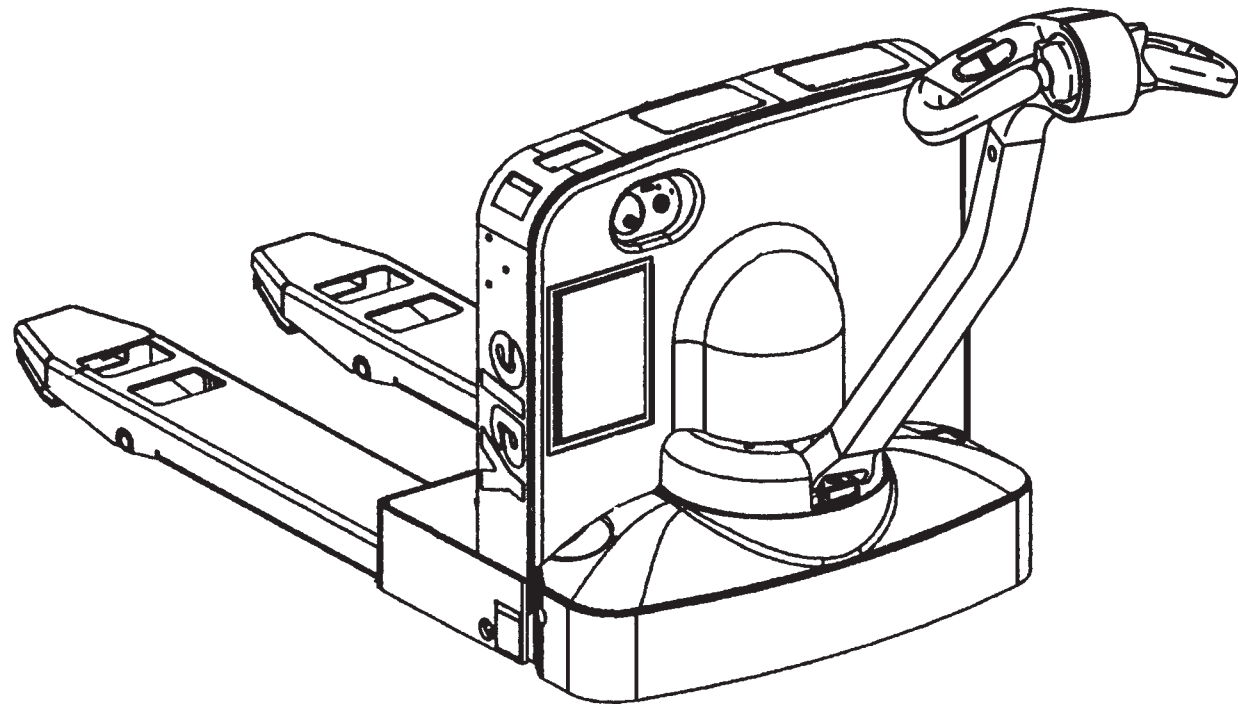
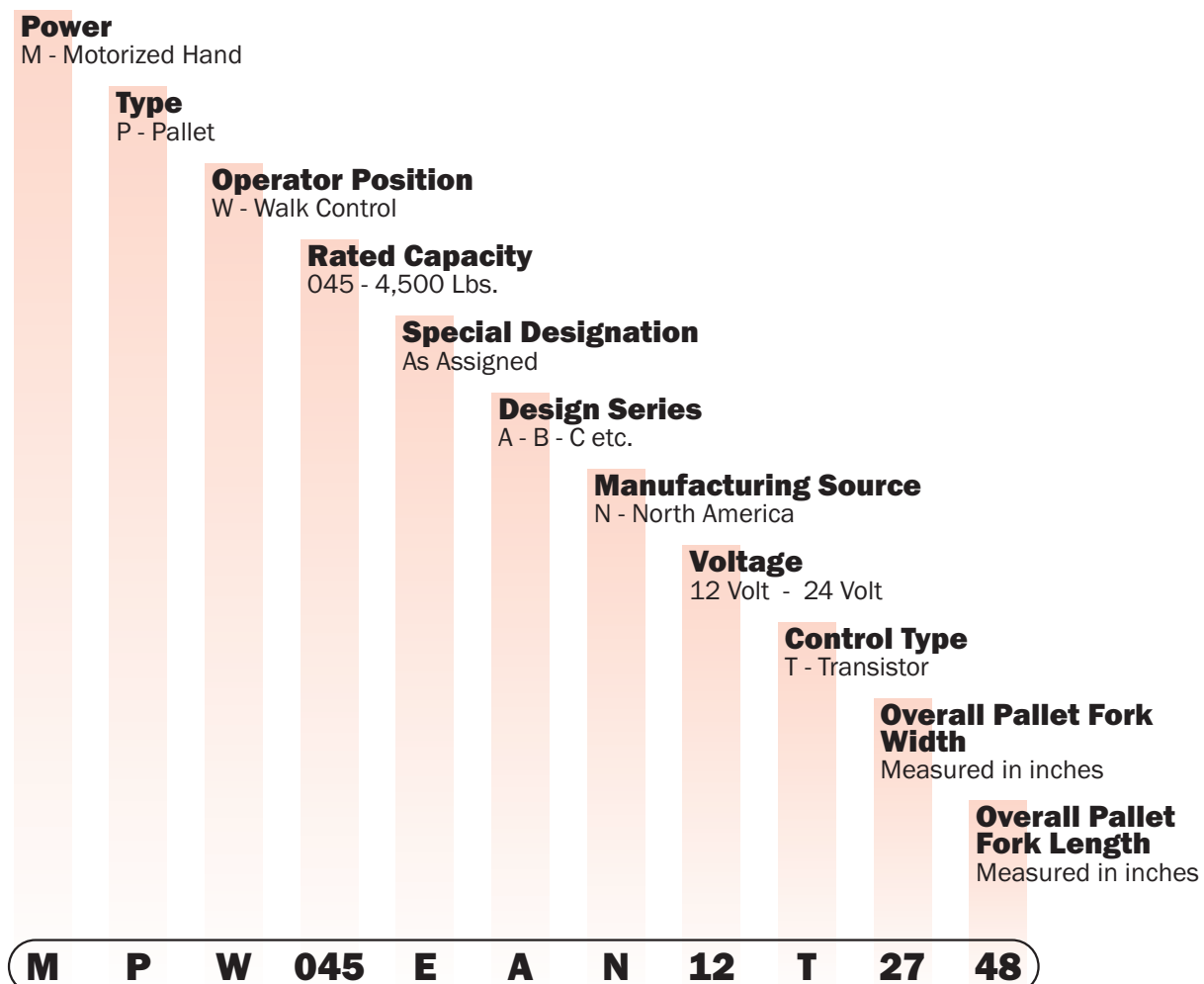


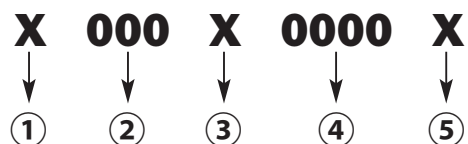
**Replacement Parts  
for  
Yale MPB 040 E (B827)  
Yale MPW 045 E (B802)**



## Model Nomenclature



### Truck Serial # (Stamped on Frame)



- ①② First letter and next three numbers indicate truck unit code.
- ③ Second letter indicates Plant of manufacturer.
- ④ Four or five digit number indicates production sequence.
- ⑤ Final letter indicates year of manufacturer (see list on right).

Note: Serial number breakdown applies only to trucks built after 1994.

- 1980 A
- 1981 B
- 1982 C
- 1983 D
- 1984 E
- 1985 F
- 1986 G
- 1987 H
- 1988 J
- 1989 K
- 1990 L
- 1991 M
- 1992 N
- 1993 P
- 1994 R
- 1995 S
- 1996 T
- 1997 U
- 1998 V
- 1999 W
- 2000 X
- 2001 Y
- 2002 Z
- 2003 A
- 2004 B
- 2005 C
- 2006 D
- 2007 E
- 2008 F
- 2009 G
- 2010 H
- 2011 J
- 2012 K
- 2013 L
- 2014 M
- 2015 N
- 2016 P
- 2017 R
- 2018 S
- 2019 T
- 2020 U
- 2021 V
- 2022 W
- 2023 X
- 2024 Y
- 2025 Z

## Content

<b>Wheels</b>	
Quick Wheel Lookup	4
<b>Electrical - Battery Tray and Charger</b>	
	6
<b>Electrical - Control Panel</b>	
	8
<b>Drive Unit/Brake</b>	
Drive Unit and Brake	10
<b>Motors</b>	
Drive and Pump Motors	12
<b>Tiller Arm</b>	
	14
<b>Control Handle Head</b>	
	16
<b>Hydraulic</b>	
	18
<b>Load Wheel and Lift Linkage</b>	
	20
<b>Caster Assembly - Skid Bar</b>	
	22

### Quick Wheel Lookup

### Quick Wheel Lookup

OEM #	Wheel Type	Date Range	Description	Wheel OD in/mm	Tread Width in/mm	Bearing OD in/mm	Bearing #	Color/Material
YL 524250486	Load Wheel	Thru 11/2005	Load Wheel Assy, W/ Shielded Bearings & String Guards, 95-A	3.250/83	4.500/114	2.047/52	BS 6205-ZZ	Scotch, 95-A
YL 524250482	Load Wheel	Begin 12/2005	Load Wheel Assy, W/ Sealed Bearings & String Guards, 95-A	" "	" "	" "	BS 6205-2RS	" "
YL 582010234	Load Wheel	Begin 12/2005	Load Wheel Assy, W/ SS Bearing & String Guards,95-A	" "	" "	" "	BS 6205-2RS-SS	" "
YL 524250486-XL	Load Wheel	Thru 11/2005	Load Wheel Assy, W/ Shielded Bearings & String Guards, 97-A	3.250/83	4.500/114	2.047/52	BS 6205-ZZ	Cream, 97-A
YL 524250482-XL	Load Wheel	Begin 12/2005	Load Wheel Assy, W/ Sealed Bearings & String Guards, 95-A	" "	" "	" "	BS 6205-2RS	" "
YL 582010234-XL	Load Wheel	Begin 12/2005	Load Wheel Assy, W/ SS Bearing & String Guards,97-A	" "	" "	" "	BS 6205-2RS-SS	" "
GWK-MPB040E-LW	Load Wheel Kit		(2) Load Wheel Assy's W/ (2) Axles and Fasteners	3.250/83	4.500/114	2.047/52	BS 6205-2RS	Scotch, 95-A
YL 524143966	Riser & Load Wheel	Thru 11/2005	Complete Riser & Load Wheel Assy, 95-A					Scotch, 95-A
YL 524328746	Riser & Load Wheel	Begin 12/2005	Complete Riser & Load Wheel Assy, 95-A					" "
YL 524143966-XL	Riser & Load Wheel	Thru 11/2005	Complete Riser & Load Wheel Assy, 97-A					Cream, 97-A
YL 524328746-XL	Riser & Load Wheel	Begin 12/2005	Complete Riser & Load Wheel Assy, 97-A					" "
YL 517580811	Rubber Drive Tire		Rubber Drive Tire, Smooth Flat	9.00/229	5.00/127			Black Rubber
YL 517580811-XG	Rubber Drive Tire		Rubber DriveTire, X Groove	" "	" "			" "
YL 505936504	Rubber Drive Tire	Thru 7/2005	Rubber Drive Tire Assy, Smooth Flat With Hub	" "	" "			" "
YL 524251411	Rubber Drive Tire	Begin 8/2005	Rubber Drive Tire Assy, Smooth Flat With Hub	" "	" "			" "
YL 505936504-XG	Rubber Drive Tire	Thru 7/2005	Rubber Drive Tire Assy, X Groove With Hub	" "	" "			" "
YL 524251411-XG	Rubber Drive Tire	Begin 8/2005	Rubber Drive Tire Assy, X Groove With Hub	" "	" "			" "
YL 524261760	Poly Drive Tire		Poly Drive Tire, 88-92-A, Smooth Flat	9.00/229	5.00/127			Black, 88-92-A
YL 524261760-XG	Poly Drive Tire		Poly Drive Tire, 88-92-A, X Groove	" "	" "			" "
YL 524142926	Poly Drive Tire		Poly Drive Tire Assy, 88-92-A, Smooth Flat With Hub	" "	" "			" "
YL 524142926-XG	Poly Drive Tire		Poly Drive Tire Assy, 88-92-A, X Groove With Hub	" "	" "			" "
YL 524252457			Drive Tire Hub					

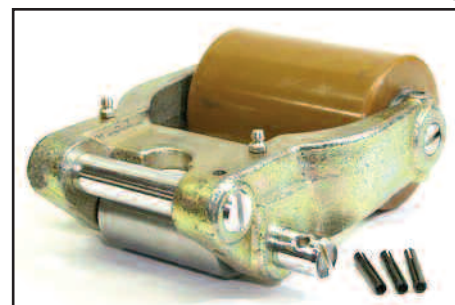
**YL 524148750-A**  
Load Wheel Assembly w/Bearings and String Guards



**YL 150118854**  
Load Wheel Assembly w/String Guards and Axle



**YL 524143966**  
Complete Riser and Load Wheel Assembly



**GWK-MPB040E-LW**  
Load Wheel Assembly Kit w/Bearings, Axles and Fasteners



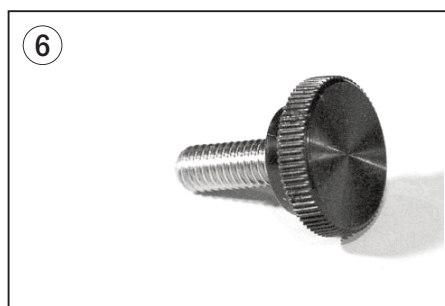
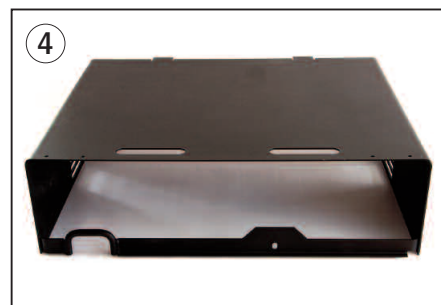
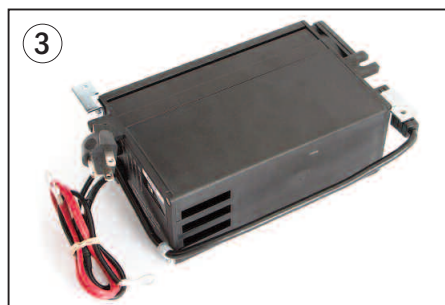
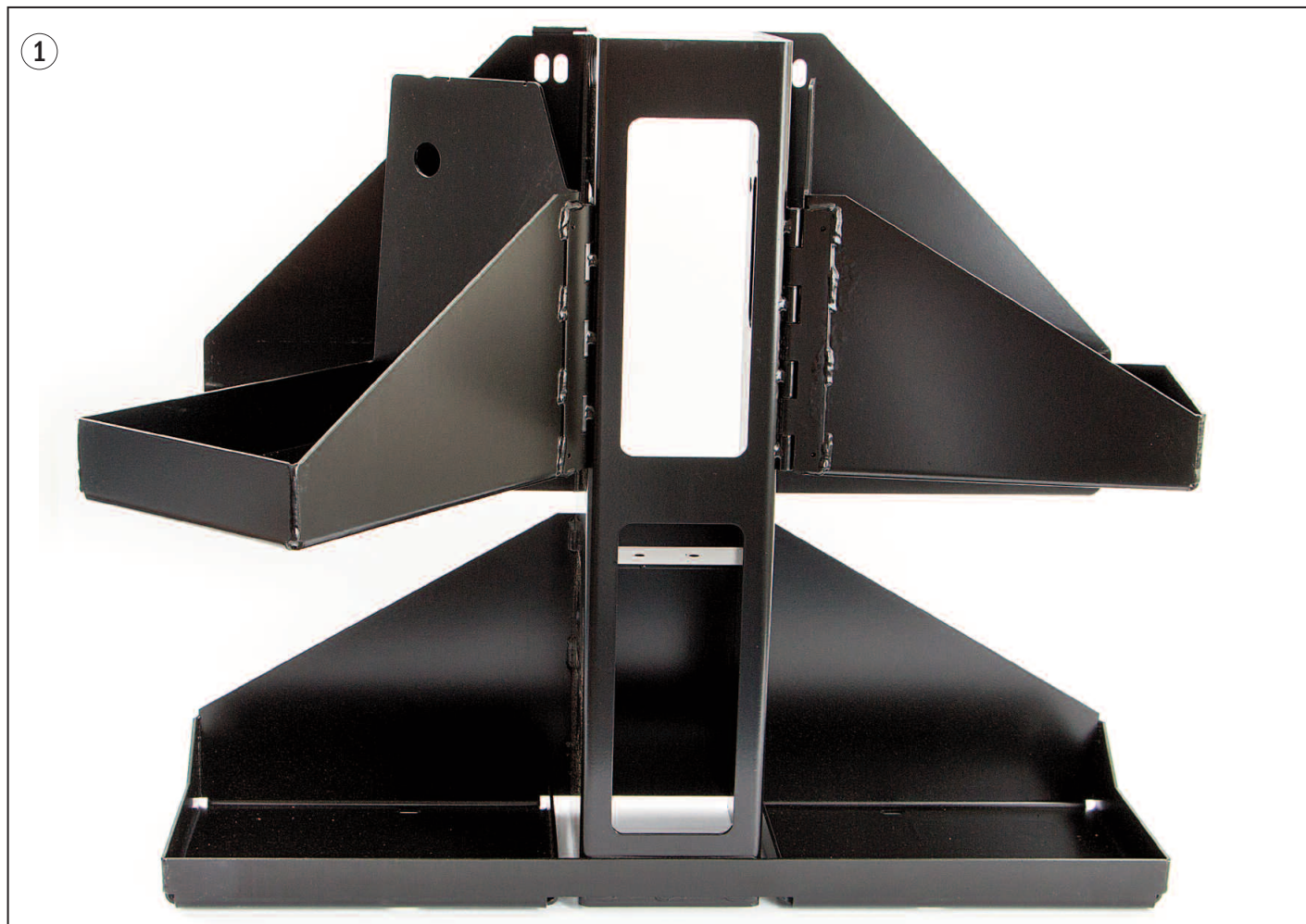
**YL 524142925**  
Poly Drive Tire w/Hub



**YL 524142926**  
Rubber Drive Tire w/Hub



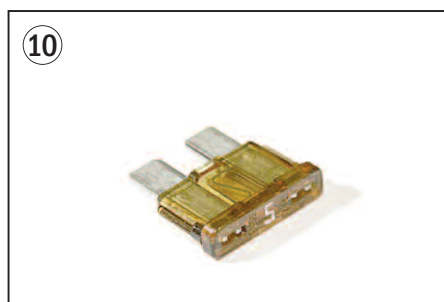
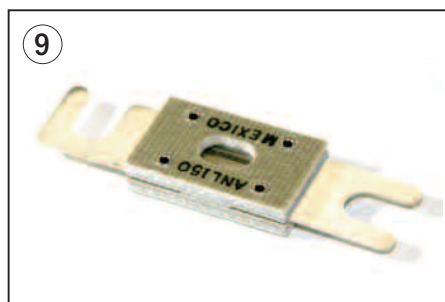
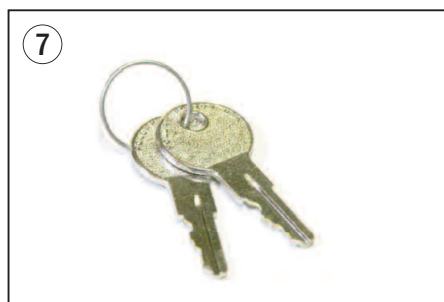
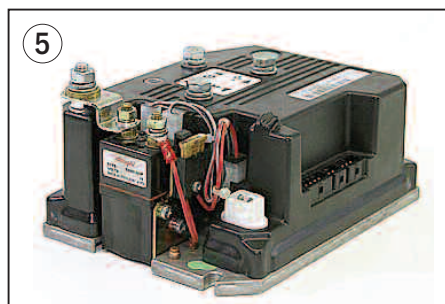
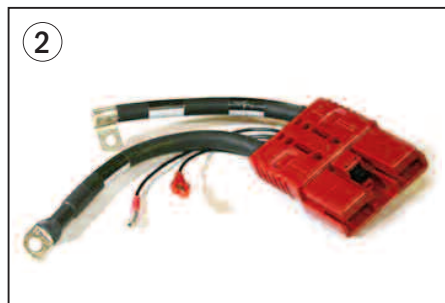
**Electrical - Battery**



**Electrical - Battery**

Item	Part No.	Date/Serial Range	Description
1	YL 524148828		Battery Tray
2	YL 580029671	Thru 9/2002	Battery Charger, 24V, 120vac, Micro Control
	YL 580034920	10/2002 thru 4/2005	Battery Charger, 24V, 120vac, Micro Control
	YL 580055473	4/2005 thru 11/2007	Battery Charger, 24V, 120vac, Micro Control
	YL 580087314	12/2007 thru B827N37161G	Battery Charger, 24V, 120vac, Micro Control
	YL 582003887	B827N371162G & Later	Battery Charger, 24V, 120vac, Micro Control
3	YL 582031621	B827N5579L & Later	Battery Charger, 24V, 120vac (AMG Battery)
	YL 582031623	B827N5579L & Later	Battery Charger, 24V, 120vac (Flooded Battery)
4	YL 524174528		Battery Cover, W/ Hardware
5	YL 524177764		Utility Cover ( Battery Cover)
6	YL 524149774		Knob
7	YL 580033617		Fuse, 10 Amp
	YL 644090802		Fuse, 10 Amp ( Replaces YL580033617)

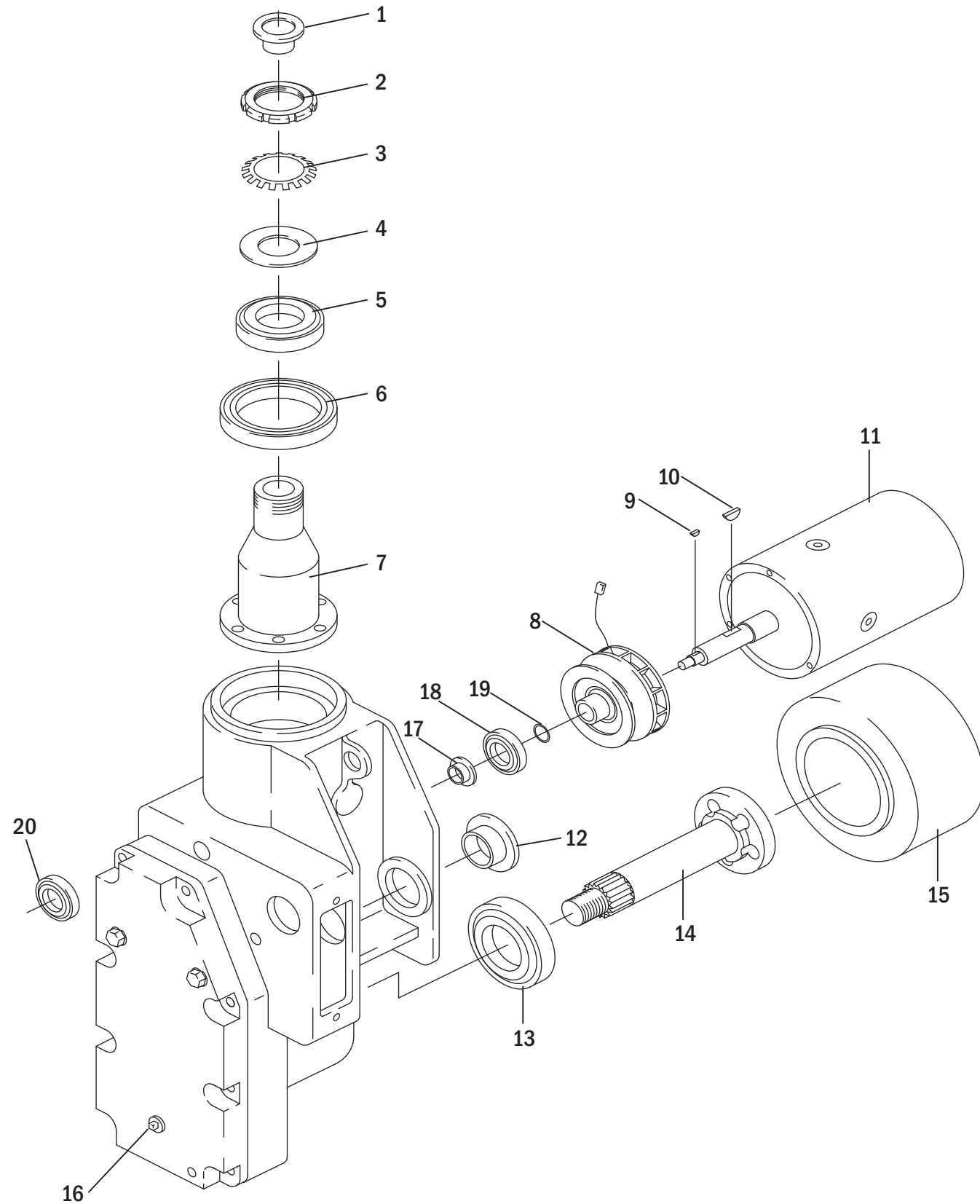
**Electrical - Control Panel**



**Electrical - Control Panel**

Item	Part No.	Date/Serial Range	Description
1	YL 582011365		Battery Cable & Red Connector (To Batteries)
2	YL 524148473		Battery Connector, Red W/ Cable (To Panel)
3	YL 750550314		SBX 175 Amp Connector, Red
4	AN 6384G1		SBX Contacts, 175 Amp (Set of Two)
5	YL 550029273-R	B827	Controller, 24 Volt, Remanufactured
	YL 550029273-C	B827	Core Deposit
	YL 524149129-R	B802	Controller, 24 Volt, Remanufactured
	YL 524149129-C	B802	Core Deposit
6	YL 500863104		Ignition Switch W/ (2) Keys
7	YL 500863106		Keys, Set of (2)
8	YL 580026708		Battery Discharge Indicator W/ Wire Harness
9	YL 524163968		Fuse, 175 Amp
10	YL 505972528		Fuse, 5 Amp
11	YL 524143269		Horn, Safe-T-Alert, 2000 Series, 12-24V, 102 DB
12	YL 524149908		Main Wiring Harness, 24 Volt
13	YL 752830300		Ground Static Strap
14	YL 524166069	B827	Contactor, 24 Volt
	YL 524149515	B802	Contactor, 24 Volt

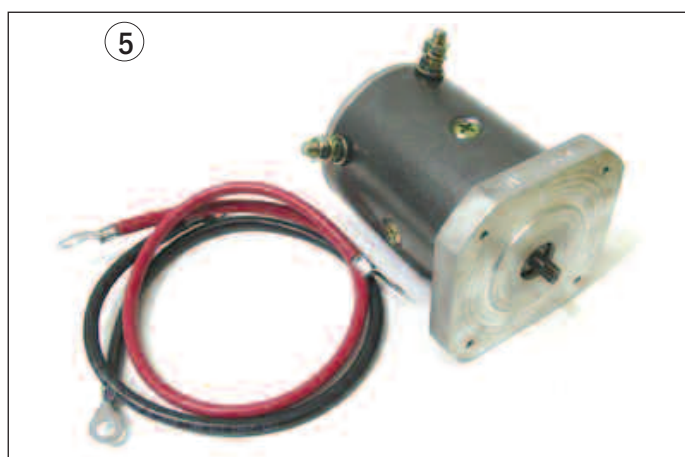
**Drive Unit and Brake Assembly**



**Drive Unit and Brake Assembly**

Item	Part No.	Description
1	YL 520012800	Sleeve
2	YL 940800905	Nut
3	YL 940801905	Lockwasher
4	YL 524149333	Seal
5	YL 580032520	Bearing Set
6	YL 580032519	Bearing Set
7	YL 524149332	Spindle
8	YL 524148583	Brake Assembly
9	YL 502389911	Woodruff Key
10	YL 524158214	Key
11		See Motor Section Page 12
12	YL 272015100	Bushing
13	YL 055076400	Bearing Cup
	YL 060235200	Bearing Cone
14	YL 506566500	Drive Axle
15		See Quick Wheel Lookup Section Page 4
16	YL 524158215	Drain Plug
17	YL 524179810	Spacer ( Oil Flinger)
18	YL 015130200	Bearing
19	YL 580039449	O-Ring
20	YL 524179811	Bearing

**Motors**



**Motors**

Item	Part No.	Date/Serial Range	Description
1	YL 580031000-AM		Traction Motor, 24 Volt, After-Market
2	YL 580029149-AM		Traction Motor Brush & Spring Set, After-Market Motor
3	YL 580029149		Traction Motor Brush & Spring Set, OEM Motor
4	YL 524144502 YL 524144503		Motor Cover, Left Hand Side Motor Cover, Right Hand Side
5	YL 580012669-AM	B827	Pump Motor, 24 Volt, After-Market Replacement
	YL 580028970-AM	B802	Pump Motor, 24 Volt, After-Market Replacement

**Tiller Arm**

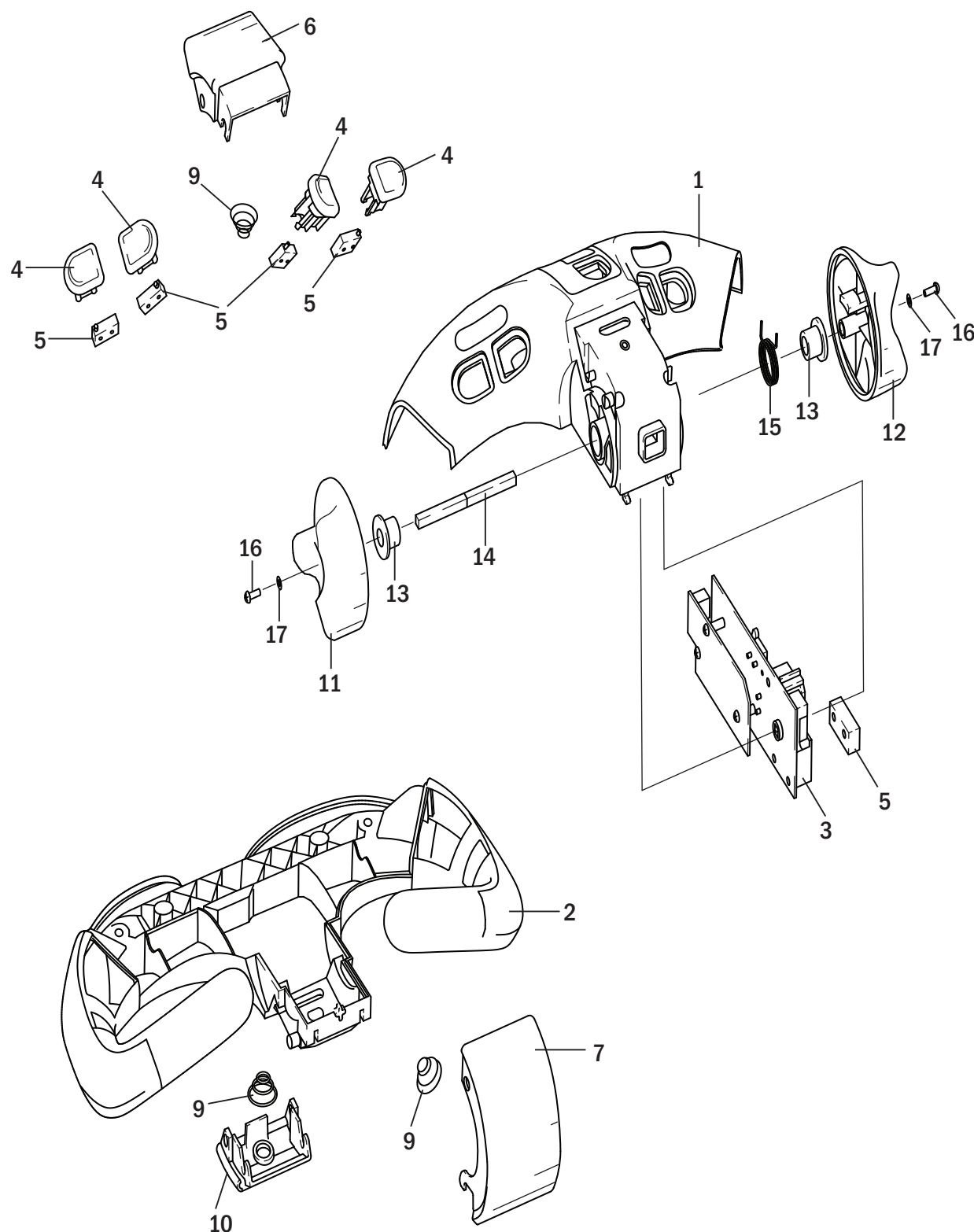


**Tiller Arm**

Item	Part No.	Date/Serial Range	Description	
1	YL 524143951	Up to S/N B27N37823G	Tiller Handle Arm	
	YL 582003278	Begin S/N B827N37823G	Tiller Handle Arm	
2	YL 524149338	Thru S/N B802N01772A	Gas Spring, MPW 045E	
		Thru S/N B827N06134A	Gas Spring, MPB 040E	
		Thru S/N B827N05727A	Gas Spring, MPB 040E, Cold Storage	
		YL 524182269	S/N B802N01773A	Gas Spring W/ Wiper, MPW 045E
		- S/N B802N02096B		
		S/N B827N06135A	Gas Spring W/ Wiper, MPB 040E	
		- S/N B827N11673B		
		S/N B827N05728A	Gas Spring W/ Wiper, MPB 040E, Cold Storage	
		- S/N B827N11673B		
		YL 580046812	S/N B802N02097B & Later	Gas Spring, MPW 045E
3	YL 580031999	Up to S/N B27N37823G	Pin	
		YL 580063963	Begin S/N B827N37823G	Pin
4	YL 580013974	Thru 8/2005	Proximity Sensor	
		YL 524228854	Beginning 9/2005	Proximity Sensor
5	YL 580046976		Wire Harness, Tiller Handle	
6	YL 524179191		Pin, Tiller Pivot ( 2 Required)	
7	YL 272006400		Washer ( 2 Required)	
8	YL 524149326		Bumper ( 2 Required)	
9	YL 520053859	Thru S/N B827N37822G	Screw	
		YL 449007001	Begin S/N B827N37823G	Screw
10	YL 449022018		Lock Washer	
11	YL 580002500	Thru S/N B802N02247B	Clamp, MPW 045E	
		YL 580021175	Begin S/N B802N02248B	Clamp, MPW 045E
		YL 580002500	Thru S/N B827N14264B	Clamp, MPB040E
		YL 580021175	Begin S/N B827N14265B	Clamp, MPB040E
12	YL 900014292	Units Built Before 2005	Cap screw	
		YL 580030967	Units Built 2006 & Later	Bolt
		YL 582015520	Units Built 2006 & Later	Nut
13	YL 449021001		Lock Washer	
14	YL 449022016		Washer	
		YL 272106000	Screw	
		YL 580032000	Plug (Not Shown)	



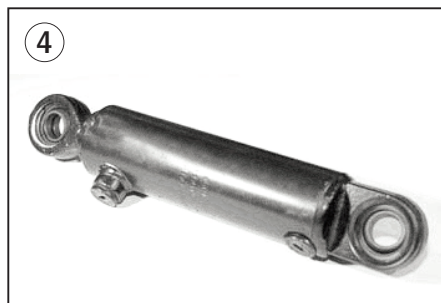
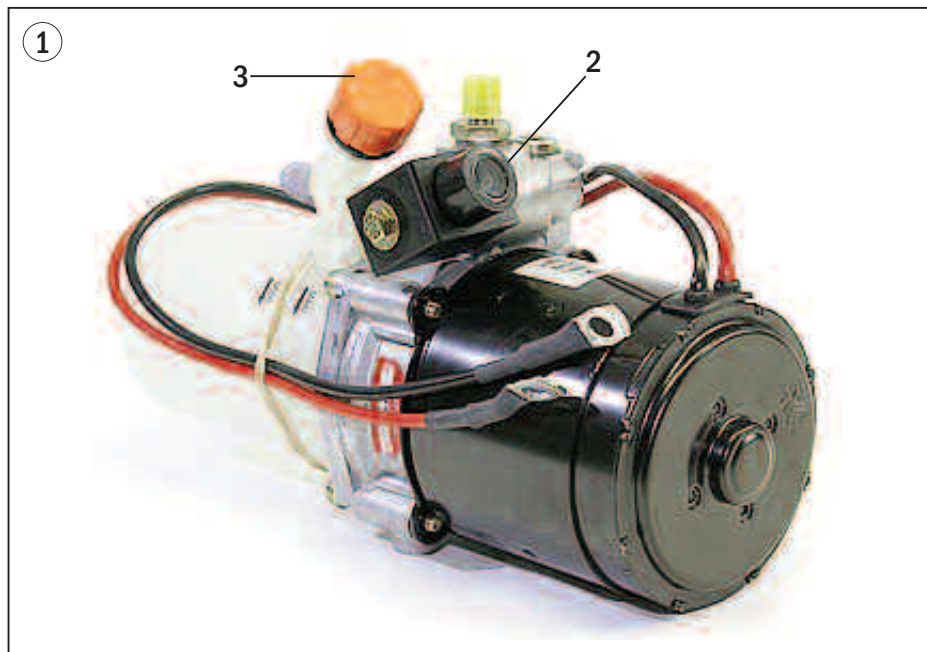
### Control Handle Head



### Control Handle Head

Item	Part No.	Date/Serial Range	Description
1	YL 524139006		Control Handle, Upper
2	YL 580011989	Thru 11/2003	Control Head, Lower
	YL 524182434	12/2003 thru 4/2009	Control Head, Lower
	YL 524338448	Begin 5/2009	Control Head, Lower
3	YL 550010160		Handle Upgrade Kit, Metal Grip
4	YL 580025595-R	Thru 11/2003	Interface Board, Renewed
	YL 580025595-C		Core Deposit
	YL 524277849-R	12/2003 thru 4/2009	Interface Board, Renewed
	YL 524277849-C		Core Deposit
5	YL 582006562-R	Begin 5/2009	Interface Board, Renewed
	YL 582006562-C		Core Deposit
6	YL 524148521		Switch Assembly, (2) Wire, RH & LH
7	YL 580026824		Microswitch, ON/Off Switch W/ Molex Conector
8	YL 524139009	Thru 3/2009	Horn Cover
	YL 582003460	Begin 4/2009	Horn Cover
9	YL 580011991		Cover, Belly Switch
10	YL 580013128	Thru 6/2005	Cover, Turtle Option
	YL 524139010	Begin 7/2005	Cover, Turtle Option
11	YL 580012969		Spring, (Belly/Horn/Turtle)
12	YL 524139007		Buttlerfly Switch, Left Hand
13	YL 524139008		Buttlerfly Switch, Right Hand
14	YL 580012962		Bushing, Buttlerfly Switch
15	YL 580012970		Spring, Throttle
16	YL 580013106		Camshaft, Directional Control
17	YL 580026296		Cap Screw
18	YL 940004902		Washer

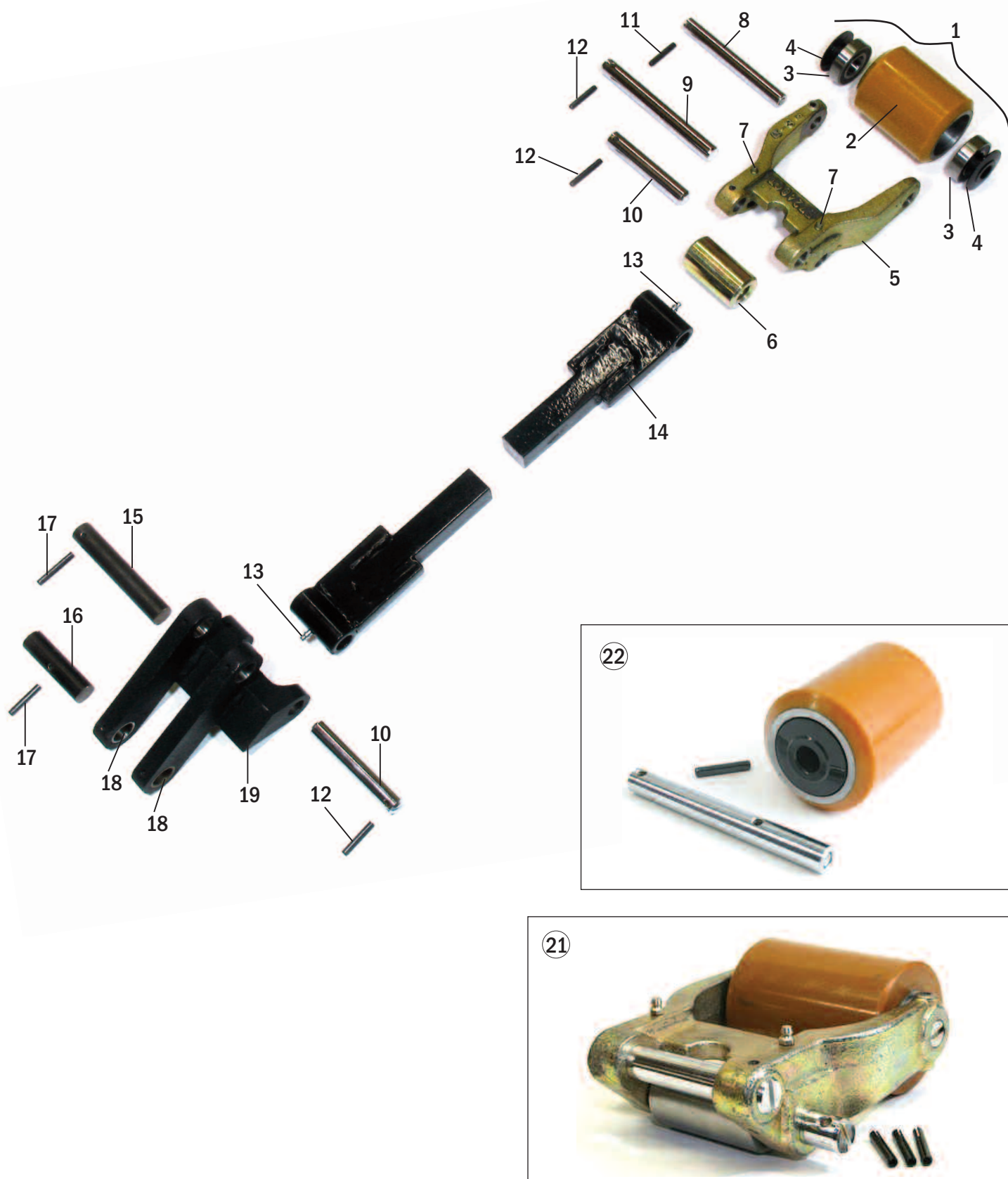
**Hydraulics**



**Hydraulics**

Item	Part No.	Date/Serial Range	Description
1	YL 580025912	Series B827	Hydraulic Power Unit
	YL 580026027	Series B802	Hydraulic Power Unit
			Hydraulic Motor See Motor Section Page 12
2	YL 580012673	B827 & B802	Solenoid Valve
3	YL 580015604		Breather
4	YL 524149215		Lift Cylinder
5	YL 524151086		Seal Kit, Lift Cylinder
6	YL 501710910		Hose
7	YL 500421901		Fitting, Hose to Pump Body
8	YL 524149331		Fitting, Hose to Cylinder
9	YL 310913284		Tube (Not Shown)
10	YL 504114800		Fitting, Tube to Cylinder

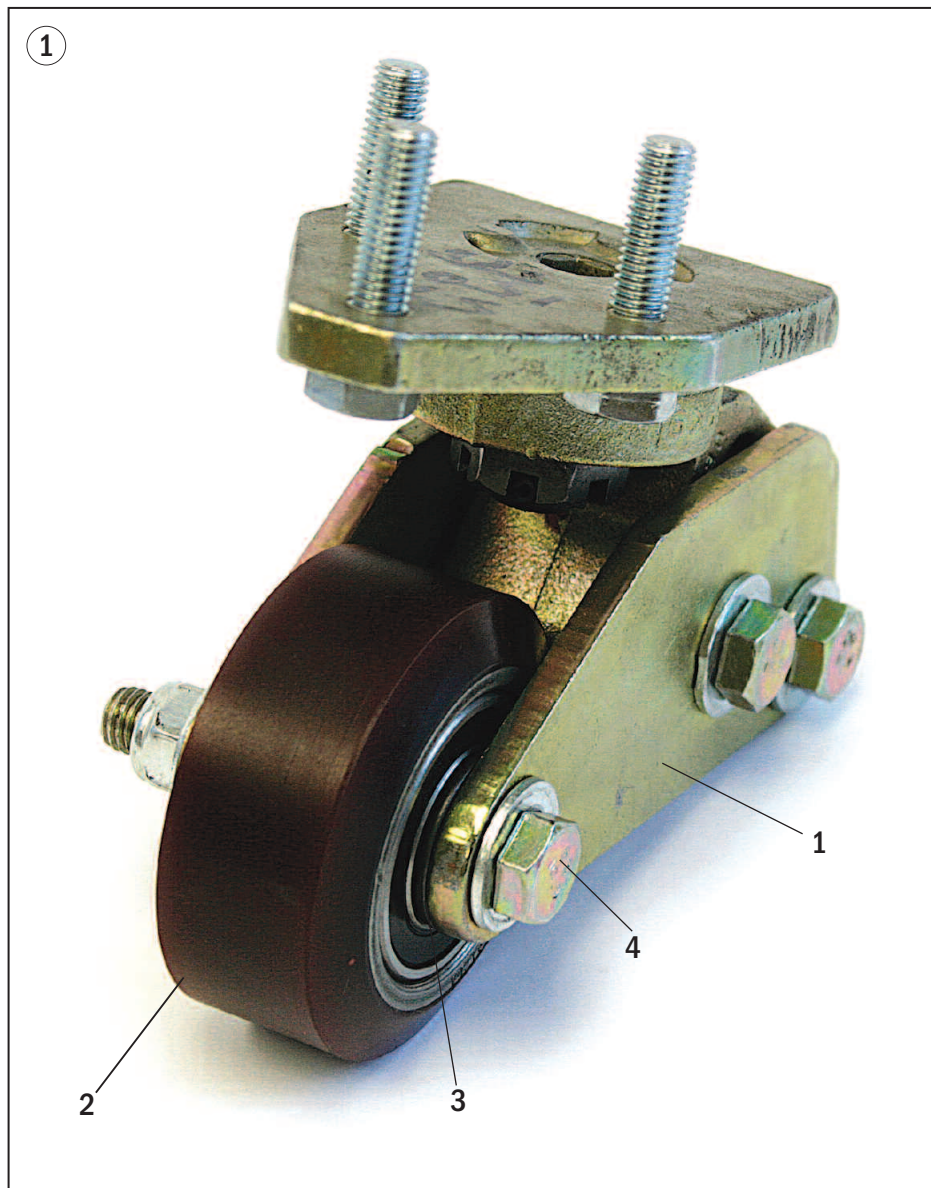
**Load Wheel & Lift Linkage**



**Load Wheel & Lift Linkage**

Item	Part No.	Date/Serial Range	Description
1	YL 524250486	Thru 11/2005	Load Wheel Assy, W/ Shielded Bearings & String Guards, 95-A
	YL 524250482	Begin 12/2005	Load Wheel Assy, W/Sealed Bearings & String Guards, 95-A
	YL 582010234	Begin 12/2005	Load Wheel Assy, W/ SS Bearings & String Guards, 95-A
	YL 524250486-XL	Thru 11/2005	Load Wheel Assy, W/ Shielded Bearings & String Guards, 97-A
	YL 524250482-XL	Begin 12/2005	Load Wheel Assy, W/Sealed Bearings & String Guards, 95-A
	YL 582010234-XL	Begin 12/2005	Load Wheel Assy, W/ SS Bearings & String Guards, 97-A
2	YL 524148750		Poly Load Wheel, 95-A
	YL 524148750-XL		Poly Load Wheel, 97-A
3	YL 524148751		Wheel Bearing
4	YL 524148752		Bushing
5	YL 524148749	Units Built Before 2005	Riser Bracket
	YL 524250478	Units Built After 2005	Riser Bracket
6	YL 751791300		Steel Exit Roller
7	YL 524148462		Lube Fitting
8	YL 524148753		Load Wheel Axle, Freezer/Corrosion Resistant
9	YL 585096306		Pivot Pin, Freezer/Corrosion Resistant
10	YL 585096307		Pivot Pin, Freezer/Corrosion Resistant
11	YL 524148755		Spiral Pin
12	YL 585096802		Spiral Pin
13	YL 953700901		Lube Fitting
14	YL 585094505		Push Rod, 48" Fork Length
15	YL 585096303		Pivot Pin, Freezer/Corrosion Resistant
16	YL 585096302		Pivot Pin, Freezer/Corrosion Resistant
17	YL 585096801		Spiral Pin
18	YL 640434100		Bushing
19	YL 524144864		Lower Rear Link, Right Hand Side
20	YL 524144865		Lower Rear Link, Left Side
21	YL 524143966		Complete Riser Assy w/ Load Wheel Assy, 95-A
	YL 524143966-XL		Complete Riser Assy w/ Load Wheel Assy, 97-A
22	YL 150118854		Poly Load Wheel & Axle Assy, 95-A
	YL 150118854-XL		Poly Load Wheel & Axle Assy, 97-A

**Caster Assembly - Skid Bar**



**Caster Assembly - Skid Bar**

Item	Part No.	Date/Serial Range	Description
1	YL 580023164		Caster Assembly, After-Market Replacement
2	YL 524149213		Caster Wheel Assembly, 95-A, Incl Bearings
	YL 524149213-XL		Caster Wheel Assembly, 97-A, Incl Bearings
3	YL 524149643		Bushing
4	YL 524149495		Axle, Bolt & Nut
5	YL 524149414	S/N B827N09868 & Later	Stabilizer
	YL 524205967	S/N B827N09869A & Later	Stabilizer
6	YL 449001015		Capscrew
7	YL 449022013		Lockwasher
8	YL 524207577		Plate (Not Shown)

***Fast Lift Parts***