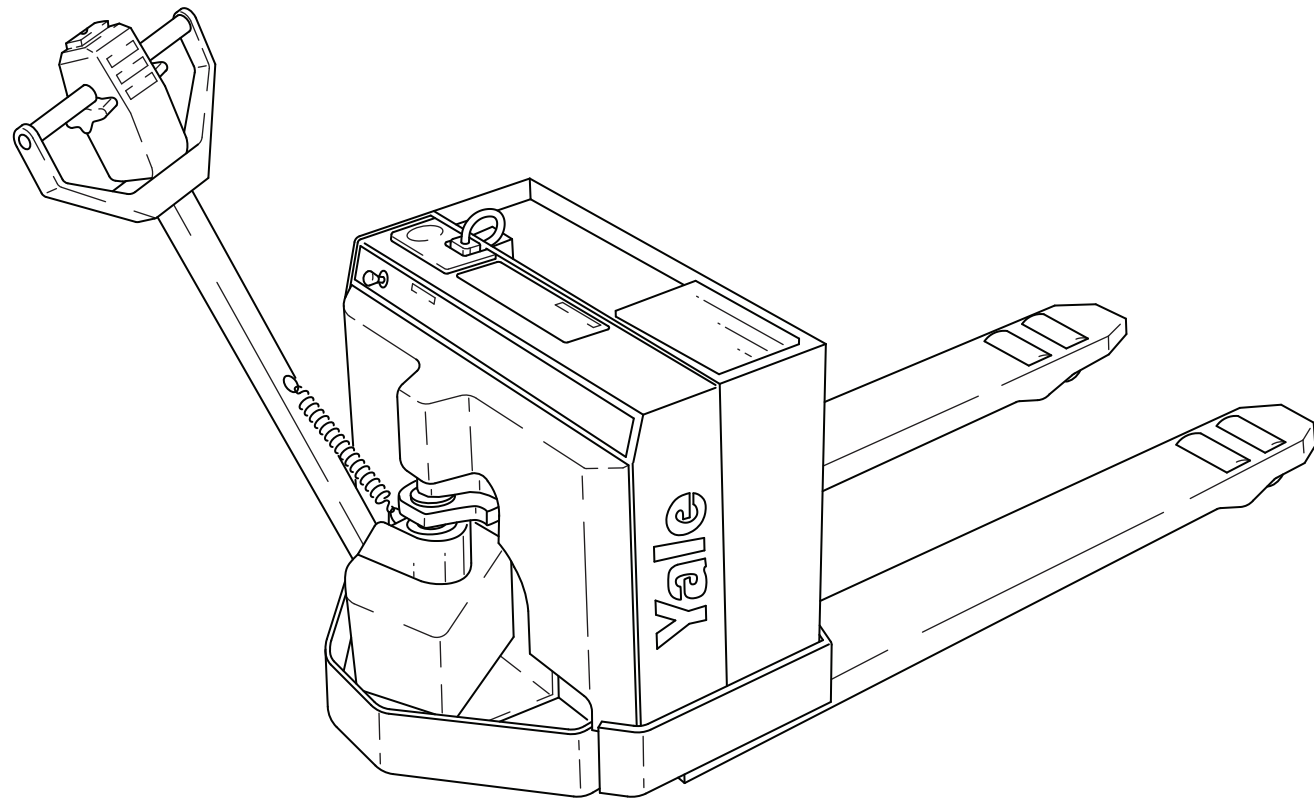
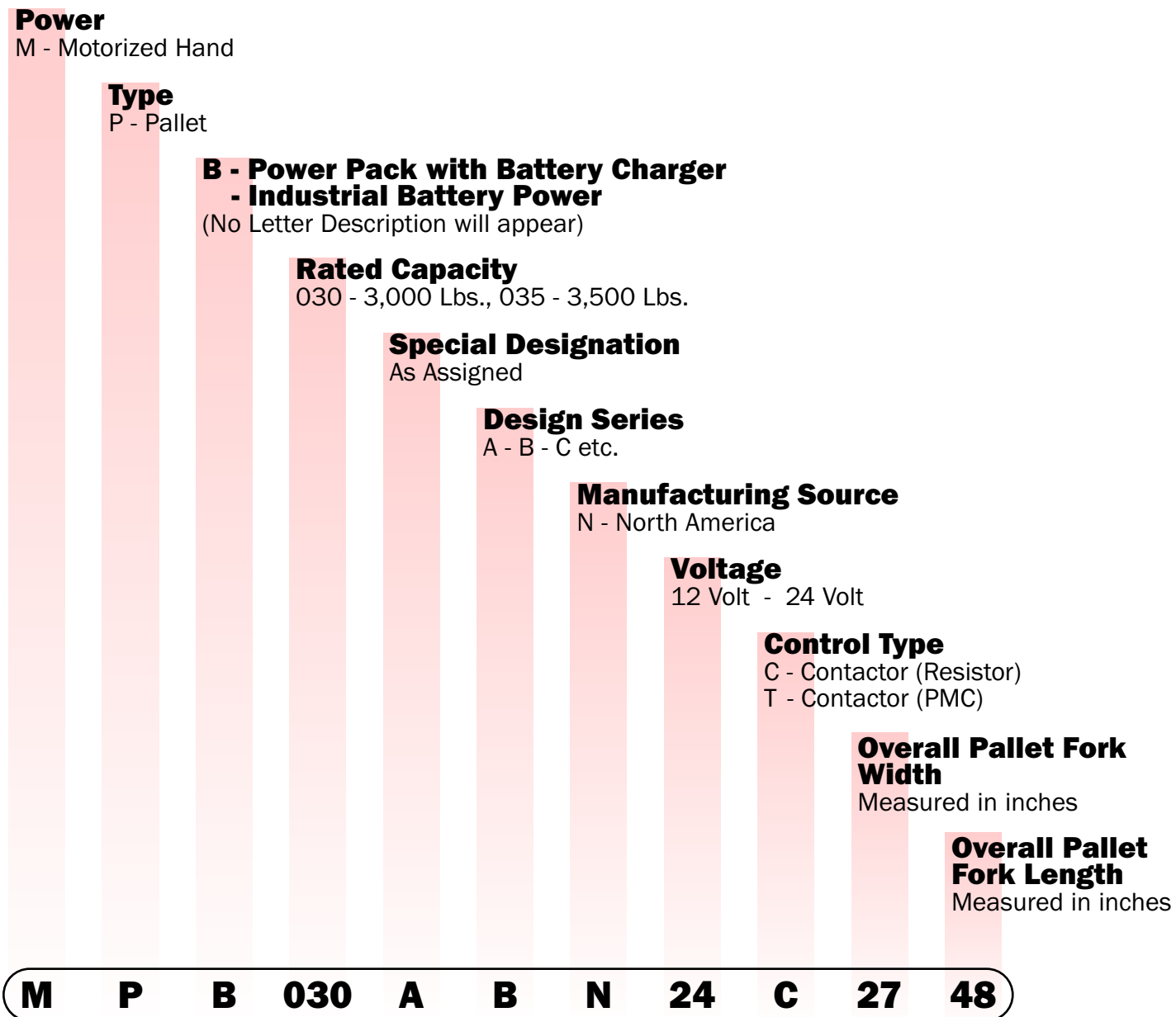


Replacement Parts for Yale MP/MPB 040 AC



Model Nomenclature



Battery ~~Constant~~ Charger

<u>Quick Wheel Lookup</u>	4
<u>Electrical/Battery</u>	6
<u>Control Panel - Resistor</u>	8
<u>Control Panel - PMC</u>	10
<u>Drive Unit and Brake Assembly</u>	12
<u>Motors</u>	14
<u>Steer Arm & Handle Assembly - PMC</u>	16
<u>Hydraulic</u>	18
<u>Frame & Undercarriage</u>	20

This booklet is not intended to replace the original manufacturer's Parts and Service Manual. Please follow Safety Procedures outlined in the manufacturer's publication.

Quick Wheel Lookup

Quick Wheel Lookup

OEM #	Wheel Type	Description	Wheel OD in/mm	Tread Width in/mm	Hub Width in/mm	Hub ID in/mm	Bearing OD in/mm	Bearing #	Material/ Color
YL 065269600	Load Wheel	Poly Load Wheel-Single	3.250/83	4.500/114	4.500/114		1.574/40	6203z	Scotch, 95-A
YL 065269600-A	Load Wheel Assembly	Includes Bearings and Washers		4.500/114	4.500/114		1.574/40	6203z	Scotch, 95-A
YL 643182400-A	Riser Assembly	Includes Load Wheel, Axles, Pin and Link							
GWK-MPB040AC-LW	Load Wheel Kit, 95-A	Includes (2) Load Wheels w/ Bearings, Axles & Fasteners		4.500/114	4.500/114		1.574/40	6203z	Scotch, 95-A
YL 501776904	Drive Tire	Poly Drive Tire-Smooth Flat	9.00/229	5.00/127		5.00/127			
YL 501776904-A	Drive Tire Assembly	Poly Drive Tire-Smooth Flat, Includes Hub	9.00/229	5.00/127		5.00/127			
YL 501776904-XG	Drive Tire	Poly Drive Tire X Groove	9.00/229	5.00/127		5.00/127			
YL 501776904-XG-A	Drive Tire Assembly	Poly Drive Tire X Groove, Includes Hub	9.00/229	5.00/127		5.00/127			
YL 517580811	Drive Tire	Rubber Drive Tire- Smooth Flat	9.00/229	5.00/127		5.00/127		Black	
YL 517580811-A	Drive Tire Assembly	Rubber Drive Tire- Smooth Flat, Includes Hub	9.00/229	5.00/127		5.00/127		Black	
YL 517580811-XG	Drive Tire	Rubber Drive Tire X Groove	9.00/229	5.00/127		5.00/127		Black	
YL 517580811-XG-A	Drive Tire Assembly	Rubber Drive Tire X Groove, Includes Hub	9.00/229	5.00/127		5.00/127		Black	
YL 501087300	Hub	Drive Wheel Hub							

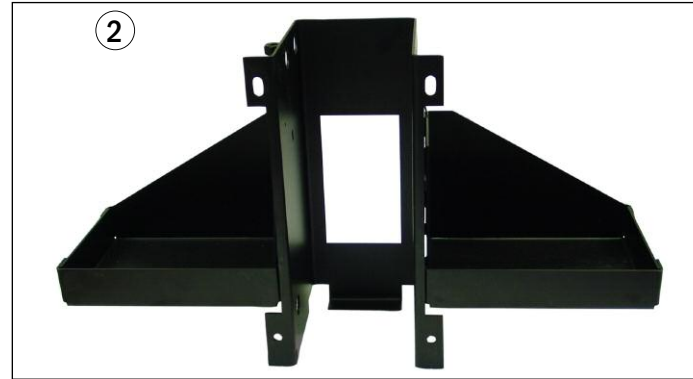
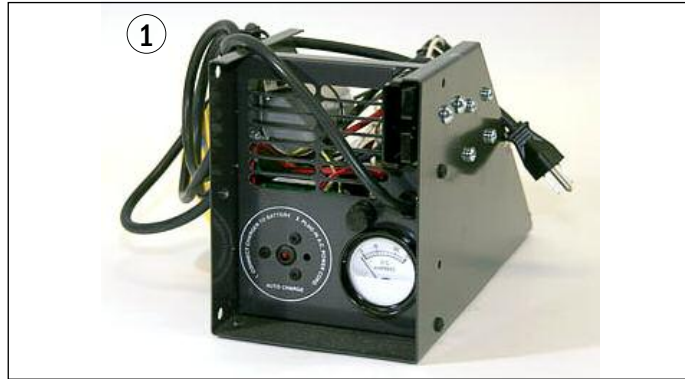
GWK-MPB040AC-LW
Load Wheel Assembly Kit, 95-A



YL 643182400-A
Riser Assembly w/ Load Wheels, Axles, Pin and Link



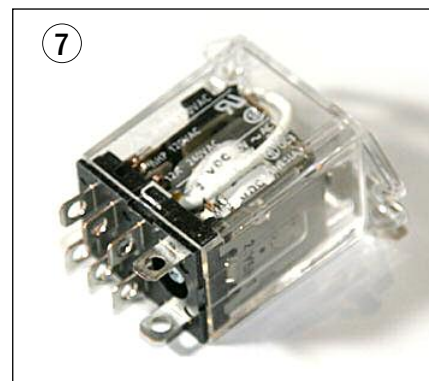
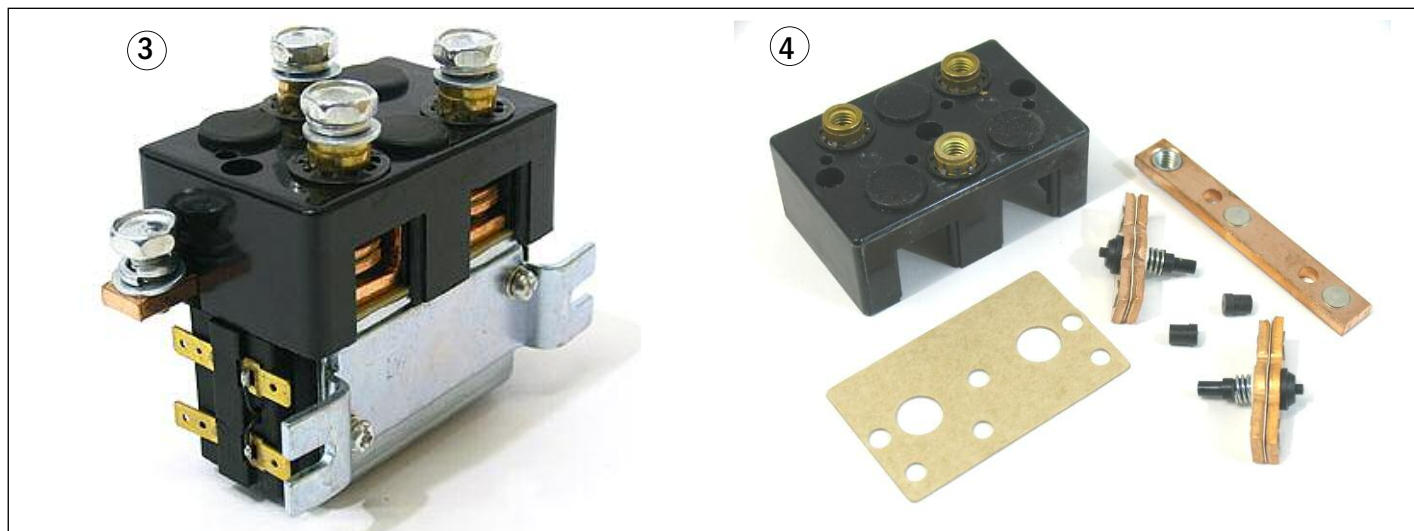
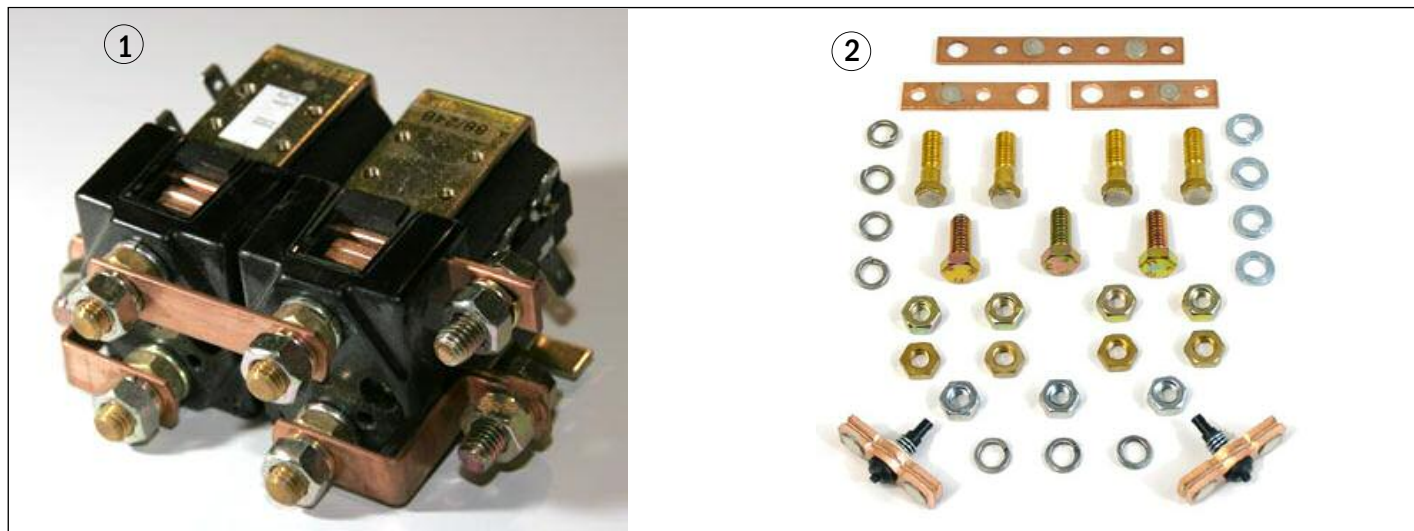
Electrical/Battery



Electrical/Battery

Item	Part No.	Description
1	YL 518128601	Battery charger, 24V to S/N A827N-18153
	YL 580010328	Battery charger, 24V S/N A827N-18154 & later
2	YL 518739600	Pivoting battery tray
3	YL 723291300	Gray connector, 175A w/contacts
4	YL 516490806	Contacts, set of (2), 175A
5	YL 503954200	Battery disconnect handle, w/screws and nuts
6	YL 524135014	Hour meter
7	YL 751032302	Battery discharge indicator
8	YL 752626302	Unigauge, both BDI and Hour meter
9	YL 500863104	Ignition switch, w/2 keys
10	YL 500863106	Keys (2)
11	YL 751682402	Horn
12	YL 721528104	Battery cover knob
13	YL 503918700	Wiring harness, drive unit to control handle

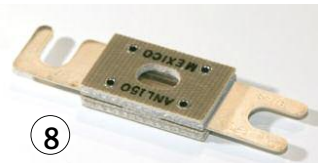
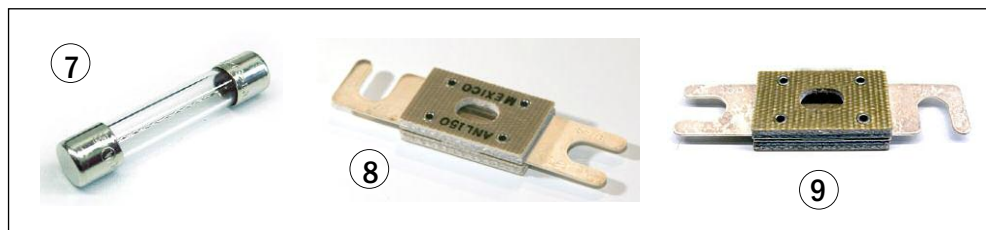
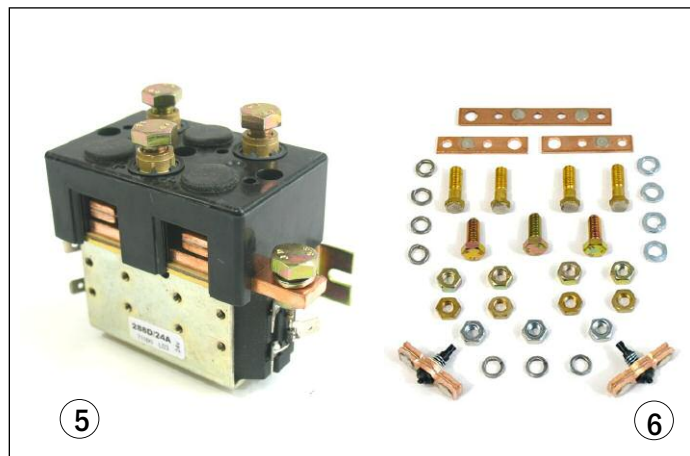
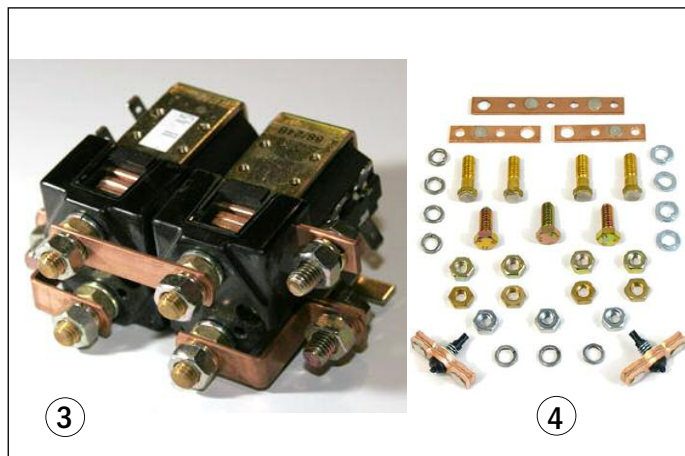
Control Panel - Resistor



Control Panel - Resistor

Item	Part No.	Description	Application
1	YL 505175504	Contactora, F/R	to S/N A827N13548U
2	YL 150091008	Contactora service kit (YL 505175504)	
3	YL 519832602	Contactora, F/R	from S/N A827N13549U
4	ALDC88-SKR	Contactora service kit (YL 519832602)	
5	YL 512720800	Fuse, 10A	
6	YL 518655600	Resistor	
7	YL 505473501	Relay	

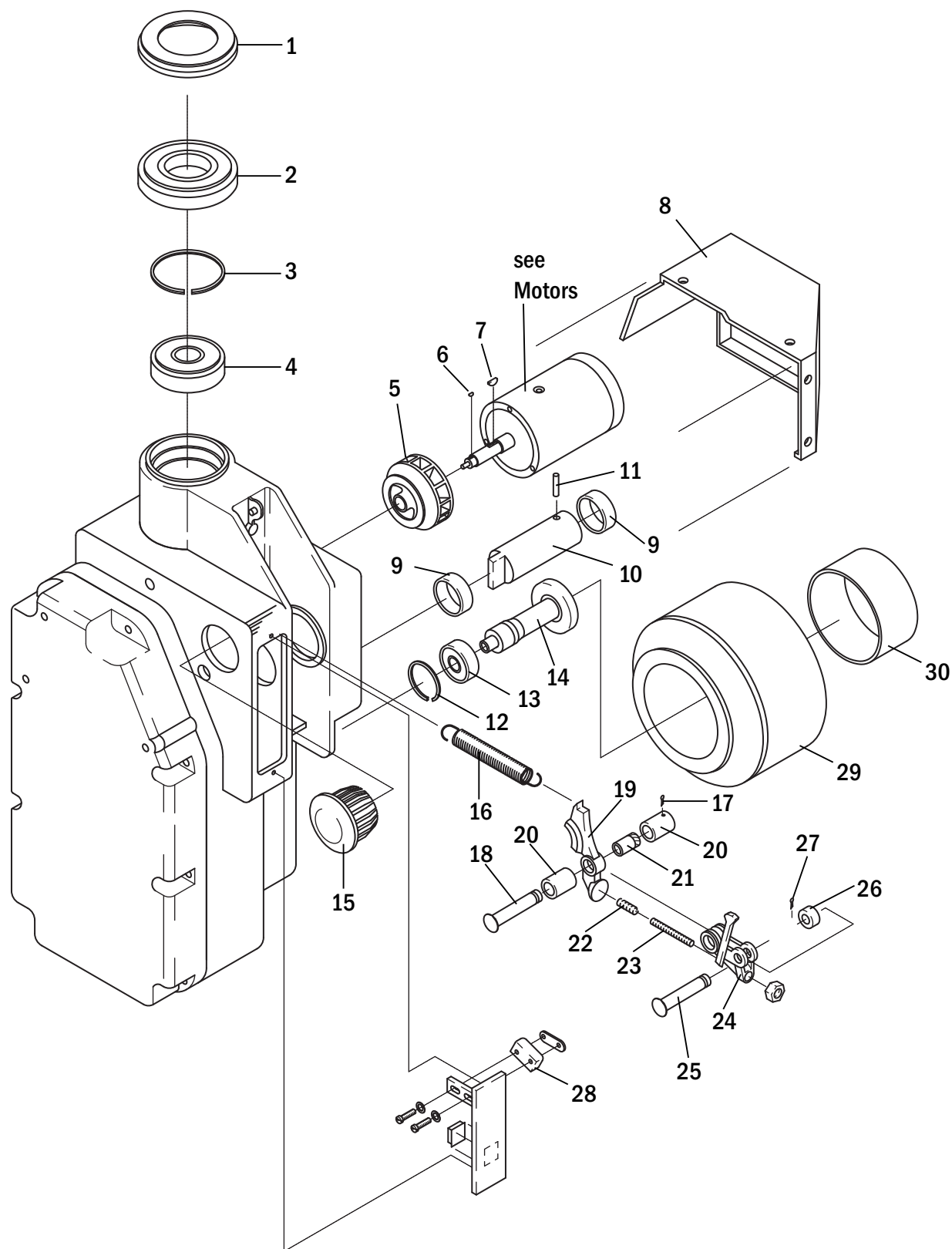
Control Panel - PMC



Control Panel - PMC

Item	Part No.	Description	Application
1	YL 518361601-R YL 518361601-C	PMC motor controller, 24V Core deposit	Re-manufactured to S/N A827N-14629U
2	YL 505170700-R YL 505170700-C	Controller, 24V Core Deposit	S/N A827N-14630 & later
3	YL 505175502	Contacteur, F/R	to S/N A827N-14629U
4	YL 150091008	Contacteur service kit (YL505175502)	
5	YL 519832607	Contacteur, F/R	from S/N A827N-14630U
6	YL 150091008	Contacteur service kit (YL 505175502 & YL 519832607)	
7	YL 500903103	Fuse, 15A	
8	YL 504450730	Fuse, 150A	
9	YL 504450749	Fuse, 200A	
10	YL 504314200	Bus bar (Not shown)	
11	YL 520077800	Bus bar (Not shown)	
12	YL 504313200	Bus bar (Not shown)	
13	YL 524135306	Bus bar (Not shown)	
14	YL 524135305	Bus bar (Not shown)	
15	YL 524135307	Bus bar (Not shown)	

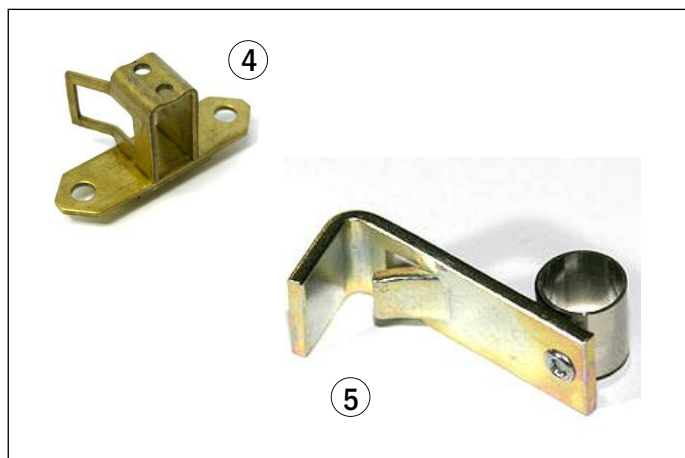
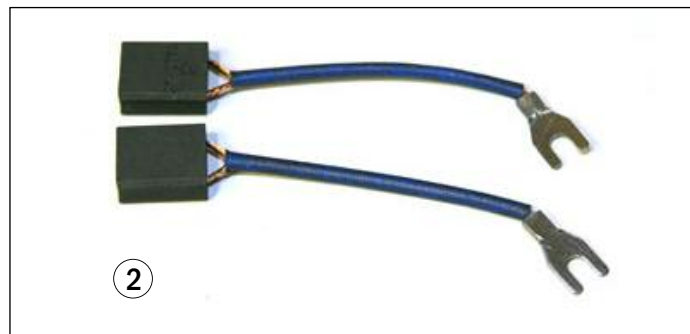
Drive Unit and Brake Assembly



Drive Unit and Brake Assembly

Item	Part No.	Description	Application
1	YL 502225100	Bearing cover	
2	YL 054590500	Bearing cup	
	YL 065124700	Bearing cone	
3	YL 640046921	Snap ring	
4	YL 500210904	Bearing cup	
	YL 500209906	Bearing cone	
5	YL 501092300	Brake drum	
6	YL 502389911	Woodruff key	
7	YL 016247100	Woodruff key	
8	YL 580017142	Drive motor cover	
9	YL 500046908	Bushing	
10	YL 505984500	Shaft	
11	YL 500067903	Roll pin	
12	YL 640046911	Snap ring	
13	YL 055076400	Bearing cup	
	YL 060235200	Bearing cone	
14	YL 506566500	Drive axle	
15	YL 501864902	Plug	
16	YL 502203100	Brake spring	
17	YL 015416100	Cotter pin	
18	YL 585004001	Pin	
19	YL 501094300	Brake shoe	
20	YL 502234100	Bushing	
21	YL 723673100	Pin	
22	YL 502315100	Spring	
23	YL 311104176	Screw	
24	YL 505354500	Brake cam lever	
25	YL 520082839	Pin	
26	YL 585038600	Roller bearing	
27	YL 015414700	Cotter pin	
28	YL 503781200	Switch	
	YL 580004705	Switch S/N A827H-32911 & later	
29	YL 501776904	Poly Drive Tire (Please see Quick Wheel Lookup page 4)	
	YL 517580811	Rubber Drive Tire (Please see Quick Wheel Lookup page 4)	
30	YL 501087300	Drive Tire Hub	

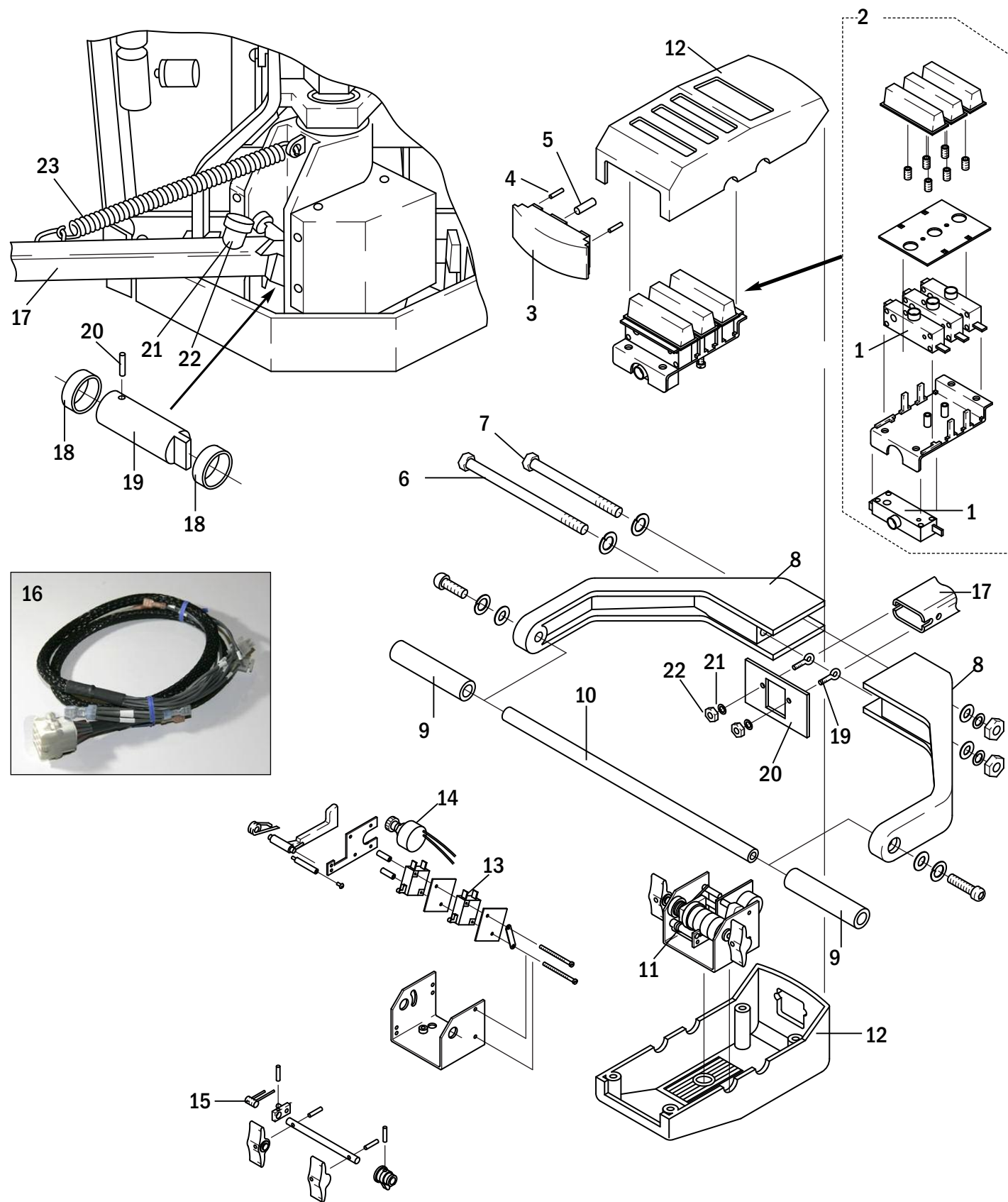
Motors



Motors

Item	Part No.	Description	Application
1	YL 730024021-AM	Drive motor, After-Market Replacement	
2	YL 519466009	Brush set (2 per bag), Original drive motor	
3	YL 519466009-AM	Brush set, 4 per bag, After-market drive motor	
4	YL 730008200	Brush holder, OEM drive motor	
5	YL 519467004	Brush spring, OEM drive motor (Requires 2)	
6	YL 580012669-AM	Hydraulic pump motor, After-market, S/N A827N-25272W & later	

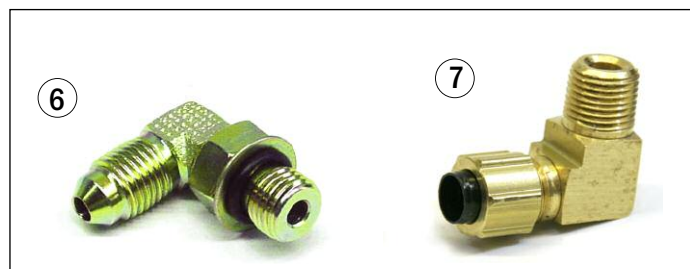
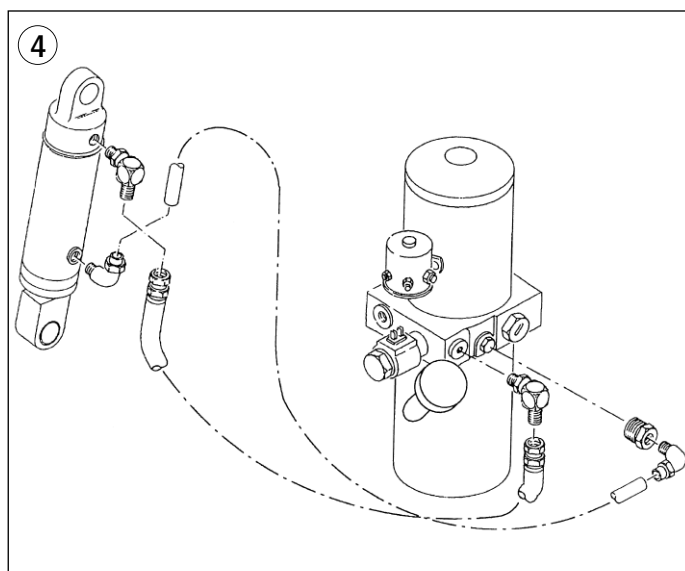
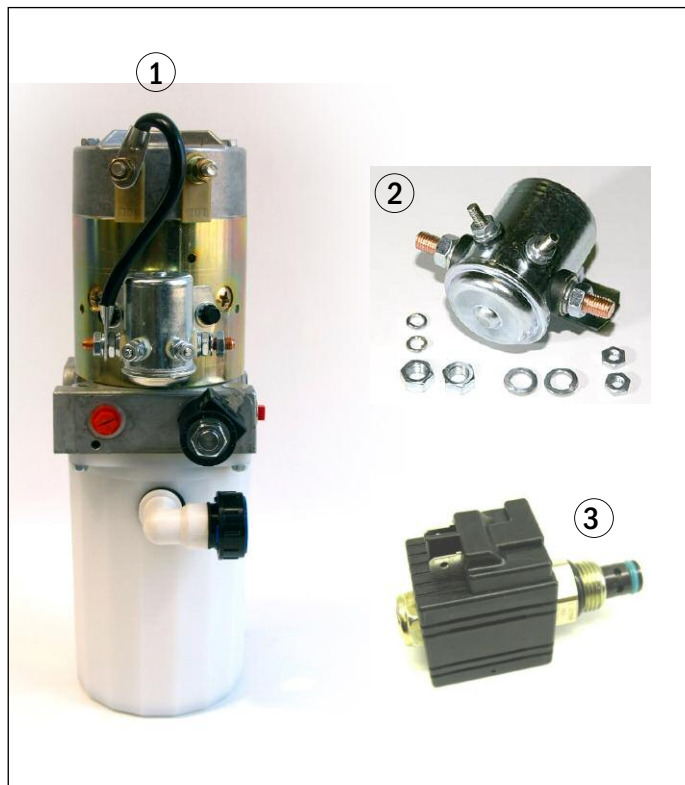
Steer Arm & Handle Assembly - PMC



Steer Arm & Handle Assembly - PMC

Item	Part No.	Description
1	YL 519296800	Switch, Lift, Lower, Horn, Belly
2	YL 505346500	Top cover assembly, Incl. switches
3	YL 505487500	Switch actuator, Auto reverse
4	YL 501067205	Spring, Belly button cover
5	YL 503956200	Rubber stopper
6	YL 500026913	Hex screw, 5/16" x 7 1/2" Lg.
7	YL 500026912	Hex screw, 5/16" x 5 1/4" Lg.
8	YL 504981702	Handle arm (Left or right)
9	YL 519305803	Grip
10	YL 503766200	Shaft
11	YL 507118500	Butterfly switch assembly (after 9/1995)
12	YL 518217600	Handle head set, Upper and lower
13	YL 503781200	Micro switch
14	YL 507078500	Potentiometer - PMC
15	YL 519906800	Torsion spring
16	YL 580002386	Handle wiring harness assembly, Resistor & PMC
17	YL 503771700	Steer arm weldment
18	YL 500046908	Steer arm bushing, Bronze
19	YL 505984500	Steer arm pin, Bronze
20	YL 500067903	Roll pin
21	YL 110609100	Rubber bumper
22	YL 501753901	Screw for rubber bumper
23	YL 501890100	Steer arm return spring

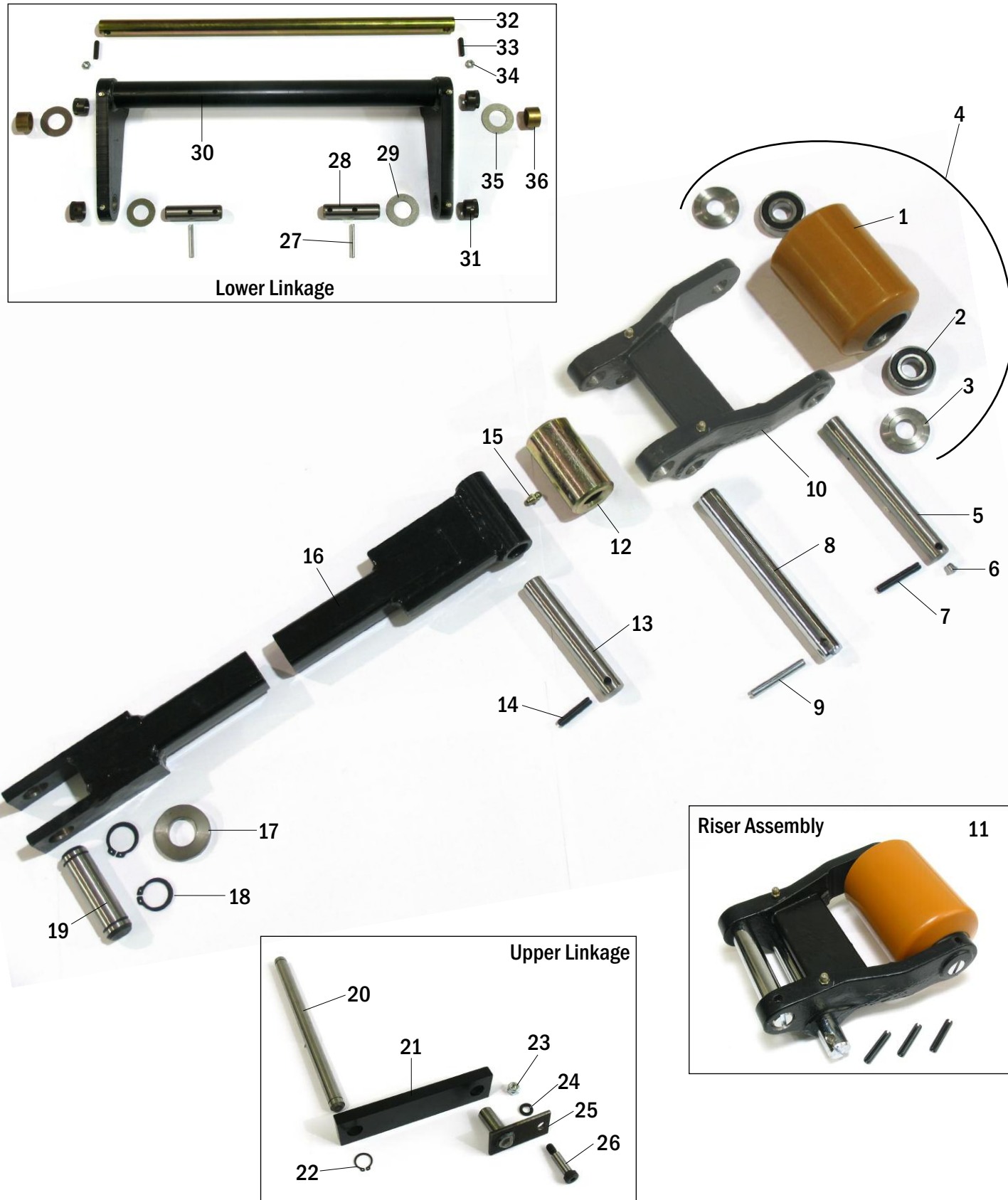
Hydraulic



Hydraulic

Item	Part No.	Description	Application
1	YL 518140601	Hydraulic Unit, Pump & Motor Assembly, up to S/N 530405	
	YL 580011004	Hydraulic Unit, Pump & Motor Assembly, up to S/N A827N-25271W	
	YL 580011558	Hydraulic Unit, Pump & Motor Assembly, S/N A827N-25272W & later	
2	YL 518818835	Lift Solenoid, 24V	
3	YL 517161602	Solenoid Valve, 24V	
4	YL 503856400	Lift Cylinder	
5	YL 505163001	Packing Kit	
6	YL 056363100	Fitting	
7	YL 504114800	Fitting	
8	YL 501710910	Hose	
9	YL 310913284	Tube	

Frame and Undercarriage



Frame and Undercarriage

Item	Part No.	Description	Item	Part No.	Description
1	YL 065269600	Poly Load Wheel, 95A Durometer	12	YL 751791300	Steel Roller Assembly
	YL 065269600-XL	Poly Load Wheel, 97A Durometer	13	YL 064857200	Link Pin
2	YL 064948400	Bearing	14	YL 055929200	Roll Pin
3	YL 065055200	Washer	15	YL 015631500	Lube Fitting
4	YL 065269600-A	Poly Load Wheel Assembly, 95A Durometer, Includes Bearings & Washers	16	YL 502447503	Push Rod, 48" Fork Length
	YL 065269600-XL-A	Poly Load Wheel Assembly, 97A Durometer, Includes Bearings & Washers	17	YL 751776300	Spacer
	GWK-MPB040-LW	Poly Wheel Kit 95A, Includes Bearings, Axles & Washers	18	YL 500227905	Retaining Ring
5	YL 640374100	Load Wheel Axle, Includes Lube Fitting	19	YL 641786101	Pin
6	YL 507167800	Lube Fitting	20	YL 502303101	Pin
7	YL 023025000	Roll Pin	21	YL 500989200	Link
8	YL 504734200	Pivot Pin	22	YL 15918200	Retaining Ring
9	YL 055929200	Roll Pin	23	YL 14936600	Nut
10	YL 643182400	Riser Assembly, Includes Lube Fitting	24	YL 15026200	Lockwasher
11	YL 643182400-A	Complete Riser Assembly, 95A Durometer, Includes Poly Load Wheel, Axles & Roll Pins	25	YL 640697303	Pin & Plate
	YL 643182400-XL-A	Complete Riser Assembly, 97A Durometer, Includes Poly Load Wheel, Axles & Roll Pins	26	YL 62143700	Hex Bolt
			27	YL 023024200	Roll Pin
			28	YL 503688200	Pin
			29	YL 502423914	Shim
			30	YL 518353601	Bellcrank, 27" Wide Frame
			31	YL 640434100	Bushing
			32	YL 518360601	Bellcrank Pin, 27" Wide Frame
			33	YL 014805000	Set screw
			34	YL 014970800	Nut
			35	YL 016117600	Shim
			36	YL 723660100	Bushing





888-999-7715
www.fastliftparts.com

Notes

888-999-7715
www.fastliftparts.com



Notes



888-999-7715
www.fastliftparts.com