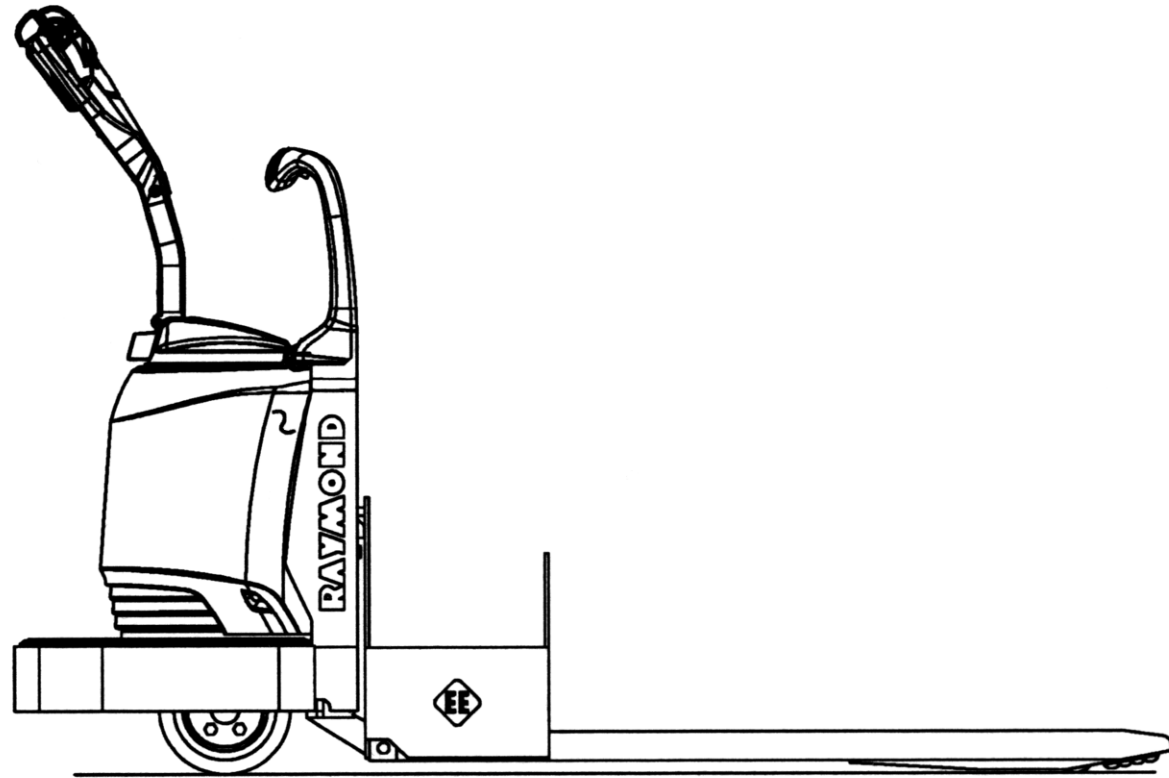


**Replacement Parts  
for  
Raymond 8300, 8400  
and 8500 Series**



***Fast Lift Parts***

## Contents

<b>Quick Wheel Lookup</b>	4
<b>Electrical System Components</b> Battery Connector, Motor Controllers	6
<b>Drive Unit &amp; Drive Motor</b>	8
<b>Control Handle</b> Arm, Throttle Assembly & Grab Rail	10
<b>Hydraulic System</b>	12
<b>Frame and Undercarriage</b>	14
<b>Caster Assemblies</b> Caster with Springs, Caster without Springs	16

### Quick Wheel Lookup

OEM #	Description	Wheel OD in/mm	Tread Width in/mm	Hub Width in/mm	Hub ID in/mm	Bearing ID in/mm	Bearing #	Material/ Color
RA 632-069	Load Wheel	3.25 / 82.5	5.50 / 140	5.93 / 150.5	2.04 / 52	0.98 / 25	6205	Poly 95A
RA 632-069-A	Load Wheel Assembly	3.25 / 82.5	5.50 / 140	5.93 / 150.5	2.04 / 52	0.98 / 25	6205	Poly 95A
RA 632-071	Load Roller Tandem	3.25 / 82.5	3.75 / 95	4.20 / 106	2.04 / 52	0.98 / 25	6205	Poly 95A
RA 632-071-A	Load Roller Assembly Tandem	3.25 / 82.5	3.75 / 95	4.20 / 106	2.04 / 52	0.98 / 25	6205	Poly 95A
RA 632-076	Load Roller Split Tandem	3.25 / 82.5	1.75 / 45	2.00 / 51	2.04 / 52	0.98 / 25	6205	Poly 95A
RA 632-076-A	Load Roller Assembly Split Tandem	3.25 / 82.5	1.75 / 45	2.00 / 51	2.04 / 52	0.98 / 25	6205	Poly 95A
RA 671-041-A	3"X 3.5" Caster Wheel Assembly	3.00 / 76	3.25 / 82.5	3.50 / 89	1.85 / 47	0.75 / 19.05	BS6204 3/4	Poly 95A
RA 632-421-A	4" X 2.5" Caster Wheel Assembly	4.00 / 101	2.25 / 57	2.50 / 64	2.04 / 52	0.98 / 25	6205	Poly 95A
RA 632-091	Drive Tire	10.00 / 254	4.00 / 101	5.00 / 127	6.5 / 165	NA	NA	Poly 95A
RA 632-229	Drive Tire	10.00 / 254	4.00 / 101	5.00 / 127	6.5 / 165	NA	NA	Rubber
RA 850-138-111	Hub	/	/	/	/	/	/	/

### Quick Wheel Lookup

**RA 632-069**  
Load wheel , Poly, 95A



**RA 632-069-A**  
Load wheel Assembly, Poly, 95A



**RA 632-071**  
Load Roller Tandem, Poly, 95A



**RA 671-041-A**  
3"X 3.5" Caster Wheel Assembly,  
Poly, 95A



**RA 632-421-A**  
4" X 2.5" Caster Wheel Assembly,  
Poly, 95A



**RA 632-091**  
Drive Tire, Poly, 95A



**RA 632-071-A**  
Load Roller Assembly Tandem,  
Poly, 95A



**RA 632-076**  
Load Roller Split Tandem, Poly,  
95A



**RA 632-076-A**  
Load Roller Assembly Split  
Tandem, Poly, 95A



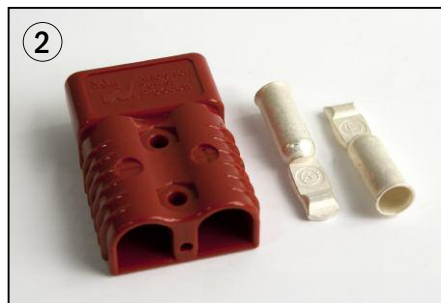
**RA 632-229**  
Drive Tire, Rubber



**RA 850-138-111**



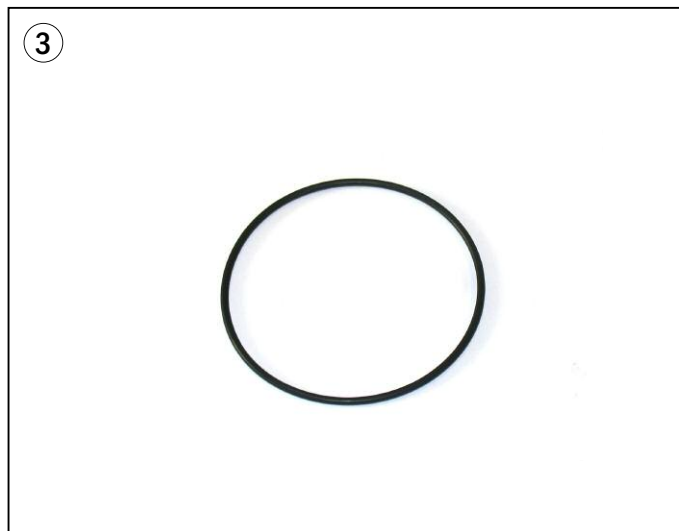
**Electrical - Battery Connector, Motor Controllers**



**Electrical - Battery Connector, Motor Controllers**

Item	Part No.	Description
1	RA 1045867-001	Battery Connector, SB175 Gray
2	RA 1045867-002	Battery Connector, SB175 Red
3	RA 590-514	Fuse, 15amp
4	RA 590-587-118	Fuse, 40amp
5	RA 590-587-109	Fuse, 150amp
6	RA 590-587-113	Fuse, 250amp
7	RA 1042226-001	Motor Controller (New OEM)
8	RA 1-030-007	Terminal Strip
9	RA 1-105-224	Main Contactor
10	RA 1-105-224-07	Contact Kit
11	RA 1-105-224-06	Coil and Frame Assembly
10	RA 1031332	Proximity Switch Assembly
11	RA 1042977	Main Harness
12	RA 590-643-004	Horn, 24 volt
13	RA 1-150-392	Ignition Switch 2-Position
14	RA 1-150-391	Ignition Switch 3-Position

**Drive Unit & Drive Motor**



**Drive Unit & Drive Motor**

Item	Part No.	Description
1	RA 1036966	Drive Motor - New OEM
	RA 1036966-R	Drive Motor - Rebuilt
	RA 1036966-C	Core charge
2	RA 1036966-83	Bearing Encoder Assembly
3	RA 1034060-85	O-Ring
4	RA 1034060-87	Spring Washer
5	RA 1034060-86	Oil Seal
6	RA 1036966-92	Bearing
7	RA 1036966-93	Snap Ring
8	RA 1036966-73	Terminal Board
9	RA 1036966-71	Rotor

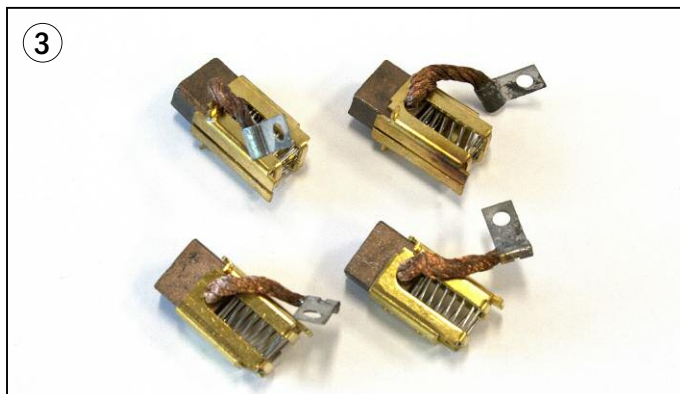
**Control Handle - Arm, Throttle Assembly & Grab Rail**



**Control Handle - Arm, Throttle Assembly & Grab Rail**

Item	Part No.	Description
1	RA 850-138-377	Machined Arm
2	RA 1027275-001	Machined Handle
3	RA 1036737	Control Card Assembly
4	RA 1036736	Control Card Display
5	RA 1050952-001	Throttle Assembly
6	RA 1027267-001	Handle Grip, Red/Orange
7	RA 1050950	Torsion Spring
8	RA 1036829	Horn Switch
9	RA 1040569	Grab Rail Assembly
10	RA 1035902-001	Switch Assembly
11	RA 1040323	Grab Rail Harness
12	RA 1050954-001	Control Head Assembly
13	RA 460-014	Bushing
14	RA 850-137-581	Shaft, Pivot
15	RA 830-249	Spring
16	RA 771-225	Washer
17	RA 850-135-901	Bushing
18	RA 811-120	Roll Pin
19	RA 850-138-996	Pivot Shaft
20	RA 5-002-012	Screw
21	RA 5-002-046	Screw
22	RA 7-448-001-047	Cam
23	RA 1028780	Shaft, Brake Lever
24	RA 850-137-325	Brake Adjustment Rod
25	RA 860-730-007	Joint, Swivel
26	RA 810-744	Roll Pin
27	RA 810-728	Roll Pin
28	RA 811-120	Roll Pin

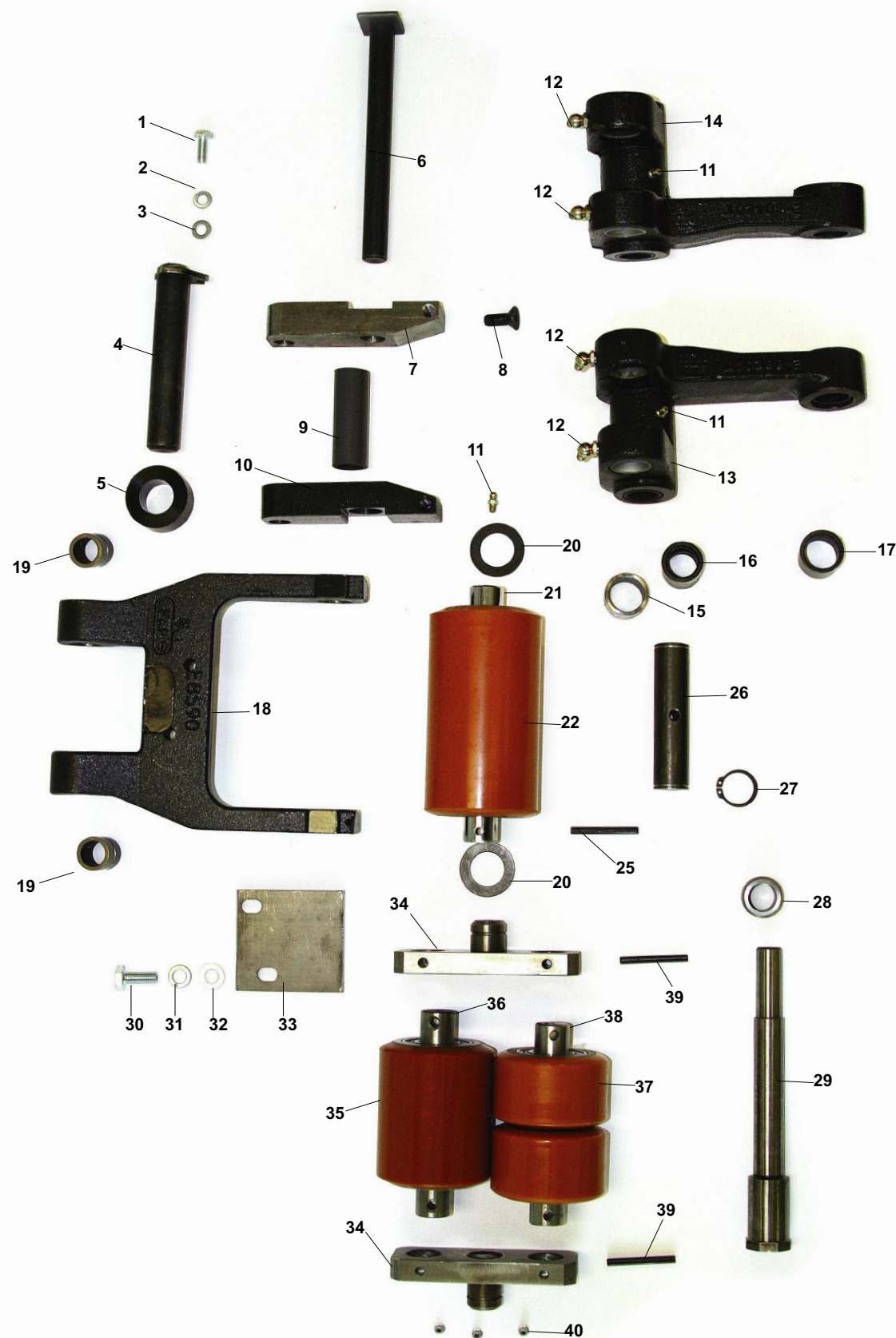
**Hydraulic System**



**Hydraulic System**

Item	Part No.	Description
1	RA 1049306	Lift Pump & Motor Assembly
2	RA 560-213-03	Motor Assembly
3	RA 560-213-07	Brush Kit (Holder and Springs)
4	RA 560-213-06	Starter Solenoid Switch
5	RA 442-205	Bearing
6	RA 442-210	Bearing
7	RA 560-206-131	Lift Pump
8	RA 560-206-123	Flow Valve
9	RA 1015666-400	Lift Cylinder (Ultra Metals)
10	RA 1015666-600	Lift Cylinder (Pneu-Hydraulics)
11	RA 1015666-421	Seal Kit (Ultra Metals)
12	RA 1015666-621	Seal Kit (Pneu-Hydraulics)

**Frame and Undercarriage**



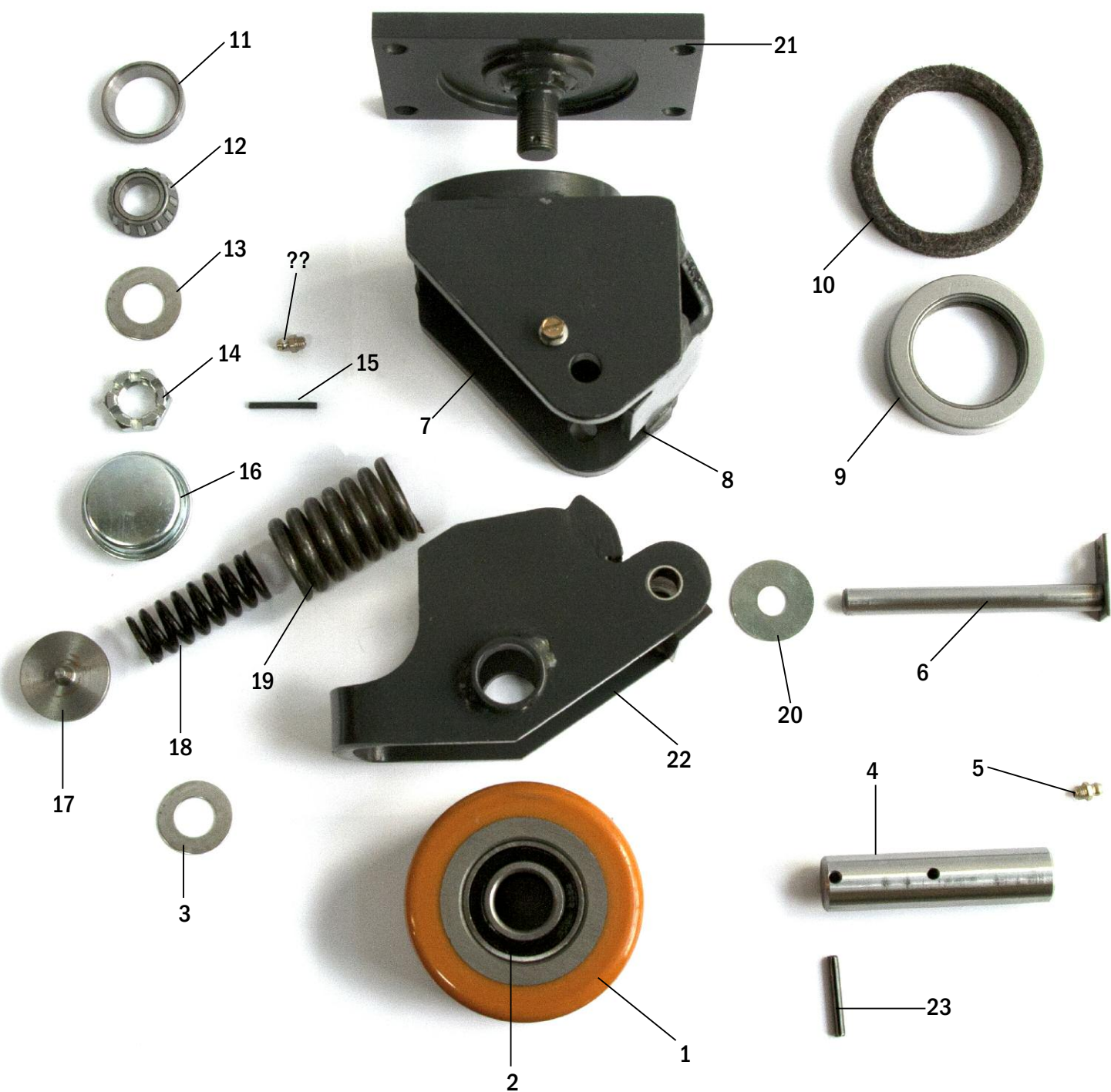
**Frame and Undercarriage**

Item	Part No.	Description
1	RA 5-001-008	Screw
2	RA 5-018-006	Flat Washer
3	RA 5-019-006	Lock Washer
4	RA 1026383	Front Shaft Weldment
5	RA 360-067-004	Roller
6	RA 1026637	Pivot Shaft (6,000 LBS Cap.)
	RA 1026379	Pivot Shaft (8,000 LBS Cap.)
7	RA 1026378-001	Pivot Block (6,000 lbs. Cap.), Left Side
	RA 1026378-002	Pivot Block (8,000 lbs. Cap.), Left Side
8	RA 714-145	Screw
9	RA 1045247-001	Spacer, Tube (6,000 lbs. Cap.)
	RA 1045246-001	Spacer, Tube (8,000 lbs. Cap.)
10	RA 1026377-001	Pivot Block (6,000 lbs. Cap), Right Side
	RA 1026377-002	Pivot Block (8,000 lbs. Cap), Right Side
11	RA 840-033	Grease Fitting
12	RA 840-018	Grease Fitting
13	RA 1023731	Bell Crank Subassembly (6,000 lbs. Cap), Right Side
	RA 1023733	Bell Crank Subassembly (8,000 lbs. Cap), Right Side
14	RA 1023730	Bell Crank Subassembly (6,000 lbs. Cap), Left Side
	RA 1023732	Bell Crank Subassembly (8,000 lbs. Cap), Left Side
15	RA 780-330-001	Bushing (6,000 lbs. Cap)
	RA 780-330-002	Bushing (8,000 lbs. Cap)
16	RA 1025349-006	Bushing (6,000 & 8,000 lbs Cap)
17	RA 1025349-003	Bushing (6,000 lbs. Cap)
	RA 1025349-001	Bushing (8,000 lbs. Cap)
18	RA 1025351-002	Fork Riser (6000 lbs Cap.)
	RA 1025353-002	Fork Riser (8000 lbs Cap.)
19	RA 1025348-007	Bushing (6,000 lbs. Cap.)
	RA 1025349-007	Bushing (8,000 lbs. Cap.)
20	RA 771-033	Flat Washer
21	RA 850-135-634	Load Wheel Axle (Single)
22	RA 632-069	Poly Load Wheel, 95A Durometer
	RA 632-069-A	Poly Load Wheel Assembly, 95A Durometer, Includes Bearings (Single)
	RA 632-069-XL	Poly Load Wheel, 97A Durometer

Item	Part No.	Description
	RA 632-069-XL-A	Poly Load Wheel Assembly, 97A Durometer, Includes Bearings (Single)
23	RA 441-015	Bearing Non-Shielded (inside LW's)
24	RA 441-127	Bearing Shielded (inside LW's)
25	RA 810-747	Spiral Pin
26	RA 1050893-001	Rear Link Shaft (6,000 lbs. Cap.)
	RA 1050893-002	Rear Link Shaft (8,000 lbs. Cap.)
27	RA 810-132	Snap Ring
28	RA 1044706	Sleeve, Eccentric Pin (6,000 lbs.Cap.)
	RA 850-139-277	Sleeve, Eccentric Pin (8,000 lbs.Cap.)
29	RA 1044707	Eccentric Pin ( 6,000 lbs. Cap.)
	RA 1044708	Eccentric Pin ( 8,000 lbs. Cap.)
30	RA 5-001-016	Screw
31	RA 5-019-007	Lock Washer
32	RA 5-018-007	Flat Washer
33	RA 850-138-802	Debris Guard
34	RA 1016119	Pivot Weldment (Tandem and Tandem Split)
35	RA 632-071	Poly Load Wheel (Tandem), 95A Durometer
	RA 632-071-A	Poly Load Wheel Assembly, Includes Bearings (Tandem), 95A Durometer
	RA 632-071-XL	Poly Load Wheel (Tandem), 97A Durometer
	RA 632-071-XL-A	Poly Load Wheel Assembly, Includes Bearings (Tandem), 97A Durometer
36	RA 850-137-070	Load Wheel Axle (Tandem)
37	RA 632-076	Poly Load Wheel (Tandem Split), 95A Durometer
	RA 632-076-A	Poly Load Wheel Assembly, Includes Bearings (Tandem Split), 95A Durometer
	RA 632-076-XL	Poly Load Wheel (Tandem Split), 97A Durometer
	RA 632-076-XL-A	Poly Load Wheel Assembly, Includes Bearings (Tandem Split), 97A Durometer
38	RA 850-137-285	Load Wheel Axle (Tandem Split)
39	RA 810-762	Spiral Pin
40	RA 841-111	Grease Fitting



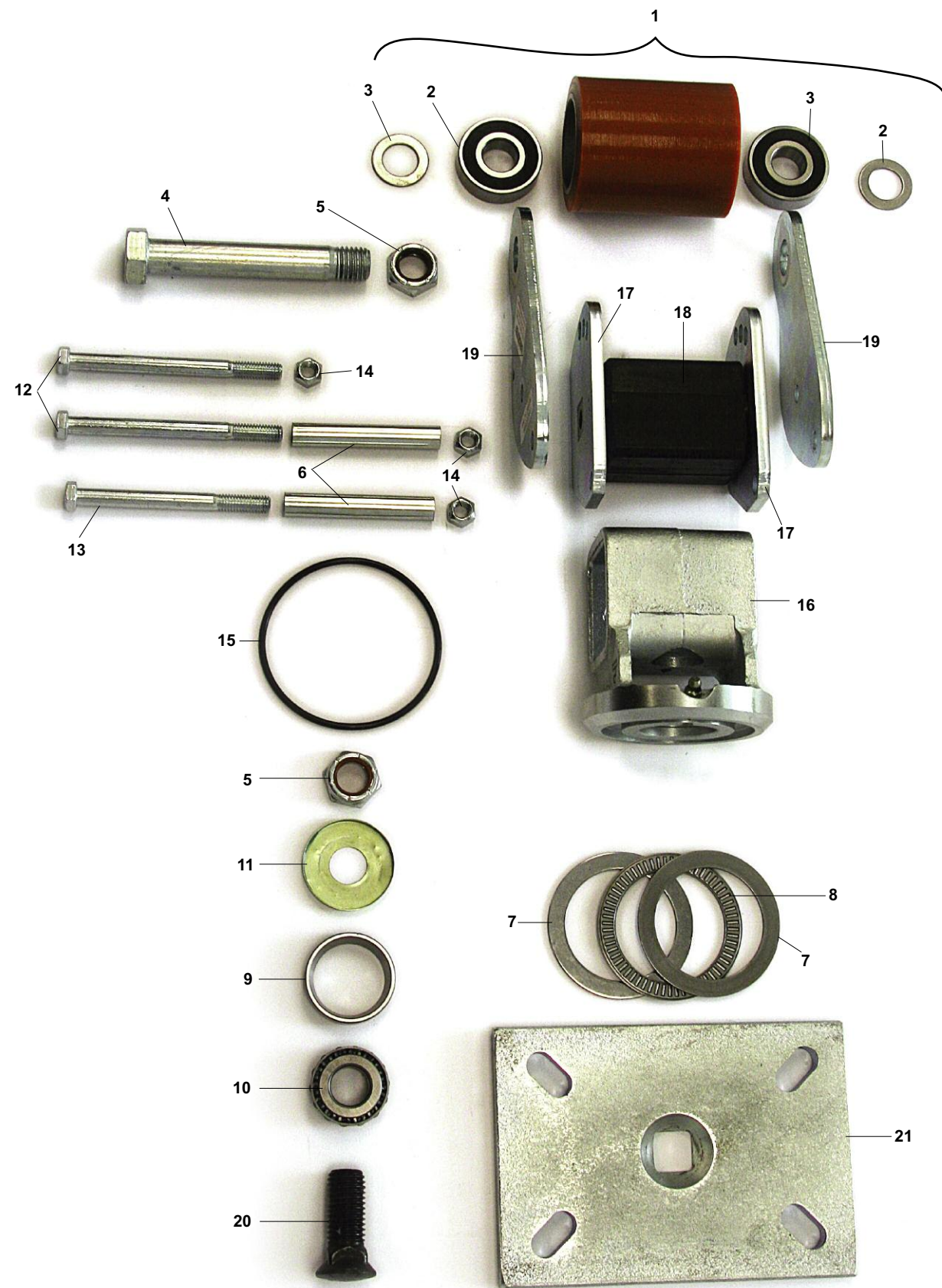
**Caster Assemblies - Caster With Springs**



**Caster Assemblies - Caster With Springs**

Item	Part No.	Description
	RA 671-012-001	Caster Assembly with Springs, Includes All Parts Listed (95A Durometer)
1	RA 632-421/CR7	Poly Caster Wheel Assembly, Includes Bearings & Washers (95A Durometer)
	RA 632-421/CR7-XL	Poly Caster Wheel Assembly, Includes Bearings & Washers (97A Durometer)
2	RA 441-127	Bearing
3	RA 671-015-19	Washer
4	RA 671-015-16	Axle Assembly
	RA 671-015-17	Axle Assembly, Freezer/Corrosion Resistant
5	RA 671-012-22	Grease Fitting
6	RA 671-012-17	Hinge Pin
	RA 671-015-15	Hinge Pin, Freezer/Corrosion Resistant
7	RA 671-012-05	Screw & Washer
8	RA 671-012-02	Yoke Weldment
9	RA 671-012-04	Thrust Bearing
10	RA 671-012-03	Felt Seal
11	RA 671-012-07	Bearing Cup
12	RA 671-012-08	Bearing Cone
13	RA 671-015-05	Washer
14	RA 671-015-06	Nut
15	RA 671-015-07	Roll Pin
16	RA 671-015-08	Hub Cap
17	RA 671-015-11	Spring Locator
18	RA 671-012-12	Spring, Inner
19	RA 671-012-13	Spring, Outer
20	RA 671-012-06	Washer
21	RA 671-015-101	Plate Assembly, Includes Items 9-16
22	RA 671-015-12	Shroud Assembly
23	RA 671-015-18	Roll Pin

**Caster Assemblies - Caster Without Springs**



**Caster Assemblies - Caster Without Springs**

Item	Part No.	Description
	RA 1017847	Caster Assembly, Springless, 95A Durometer, Includes All Parts Listed
1	RA 671-041	Poly Caster Wheel Assembly, 95A Durometer, Includes Bearings and Washers
	RA 671-041-XL	Poly Caster Wheel Assembly, 97A Durometer, Includes Bearings and Washers
2	RA 671-041-08	Bearing
3	RA 671-041-09	Washer
4	RA 671-041-18	Wheel Bolt
5	RA 671-041-16	Axle Nut
6	RA 671-041-06	Axle Tube
7	RA 671-041-10	Thrust Washer
8	RA 671-041-11	Thrust Bearing
9	RA 671-041-13	Bearing Cup
10	RA 671-041-14	Bearing Cone
11	RA 671-041-15	Bearing Shield
12	RA 671-041-19	Bolt
13	RA 671-042-22	Bolt
14	RA 671-041-21	Lock Nut
15	RA 671-041-12	O-Ring
16	RA 101847-01	Housing
17	RA 671-042-04	Adjusting Plate
18	RA 671-041-03	Torsion Block
19	RA 671-041-05	Mounting Arm
20	RA 671-041-17	King Pin
21	RA 671-041-02	Base Plate



**888-999-7715**  
**[www.fastliftparts.com](http://www.fastliftparts.com)**