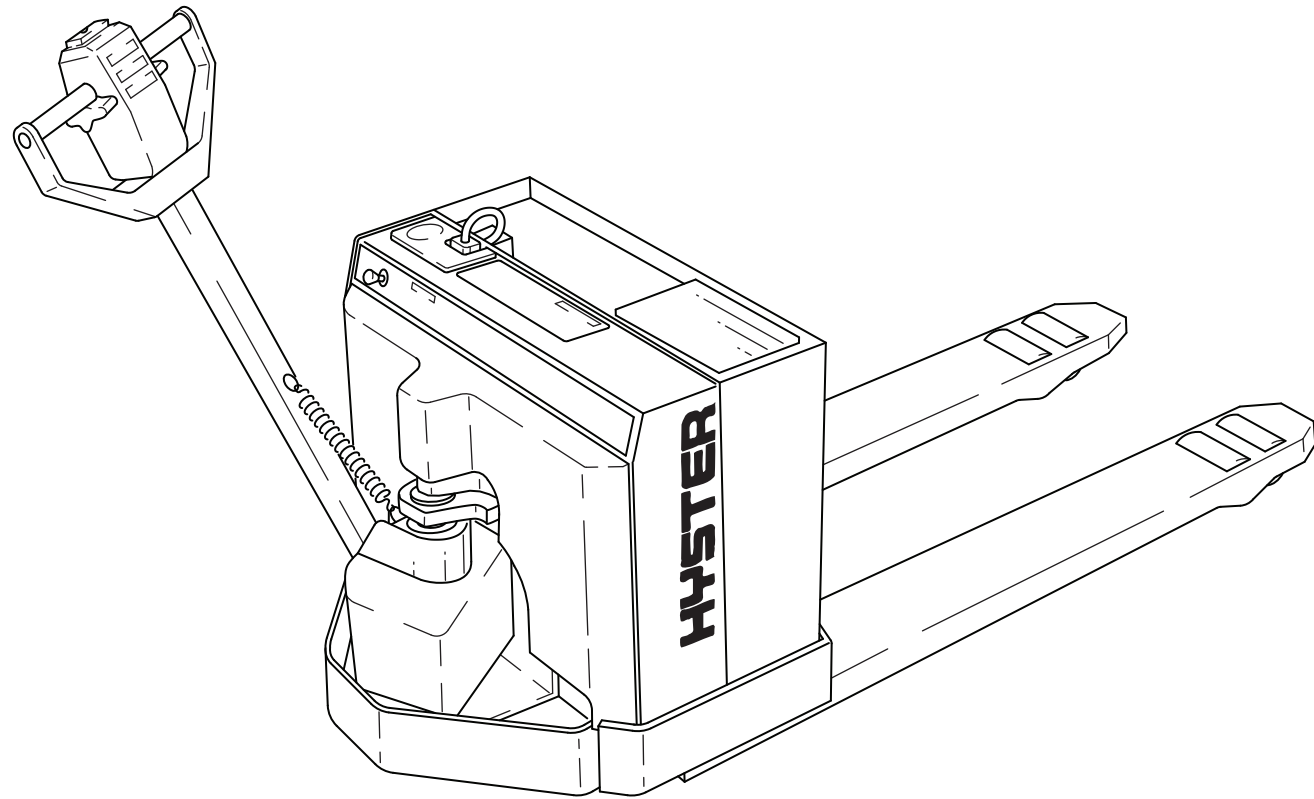


Replacement Parts for Hyster W 40 XL/W 40 XT



Fast Lift Parts

Model Nomenclature

Type of Truck

- B - Electric walkie-rider
- C - Electric walkie-center control
- E - Electric counterbalanced rider, cushioned tire
- J - Electric counterbalanced rider, pneumatic tire
- N - Electric narrow aisle truck
- R - Electric order picker
- V - Very narrow aisle
- W - Electric walkie

Indicates Capacity

Design Series

Truck Type - on Certain Electric Truck Models

- A - Straddle
- C - Center control
- H - Pneumatic
- L - Low level pallet
- R - Reach, or
- R - Rear stand drive
- S - Short wheelbase



Note: Suffixes XL and XT represent design concepts, not nomenclature.

Battery ~~Component~~ Charger

<u>Quick Wheel Lookup</u>	4
<u>Electrical/Battery</u>	6
<u>Control Panel - Resistor</u>	8
<u>Control Panel - PMC</u>	10
<u>Drive Unit and Brake Assembly</u>	12
<u>Motors</u>	14
<u>Steer Arm & Handle Assembly - PMC</u>	16
<u>Hydraulic</u>	18
<u>Frame & Undercarriage</u>	20

This booklet is not intended to replace the original manufacturer's Parts and Service Manual. Please follow Safety Procedures outlined in the manufacturer's publication.

Quick Wheel Lookup

Quick Wheel Lookup

OEM #	Wheel Type	Description	Wheel OD in/mm	Tread Width in/mm	Hub Width in/mm	Hub ID in/mm	Bearing OD in/mm	Bearing #	Material/ Color
HY 2302392	Load Wheel	Poly Load Wheel-Single	3.250/83	4.500/114	4.500/114		1.574/40	6203z	Scotch, 95-A
HY 2302392-A	Load Wheel Assembly	Includes Bearings and Washers		4.500/114	4.500/114		1.574/40	6203z	Scotch, 95-A
HY 2302730-A	Riser Assembly								
GWK-W40XT-LW	Load Wheel Kit, 95-A	Includes (2) Load Wheels w/ Bearings, Axles & Fasteners		4.500/114	4.500/114		1.574/40	6203z	Scotch, 95-A
HY 2308227	Drive Tire	Poly Drive Tire-Smooth Flat	9.00/229	5.00/127		5.00/127			
HY 2308227-A	Drive Tire Assembly	Poly Drive Tire-Smooth Flat, Includes Hub	9.00/229	5.00/127		5.00/127			
HY 2308227-XG	Drive Tire	Poly Drive Tire X Groove	9.00/229	5.00/127		5.00/127			
HY 2308227-XG-A	Drive Tire Assembly	Poly Drive Tire X Groove, Includes Hub	9.00/229	5.00/127		5.00/127			
HY 2309963	Drive Tire	Rubber Drive Tire- Smooth Flat	9.00/229	5.00/127		5.00/127			Black
HY 2309963-A	Drive Tire Assembly	Rubber Drive Tire- Smooth Flat, Includes Hub	9.00/229	5.00/127		5.00/127			Black
HY 2309963-XG	Drive Tire	Rubber Drive Tire X Groove	9.00/229	5.00/127		5.00/127			Black
HY 2309963-XG-A	Drive Tire Assembly	Rubber Drive Tire X Groove, Includes Hub	9.00/229	5.00/127		5.00/127			Black
HY 2308186	Hub	Drive Wheel Hub							

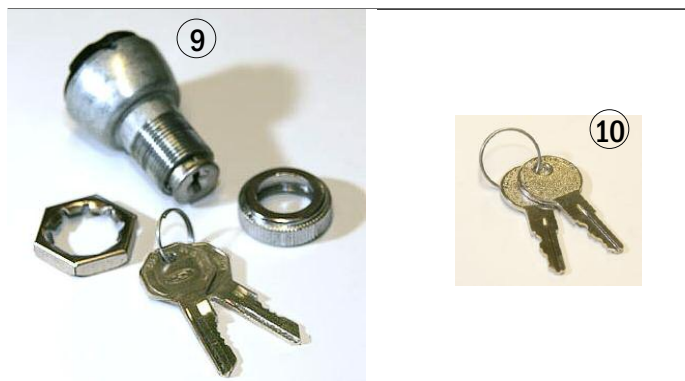
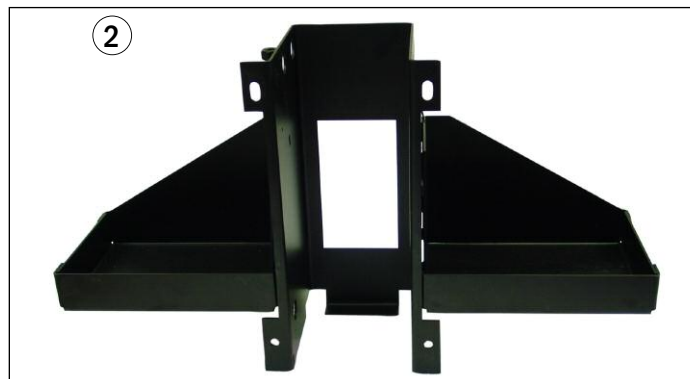
GWK-W40XT-LW
Load Wheel kit
Poly Hy Load (95A)



HY 2302730-A
Riser Assembly



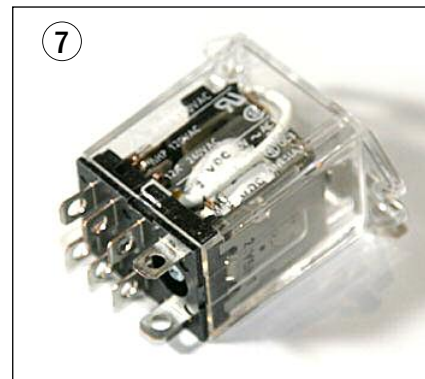
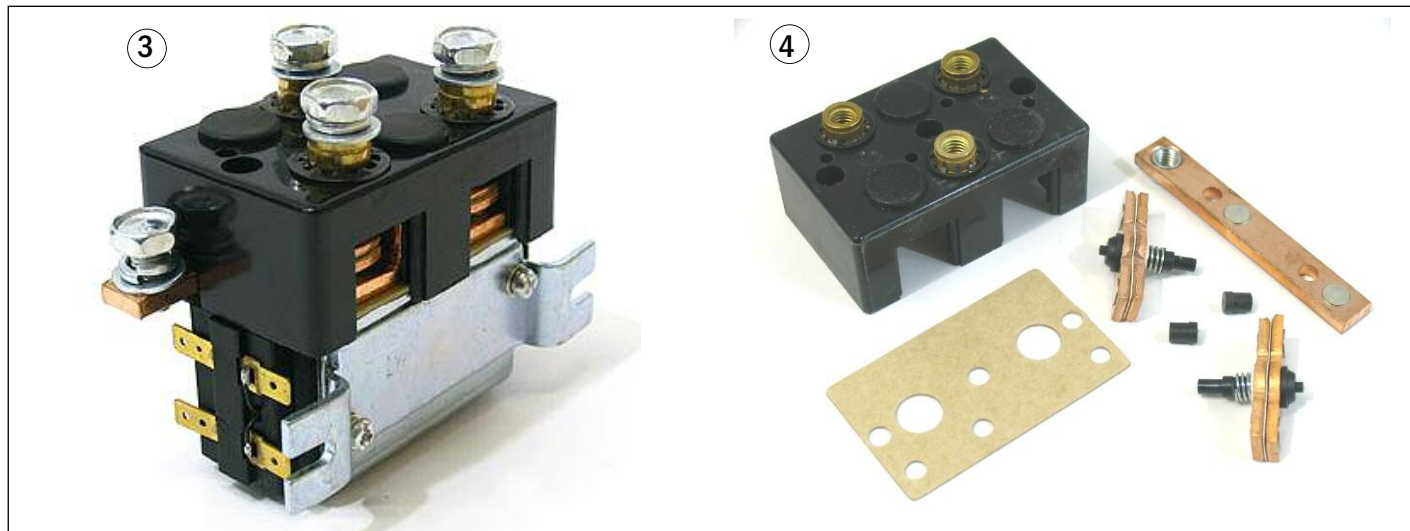
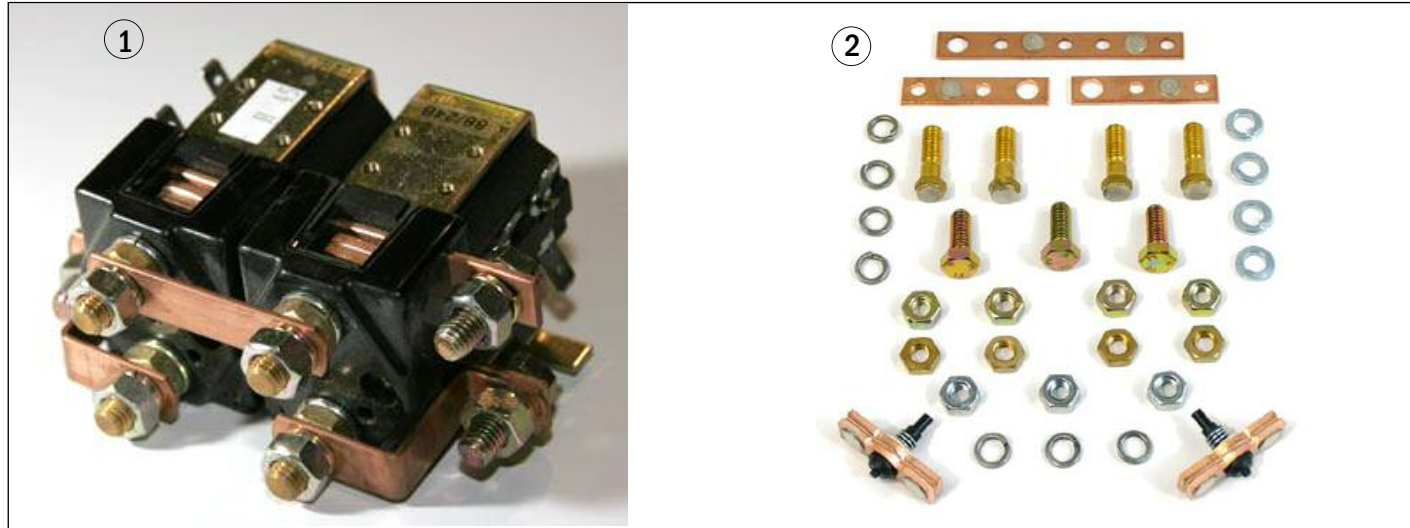
Electrical/Battery



Electrical/Battery

Item	Part No.	Description
1	HY 2033588	Battery charger, 24V to S/N A218H-01605
	HY 2036886	Battery charger, 24V S/N A218H-01606 & Later
	HY 2033833	Battery charger, 24V Option 1 Power Pack
	HY 1455541	Battery charger, 24V Option 2 Power Pack
2	HY 2033591	Pivoting battery tray
3	HY 288835	Red connector, 175A w/contacts
4	HY 2308308	Contacts, set of (2), 175A
5	HY 2033589	Battery disconnect handle, w/screws and nuts
6	HY 2040602	Hour meter
7	HY 2311294	Battery discharge indicator
8	HY 1361313	Unigauge, both BDI and Hour meter
9	HY 254007	Ignition switch, w/2 keys
10	HY 262798	Keys (2)
11	HY 2306115	Horn
12	HY 2033545	Battery cover knob
13	HY 2307607	Wiring harness, drive unit to control handle

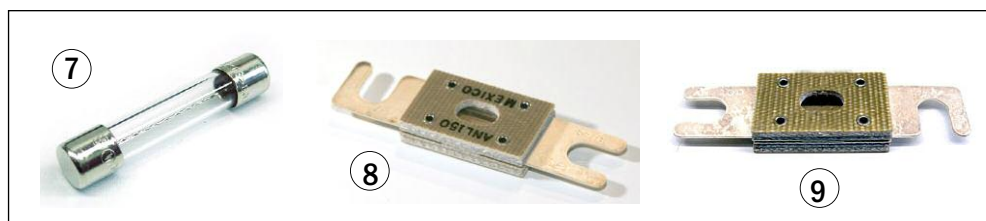
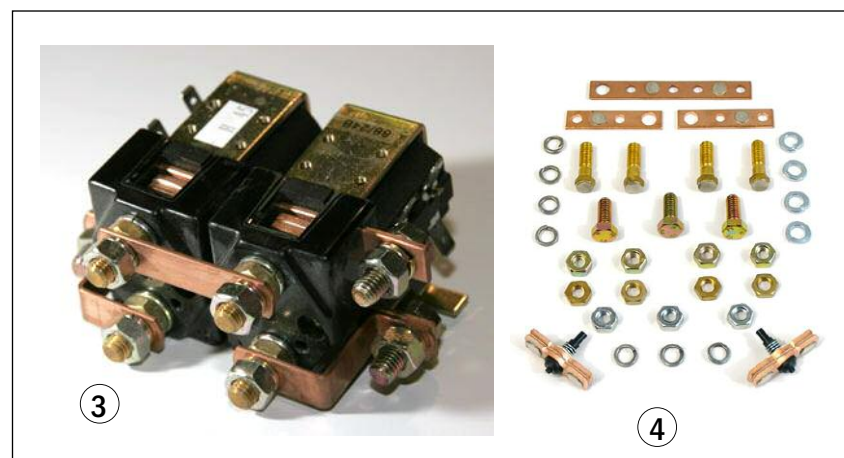
Control Panel - Resistor



Control Panel - Resistor

Item	Part No.	Description	Application
1	HY 2305835	Contactora, F/R	to S/N A218H-001916
2	HY 2305749	Contactora service kit (HY 2305835)	
3	HY 2310977	Contactora, F/R	from S/N A218H-001917
4	ALDC88-SKR	Contactora service kit (HY 2310977)	
5	HY 1374793	Fuse, 10A	
6	HY 2304022	Resistor	
7	HY 2307162	Relay	

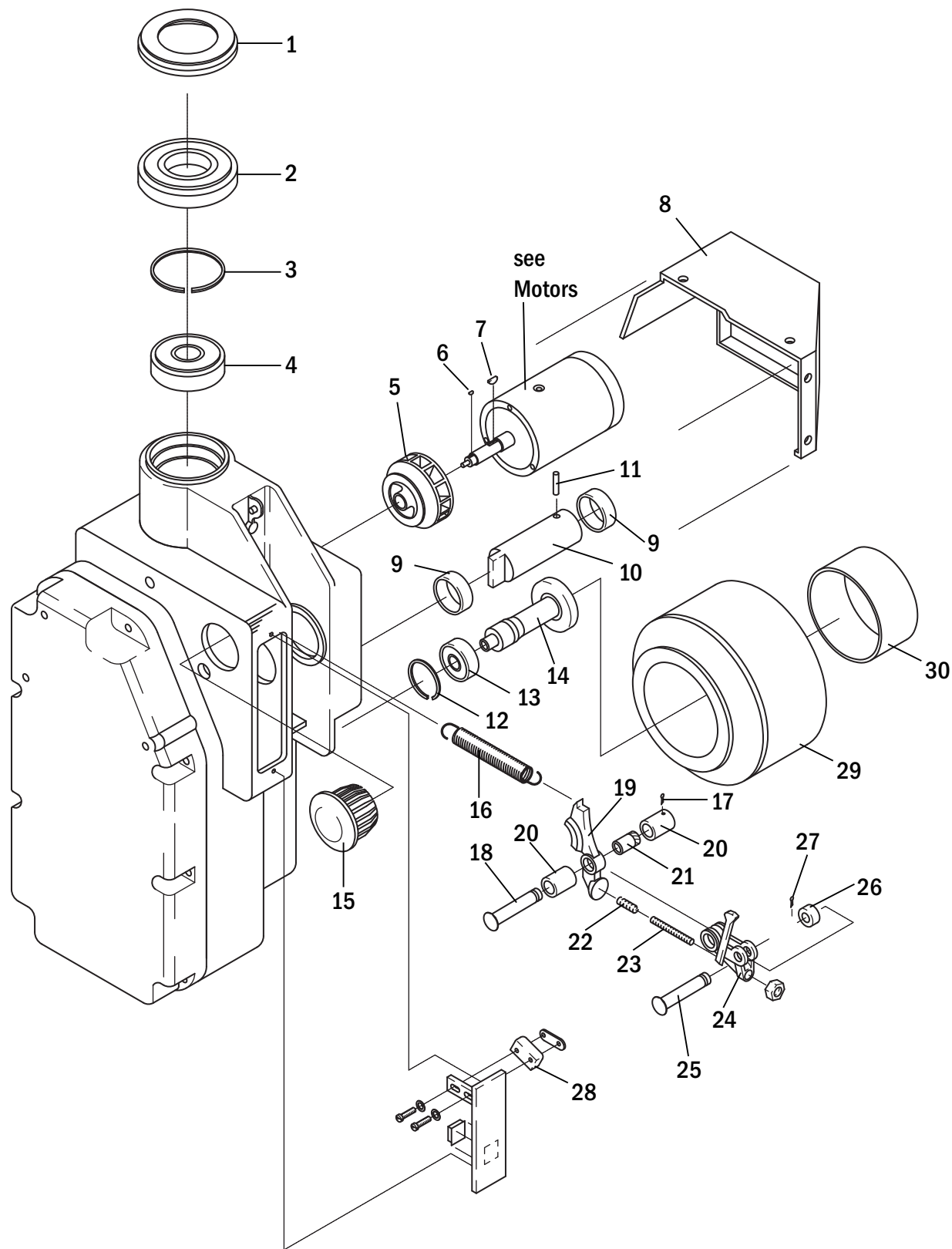
Control Panel - PMC



Control Panel - PMC

Item	Part No.	Description	Application
1	HY 231242-R HY 231242-C	PMC motor controller, 24V Core deposit	Re-manufactured
2	HY 2304463-R HY 230446-C	PMC Motor Controller, 24V Core Deposit	S/N A218H-02152 & later
3	HY 2307724	Contactor, F/R	to S/N A218H-02151
4	HY 2305749	Contactor service kit (HY 2307724)	
5	HY 2034462	Contactor, F/R	from S/N A218H-02152
6	HY 2305749	Contactor service kit (HY 2034462)	
7	HY 2034678	Fuse, 15A	
8	HY 354589	Fuse, 150A	
9	HY 354590	Fuse, 200A	
10	HY 2305215	Bus bar (Not shown)	
11	HY 2302598	Bus bar (Not shown)	
12	HY 2310676	Bus bar (Not shown)	
13	HY 2034312	Bus bar (Not shown)	
14	HY 2034311	Bus bar (Not shown)	
15	HY 2034313	Bus bar (Not shown)	

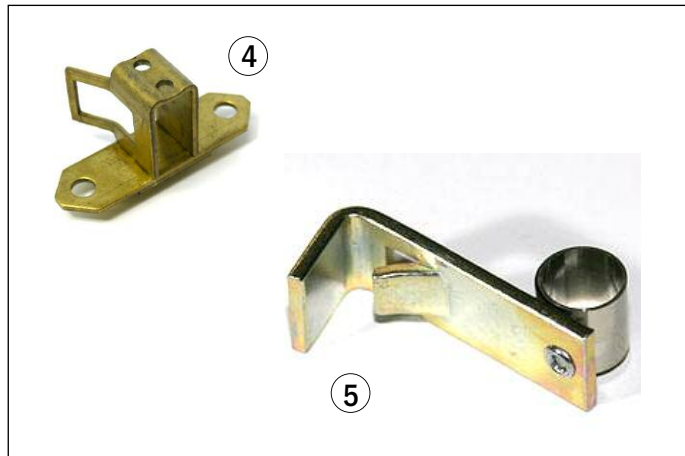
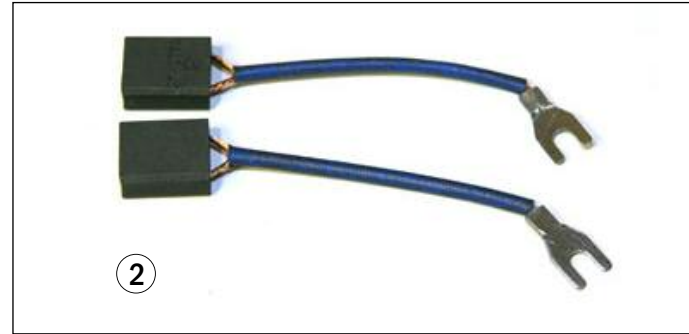
Drive Unit and Brake Assembly



Drive Unit and Brake Assembly

Item	Part No.	Description	Application
1	HY 2307702	Bearing cover	
2	HY 326306	Bearing cup	
2	HY 78584	Bearing cone	
3	HY 12918	Snap ring	
4	HY 45733	Bearing cup	
	HY 326307	Bearing cone	
5	HY 2309624	Brake drum	
6	HY 2310849	Woodruff key	
7	HY 32415	Woodruff key	
8	HY 2041689	Drive motor cover	
9	HY 2302128	Bushing	
10	HY 2305815	Shaft	
11	HY 2309762	Roll pin	
12	HY 58912	Snap ring	
13	HY 163971	Bearing cup	
	HY 174230	Bearing cone	
14	HY 2304321	Drive axle	
15	HY 2307952	Plug	
16	HY 2303356	Brake spring	
17	HY 2302589	Cotter pin	
18	HY 1369407	Pivot pin	
19	HY 2042725	Brake shoe	
20	HY 2311334	Bushing	
21	HY 2302396	Pin	
22	HY 2306414	Spring	
23	HY 2305118	Screw	
24	HY 2304545	Brake cam lever	
25	HY 1369407	Rod end pin	
26	HY 1385123	Roller bearing	
27	HY 15200	Cotter pin	
28	HY 2037415	Switch	
29	HY 2308227	Poly Drive Tire (Please see Quick Wheel Lookup page 4)	
	HY 2309963	Rubber Drive Tire (Please see Quick Wheel Lookup page 4)	
30	HY 2308186	Drive Tire Hub	

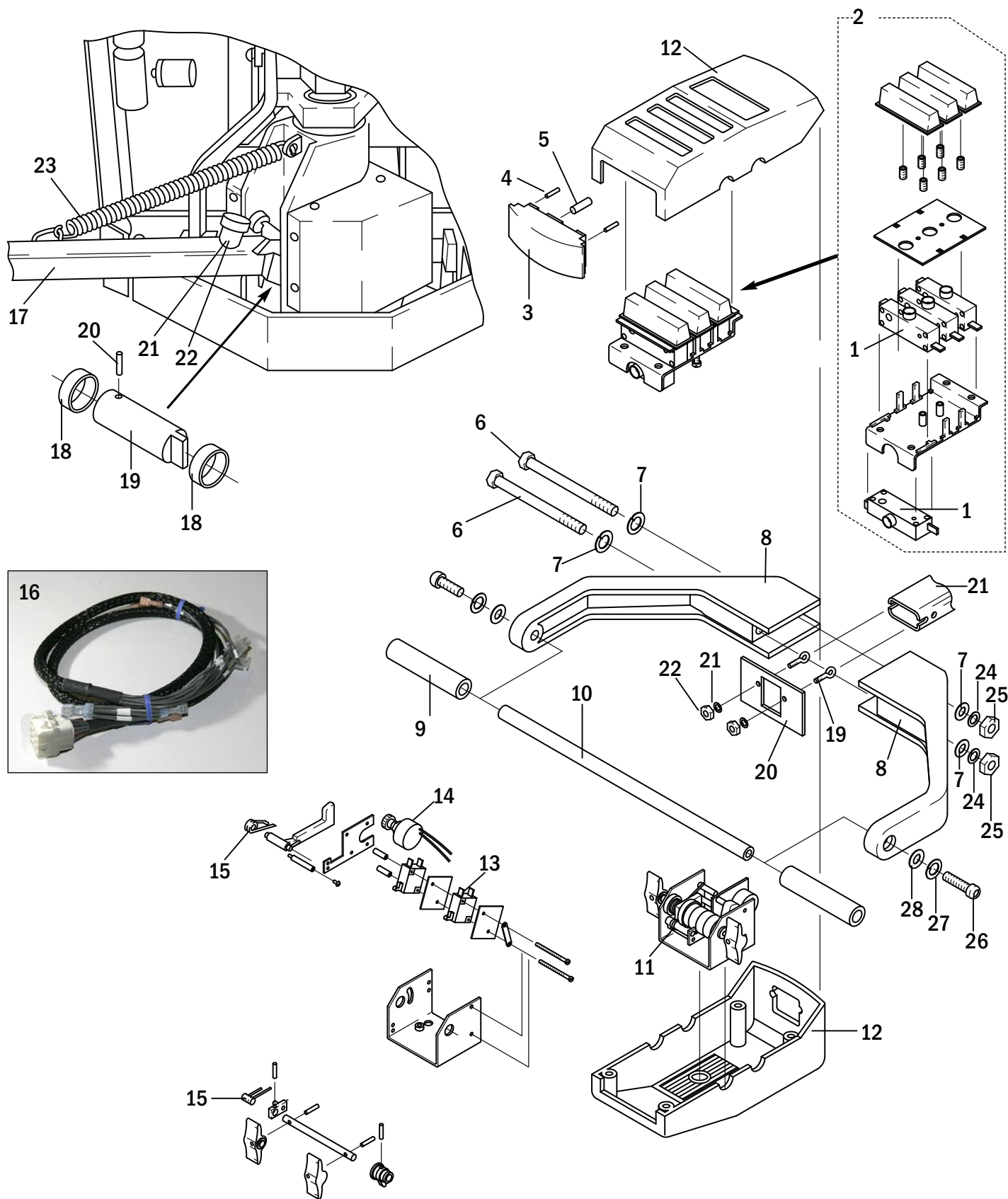
Motors



Motors

Item	Part No.	Description	Application
1	HY 2310528-AM	Drive Motor, After-Market Replacement	
2	HY 2302180	Brush Set (2 per bag), Original Drive Motor	
3	HY 2302180-AM	Brush Set, 4 per bag, After-market Drive Motor	
4	HY 2305766	Brush Holder, OEM Drive Motor	
5	HY 2310816	Brush Spring, OEM Drive Motor (Requires 2)	
6	HY 1466025-AM	Hydraulic Pump Motor, After-market	

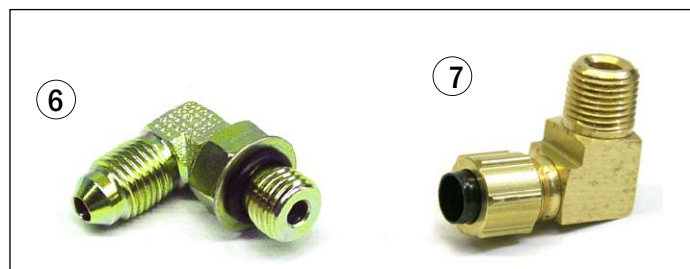
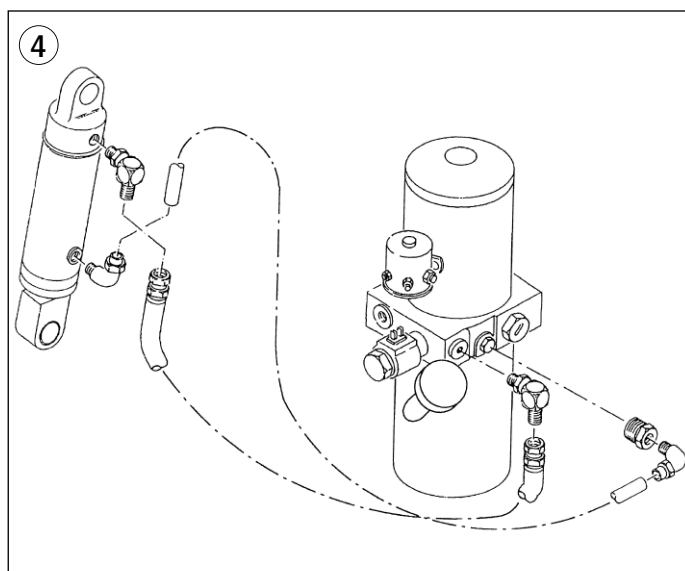
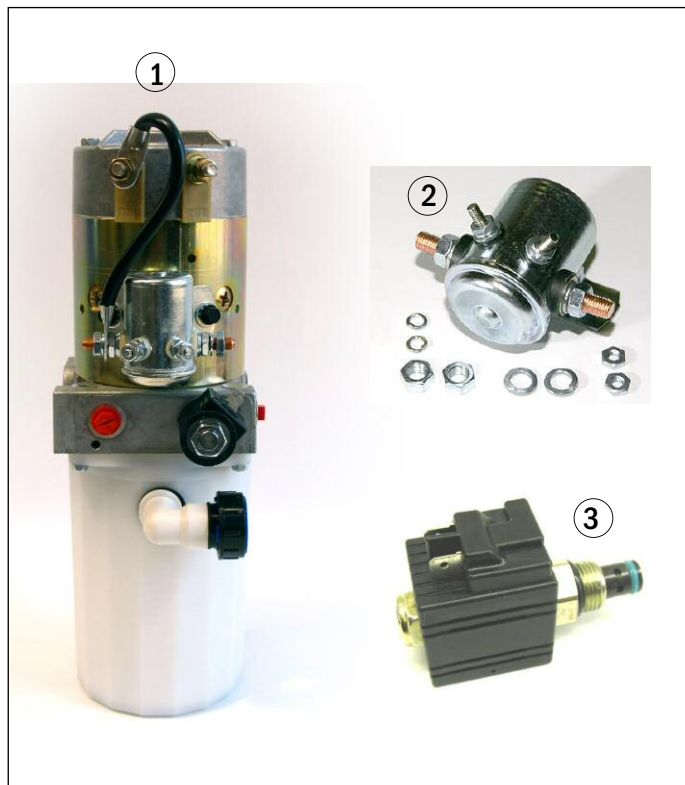
Steer Arm & Handle Assembly - PMC



Steer Arm & Handle Assembly - PMC

Item	Part No.	Description	
1	HY 1374529	Switch, Lift, Lower, Horn, Belly	
2	YL 505346500	Top Cover Assembly, Incl. Switches	
3	HY 2310216	Switch Actuator, Auto reverse	
4	HY 2307649	Spring, Belly Button Cover	
5	HY 2309504	Rubber Stopper	
6	HY 18522	Hex Screw	
7	HY 18515	Washer	
8	HY 2032426	Handle (Left or Right)	
9	HY 2311072	Grip	
10	HY 2308201	Shaft	
11	HY 2303444	Butterfly Switch Assembly (after 9/1995)	
12	HY 2309167	Handle Head Set, Upper and Lower	
13	HY 2309240	Micro Switch	
14	HY 2302033	Potentiometer - PMC	
15	HY 2404329	Torsion Spring	
16	HY 23003862	Handle Wiring Harness Assembly, Resistor & PMC	
17	HY 2308794	Steer Arm Weldment	
18	HY 2302128	Steer Arm Bushing	
19	HY 2305002	Steer Arm Pin	
20	HY 2309762	Roll Pin	
21	HY 2302746	Rubber Bumper	
22	HY 2304157	Screw for Rubber Bumper	
23	HY 2304879	Steer Arm Return Spring	S/N A218H-02152 & later
	HY 2309051	Steer Arm Return Spring	to S/N A218H-02151
24	HY 15155	Lockwasher	
25	HY 15055	Nut	
26	HY 2310085	Cap Screw	
27	HY 15156	Lockwasher	
28	HY 15134	Washer	

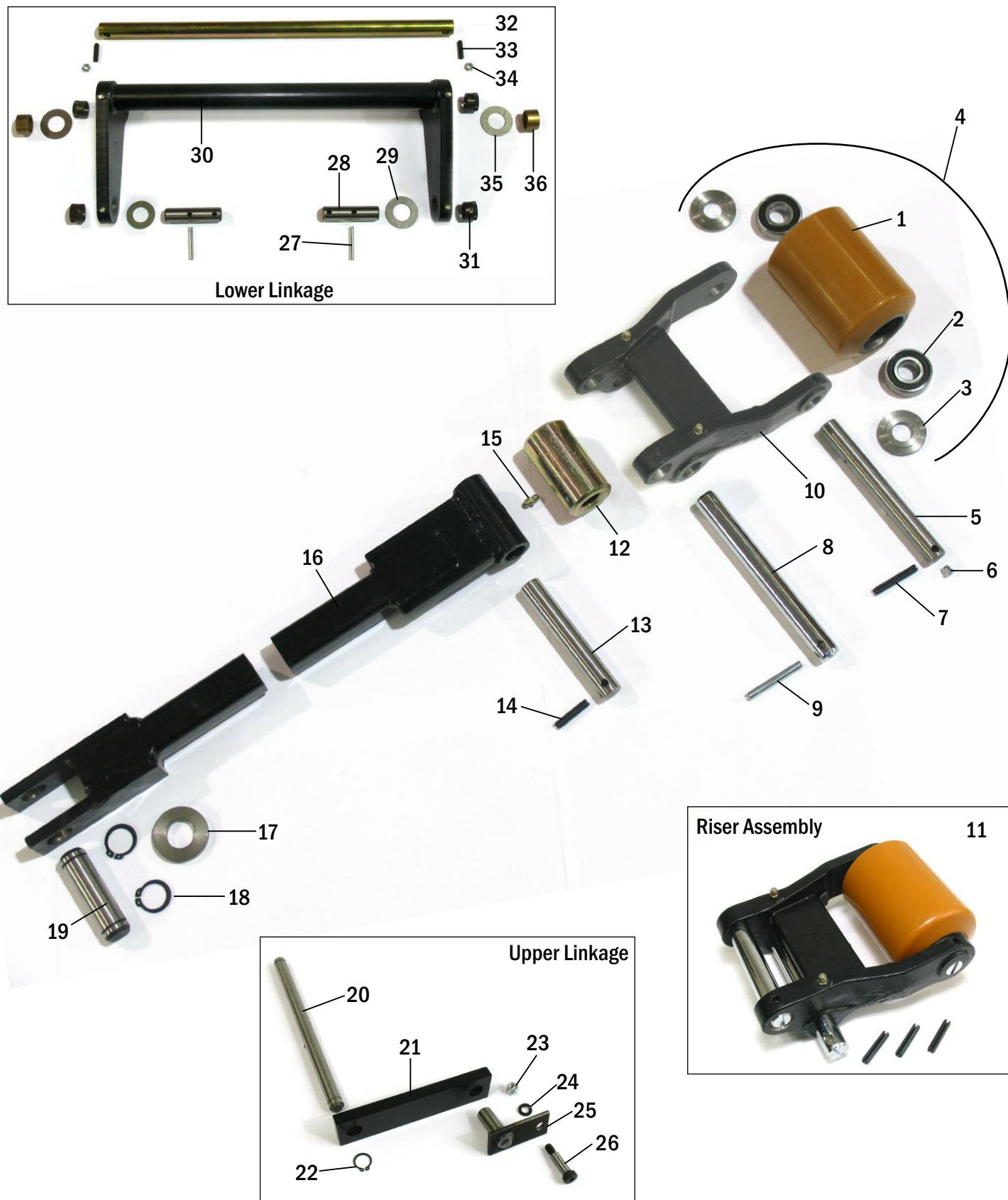
Hydraulic



Hydraulic

Item	Part No.	Description	Application
1	HY 2305764	Hydraulic Unit, Pump & Motor Assembly, up to S/N 83128	
	HY 2037418	Hydraulic Unit, Pump & Motor Assembly, S/N 83129 & later	
2	HY 1322444	Lift solenoid, 24V	
3	HY 2308371	Solenoid valve, 24V	
4	HY 2311211	Lift cylinder	
5	HY 2307177	Packing kit	
6	HY 16556	Fitting	
7	HY 16987	Fitting	
8	HY 2302339	Hose	
9	HY 2306371	Tube	

Frame and Undercarriage



Frame and Undercarriage

Item	Part No.	Description	Item	Part No.	Description
1	HY 3005911	Poly Load Wheel, 95A Durometer	13	HY 3006808	Link Pin
	HY 3005911-XL	Poly Load Wheel, 97A Durometer	14	HY 2307086	Roll Pin
2	HY 124624	Bearing	15	HY 16041	Lube Fitting
3	HY 230951	Washer	16	HY 2308822	Push Rod, 48" Fork Length
4	HY 3005911-A	Poly Load Wheel Assembly, 95A Durometer, Includes Bearings & Washers	17	HY 2311881	Spacer
	HY 3005911-XL-A	Poly Load Wheel Assembly, 97A Durometer, Includes Bearings & Washers	18	HY 248212	Retaining Ring
	GWK-W40XL-LW	Poly Wheel Kit 95A, Includes Bearings, Axles & Washers	19	HY 3008398	Pin
5	HY 3005736	Load Wheel Axle/Includes Lube Fitting	20	HY 2304484	Pin
6	HY 13957	Lube Fitting	21	HY 2307680	Link
7	HY 2307242	Roll Pin	22	HY 58903	Retaining Ring
8	HY 2309397	Pivot Pin	23	HY 15055	Hex Washer
9	HY 2307086	Roll Pin	24	HY 15155	Lockwasher
10	HY 2302730	Riser Assembly, Includes Lube Fitting	25	HY 2305824	Pin
11	HY 2302730-A	Complete Riser Assembly, 95A Durometer, Includes Poly Load Wheel, Axles & Roll Pins	26	HY 18497	Hex Bolt
	HY 2302730-XL-A	Complete Riser Assembly, 97A Durometer, Includes Poly Load Wheel, Axles & Roll Pins	27	HY 19913	Roll Pin
12	HY 2307475	Steel Roller Assembly	28	HY 2311661	Pin
			29	HY 2308877	Shim
			30	HY 2305862	Bellcrank, 27" Wide Frame
			31	HY 2307600	Bushing
			32	HY 2309006	Bellcrank Pin, 27" Wide Frame
			33	HY 2309174	Set Screw
			34	HY 15001	Nut
			35	HY 2311480	Shim
			36	HY 2310885	Bushing

GWK-W40XT-LW





888-999-7715
www.fastliftparts.com

888-999-7715
www.fastliftparts.com





888-999-7715
www.fastliftparts.com