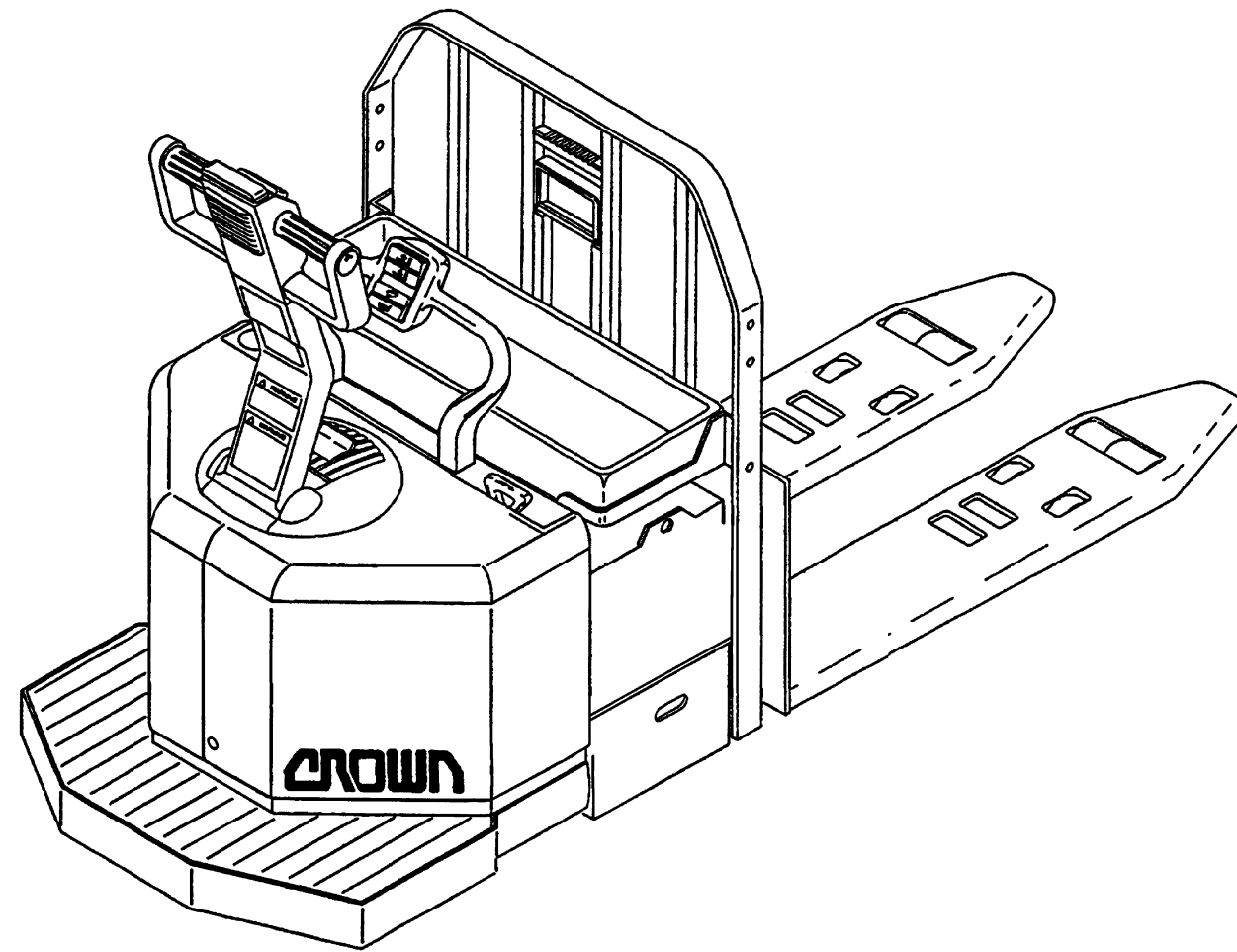


# Replacement Parts for Crown PE 3000 Series



**Truck Data Nomenclature**

**Standard/Special Truck**

- = Standard, S = Special, C = Custom

**Fork Width**

**Fork Length**

**Fork Tip**

- = Standard, T = Tandem, E=Extended

**Battery Compartment**

N = Narrow 6.69" or 7.94" (170 or 200mm), W = Wide 13.19" (335mm)

**Axle**

- = Single, T = Tandem

**Freezer/Corrosion**

- = Without Conditioning, F = Freezer Condition, C = Corrosion Condition

**Control**

- = Resistor, C = Curtis Transistor, S = Sevcon Transistor

**Casters**

- = Standard, A = Quick Adjustment,  
T = Quick Adjustment w/Torsion Bar

**Drive Tires**

RU = Rubber, Black-Lugged	CP = Poly, Cream-Smooth
SR = Rubber, Black-Siped	** = Special
WR = Rubber, White-Lugged	AP = 5.5" Wide Poly
LR = Rubber, Fiberglass	DP = Diamond Siped Poly
	impregnated
PO = Poly, Black-Smooth	HP = High Crown Poly
SP = Poly, Black-Siped	RP = Razor Siped Poly
GP = Poly, Black-Grooved	RL = Lugged Rubber
	RS = Smooth Rubber

**- 27 48 E W S - C T RU BD - A - R C**

**Meter Options**

DM = Discharge Volt Meter	HD = Hour & Discharge Volt Meter
KE = Key Only	BD = Unigage (Integral Hour, Volt & Battery Interrupt)
HM = Hour Meter	

**Internal Hour Meter**

- = Without Meter, I = Internal Hour Meter

**Travel Alarm**

- = Without Travel Alarm, A = Travel Alarm

**Key/Toggle Switch**

- = Key Switch, T = Toggle Switch

**Battery Rollout**

- = Without Battery Rollout, R = Battery Rollout,  
I = Battery Rollout & Battery Retainer Switches

**Storage Compartment**

- = Without Storage, B= Storage Mounted on Load Backrest,  
C = Storage Mounted on Battery Cover

**Contents**

**Wheels**

Quick Wheel Lookup 4

**Electrical**

Miscellaneous: Keys, Gauges, Connectors, Horn	6
Contactor Panel - Resistor (to S/N 132473)	8
Contactor Panel - Resistor (S/N 132473 and up)	10
Contactor Panel - Transistor (Curtis)	12
Contactor Panel - Transistor (Sevcon)	14

**Drive Unit/Brakes**

Drive Unit Assembly	16
Drive Motor	18
Brakes	20

**Handle/Control Assembly**

Control Pod	
Resistor	22
Resistor - Quickpick	24
Resistor - Freezer Corrosion	26
Resistor - Quickpick and Freezer Corrosion	28
Transistor	30
Transistor - Quickpick	32
Transistor - Freezer Corrosion	34
Transistor - Quickpick and Freezer Corrosion	36
Handle Control Arm and Wiring Harness	38
Grab Bar and Mat	40

**Hydraulic**

Power Unit	42
Lift Cylinder	44

**Frame and Undercarriage**

Riser Assembly 9" and 10" Forks	
Single Wheel	46
Dual Wheels	48
Tandem Wheels	50
Riser Assembly 7" Forks - Tandem Wheels	52
Rear Lift Linkage	54
Tension Bars	56
Entry Bracket/Rollers	57
Casters - Standard	60
Casters - Quick Adjustment	62

### Quick Wheel Lookup

### Quick Wheel Lookup

OEM #	Wheel Type	Manuf.	Part #	Description	Wheel OD in/mm	Tread Width in/mm	Hub Width in/mm	Hub ID in/mm	Bearing OD in/mm	Bearing #	Material/ Color
CR 100462	Load Wheel	Generic	GW 9141	Poly Load Wheel-Single	3.250 / 83	6.500 / 165	6.500 / 165		2.047 / 52	6205Z (4)	Scotch, 95-A
	Load Wheel	Superior	SU 9141	Poly Load Wheel-Single							Maroon, 95-A
	Load Wheel	Superior	SU 9141-EZ	Poly Load Wheel-Single							Red, 85-A
	Load Wheel	Superior	SU 9141-XL	Poly Load Wheel-Single							Cream, 97-A
	Load Wheel	Falcon	FL 9136	Poly Load Wheel-Single							Burgundy, 90-A
	Load Wheel	Falcon	FL 9136-HL	Poly Load Wheel-Single							Yellow, 95-A
	Load Wheel	Falcon	FL 9136-ML	Poly Load Wheel-Single							Green, 97-A
CR 77084	Load Wheel	Generic	GW 9133	Poly Load Wheel-Dual	3.250 / 83	3.250 / 83	3.250 / 83		2.047 / 52	6205Z	Scotch, 95-A
	Load Wheel	Superior	SU 9133	Poly Load Wheel-Dual							Maroon, 95-A
	Load Wheel	Superior	SU 9133-EZ	Poly Load Wheel-Dual							Red, 85-A
	Load Wheel	Superior	SU 9133-XL	Poly Load Wheel-Dual							Cream, 97-A
	Load Wheel	Falcon	FL 9133	Poly Load Wheel-Dual							Burgundy, 90-A
	Load Wheel	Falcon	FL 9133-HL	Poly Load Wheel-Dual							Yellow, 95-A
	Load Wheel	Falcon	FL 9133-ML	Poly Load Wheel-Dual							Green, 97-A
CR 77086	Load Wheel	Generic	GW 9135	Poly Load Wheel-Tandem	3.250 / 83	5.000 / 127	5.000 / 127		2.047 / 52	6205Z	Scotch, 95-A
	Load Wheel	Superior	SU 9135	Poly Load Wheel-Tandem							Maroon, 95-A
	Load Wheel	Superior	SU 9135-EZ	Poly Load Wheel-Tandem							Red, 85-A
	Load Wheel	Superior	SU 9135-XL	Poly Load Wheel-Tandem							Cream, 97-A
	Load Wheel	Falcon	FL 9135	Poly Load Wheel-Tandem							Burgundy, 90-A
	Load Wheel	Falcon	FL 9135-HL	Poly Load Wheel-Tandem							Yellow, 95-A
	Load Wheel	Falcon	FL 9135-ML	Poly Load Wheel-Tandem							Green, 97-A
CR 79494	Drive Tire	Superior	SU 13x4.5x8-SF-P	Poly Drive Tire-Smooth Flat	13 / 330	4.50 / 114		8.00 / 203			Maroon, 91-A
	Drive Tire	Superior	SU 13x4.5x8-SC-EZ	Poly Drive Tire-Smooth Crown							Red, 85-A
	Drive Tire	Superior	SU 13x4.5x8-SC-XL	Poly Drive Tire-Smooth Crown							Cream, 93-A
	Drive Tire	Falcon	TI 126	Poly Drive Tire- Smooth Flat							Burgundy, 90-A
CR 74458	Drive Tire	Superior	SU 13.5x5.5x8-SF-R	Rubber Drive Tire-Smooth Flat	13.50 / 343	5.50 / 140	8.00 / 203				Black
	Drive Tire	Falcon	RT 133	Rubber Drive Tire-Smooth Flat							Black
CR 82694-1	Caster Assy	Superior	STR2001	Standard							Maroon, 95-A
	Caster Assy	Superior	STR2001FS	Grease Axle, Zinc Plated							Cream, 97-A
CR 115374-001	Caster Assy	OEM	CR 115374-001	Quick Adj. W/ Torsion Bar							Set of 2
CR 115374-002	Caster Assy	OEM	CR 115374-002	Quick Adj. W/O Torsion Bar							Set of 2
CR 83179	Caster Wheel	Generic	GW 9143	Incl. Bearings, washers	4.00 / 102	2.50 / 63				6205Z	Scotch, 95-A

**Miscellaneous**

1 - OEM Ignition Switch, replacement key



2 - Generic Ignition Switch, replacement key



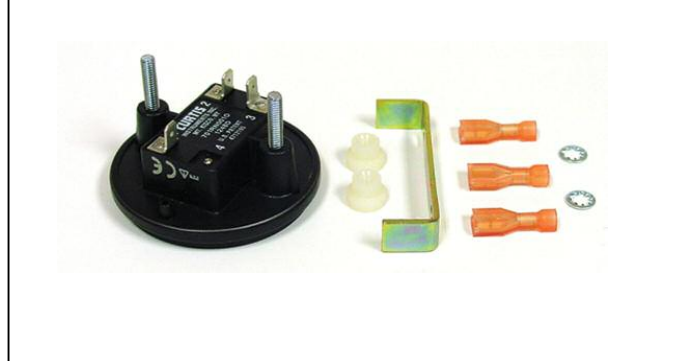
3 - Connectors



4 - Battery discharge indicator



5 - Hour meter



6 - Unigage - bottom



6 - Unigage - top



7 - Horn



8 - Mat

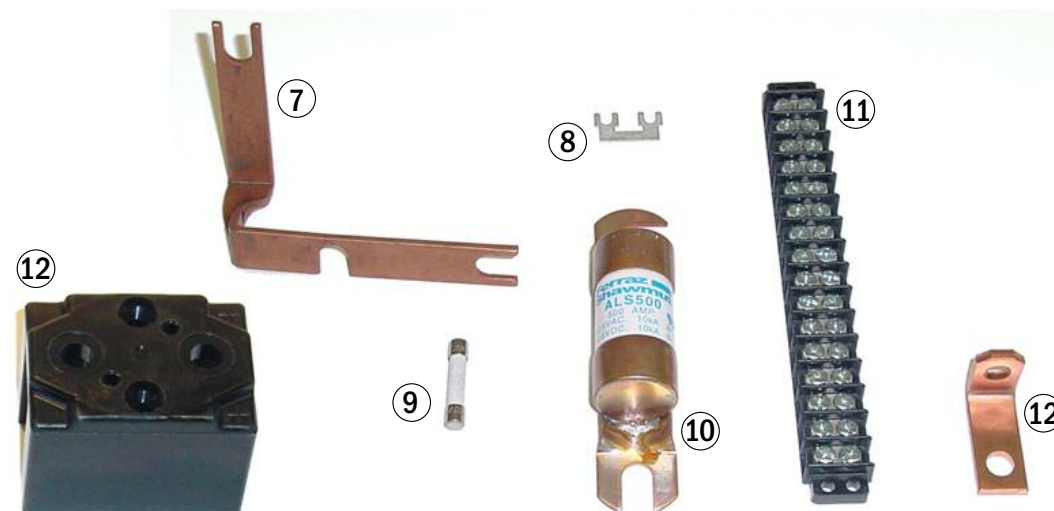
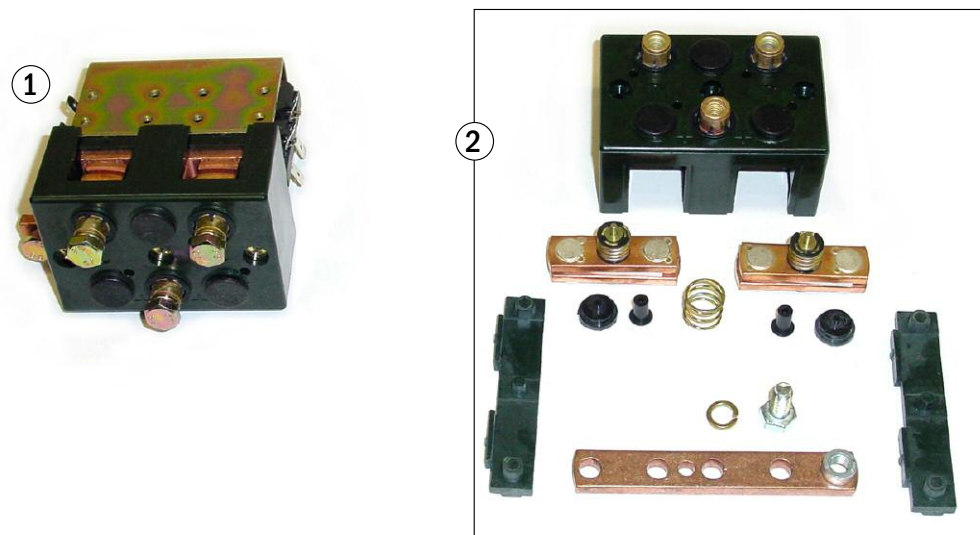


**Miscellaneous**

Item	Part No.	Description	Application
1	CR 72708-OEM	Ignition switch	Original
	CR 107151-001-OEM	Replacement key	OEM molded key
	CR 107151-001-OEM-G	Replacement key	Non-molded, fits OEM ignition
2	CR 72708	Ignition switch	Generic
	CR 107151-001	Replacement key	Fits Generic Ignition
3	CR 77917-002	175 Gray connector	w 1/0 Lug
	CR 77917-001	350 Gray connector	w 2/0 Lug
	CR 77917-005	50 Gray connector	w 6mm Lug
4	CR 115083	Battery discharge indicator	
5	CR 113773-001	Hour meter	3 Terminal, 9-60V
6	CR 115874	Unigage	Battery discharge/hr. meter
7	CR 78708-4	Horn, 24V	
8	CR 121329-001	Mat	



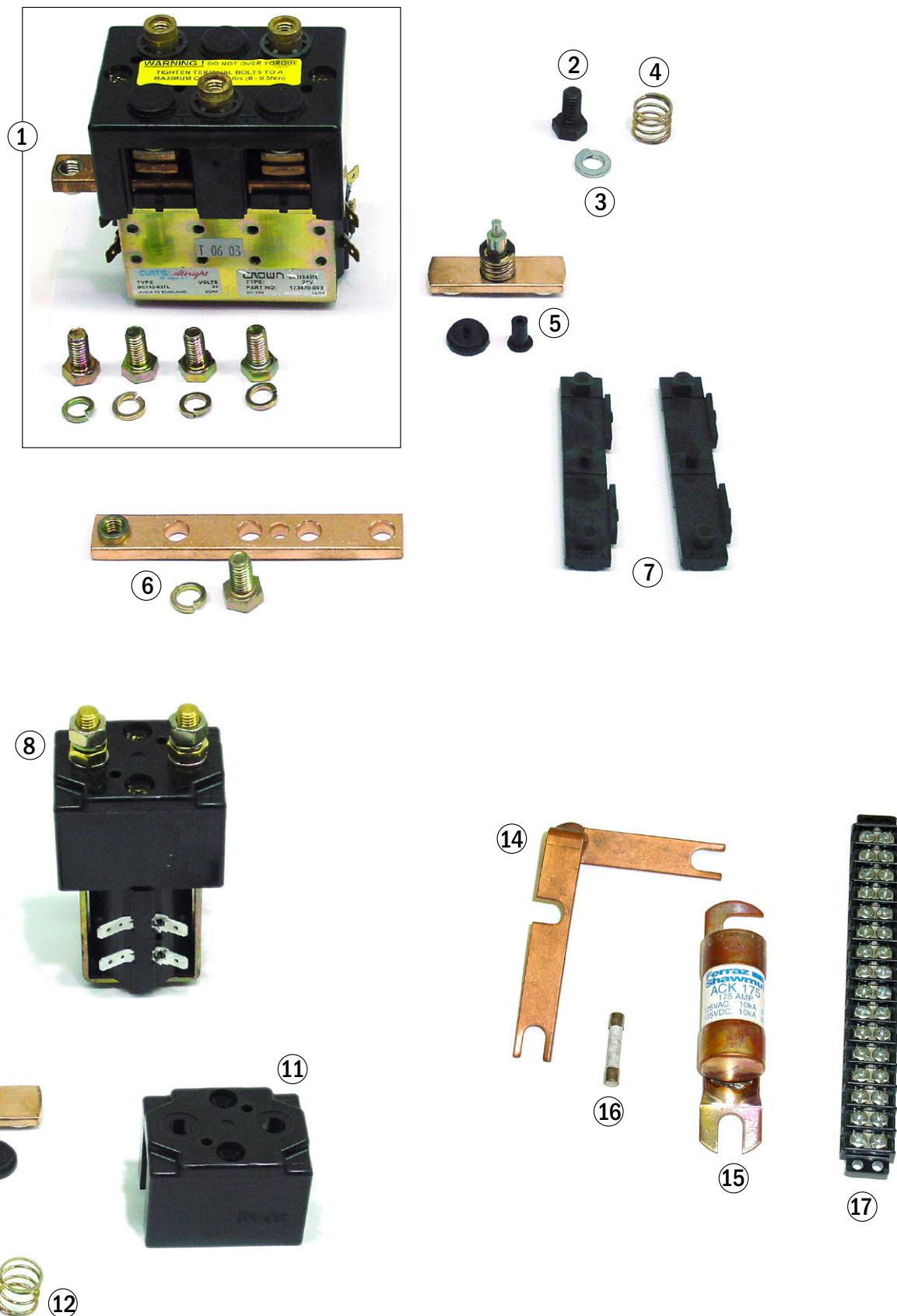
**Contactor Panel - Resistor (to S/N 132472)**



**Contactor Panel - Resistor (to S/N 132472)**

Item	Part No.	Description	Application
1	CR 116794-003	Contactors	forward and reverse
2	CR 116794-003-KIT	Contactors Kit	
3	CR 110613-003	Contactors	2nd and 3rd speed
4	CR 117162	Contact tip kit	
5	CR 117160	Coil, 24V	2nd and 3rd speed
6	CR 116785	Bus bar	
7	CR 112230	Bus bar	
8	CR 094362-002	Fuse, 15A	
9	CR 076924-006	Fuse, 175A	
10	CR 079564-011	Terminal	
11	CR 087652	Bus bar	
12	CR 114436	Top cover	

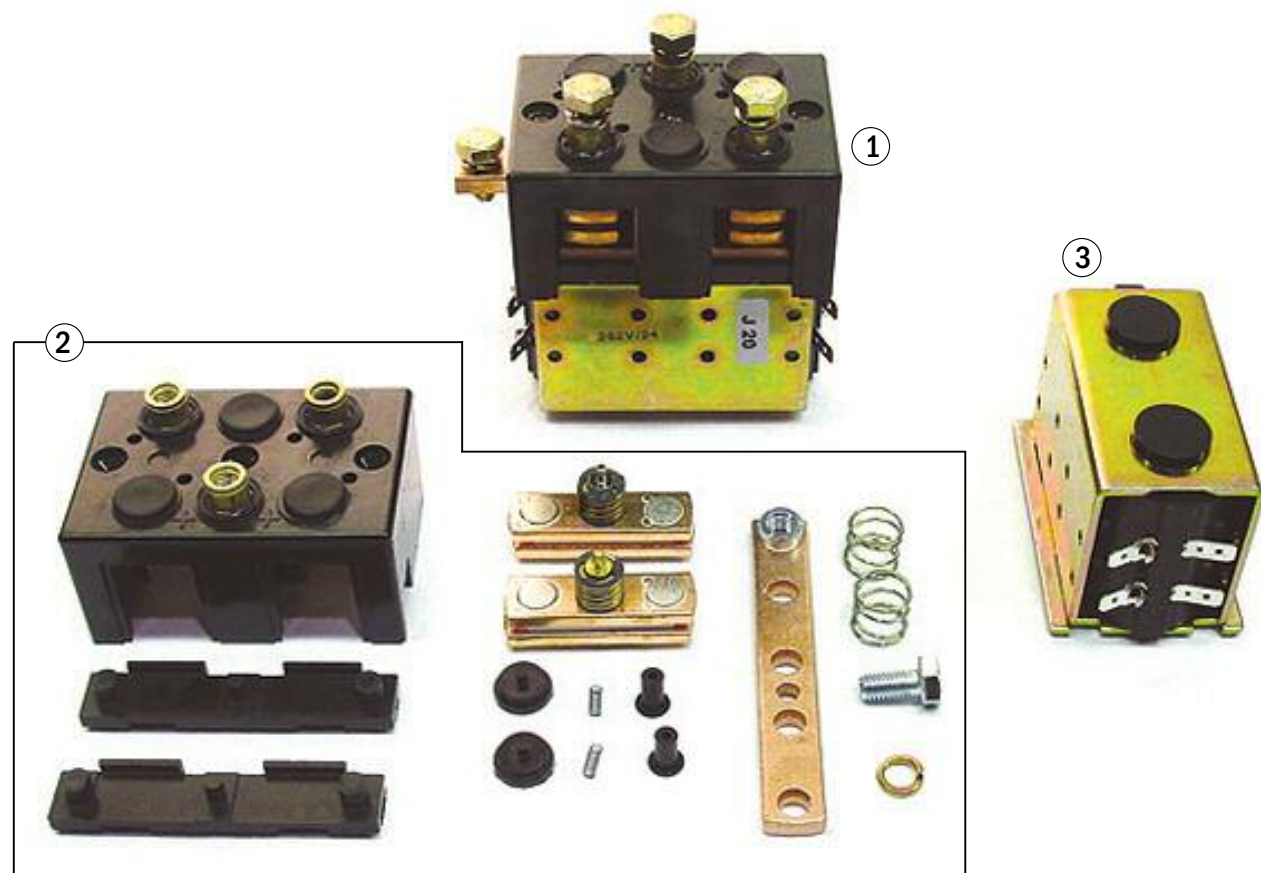
**Contactors Panel - Resistor (S/N 132472 and up)**



**Contactors Panel - Resistor (S/N 132472 and up)**

Item	Part No.	Description	Application
1	CR 123470-003	Contactors	forward and reverse
2	CR 060063-006	Screw	
3	CR 050010-020	Lockwasher	
4	CR 126123	Return spring	two included
5	CR 107348	Moving contact	two included
6	CR 126124	Fixed contact	
7	CR 119130	Insulator	two included
8	CR 110613-003	Contactors A & B	2nd and 3rd speed
9	CR 117157	Fixed contact	
10	CR 117158	Moving contact	
11	CR 114436	Top cover	
12	CR 117159	Return spring	
13	CR 123601	Bushing	
14	CR 116785	Bus bar	
15	CR 076924-006	Fuse, 175A	
16	CR 094362-002	Fuse, 15A	
17	CR 079564-011	Terminal block	

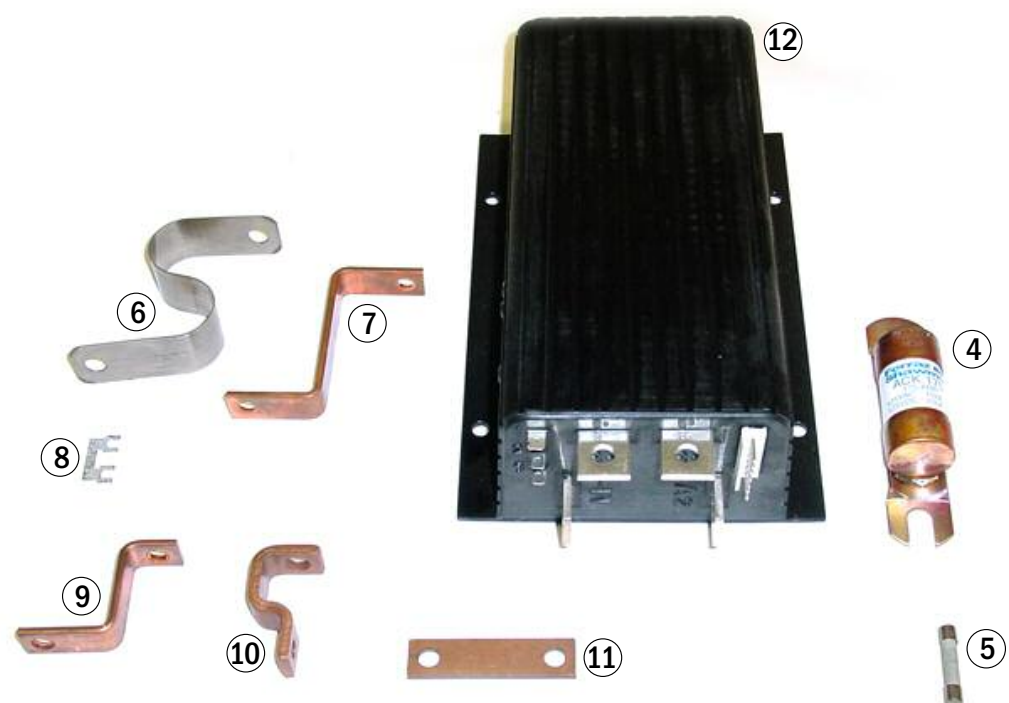
**Contactor Panel - Transistor (Curtis)**



**Contactor Panel - Transistor (Curtis)**

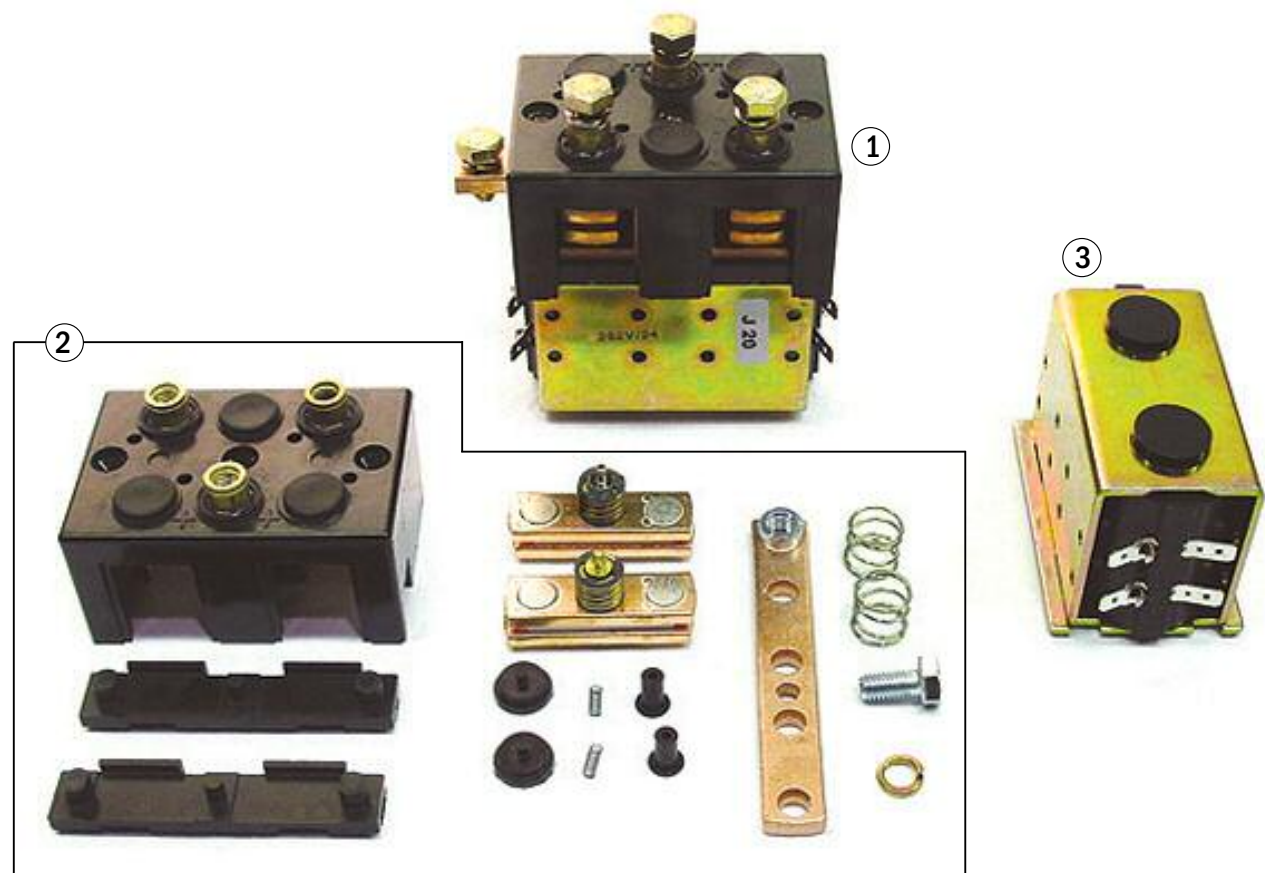
Item	Part No.	Description	Application
1	CR 116794-002	Contactor	forward and reverse
2	CR 116794-002-KIT	Contactor Kit	incl. tips & tops
3	CR 117156	Coil, 24V	
4	CR 076924-006	Fuse, 175A	
5	CR 094362-002	Fuse, 15A	
6	CR 116594	Resistor	
7	CR 116550	Bus bar	
8	CR 112230	Bus bar	
9	CR 116596	Bus bar	
10	CR 116798	Bus bar	
11	CR 116595	Bus bar	
12	CR 123813-R	Controller - rebuilt*	Curtis
	CR 123813-C	Core deposit	

\* Pricing based on return of rebuildable core.





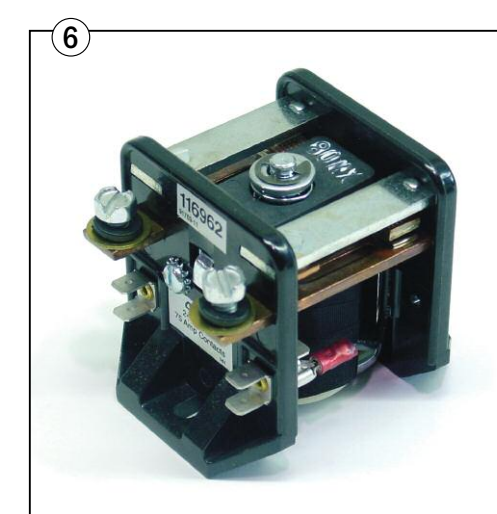
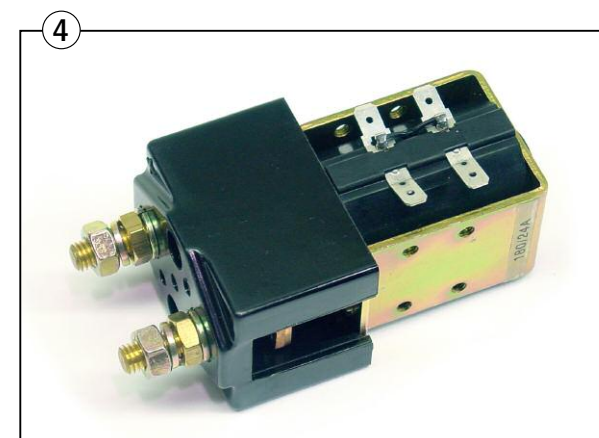
**Contactor Panel - Transistor (SEVCON)**



**Contactor Panel - Transistor (SEVCON)**

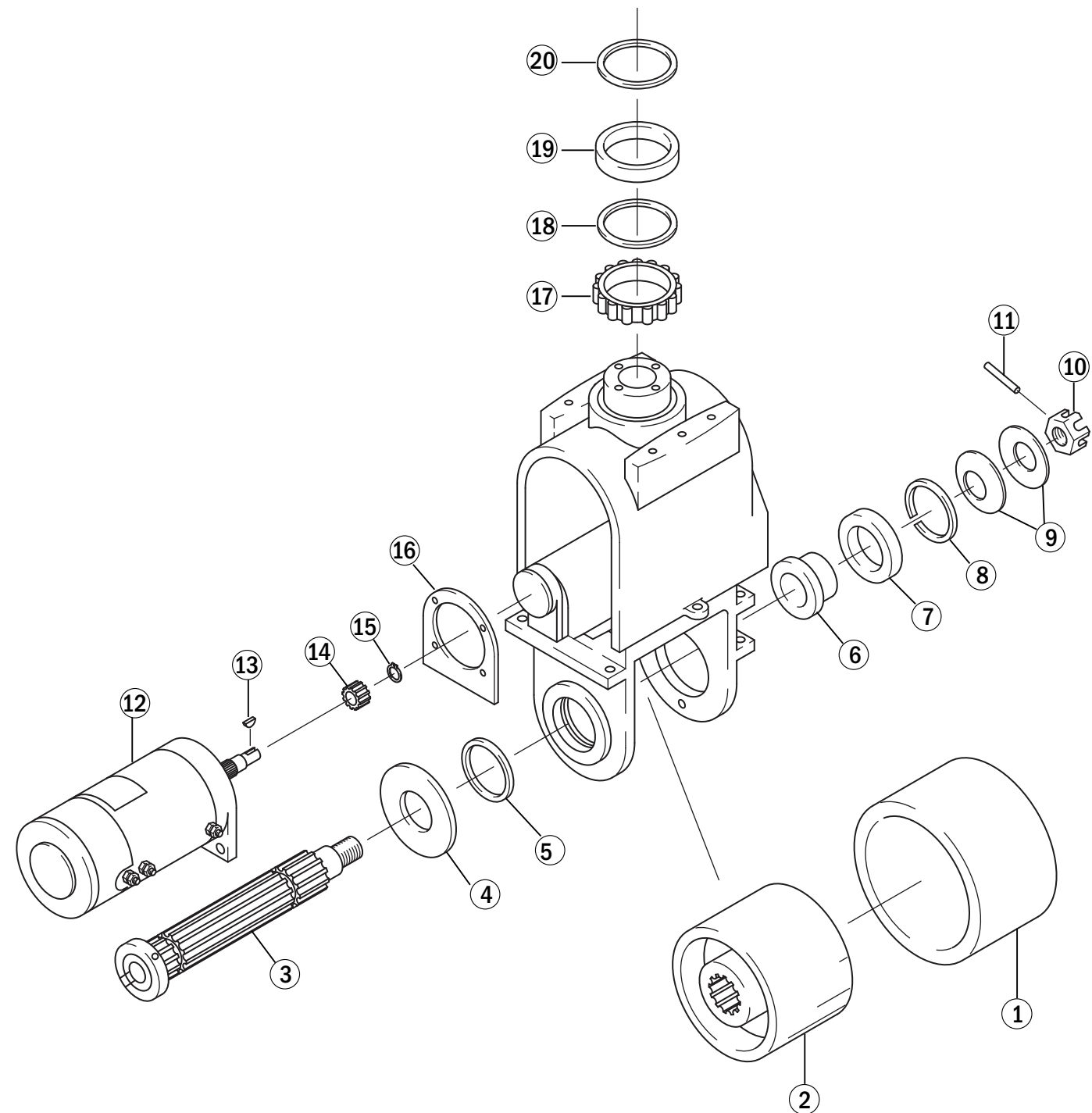
Item	Part No.	Description	Application
1	CR 116794-002	Contactors	forward and reverse
2	CR 116794-002-KIT	Contactors Kit	incl. tips & tops
3	CR 117156	Coil, 24V	
4	CR 110613-001	Contactors	
5	CR 120091	Contact tip Kit	
6	CR 116962	Contactors FW	High speed option
7	CR 076924-006	Fuse, 175A	
8	CR 094362-002	Fuse, 15A	
9	CR 112230	Bus bar	
10	CR 116798	Bus bar	
11	CR 116550	Bus bar	
12	CR 116594	Resistor	
13	CR 121824-R CR 121824-C	Controller - rebuilt* Core deposit	Sevcon

\* Pricing based on return of rebuildable core.





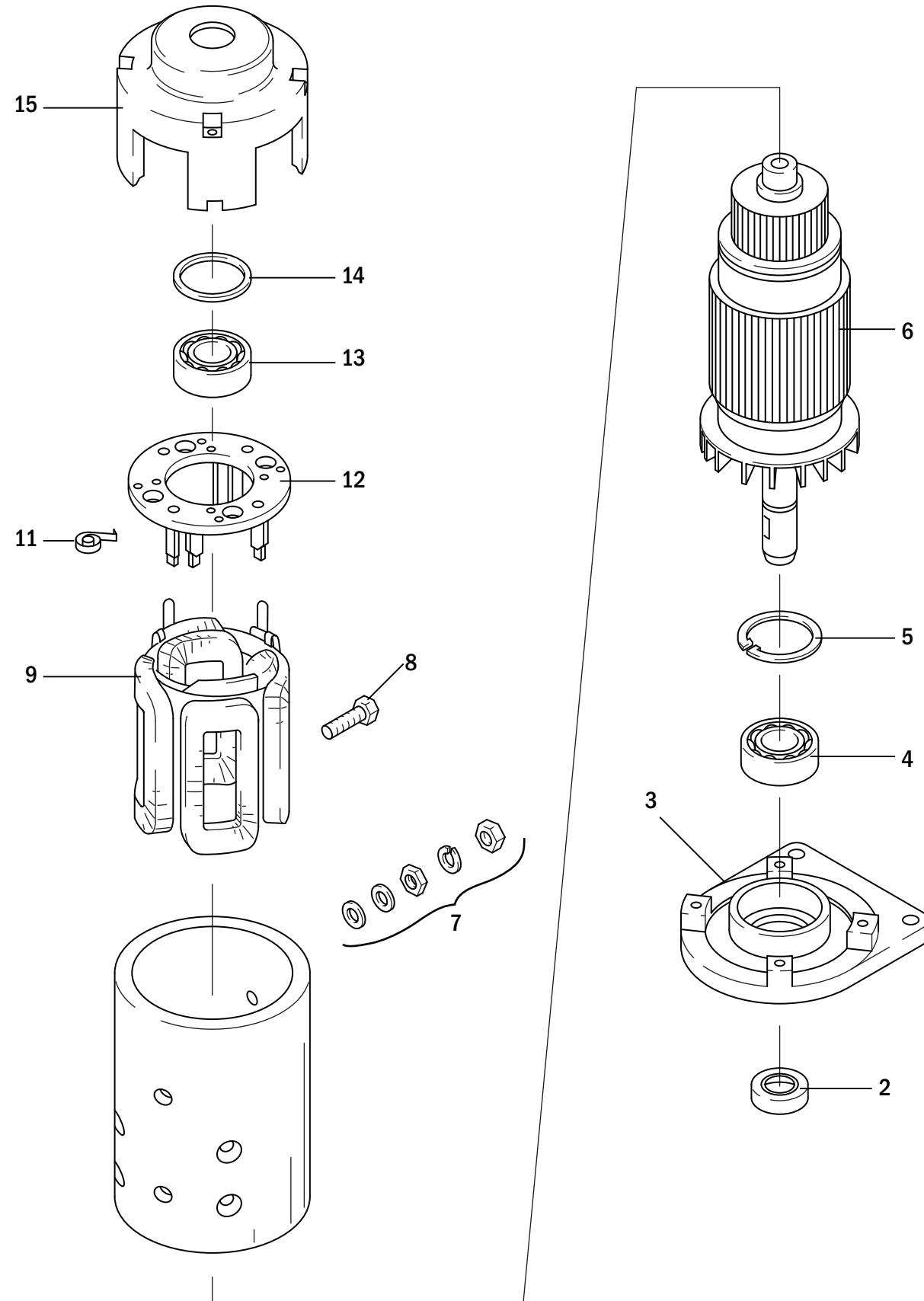
**Drive Unit**



**Drive Unit**

Item	Part No.	Description	Application
1	CR 79494	Poly drive tire	13" x 4.5" x 8"
	SU 13x4.5x8-FT-P	Poly drive tire	95-A, smooth flat
	SU 13x4.5x8-SC-EZ	Poly drive tire	85-A, smooth Crown
	SU 13x4.5x8-SC-XL	Poly drive tire	97-A, smooth Crown
	FL T1126	Poly drive tire	90-A, smooth flat
	CR 74458	Rubber drive tire	13.5" x 5.5" x 8"
	SU 13.5x5.5x8-SF-R	Rubber drive tire	Smooth, flat
	FL RT133	Rubber drive tire	Smooth, flat
2	CR 113361	Drive Wheel hub	8" x 5.5"
3	CR 113356	Drive axle	
4	CR 90724	Slinger	
5	CR 93613	Oil Seal	
6	CR 113359-001	Adaptor bearing	
7	CR 65081-055	Ball bearing	
8	CR 60009-040	Retaining ring	
9	CR 113367	Beveled washer	
10	CR 60021-039	Nut	
11	CR 60000-022	Roll pin	
12	CR 20168	Drive motor - Generic	(see drive motor section for replacement parts)
13	CR 61008-002	Woodruff key	
14	CR 74784	Pinion gear	
	CR 79497	Pinion gear	w/high speed option
15	CR 60009-011	Retaining ring	
16	CR 73432	Gasket	
17	CR 77015	Bearing cone	
18	CR 73817	Felt seal	
19	CR 77014	Bearing cup	
20	CR 73818	Felt seal	

**Drive Motor**



**Drive Motor**

Item	Part No.	Description	Application
1	CR 20168	Drive Motor - Generic	OEM Motor parts
2	CR 78499	Oil seal	OEM Motor parts
3	CR 20157	Head	OEM Motor parts
4	CR 65081-052	Bearing	OEM Motor parts
5	CR 60009-144	Retaining ring	OEM Motor parts
6	CR 20167	Armature	OEM Motor parts
7	CR 113327	Terminal stud kit	OEM Motor parts
8	CR 60078-003	Screw	OEM Motor parts
9	CR 20165	Field coil	OEM Motor parts
10	CR 113328	Brush set (4)	OEM Motor parts
11	CR 113329	Spring set (4)	OEM Motor parts
12	CR 20018	Brush holder	OEM Motor parts
13	CR 65081-051	Bearing	OEM Motor parts
14	CR 60046-016	Washer spring	OEM Motor parts
15	CR 20004	Communtator end head	OEM Motor parts

**Drive Unit - Brakes**

1 - Switch



2 - Brake shoe



3 - Brake drum

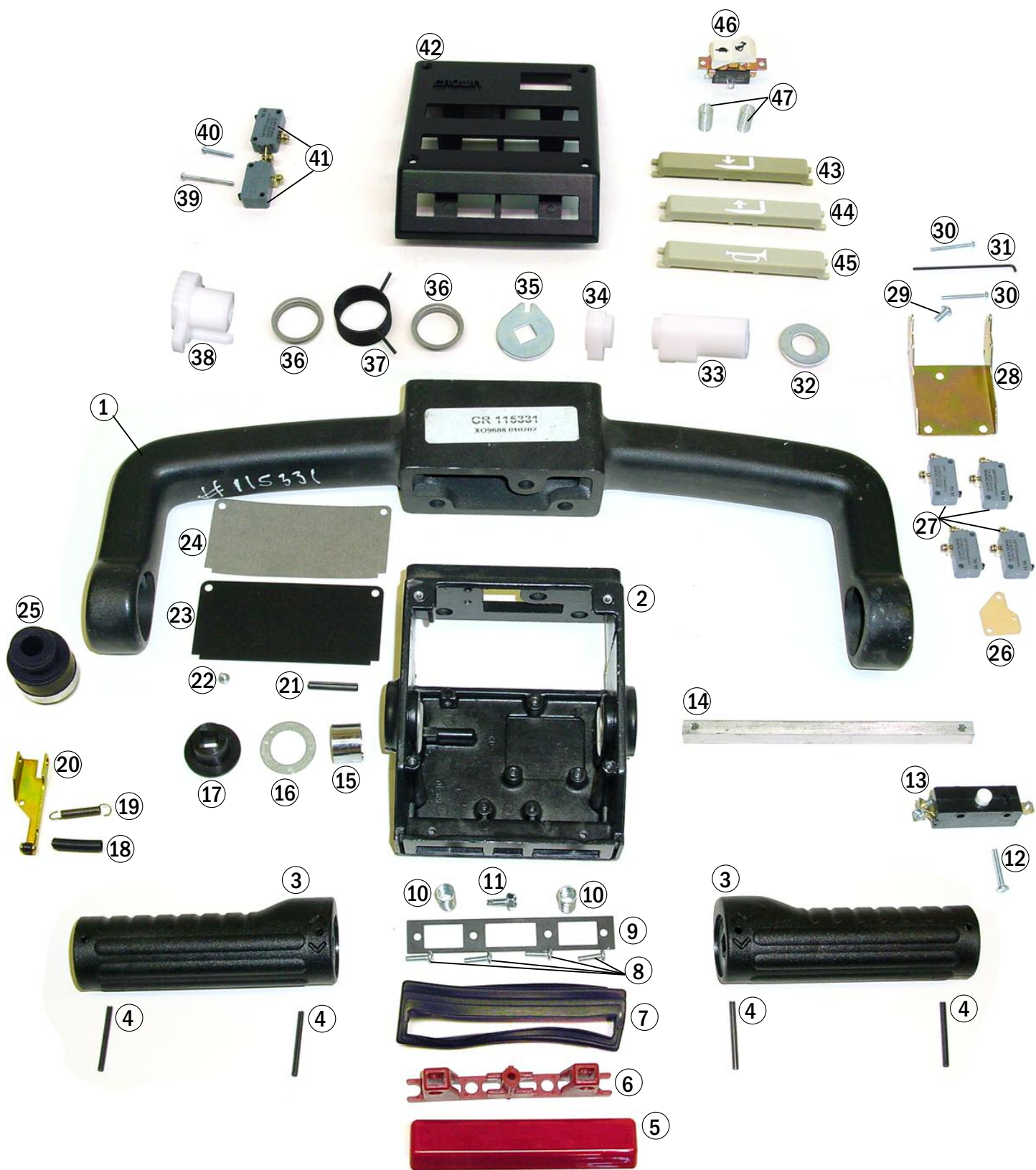


**Drive Unit - Brakes**

Item	Part No.	Description	Application
1	CR 73374	Switch	
2	CR 109597	Brake shoe	non-asbestos
3	CR 80968	Brake drum	



**Resistor Control Pod**



**Resistor Control Pod**

Item	Part No.	Description	Item	Part No.	Description
1	CR 115331	Yoke	38	CR 089350	Stop
2	CR 089317	Pod	39	CR 060011-027	Screw #4
3	CR 115675	Grip	40	CR 060011-021	Screw #4
4	CR 060000-108	Roll pin	41	CR 089362	Switch
5	CR 093904-001	Cap button	42	CR 088753-001	Cover unit
6	CR 089324-001	Red body button	43	CR 117267-002	Lower button
7	CR 088975	Bellow	44	CR 117267-001	Raise button
8	CR 060032-035	Self tapping screw	45	CR 117267-003	Horn button
9	CR 093068	Retainer	46	CR 117268	Switch 3rd speed
10	CR 080695	Spring	47	CR 073384	Spring
11	CR 060032-032	Self tapping screw			
12	CR 060012-023	Screw #6			
13	CR 073375	Switch			
14	CR 089521	Bar			
15	CR 092224	Split bushing			
16	CR 060030-163	Flat washer			
17	CR 089510	Bushing			
18	CR 065003-017	Sleeving			
19	CR 073371	Spring			
20	CR 092586	Arm detent			
21	CR 060000-075	Roll pin			
22	CR 060032-037	Self tapping screw			
23	CR 087144	Cover			
24	CR 114003	Insulator			
25	CR 116329	Extension			
26	CR 089342	Spacer			
27	CR 089362	Switch			
28	CR 089336	Bracket			
29	CR 060014-006	Screw #10			
30	CR 060011-022	Screw #4			
31	CR 089298-002	Rod			
32	CR 060030-190	Flatwasher .03" thick			
33	CR 089356	Cam			
34	CR 089543	Cam			
35	CR 089514	Plate			
36	CR 088611-002	Collar			
37	CR 089360	Torsion Spring			



**Resistor - Quickpick**



**Resistor - Quickpick**

Item	Part No.	Description	Item	Part No.	Description
1	CR 113387	Yoke	39	CR 113352	Switch
2	CR 089317	Pod	40	CR 089336	Bracket
3	CR 115675	Grip	41	CR 060014-006	Screw #10
4	CR 060000-108	Roll pin	42	CR 060011-022	Screw #4
5	CR 093904-001	Cap button	43	CR 089298-002	Rod
6	CR 089324-001	Red body button	44	CR 060030-190	Flatwasher .03" thick
7	CR 088975	Bellow	45	CR 089356	Cam
8	CR 060032-035	Self tapping screw	46	CR 089543	Cam
9	CR 093068	Retainer	47	CR 089514	Plate
10	CR 080695	Spring	48	CR 088611-002	Collar
11	CR 060032-032	Self tapping screw	49	CR 089360	Torsion spring
12	CR 060012-023	Screw #6	50	CR 089350	Stop
13	CR 073375	Switch	51	CR 118901	Switch
14	CR 089521	Bar	52	CR 088753-003	Cover
15	CR 092224	Split bushing	53	CR 117267-002	Lower button
16	CR 060030-163	Flat washer	54	CR 117267-001	Raise button
17	CR 089510	Bushing	55	CR 117267-003	Horn button
18	CR 087144	Cover	56	CR 73384	Spring
19	CR 114003	Insulator	57	CR 092586	Arm detent
20	CR 060032-037	Self tapping screw	58	CR 073371	Spring
21	CR 060000-075	Roll pin	59	CR 065003-017	Sleeving
22	CR 113425-001	Cover, left			
23	CR 113425-002	Cover, right			
24	CR 117269	Outer Button			
25	CR 108693	Spring			
26	CR 089362	Switch			
27	CR 089362	Switch			
28	CR 113432	Insulator			
29	CR 113434	Insulator			
30	CR 060045-020	Shoulder belt			
31	CR 117270	Button			
32	CR 073384	Spring			
33	CR 115676	Extension			
34	CR 113431	Insulator			
35	CR 113433	Insulator			
36	CR 089362	Switch			
37	CR 089362	Switch			
38	CR 089342	Spacer			



**Resistor - Freezer Corrosion**



**Resistor - Freezer Corrosion**

Item	Part No.	Description	Item	Part No.	Description
1	CR 115331	Yoke	38	CR 089543	Cam
2	CR 089317	Pod	39	CR 089514	Plate
3	CR 115675	Grip	40	CR 088611-002	Collar
4	CR 060000-108	Roll pin	41	CR 089360	Torsion spring
5	CR 093904-001	Cap button	42	CR 089350	Stop
6	CR 089324-001	Red button body	43	CR 101589	Switch, horn
7	CR 088975	Bellow	44	CR 078879	Switch, lower and raise
8	CR 060032-035	Self tapping screw	45	CR 102525-001	Cover
9	CR 093068	Retainer	46	CR 075585	Seal
10	CR 080695	Spring	47	CR 077635	Adaptor
11	CR 060032-032	Self tapping screw	48	CR 077633	Toggle switch
12	CR 060012-023	Screw #6			
13	CR 073375	Switch			
14	CR 93887	Bracket mounting			
15	CR 062033-013	Resistor			
16	CR 089521	Bar			
17	CR 092224	Split bushing			
18	CR 060030-163	Flat washer			
19	CR 089510	Bushing			
20	CR 073371	Spring			
21	CR 065003-017	Sleeving			
22	CR 092586	Arm detent			
23	CR 060000-075	Roll pin			
24	CR 060032-037	Self tapping screw			
25	CR 087144	Cover			
26	CR 114003	Insulator			
27	CR 116329	Extension			
28	CR 089342	Spacer			
29	CR 089362	Switch			
30	CR 089336	Bracket			
31	CR 060014-006	Screw #10			
32	CR 060011-022	Screw #4			
33	CR 089298-002	Rod			
34	CR 062033-013	Resistor, 24V			
35	CR 093492-001	Bracket			
36	CR 060030-190	Flatwasher, .03" thick			
37	CR 089356	Cam			



**Resistor Quickpick - Freezer Corrosion**

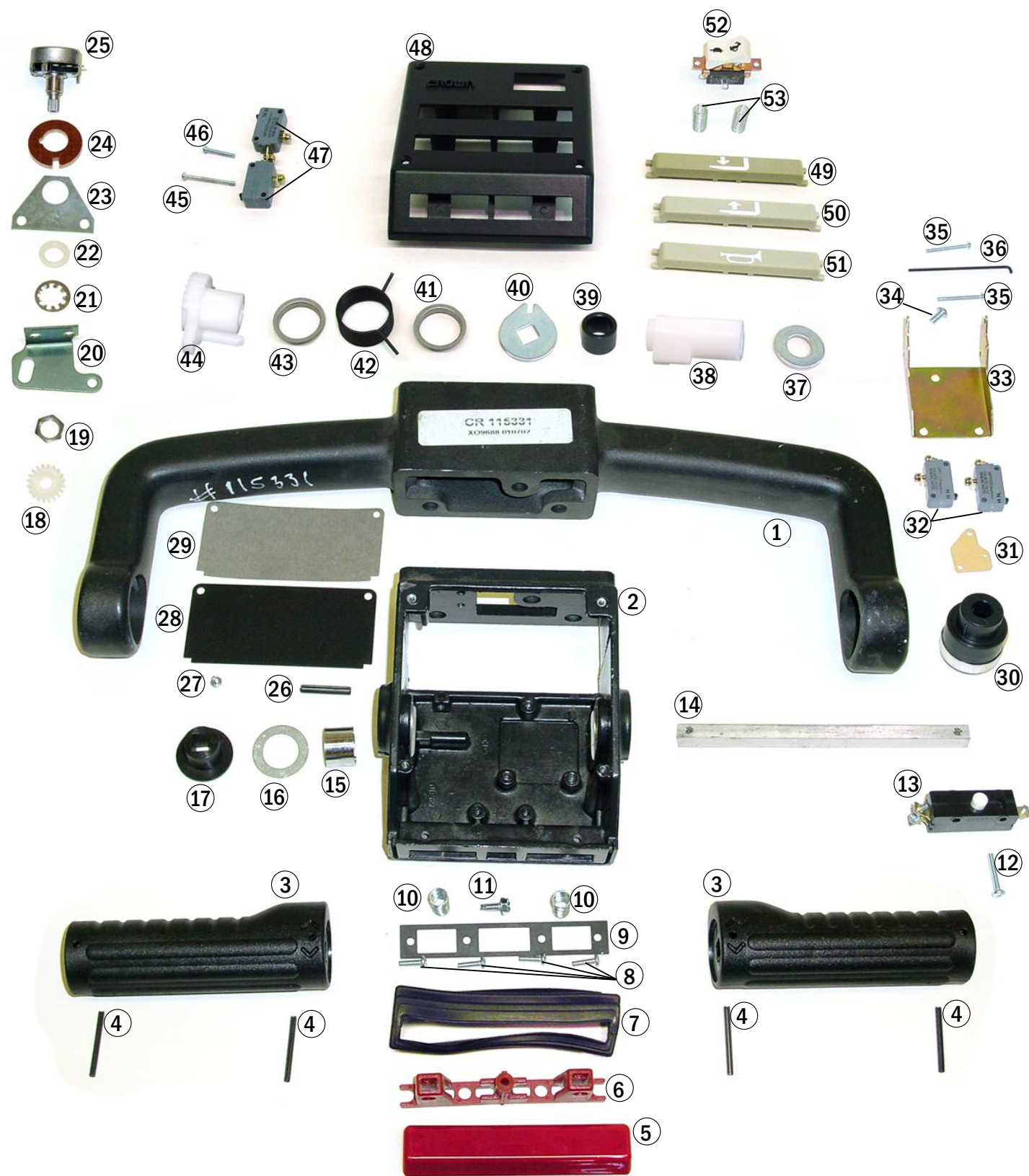


**Resistor Quickpick - Freezer Corrosion**

Item	Part No.	Description	Item	Part No.	Description
1	CR 113387	Yoke	39	CR 089362	Switch
2	CR 089317	Pod	40	CR 089342	Spacer
3	CR 115675	Grip	41	CR 089362	Switch
4	CR 060000-108	Roll pin	42	CR 089336	Bracket
5	CR 093904-001	Cap button	43	CR 060014-006	Screw #10
6	CR 089324-001	Red body button	44	CR 060011-022	Screw #4
7	CR 088975	Bellow	45	CR 089298-002	Rod
8	CR 060032-035	Self tapping screw	46	CR 093492-001	Bracket
9	CR 093068	Retainer	47	CR 062033-013	Resistor
10	CR 080695	Spring	48	CR 060030-190	Flatwasher, .03" thick
11	CR 060032-032	Self tapping screw	49	CR 089356	Cam
12	CR 060012-023	Screw #6	50	CR 089543	Cam
13	CR 073375	Switch	51	CR 089514	Plate
14	CR 093887	Mounting bracket	52	CR 088611-002	Collar
15	CR 062033-013	Resistor	53	CR 089360	Torsion spring
16	CR 089521	Bar	54	CR 089350	Stop
17	CR 092224	Split bushing	55	CR 073371	Spring
18	CR 060030-163	Flat washer	56	CR 065003-017	Sleeving
19	CR 089510	Bushing	57	CR 092586	Arm detent
20	CR 087144	Cover	58	CR 101589	Horn switch
21	CR 114003	Insulator	59	CR 078879	Switch
22	CR 060032-037	Self tapping screw	60	CR 102525-002	Cover
23	CR 060000-075	Roll pin	61	CR 075585	Seal
24	CR 113425-001	Cover, left	62	CR 077635	Adaptor
25	CR 113425-002	Cover, right			
26	CR 117269	Outer button			
27	CR 108693	Spring			
28	CR 089362	Switch			
29	CR 089362	Switch			
30	CR 113432	Insulator			
31	CR 113434	Insulator			
32	CR 060045-020	Shoulder bolt			
33	CR 117270	Button			
34	CR 073384	Spring			
35	CR 115676	Extension			
36	CR 113431	Insulator			
37	CR 113433	Insulator			
38	CR 089362	Switch			



**Transistor Control Pod**



**Transistor Control Pod**

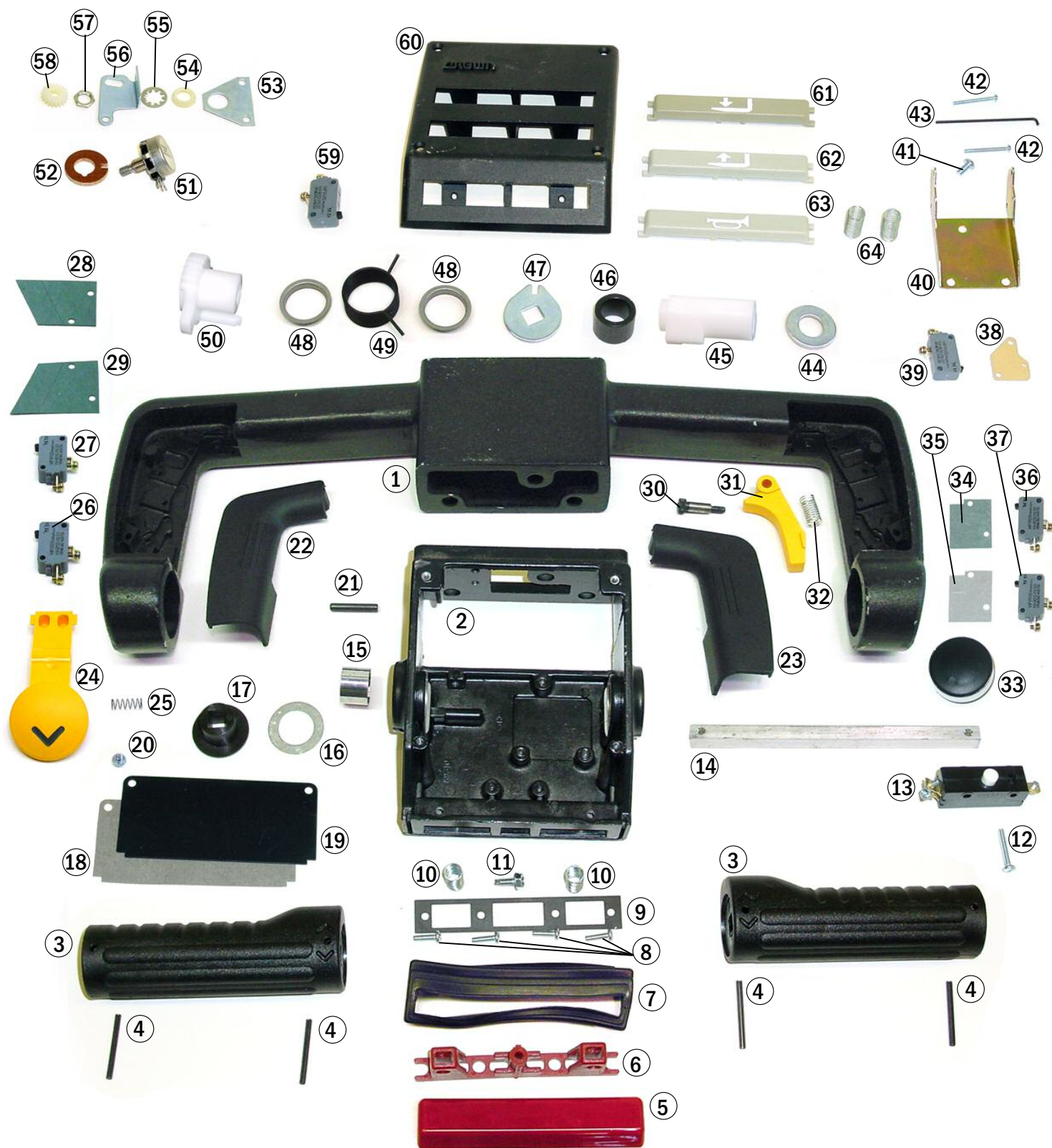
Item	Part No.	Description	Item	Part No.	Description
1	CR 115331	Yoke	38	CR 089356	Cam
2	CR 089317	Pod	39	CR 089548	Spacer
3	CR 115675	Grip	40	CR 089514	Plate
4	CR 060000-108	Roll pin	41	CR 088611-002	Collar
5	CR 093904-001	Cap button	42	CR 089360	Torsion spring
6	CR 089324-001	Red body button	43	CR 088611-002	Collar
7	CR 088975	Bellows	44	CR 089350	Stop
8	CR 060032-035	Self tapping screw	45	CR 060011-027	Screw #4
9	CR 093068	Retainer	46	CR 060011-021	Screw #4
10	CR 080695	Spring	47	CR 089362	Switch
11	CR 060032-032	Self tapping screw	48	CR 088753-001	Cover unit
12	CR 060012-023	Screw #6	49	CR 117267-002	Lower button
13	CR 073375	Switch	50	CR 117267-001	Raise button
14	CR 089521	Bar	51	CR 117267-003	Horn button
15	CR 092224	Split bushing	52	CR 117268	Switch 3rd speed
16	CR 060030-163	Flat washer	53	CR 073384	Spring
17	CR 089510	Bushing			
18	CR 080275	Pinion			
19	CR 060021-010	Nut			
20	CR 089532	Bracket			
21	CR 060005-010	Lockwasher			
22	CR 076649-002	Insulator			
23	CR 089529	Plate			
24	CR 089549	Insulator			
25	CR 079019	Potentiometer, Accelerate			
26	CR 060000-075	Roll pin			
27	CR 060032-037	Self tapping screw			
28	CR 087144	Cover			
29	CR 114003	Insulator			
30	CR 116329	Extension			
31	CR 089342	Spacer			
32	CR 089362	Switch			
33	CR 089336	Bracket			
34	CR 060014-006	Screw #10			
35	CR 060011-022	Screw #4			
36	CR 089298-002	Rod			
37	CR 060030-190	Flatwasher, .03" thick			

For current prices call us at 800-331-0839 or log into your account at www.GenericParts.com

All prices are F.O.B. shipping point and subject to change. All manufacturers' names, part numbers and descriptions are used for reference purposes only. We do not imply that any parts are the products of a particular manufacturer. Copyright © 2006 by GPS, Inc. All rights reserved.



**Transistor - Quickpick**



**Transistor - Quickpick**

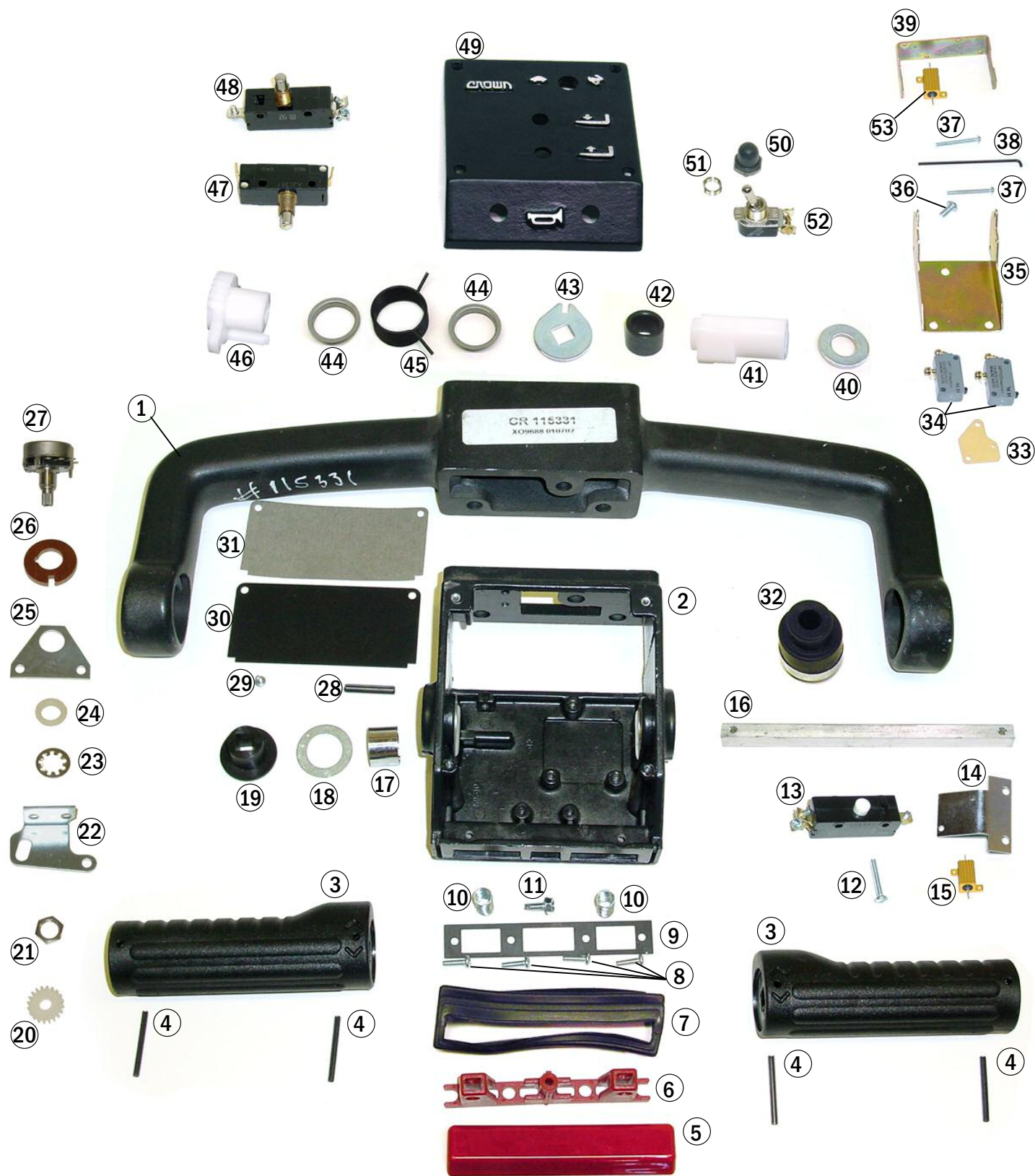
Item	Part No.	Description	Item	Part No.	Description
1	CR 113387	Yoke	39	CR 113352	Switch
2	CR 089317	Pod	40	CR 089336	Bracket
3	CR 115675	Grip	41	CR 060014-006	Screw #10
4	CR 060000-108	Roll pin	42	CR 060011-022	Screw #4
5	CR 093904-001	Cap button	43	CR 089298-001	Rod
6	CR 089324-001	Red body button	44	CR 060030-190	Flatwasher
7	CR 088975	Bellow	45	CR 089356	Cam
8	CR 060032-035	Self tapping screw	46	CR 089548	Spacer
9	CR 093068	Retainer	47	CR 089514	Plate
10	CR 080695	Spring	48	CR 088611-002	Collar
11	CR 060032-032	Self tapping screw	49	CR 089360	Torsion spring
12	CR 060012-023	Screw #6	50	CR 089509	Stop
13	CR 073375	Switch	51	CR 079019	Potentiometer
14	CR 089521	Bar	52	CR 089549	Insulator
15	CR 092224	Split bushing	53	CR 089529	Plate
16	CR 060030-163	Flat washer	54	CR 076649-002	Insulator
17	CR 089510	Bushing	55	CR 060005-010	Lockwasher
18	CR 087144	Cover	56	CR 089532	Bracket
19	CR 114003	Insulator	57	CR 060021-010	Nut
20	CR 060032-037	Self tapping screw	58	CR 080275	Pinion
21	CR 060000-075	Roll pin	59	CR 118901	Switch
22	CR 113425-001	Cover, left	60	CR 088753-003	Cover
23	CR 113425-002	Cover, right	61	CR 117267-002	Lower button
24	CR 117269	Outer button	62	CR 117267-001	Raise button
25	CR 108693	Spring	63	CR 117267-003	Horn button
26	CR 089362	Switch	64	CR 073384	Spring
27	CR 089362	Switch			
28	CR 113432	Insulator			
29	CR 113434	Insulator			
30	CR 060045-020	Shoulder bolt			
31	CR 117270	Button			
32	CR 073384	Spring			
33	CR 115676	Extension			
34	CR 113431	Insulator			
35	CR 113433	Insulator			
36	CR 089362	Switch			
37	CR 089362	Switch			
38	CR 089342	Spacer			

For current prices call us at 800-331-0839 or log into your account at www.GenericParts.com

All prices are F.O.B. shipping point and subject to change. All manufacturers' names, part numbers and descriptions are used for reference purposes only. We do not imply that any parts are the products of a particular manufacturer. Copyright © 2006 by GPS, Inc. All rights reserved.



**Transistor - Freezer Corrosion**

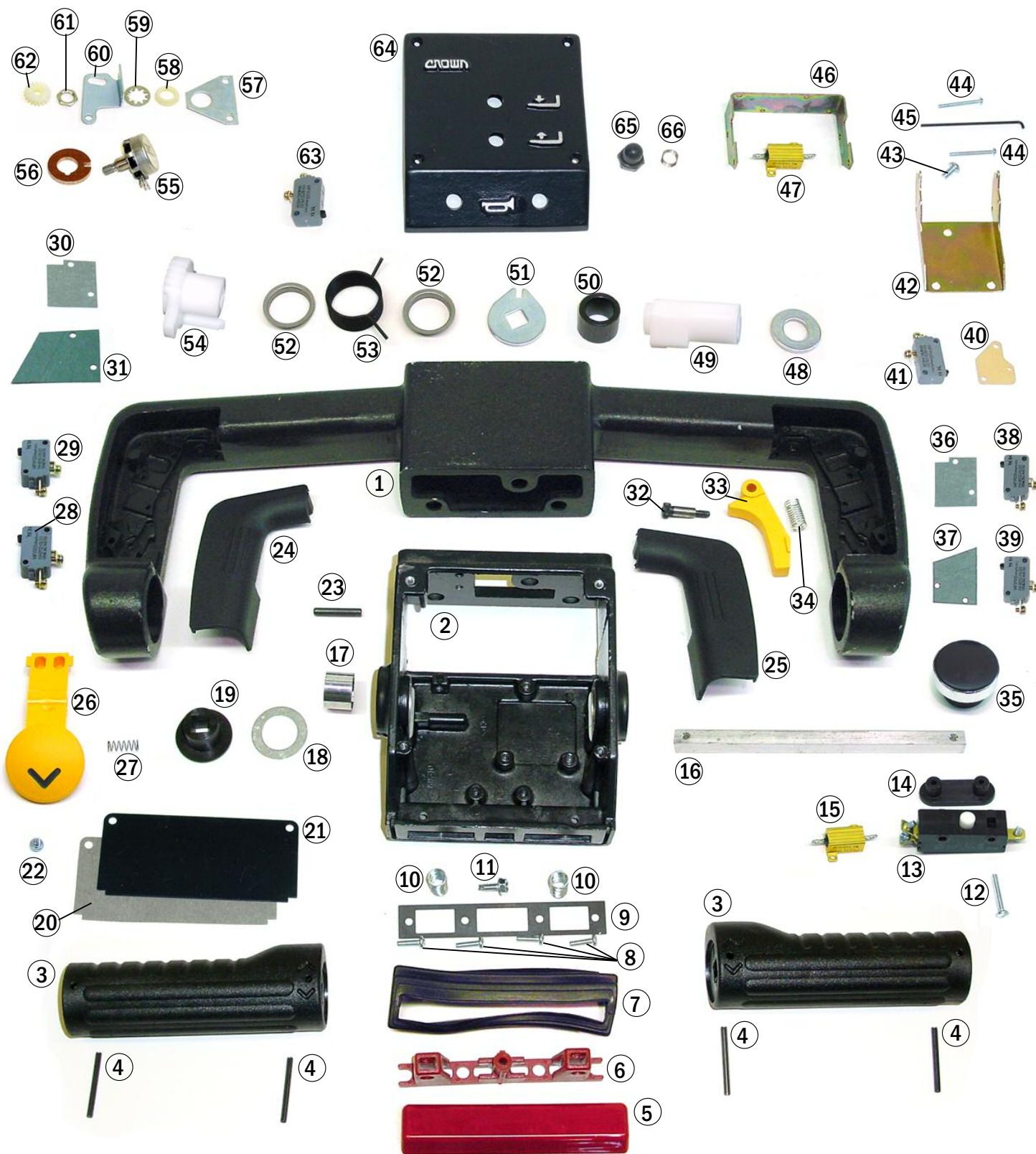


**Transistor - Freezer Corrosion**

Item	Part No.	Description	Item	Part No.	Description
1	CR 115331	Yoke	39	CR 093492-001	Bracket
2	CR 089317	Pod	40	CR 060030-190	Flatwasher
3	CR 115675	Grip	41	CR 089356	Cam
4	CR 060000-108	Roll pin	42	CR 089548	Spacer
5	CR 093904-001	Cap button	43	CR 089514	Plate
6	CR 089324-001	Red button body	44	CR 088611-002	Collar
7	CR 088975	Bellow	45	CR 089360	Torsion spring
8	CR 060032-035	Self tapping screw	46	CR 089509	Stop
9	CR 093068	Retainer	47	CR 101589	Switch horn
10	CR 080695	Spring	48	CR 078879	Switch, lower and raise
11	CR 060032-032	Self tapping screw	49	CR 102525-001	Cover
12	CR 060012-023	Screw #6	50	CR 075585	Seal
13	CR 073375	Switch	51	CR 077635	Adaptor
14	CR 93887	Bracket mounting	52	CR 077633	Toggle switch
15	CR 062033-013	Resistor	53	CR 062033-013	Resistor
16	CR 089521	Bar			
17	CR 092224	Split bushing			
18	CR 060030-163	Flatwasher			
19	CR 089510	Bushing			
20	CR 080275	Pinion			
21	CR 060021-010	Nut			
22	CR 089532	Bracket			
23	CR 060005-010	Lockwasher			
24	CR 076649-002	Insulator			
25	CR 089529	Plate			
26	CR 089549	Insulator			
27	CR 079019	Potentiometer			
28	CR 060000-075	Roll pin			
29	CR 060032-037	Self tapping screw			
30	CR 087144	Cover			
31	CR 114003	Insulator			
32	CR 116329	Extension			
33	CR 089342	Spacer			
34	CR 118901	Switch			
35	CR 089336	Bracket			
36	CR 060014-006	Screw #10			
37	CR 060011-021	Screw #4			
38	CR 089298-002	Rod			



**Transistor Quickpick - Freezer Corrosion**



**Transistor Quickpick - Freezer Corrosion**

Item	Part No.	Description	Item	Part No.	Description
1	CR 113387	Yoke	39	CR 089362	Switch
2	CR 089317	Pod	40	CR 089342	Spacer
3	CR 115675	Grip	41	CR 113352	Switch
4	CR 060000-004	Roll pin	42	CR 089336	Bracket
5	CR 093904-001	Cap button	43	CR 060014-006	Screw #10
6	CR 089324-001	Red body button	44	CR 060011-021	Screw #4
7	CR 088975	Bellows switch	45	CR 089298-002	Rod
8	CR 060032-035	Self tapping screw	46	CR 093492-002	Bracket
9	CR 093068	Retainer	47	CR 092874	Resistor
10	CR 080695	Spring	48	CR 060030-190	Flatwasher
11	CR 060032-032	Self tapping screw	49	CR 089356	Cam
12	CR 060012-023	Screw #6	50	CR 089548	Spacer
13	CR 073375	Switch	51	CR 089514	Plate
14	CR 093887	Mounting bracket	52	CR 088611-002	Collar
15	CR 092874	Resistor	53	CR 089360	Torsion spring
16	CR 089521	Bar	54	CR 089509	Stop
17	CR 092224	Split bushing	55	CR 079019	Potentiometer
18	CR 060030-163	Flatwasher	56	CR 089549	Insulator
19	CR 089510	Bushing	57	CR 089529	Plate
20	CR 087144	Cover	58	CR 076649-002	Insulator
21	CR 114003	Insulator	59	CR 060005-010	Lockwasher
22	CR 060032-037	Self tapping screw	60	CR 089532	Bracket
23	CR 060000-075	Roll pin	61	CR 060021-010	Nut
24	CR 113425-001	Cover, left	62	CR 080275	Pinion
25	CR 113425-002	Cover, right	63	CR 078879	Switch, lower & raise
26	CR 117269	Outer button		CR 101589	Switch, horn
27	CR 108693	Spring	64	CR 102525-002	Cover
28	CR 089362	Switch	65	CR 075585	Seal
29	CR 089362	Switch	66	CR 077635	Adaptor
30	CR 113432	Insulator			
31	CR 113434	Insulator			
32	CR 060045-020	Shoulder bolt			
33	CR 117270	Button, inner			
34	CR 073384	Spring			
35	CR 115676	Extension			
36	CR 113431	Insulator			
37	CR 113433	Insulator			
38	CR 089362	Switch			



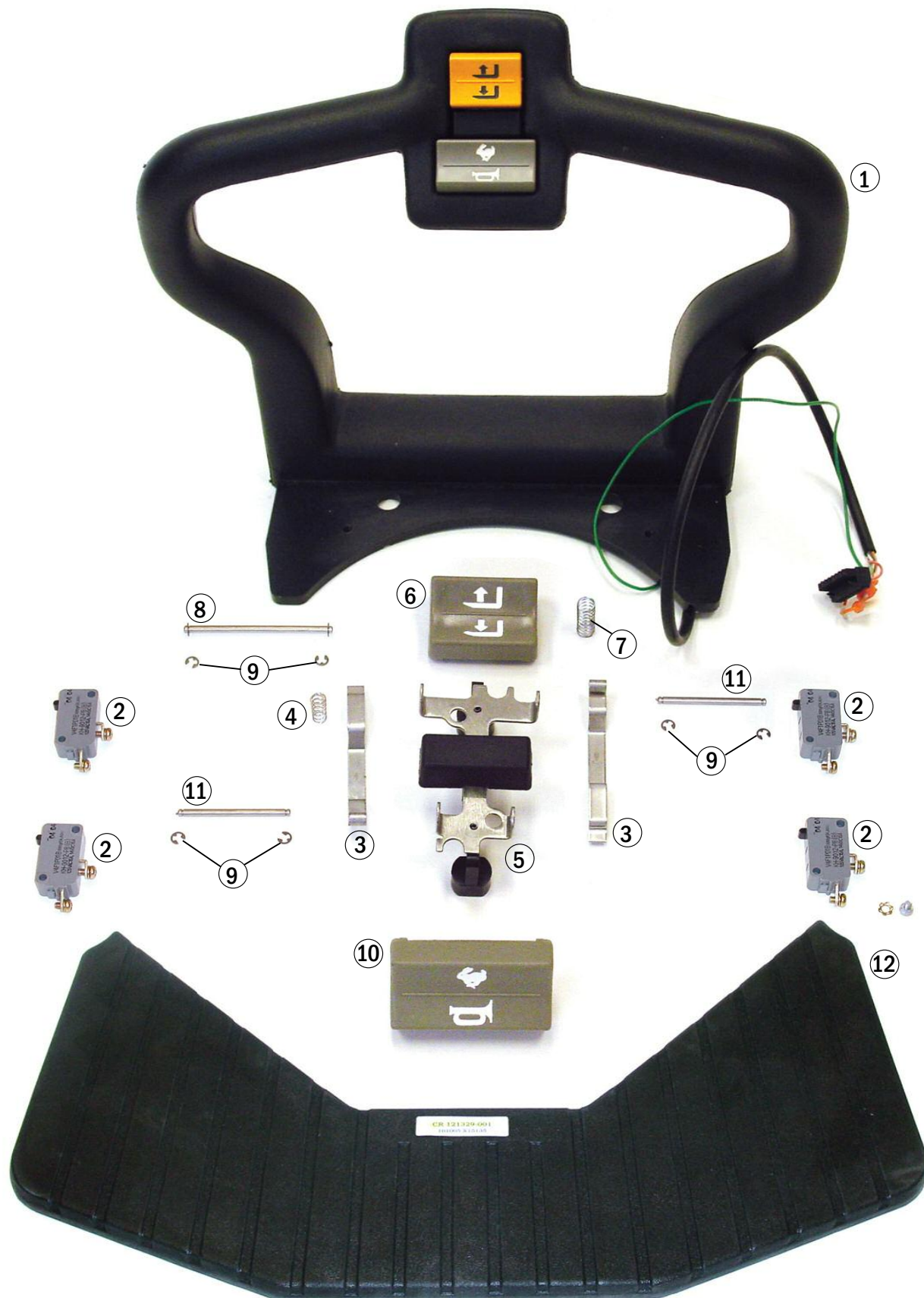
**Handle Control Arm**



**Handle Control Arm**

Item	Part No.	Description	Application
1	CR 115270	Handle control arm	
	CR 115269	Handle control arm	w/coast option
2	CR 74909	Handle return spring	2 required
3	CR 79791	Handle return spring	1 required
4	CR 73842	Handle bushing	2 required
5	CR 109528	Pivot shaft	
6	CR 115280	Cam	
7	CR 79564-009	Terminal block	
8	CR 116559	Control pod harness	Resistor Control
	CR 116476	Control pod harness	Resistor w/Quickpick
	CR 116560	Control pod harness	Resistor w/Freezer corrosion
	CR 116513	Control pod harness	Resistor w/QP and FC
	CR 116545	Control pod harness	Transistor (Curtis or Sevcon)
	CR 116546	Control pod harness	Transistor w/FC

**Control Handle Arm/Grab Bar**



**Control Handle Arm/Grab Bar**

Item	Part No.	Description	Application
1	CR 130641-001	Grab bar assembly	Resistor
	CR 130641-002	Grab bar assembly	Resistor, FC
	CR 130641-003	Grab bar assembly	Transistor
	CR 130641-004	Grab bar assembly	Transistor, FC
2	CR 89362	Switch	4 required
	CR 60064-003	Screw	
	CR 60005-036	Lockwasher	
3	CR 115407	Lever switch	
4	CR 115406	Spring	
5	CR 115402-001	Bracket	
6	CR 115408	Button, lift/lower	
7	CR 115405	Spring	
8	CR 115410-001	Button pin	
9	CR 60009-070	Retaining ring	
10	CR 115409	Button, horn/3rd speed	
11	CR 115410-002	Button pin	
12	CR 121329-001	Mat	
13	Not shown		
	CR 115412	Wiring Harness - grab bar to dist. panel	Curtis or Sevcon
	CR 115413	Wiring Harness - grab bar to dist. panel	Curtis or Sevcon with Freezer Corrosion
	CR 115916	Wiring Harness - grab bar to dist. panel	Resistor type



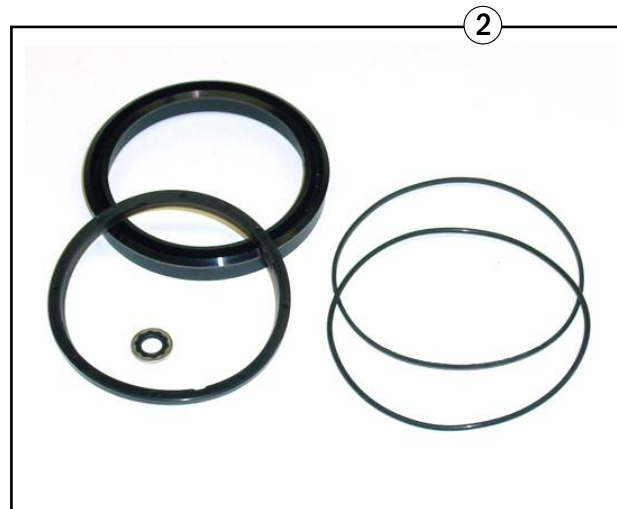
**Hydraulic Power Unit**



**Hydraulic Power Unit**

Item	Part No.	Description	Application
1	CR 116591	Pump and motor assembly	
2	CR 117492	Motor - Generic, 24V	Generic
	CR 116835	Brush holder	OEM motor only
	CR 103255	Brush spring	OEM motor only
	CR 116832	Brush set	OEM motor only
3	CR 84339	Check valve	
4	CR 084343	Starter switch	
5	CR 84344-001	Solenoid cartridge	Valve - 3way, 24V
6	CR 064013-001	Breather elbow	
7	CR 070550	Breather	
8	CR 064103-064	Hose assembly	
9	CR 64061-002	Elbow fitting	fits power unit
10	CR 64098-008	Elbow fitting	fits hydraulic cylinder
11	CR 117080	Relief valve Kit	
12	CR 084316	O-Ring	
13	CR 094544	Pump assembly	

**Lift Cylinder**

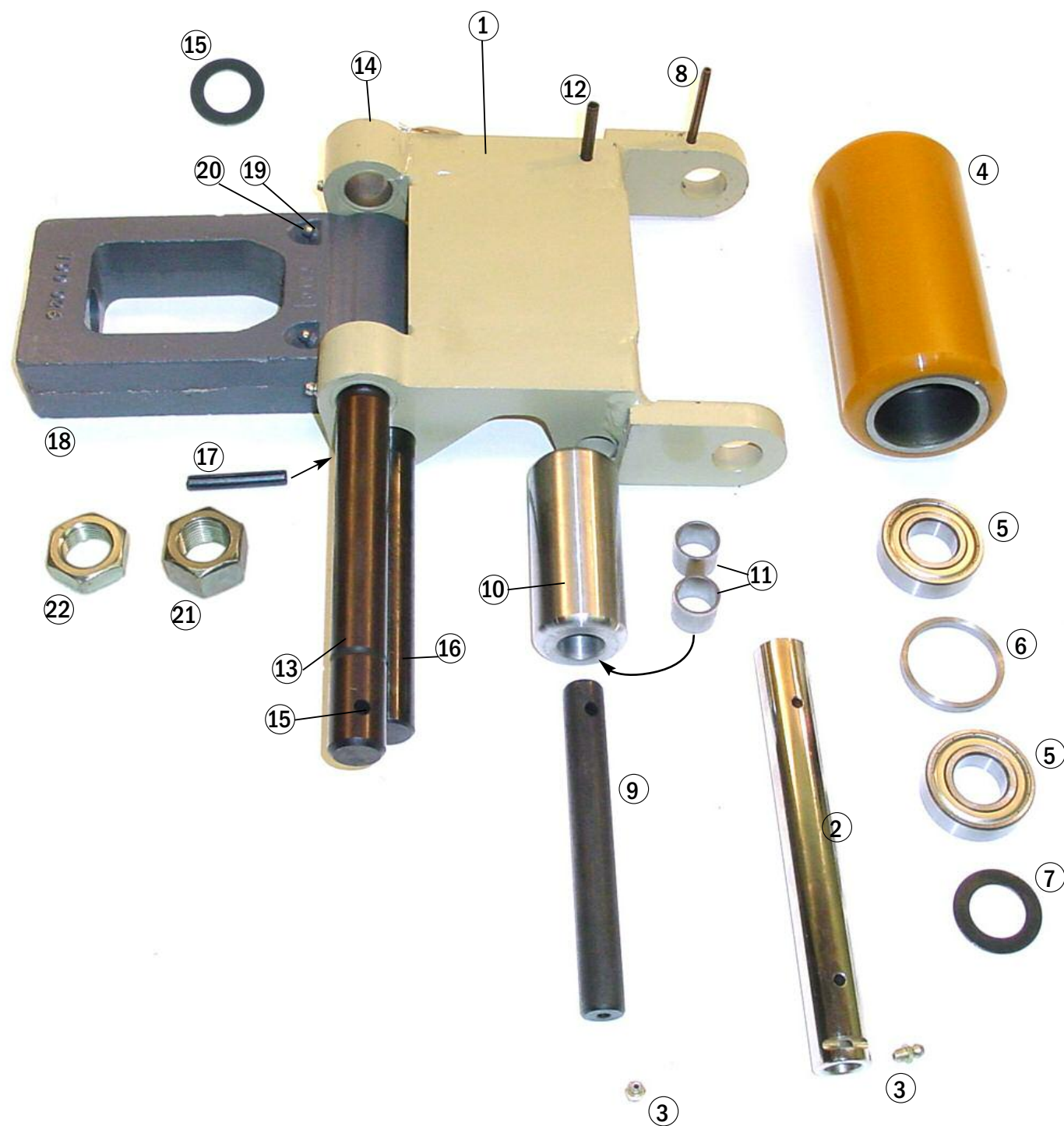


**Lift Cylinder**

Item	Part No.	Description	Application
1	CR 115218	Lift Cylinder Assembly	
2	CR 116820	Seal kit	



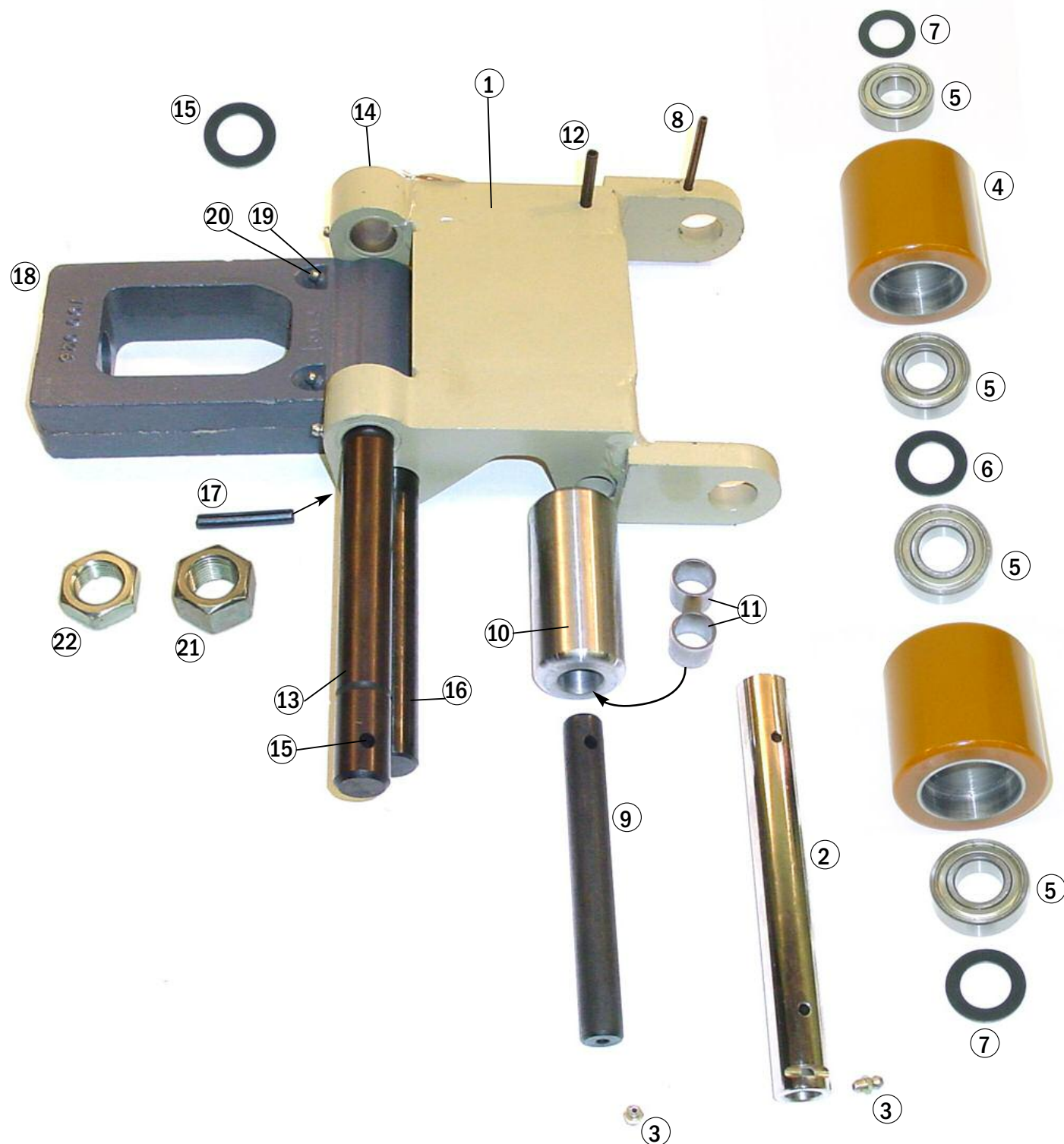
**Riser Assembly - 9" and 10" Forks - Single Wheel**



**Riser Assembly - 9" and 10" Forks - Single Wheel**

Item	Part No.	Description	Application
1	CR 115491	Riser	
2	CR 116802	Load roller axle	
3	CR 100779	Lube fitting	
4	CR 100462	Poly load wheel	Single load wheel
	GW 9141	Generic	Poly, 95-A
	GW 9141-A	Generic assembly	includes 4 bearings
	SU 9141	Superior	Poly, 95-A
	SU 9141-A	Superior assembly	includes 4 bearings
Please see pages 4-5 for a complete listing of wheels.			
5	CR 065081-021	Bearing	4 required
6	CR 100463	Spacer	2 required
7	CR 060030-050	Flatwasher	2 required
8	CR 060000-081	Roll pin	
9	CR 115509	Exit roller axle	
10	CR 115508	Exit roller	
11	CR 065117-003	Bushing	
12	CR 060000-036	Roll pin	
13	CR 115510	Frame pivot axle	
14	CR 065117-001	Bushing	
15	CR 060030-050	Flatwasher	
16	CR 115496	Tension bar axle	
17	CR 060000-109	Roll pin	
18	CR 115497	Tension bar end	
19	CR 089297	Lube fitting	
20	CR 089296	Lube tip	
21	CR 060021-096	Nut	
22	CR 060021-095	Jam nut	

**Riser Assembly - 9" and 10" Forks - Dual Wheels**

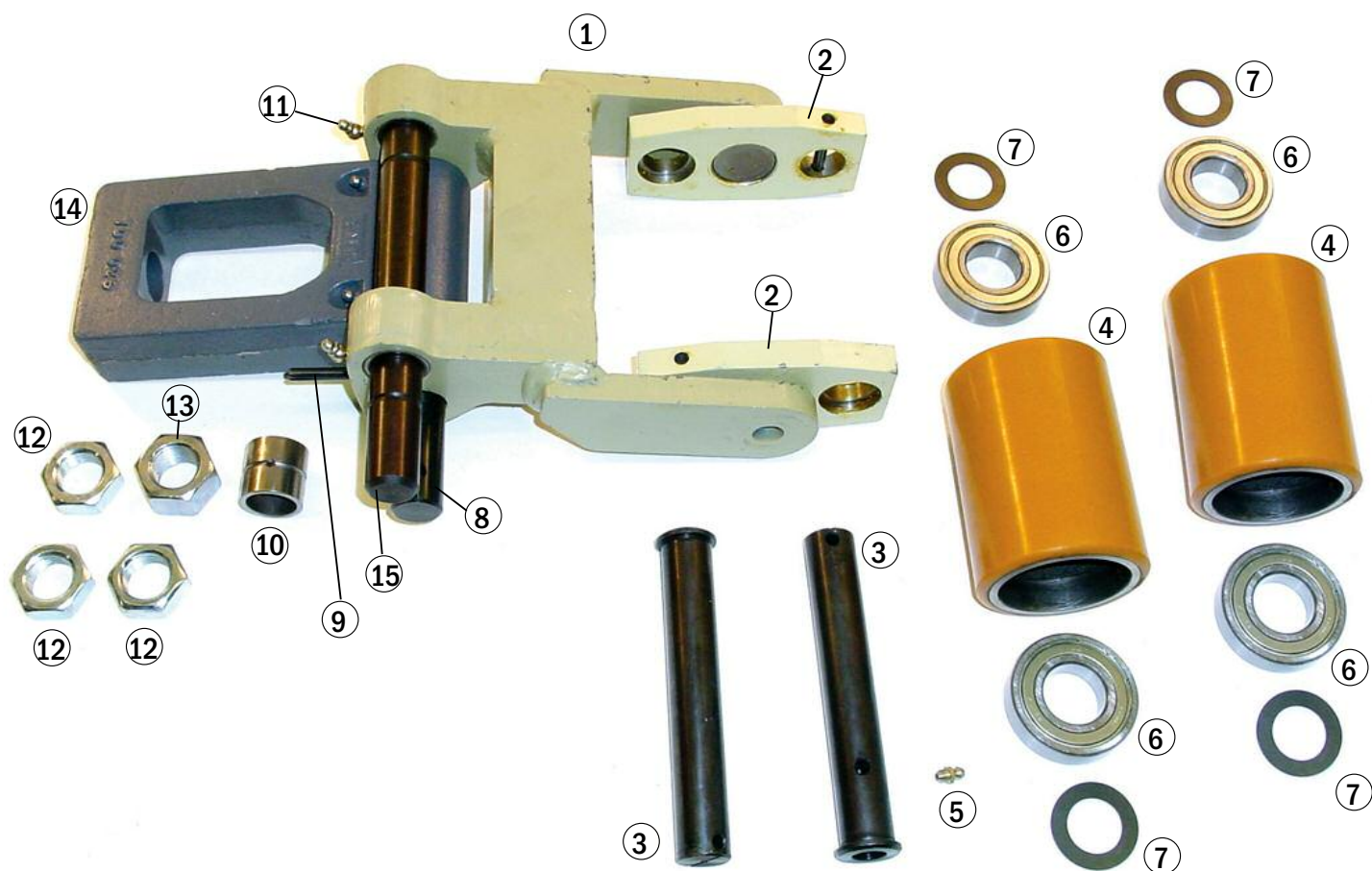


**Riser Assembly - 9" and 10" Forks - Dual Wheels**

Item	Part No.	Description	Application
1	CR 115491	Riser	
2	CR 116802	Load roller axle	
3	CR 100779	Lube fitting	
4	CR 077084	Poly load wheel	Dual load wheel
	GW 9133	Generic	Poly, 95-A
	GW 9133-A	Generic assembly	includes bearings
	SU 9133	Superior	Poly, 95-A
	SU 9133-A	Superior assembly	includes bearings
Please see pages 4-5 for a complete listing of wheels.			
5	CR 065081-021	Bearing	4 required
6	CR 100463	Spacer	
7	CR 060030-050	Flatwasher	2 required
8	CR 060000-081	Roll pin	
9	CR 115509	Exit roller axle	
10	CR 115508	Exit roller	
11	CR 065117-003	Bushing	
12	CR 060000-036	Roll pin	
13	CR 115510	Frame pivot axle	
14	CR 065117-001	Bushing	
15	CR 060030-050	Flatwasher	
16	CR 115496	Tension bar axle	
17	CR 060000-109	Roll pin	
18	CR 115497	Tension bar end	
19	CR 089297	Lube fitting	
20	CR 089296	Lube tip	
21	CR 060021-096	Nut	
22	CR 060021-095	Jam nut	



**Riser Assembly - 9" and 10" Forks - Tandem Wheels**



**Riser Assembly - 9" and 10" Forks - Tandem Wheels**

Item	Part No.	Description	Application
1	CR 116793	Riser	Tandem
2	CR 101697	Side plate	2 required
3	CR 116802	Load roller axle	
4	CR 077084	Poly load wheel	Tandem
	GW 9135	Generic	Poly 95-A
	GW 9135-A	Generic assembly	includes bearings
	SU 9135	Superior	Poly 95-A
	SU 9135-A	Superior assembly	includes bearings
Please see pages 4-5 for a complete listing of wheels.			
5	CR 100779	Lube fitting	
6	CR 065081-021	Bearing	2 required per wheel
7	CR 060030-050	Flatwasher	2 required
8	CR 115496	Axle	Tension bar
9	CR 060000-109	Roll pin	
10	CR 065117-001	Bushing	
11	CR 089297	Lube fitting	
12	CR 060021-096	Nut	
13	CR 060021-095	Jam nut	
14	CR 115497	Tension bar end	
15	CR 115510	Axle	frame pivot axle

**Riser Assembly - 7" Forks - Tandem Wheels**

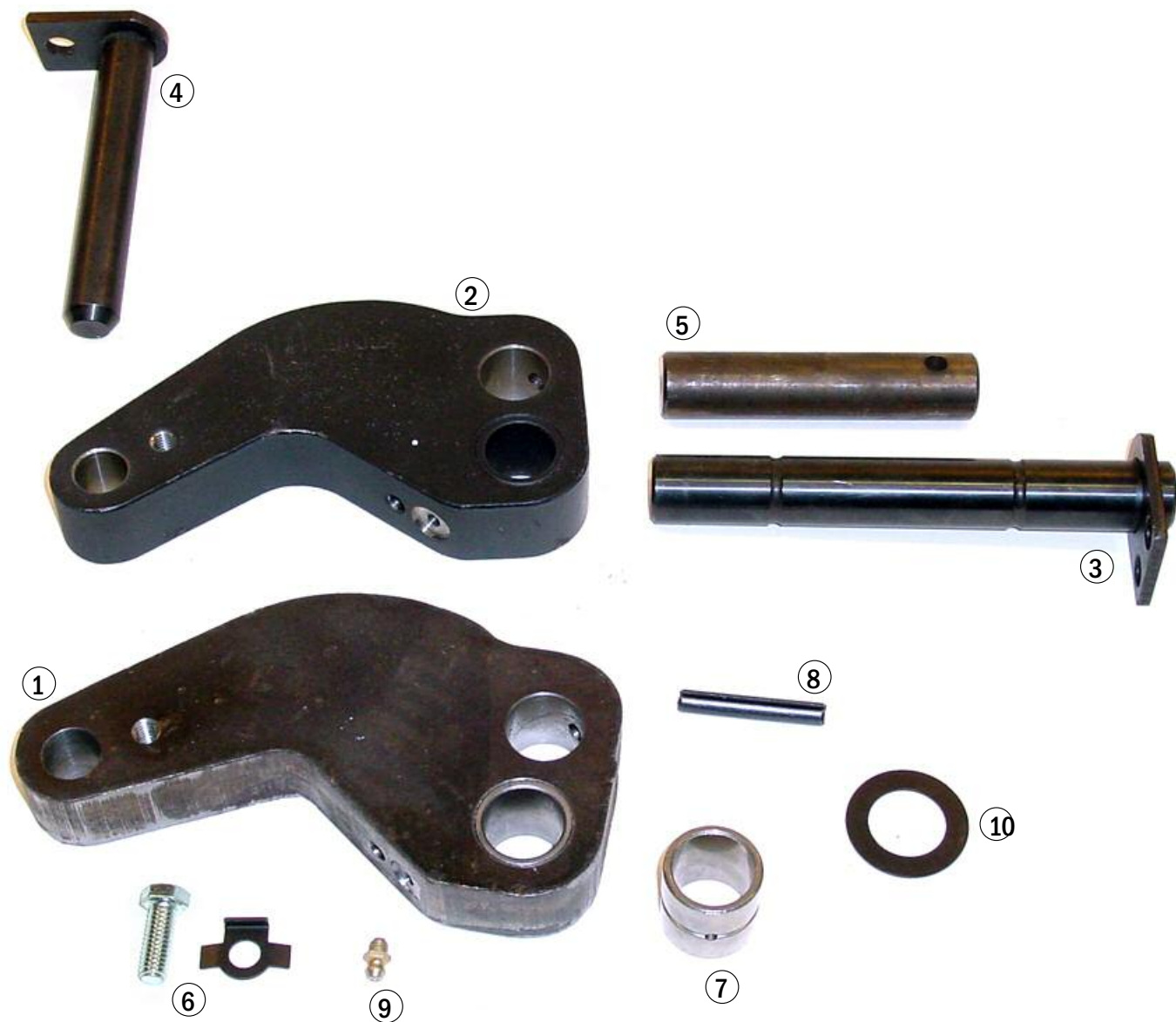


**Riser Assembly - 7" Forks - Tandem Wheels**

Item	Part No.	Description	Application
1	CR 93306	Riser	
2	CR 116993	Axle	
3	CR 116996	Axle	
4	CR 111629	Side plate	
5	CR 060000-081	Roll pin	
6	CR 116994	Axle	
7	CR 77084	Poly load wheel	Dual Poly 95-A
	GW 9133	Generic	
	GW 9133-A	Generic assembly	includes bearings
	SU 9133	Superior	Poly, 95-A
	SU 9133-A	Superior assembly	includes bearings
(see pages 4 and 5 for complete list of available load wheels)			
8	CR 65081-021	Bearing	2 required per wheel
9	CR 060030-050	Flatwasher	2 required per wheel



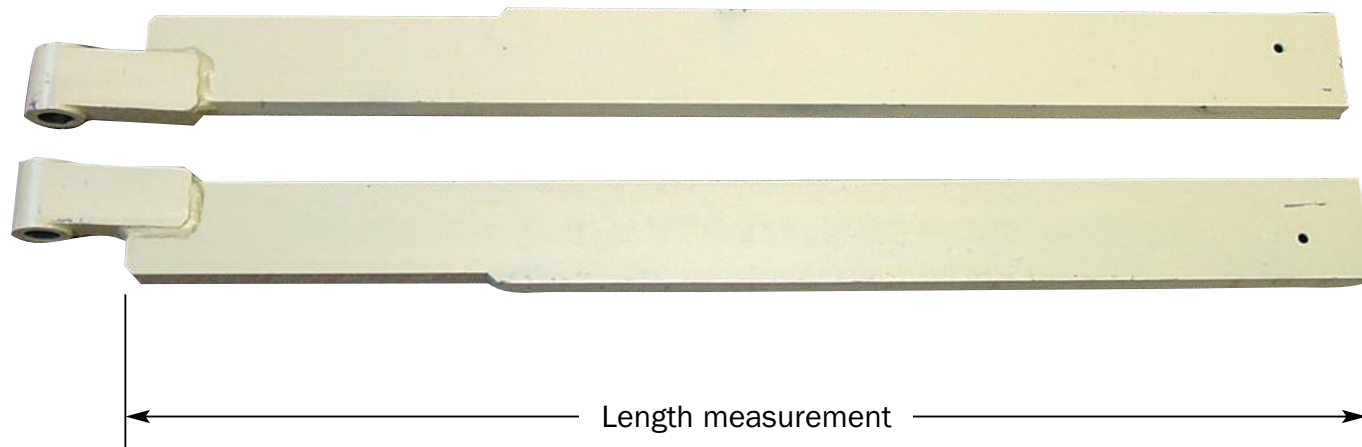
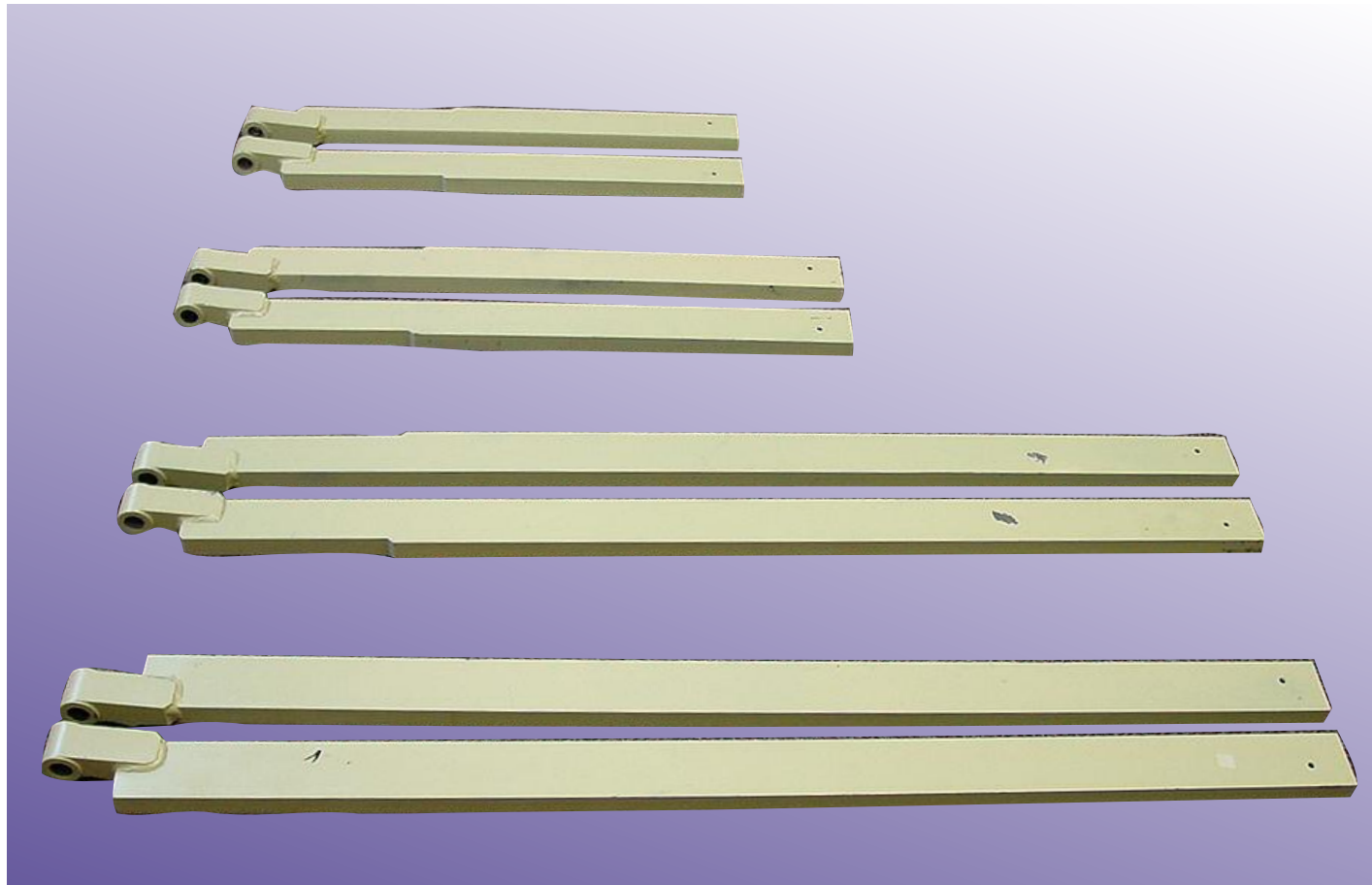
**Rear Linkage**



**Rear Linkage**

Item	Part No.	Description	Application
1	CR 115516	Inboard link	includes bushing
2	CR 115517	Outboard link	includes bushing
3	CR 115518	Axle	
4	CR 115521	Shaft	
5	CR 115515	Pivot axle	
6	CR 127349	Clip	
	CR 060017-007	Screw	
7	CR 065117-001	Bushing	
8	CR 060000-109	Roll pin	
9	CR 076048	Lube fitting	
10	CR 060030-050	Flatwasher	

**Tension Bars**



**Tension Bars**

Fork Length	Tip Type	Fork Spread	Bar Length		Part #
<b>Single Axle, 13.19" wide battery compartment, 24V</b>					
42"	Standard	22.12" or 27.12"	29.75"	Right	125237-013
				Left	125237-014
48"	Standard	22.12" or 27.12"	35.75"	Right	125237-019
				Left	125237-020
96"	Extended	23" or 28"	55.75"	Right	125237-079
				Left	125237-080
96"	Extended	24" or 27"	55.75"	Right	125237-081
				Left	125237-082



1 Threaded bar

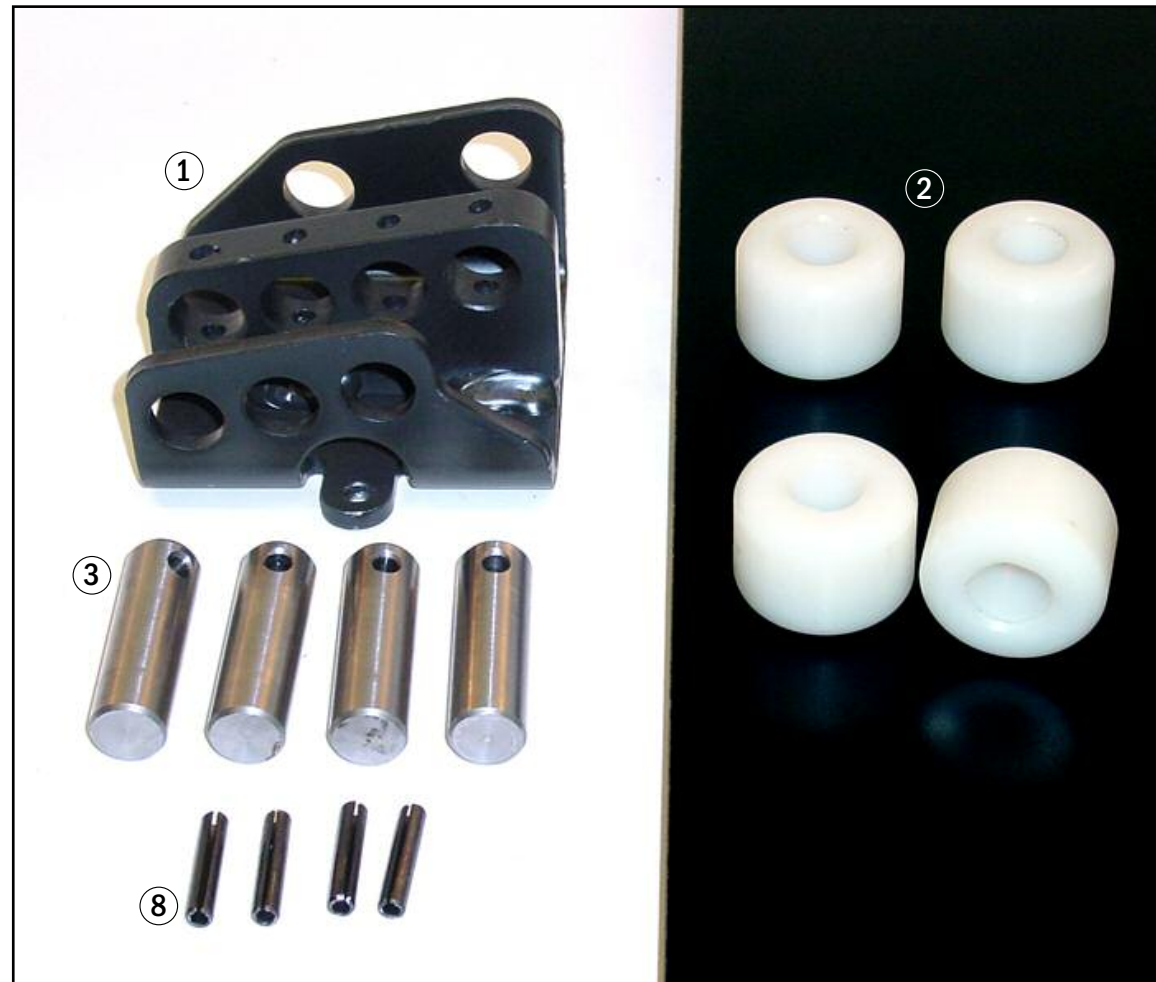


2 Jam nut

Item	Part No.	Description	Application
1	CR 115883	Threaded bar	
2	CR 060021-095	Jam nut	



**Entry Rollers**

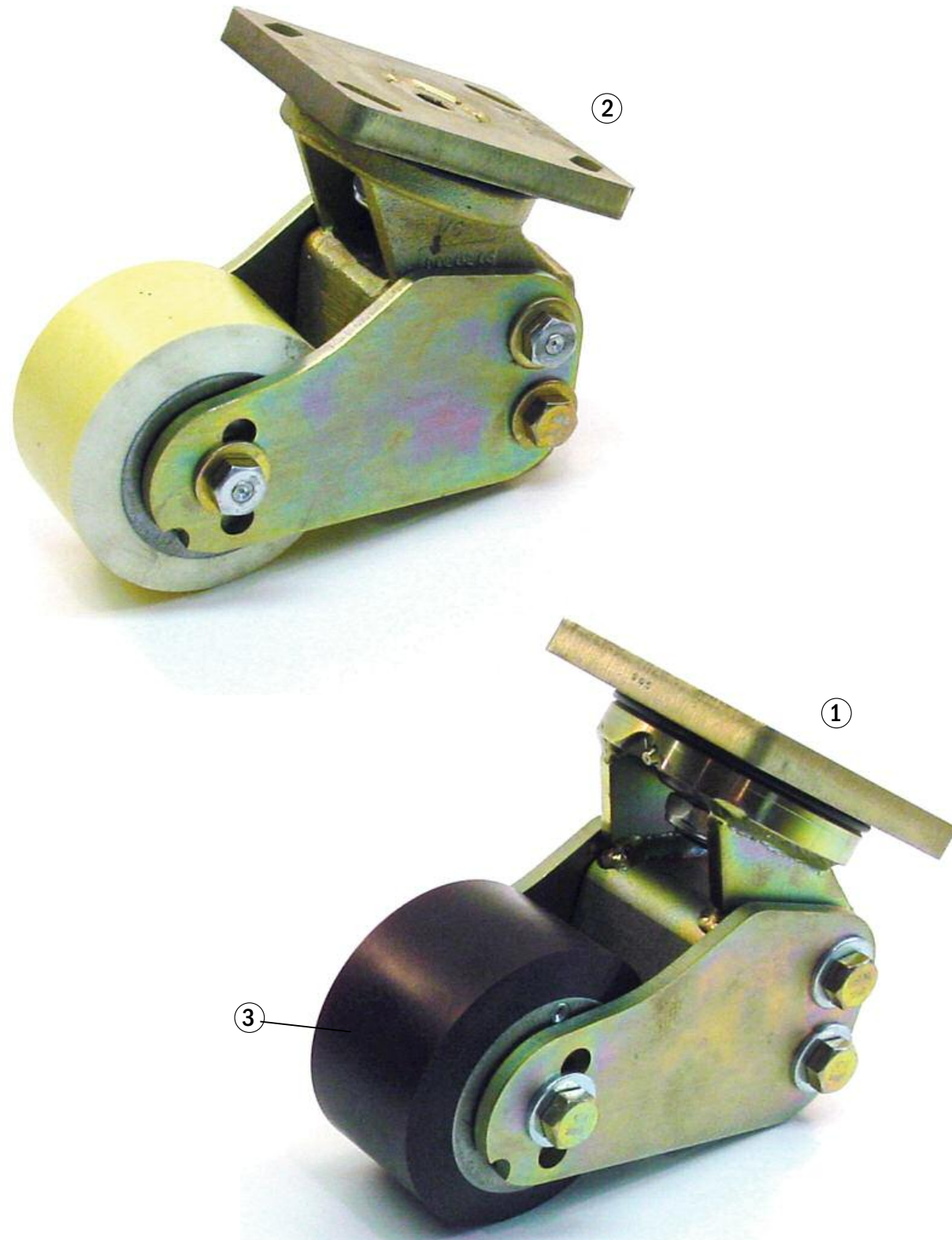


**Entry Rollers**

used on Standard Tip Forks only

Item	Part No.	Description	Application
1	CR 080194	Entry wheel bracket assy	standard tip forks only
2	CR 080192	Entry wheels	
3	CR 080191	Axle	
4	CR 060017-003	3/8" Screw	
5	CR 060005-038	Lockwasher	
6	CR 060038-006	Cotter pin	
7	CR 060030-049	Flat washer	
8	CR 060000-024	Roll pin	

**Casters - Standard**



**Casters - Standard**

Item	Part No.	Description	Application
1	CR 82694 STR 2001	Caster assembly Superior	Standard, 95-A
2	CR 82694 STR 2001FS	Caster assembly Superior	Food service, grease axle, 97-A
3	CR 83179 GW 9143-A	Caster wheel Generic	includes bearings, washers



**Casters - Quick Adjustment**



**Casters - Quick Adjustment**

Item	Part No.	Description	Application
1	CR 115374-001	Quick adjustment caster	with tension bar, set
2	CR 115374-002	Quick adjustment caster	w/o tension bar, set
3	CR 083179	Caster wheel assembly	
	GW 9143-A	Generic	includes bearings, washers
	CR 115368	Axle w/ lube fitting	Freezer/corrosion
	CR 060000-030	Roll pin	



888-999-7715  
[www.fastliftparts.com](http://www.fastliftparts.com)

**Crown GPW Series**



888-999-7715  
[www.fastliftparts.com](http://www.fastliftparts.com)